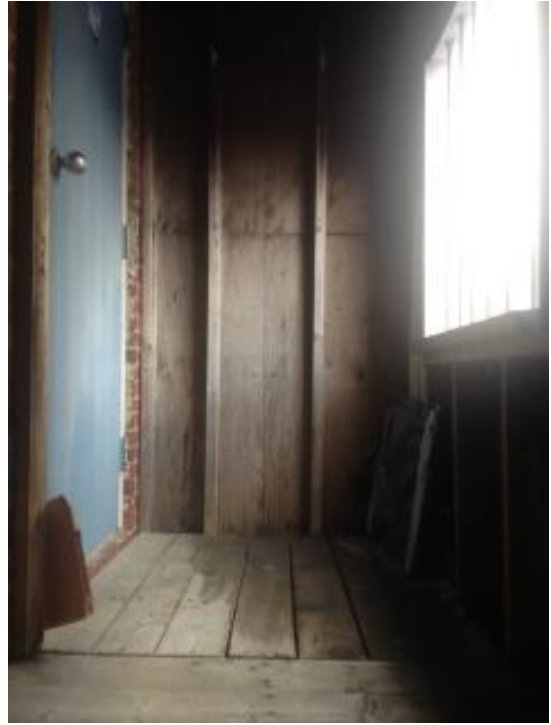




Pictures of the existing stairs – that lead down onto the Roof (stairs over 36" wide)



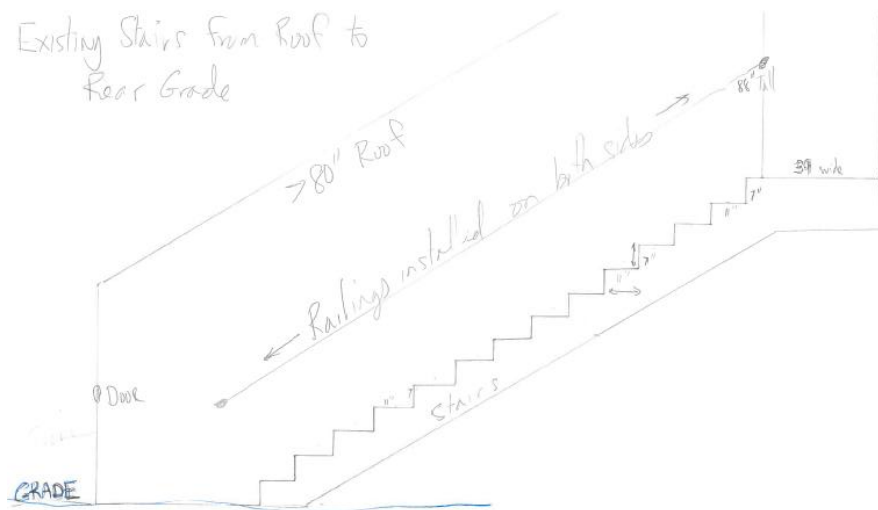
Entrance way onto the stairs that lead down to the rear yard / grass area:



Another view of the entrance way onto the stairs that lead down to the rear yard / grass area:



Two views of the stairs that lead OFF the roof and down to the rear yard area (stairs over 36" wide)

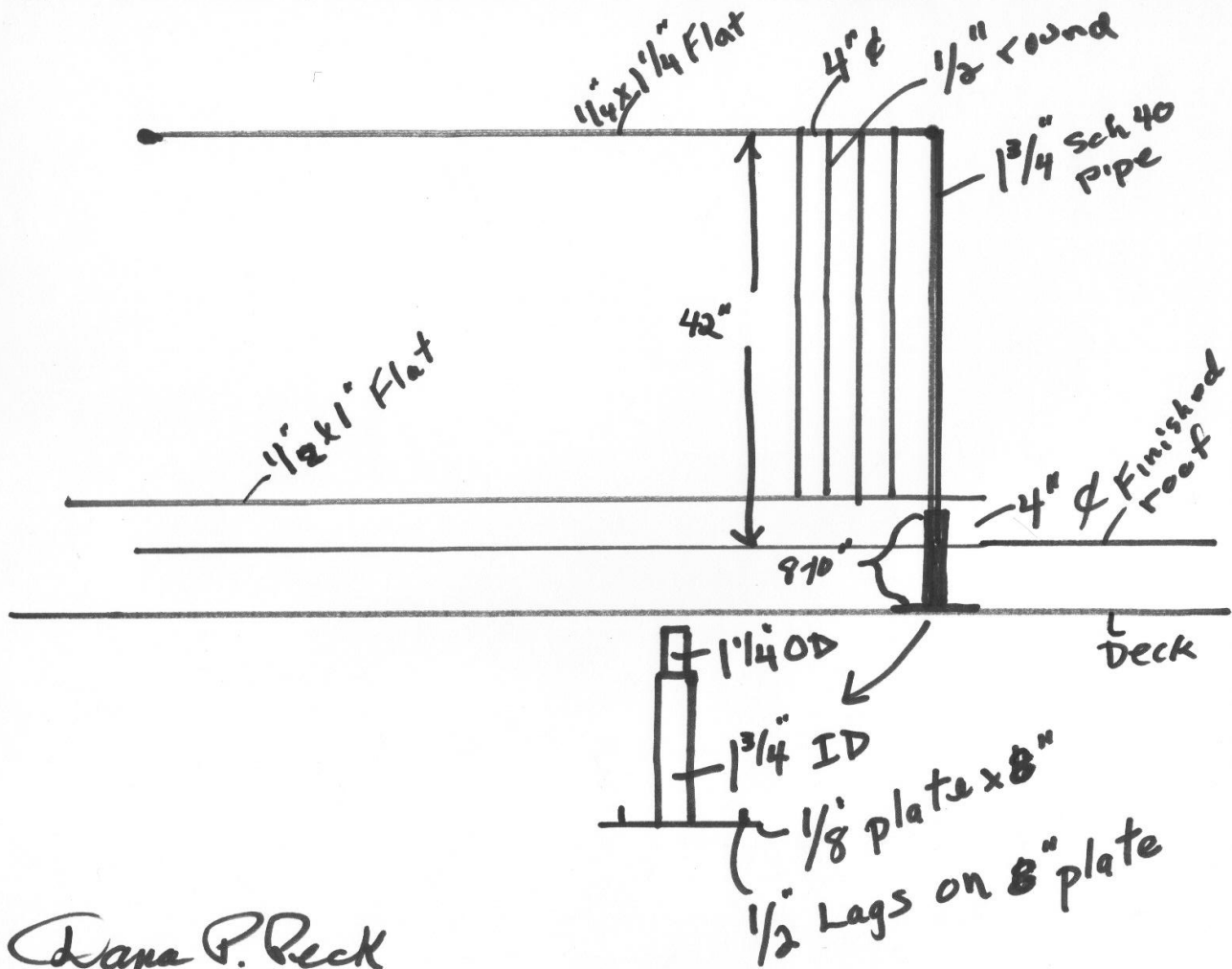


SIDE view of stairs off roof Deck to rear grade by North School

View of the rear yard area where the stairs exit -



Further detail on the railing from the company that will install it....



Dana P. Beck

Plot Plan - The Structure (dimensions below) takes up most of the lot

The Blue is the Building and Red is the approx location of the proposed railing

