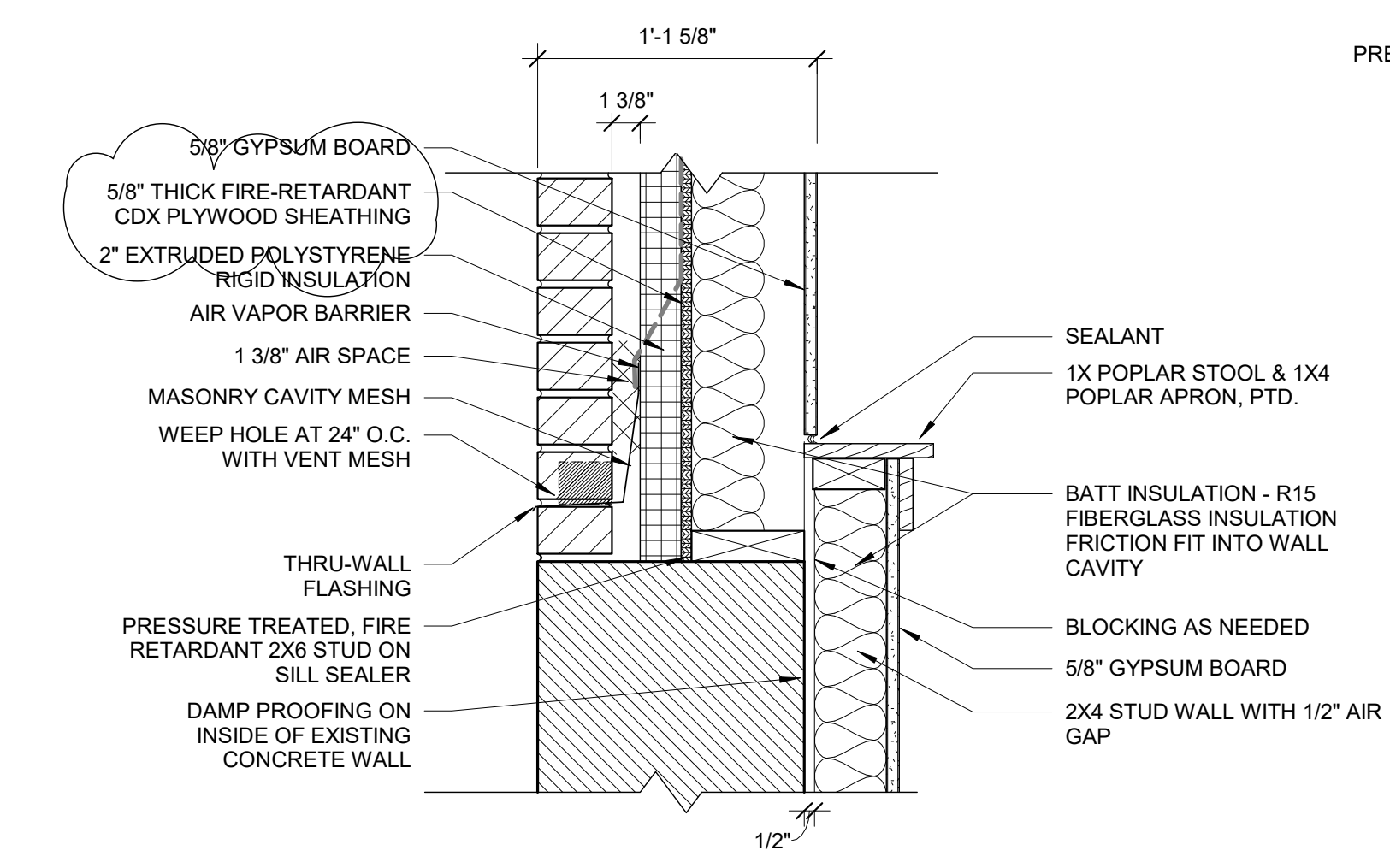
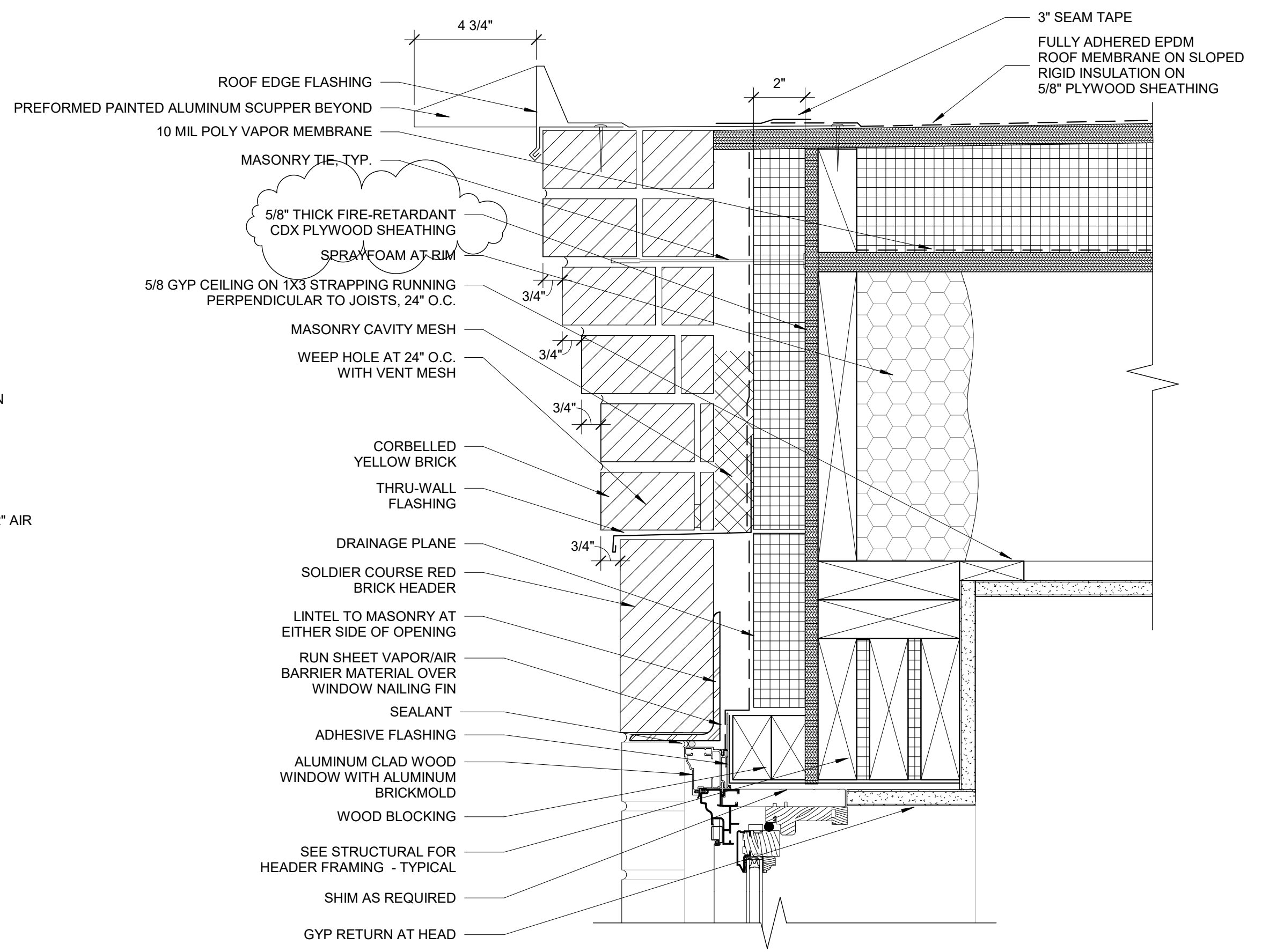


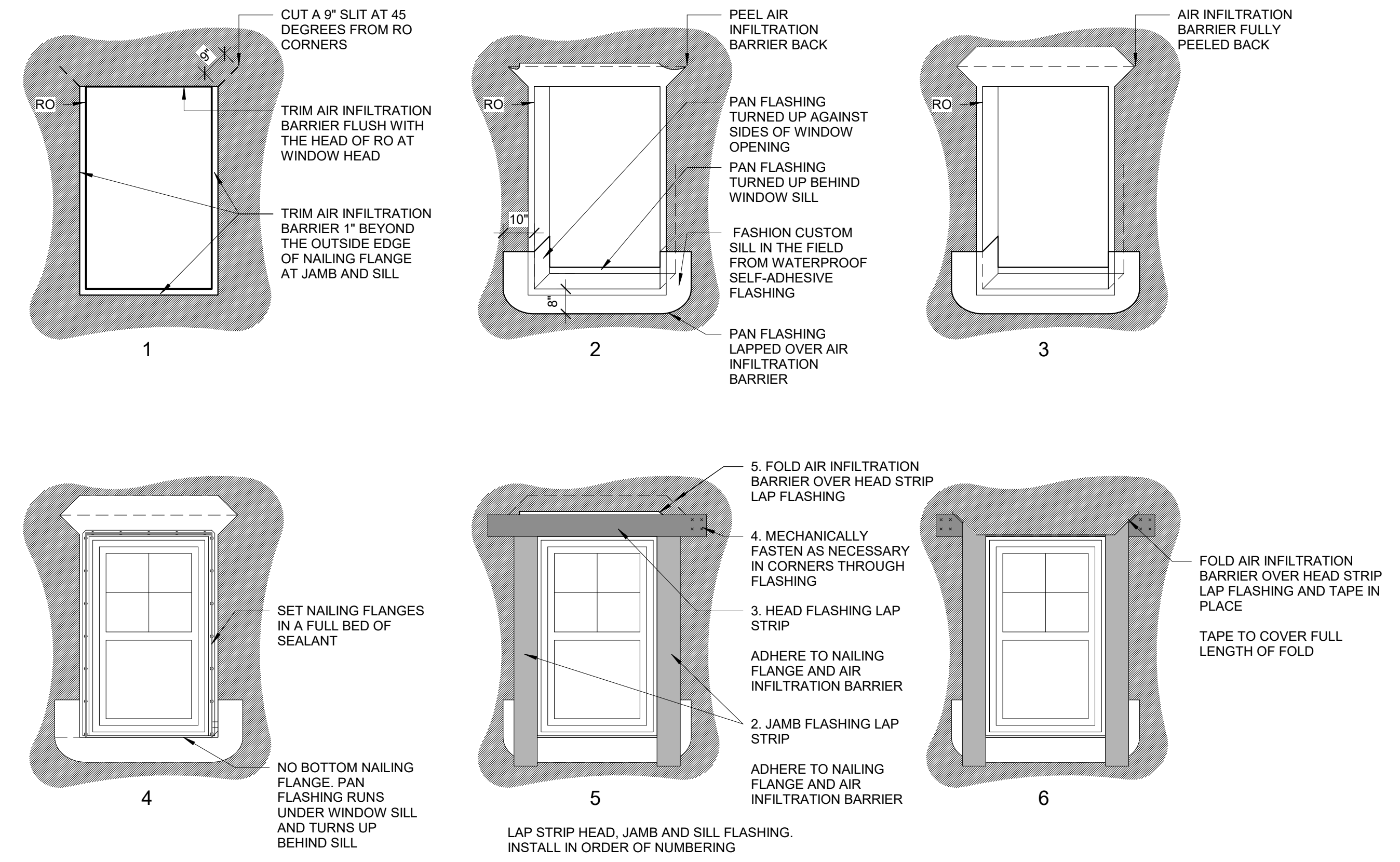
ALL WINDOWS TO BE ANDERSEN E-SERIES INSULATED LOW-E, ARGON FILLED WITH U FACTOR OF 0.30



6 | BRICK TO CONCRETE DETAIL
1 1/2" = 1'-0"



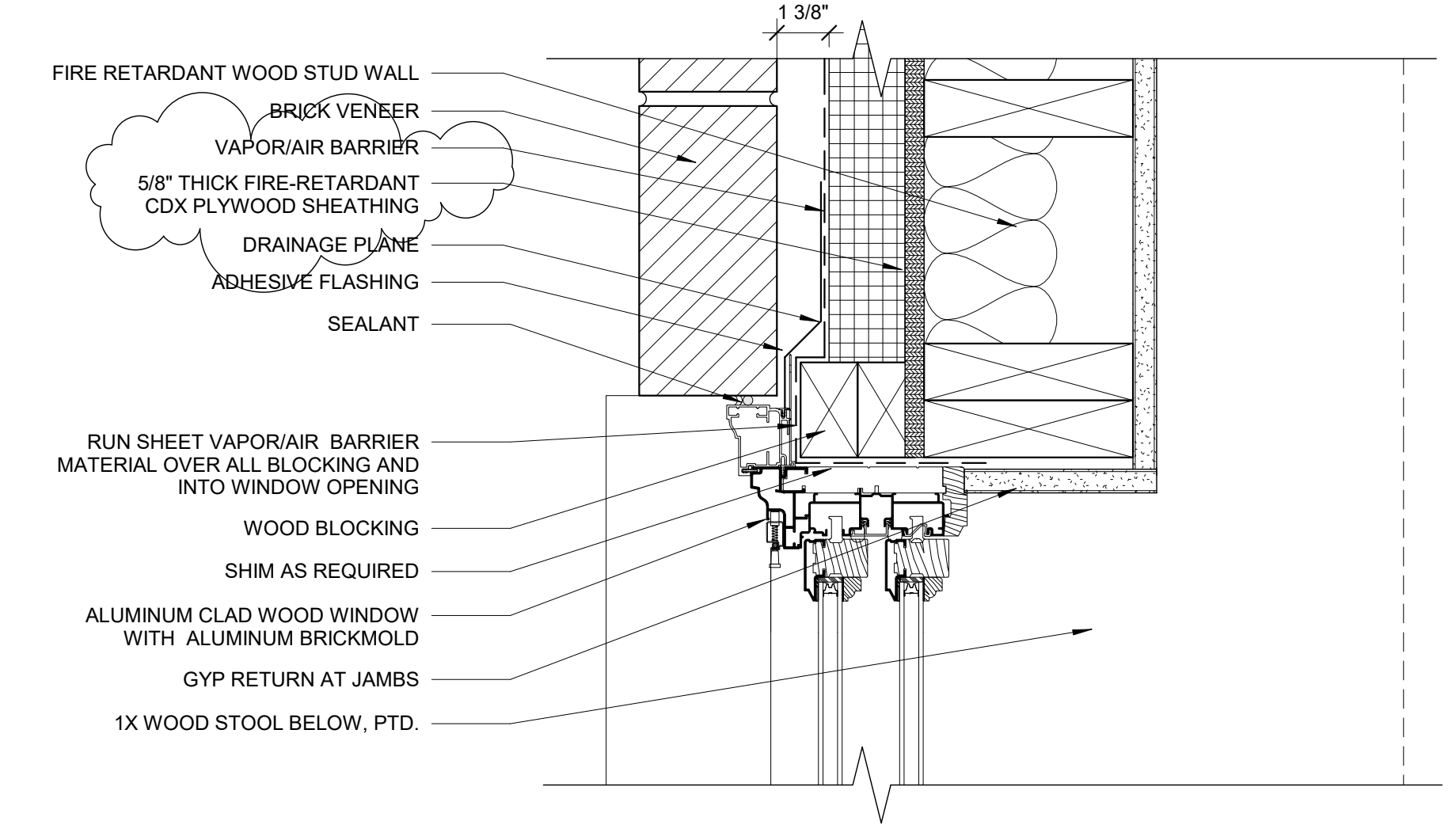
3 | WINDOW HEAD AND CORNICE DETAIL
3" = 1'-0"



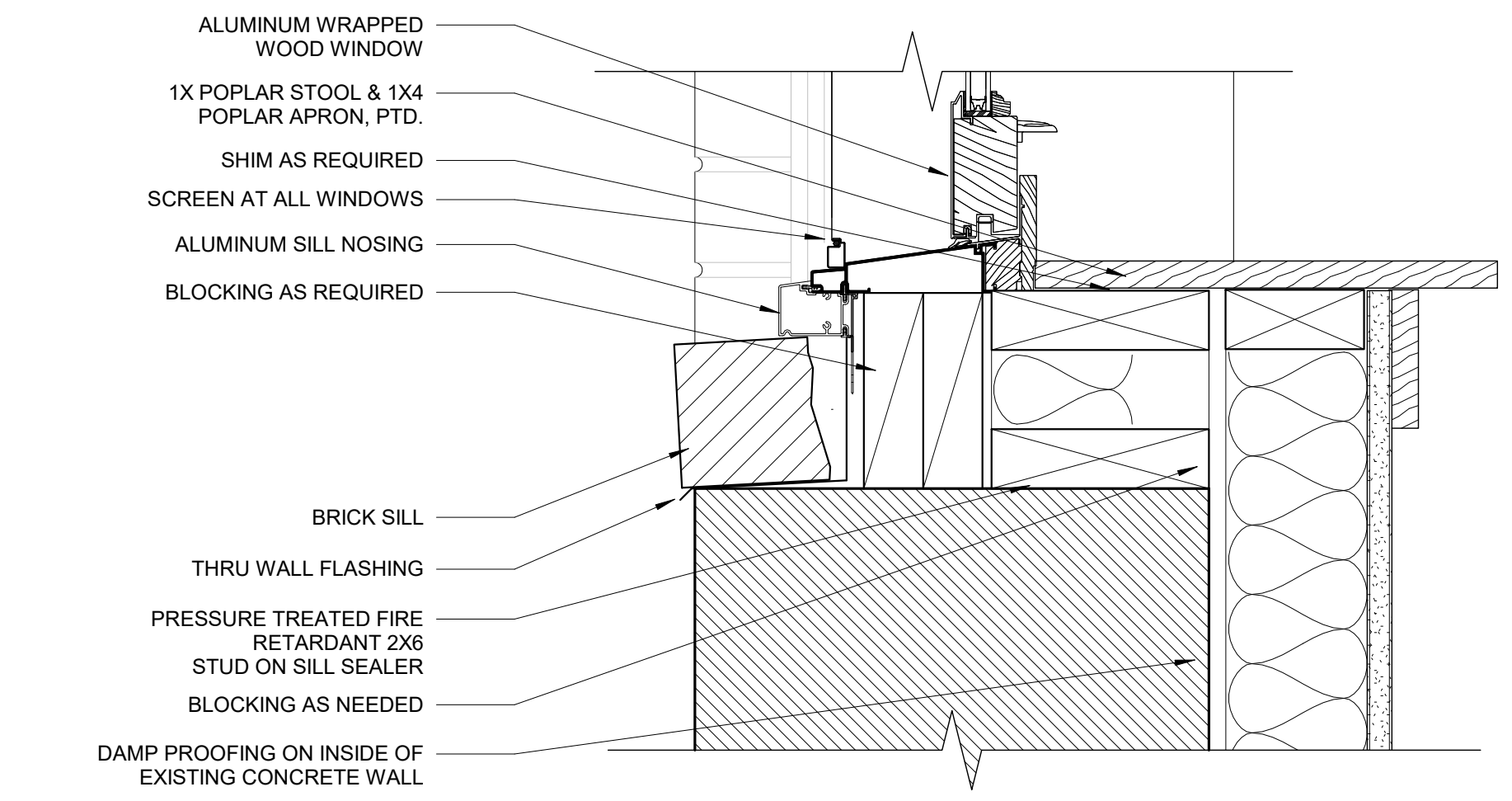
ORDER OF INSTALLATION OF WATER PROOFING AT WINDOWS. WATER PROOFING AT STOREFRONT AND DOORS USE STEPS 1-3

- NOTES:
1. INSTALL AIR INFILTRATION BARRIER IN ORDER AS SHOWN BY NUMBERS.
2. IF APPLICABLE, LEAVE RELEASE PAPER ON LOWER HALF OF SILL FLASHING UNTIL FUTURE TIE-IN.
3. INSTALL FLASHING AND AIR INFILTRATION BARRIER TO FORM WATER SHEDDING LAPS.
4. COORDINATE WITH FLASHING REQUIREMENTS OF WINDOW MANUFACTURER.
5. FOLLOW MANUFACTURER'S RECOMMENDATIONS FOR INSTALLATION.

7 | ORDER OF INSTALLATION OF WATERPROOFING AT WINDOWS
3/8" = 1'-0"



2 | WINDOW JAMB DETAIL
3" = 1'-0"



1 | WINDOW SILL DETAIL
3" = 1'-0"