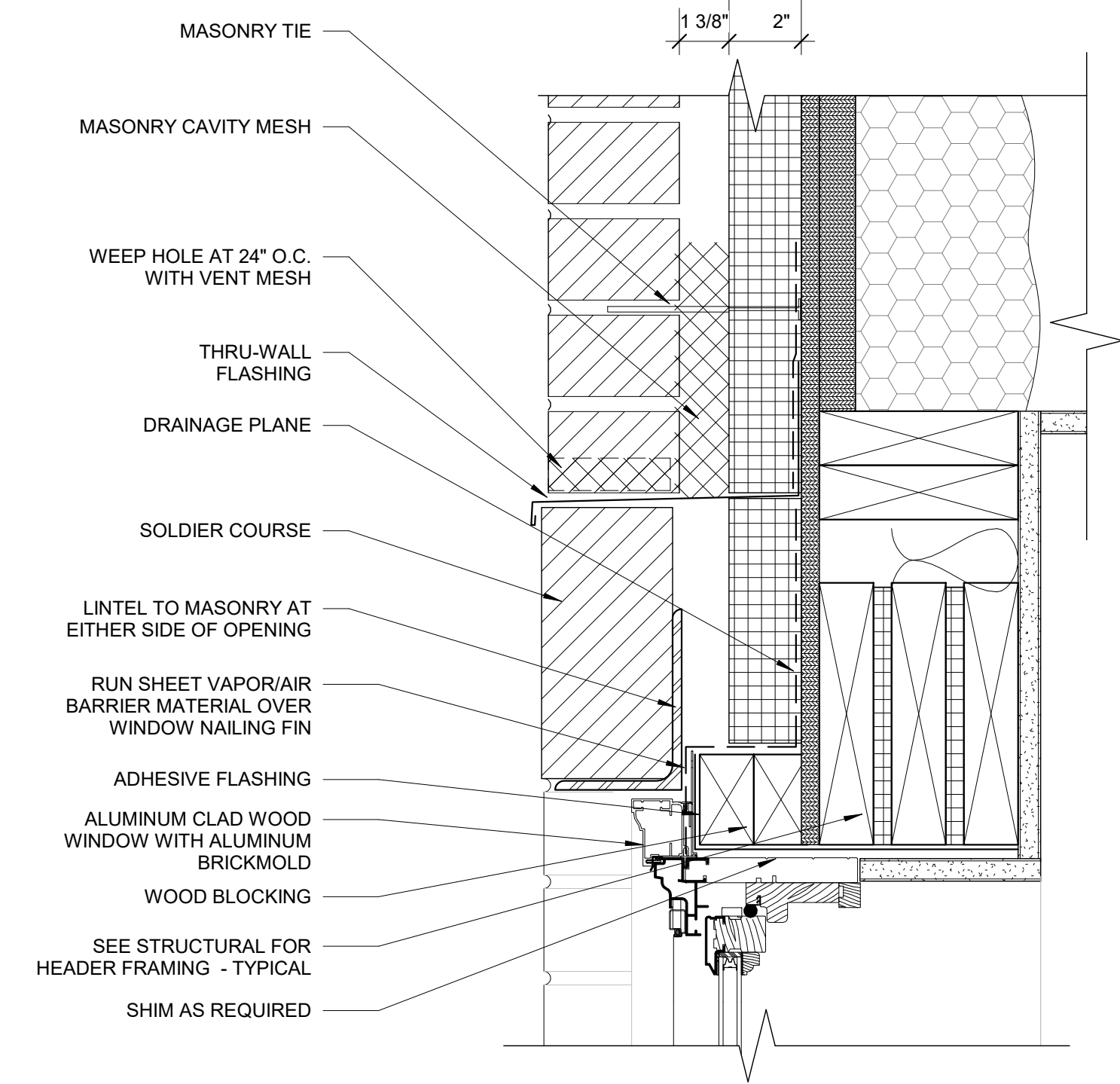
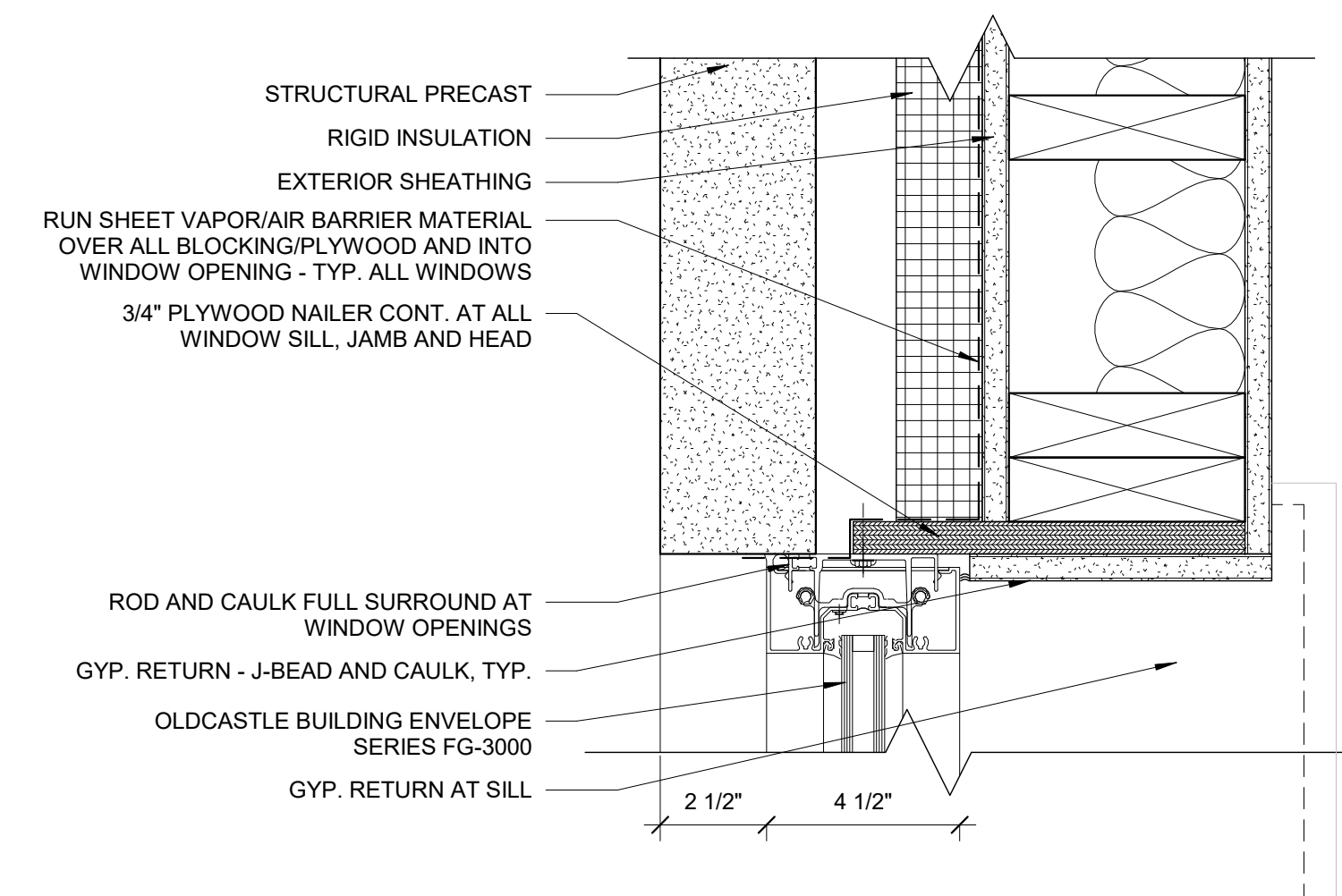


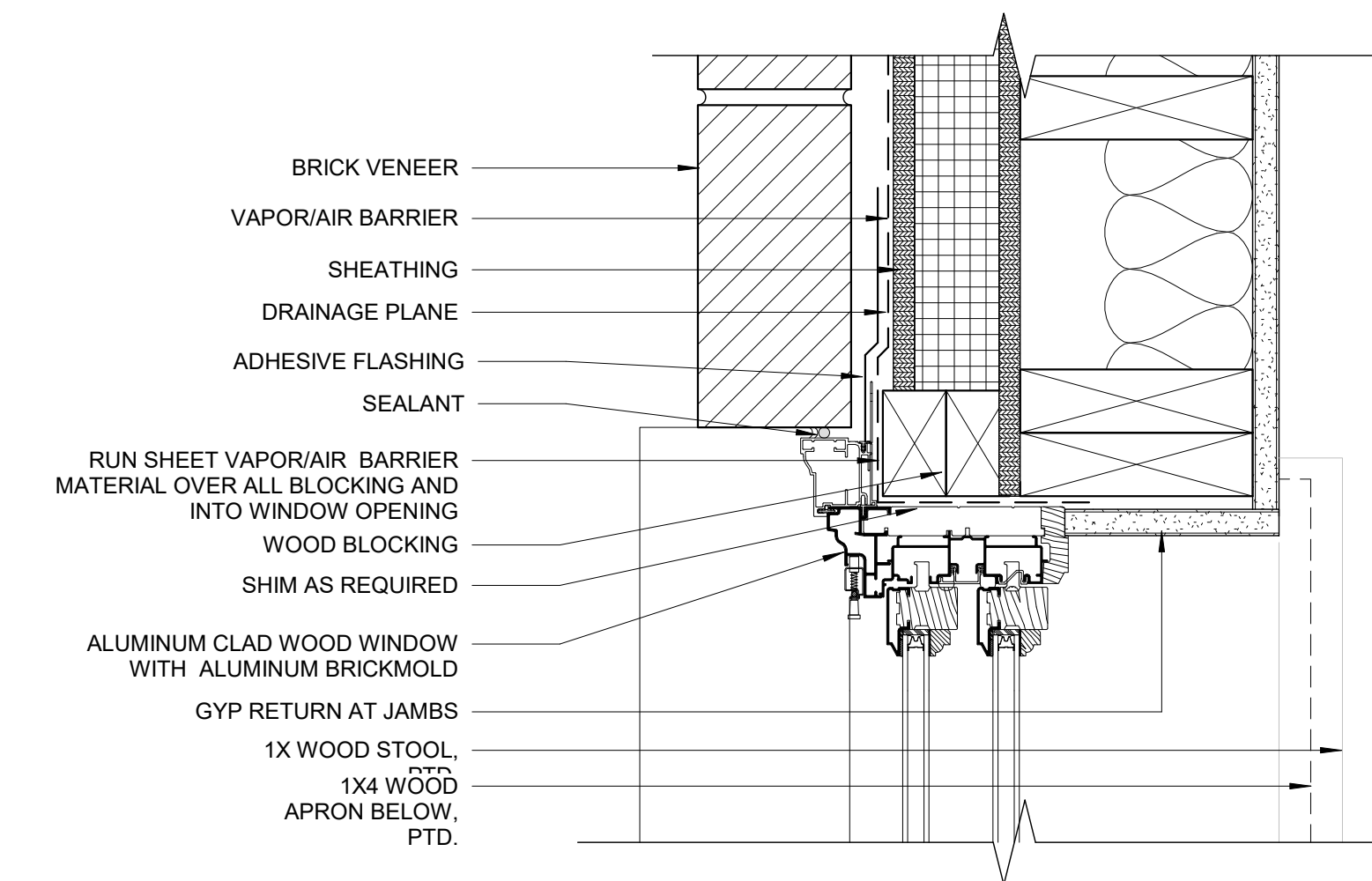
6 | TYP. WINDOW HEAD SECTION AT PRECAST WALL
3" = 1'-0"



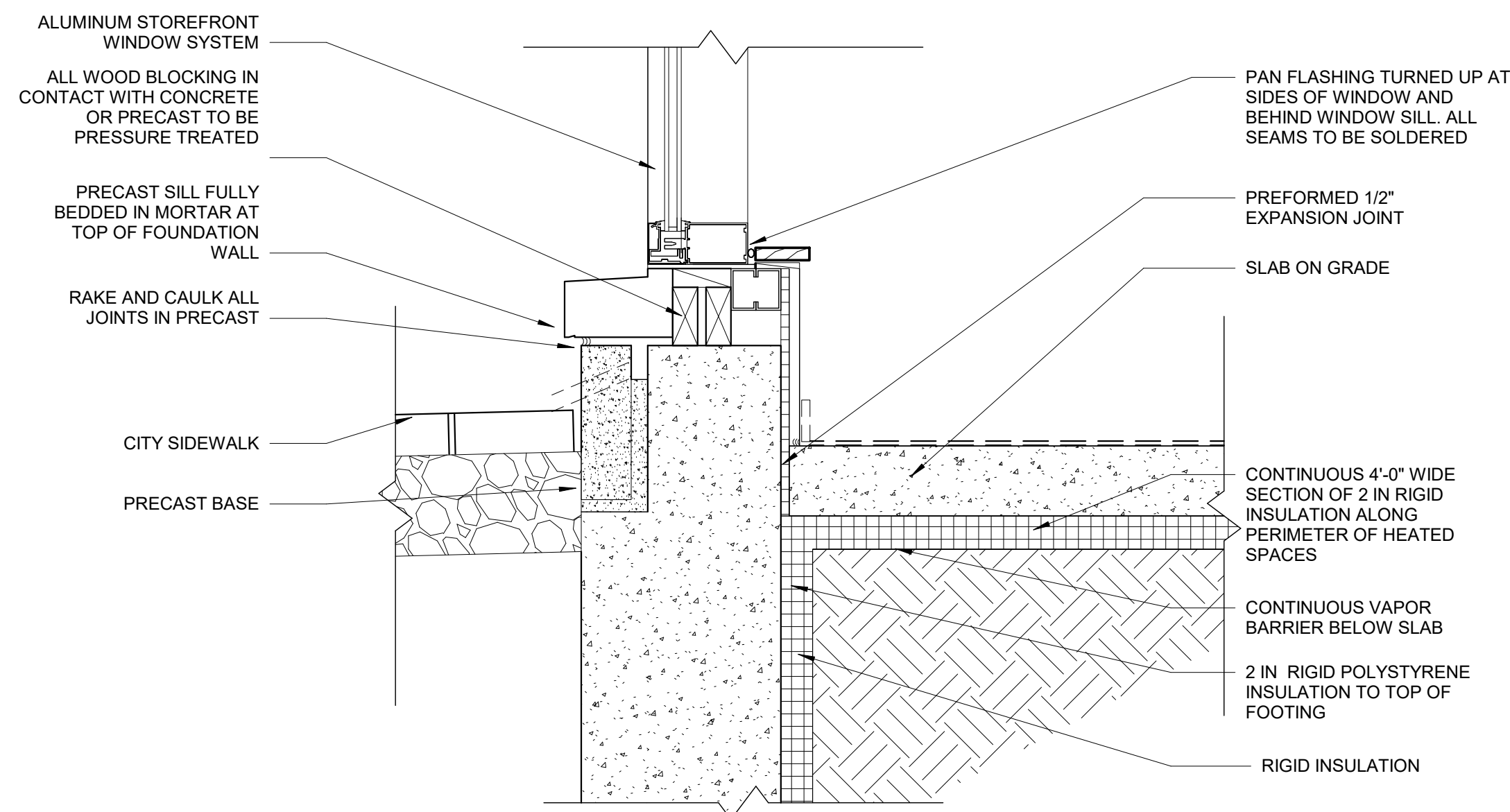
3 | WINDOW HEAD AT BRICK
3" = 1'-0"



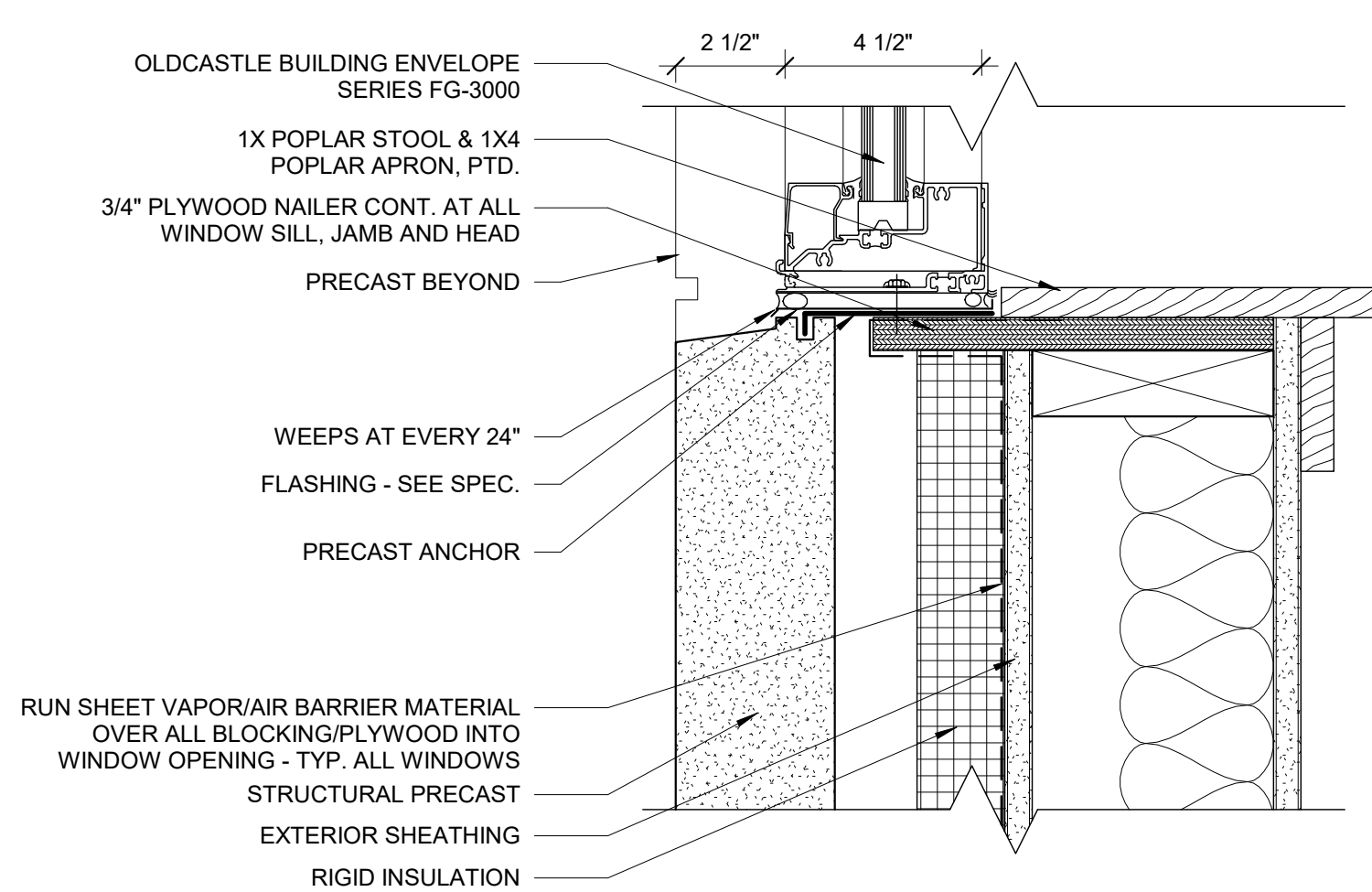
5 | TYP. WINDOW JAMB DETAIL AT PRECAST WALL
3" = 1'-0"



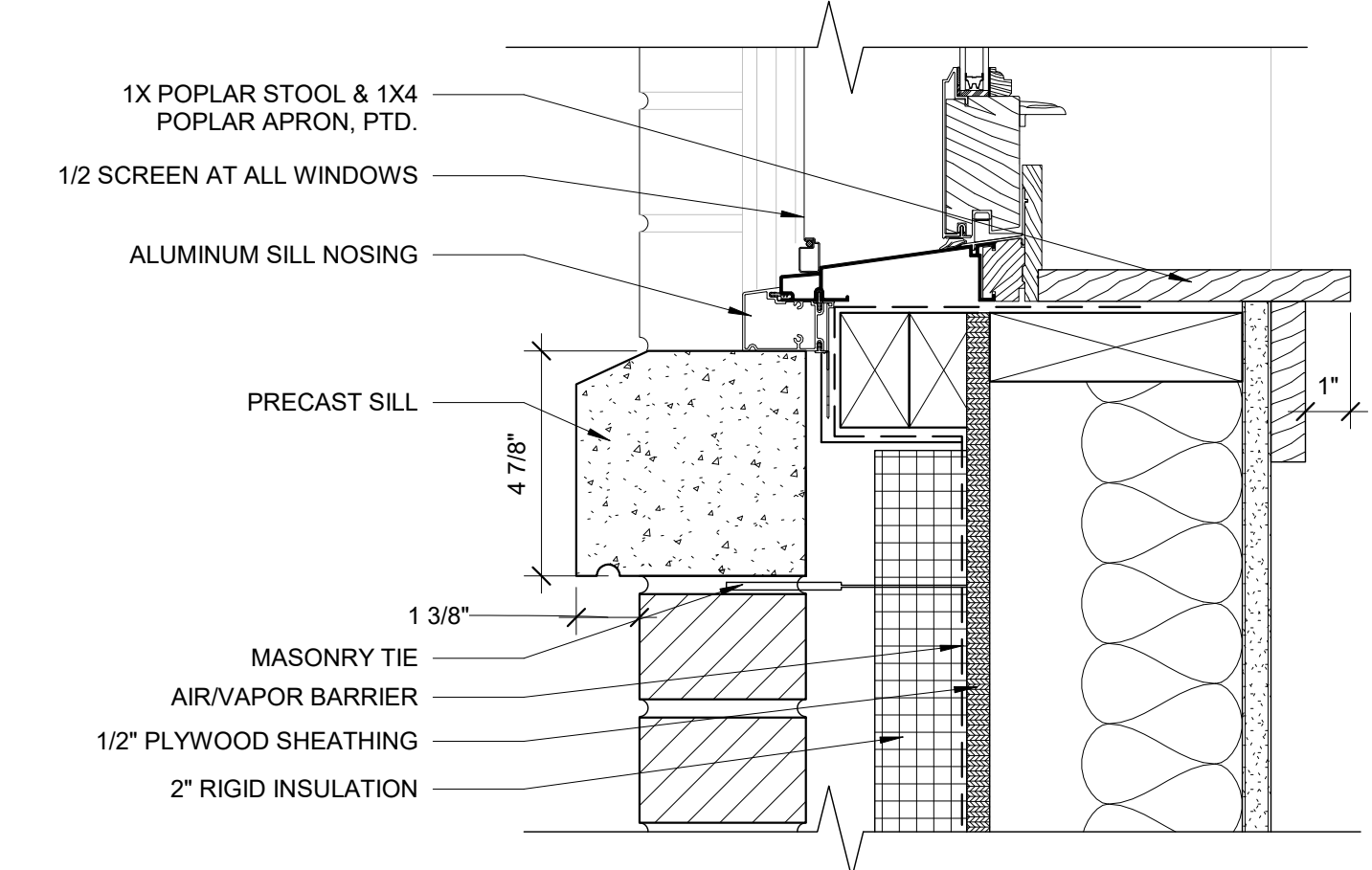
2 | WINDOW JAMB AT BRICK
3" = 1'-0"



7 | TYPICAL STOREFRONT SILL
1 1/2" = 1'-0"



4 | TYP. WINDOW SILL DETAIL AT PRECAST WALL
3" = 1'-0"



1 | WINDOW SILL AT BRICK
3" = 1'-0"

Prepared For: Owner

Consultant: ARCHETYPE architects
48 Union Wharf Portland, Maine 04101
(207) 772-6022 ARCHETYPE@ARCHETYPEPA.COM

Project: THAMES STREET BUILDING
20 Thames Street, Portland Maine

Revisions: Date: JAN. 27, 2017 Scale: As indicated
WINDOW AND STOREFRONT DETAILS

A5.00