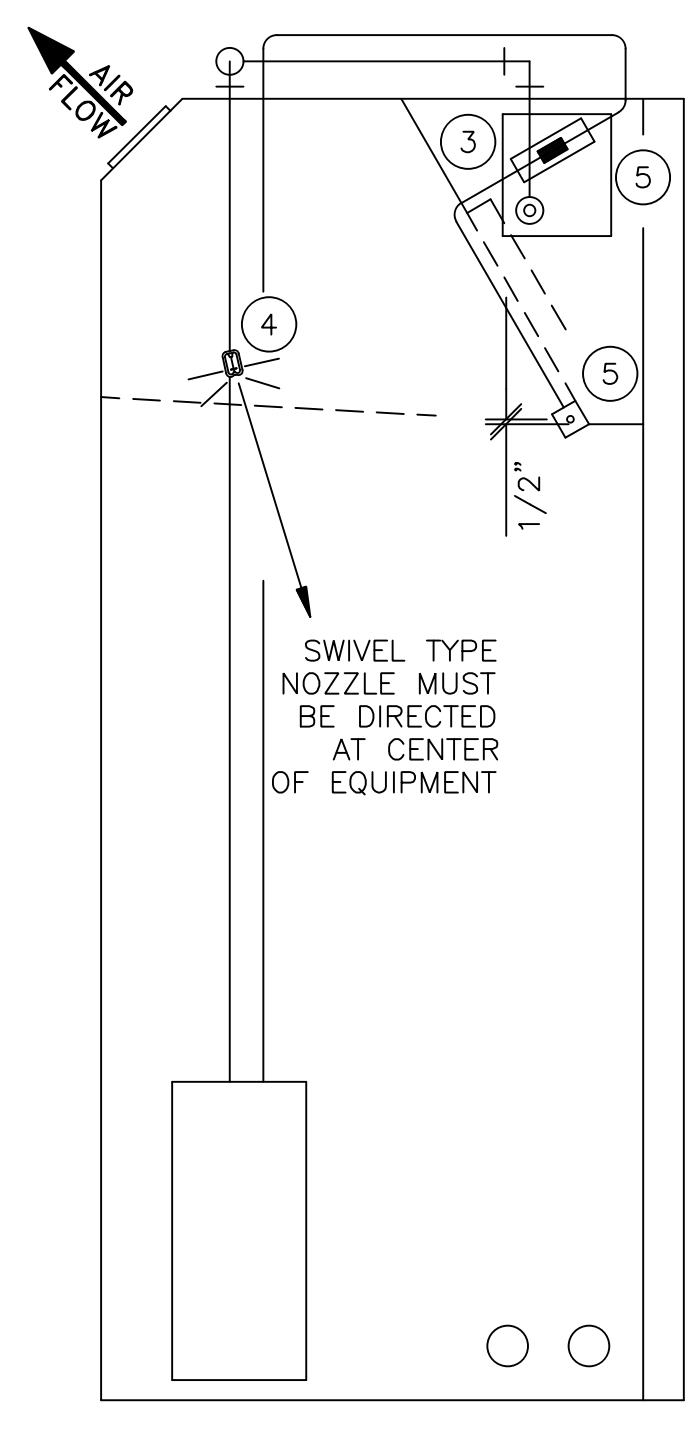


KVS-8-L FIRE SUPPRESSION SYSTEM COMPONENTS

LEGEND	
①	ANSUL R-102 SUPPLY : (6 GALLONS - DOUBLE TANK (2-3 GALLON) = 22 FLOW POINTS)
②	(2)FILTER BOX PROTECTION NOZZLES (1/2N TYPE) ANSUL #56929 - 1/2 FLOW POINT EACH
③	(1)PLENUM PROTECTION NOZZLE (N TYPE) ANSUL #56930 - 1 FLOW POINT EACH
④	(8) APPLIANCE PROTECTION NOZZLES (INS SWIVEL TYPE) ANSUL #415566 - 1 FLOW POINT EACH
⑤	165° FUSIBLE LINK - ANSUL #415739



NOTE:
FIRE PROTECTION SYSTEM IS ENGINEERED, SIZED, AND SUPPLIED AS INTEGRAL PART OF THE KVS AND ITS LISTING (UL FILE #MH17853).

CLASS "K" EXTINGUISHER, WITH APPROVED PLACARD, WILL BE PROVIDED WITHIN 30 FEET OF HAZARD AREA.
ALL HAND HELD EXTINGUISHERS ARE TO BE SUPPLIED AND INSTALLED BY OTHERS.

THIS DRAWING MUST BE CHECKED, SIGNED AND RETURNED TO THE APPROPRIATE FACTORY. PLEASE VERIFY THE FOLLOWING:
1. ALL DIMENSIONAL INFORMATION, MOUNTING POSITION AND CLEARANCES.
2. THE LOCATION AND TYPE OF COOKING EQUIPMENT.
NOTE TO APPROVER
ANY CHANGES IN COOKING EQUIPMENT SUCH AS INCREASED ENERGY INPUTS OR EQUIPMENT POSITION MAY AFFECT EXHAUST AIRFLOW. HALTON MUST BE NOTIFIED IN ANY OF THESE CHANGES OCCUR. A RECALCULATION EXHAUST AIRFLOW MAY BE REQUIRED. A REVISION AND RESUBMIT APPROVED FOR FABRICATION
 WITH NO CHANGES WITH CHANGES AS NOTED



MAIL APPROVED DRAWINGS TO APPROPRIATE FACTORY BELOW:

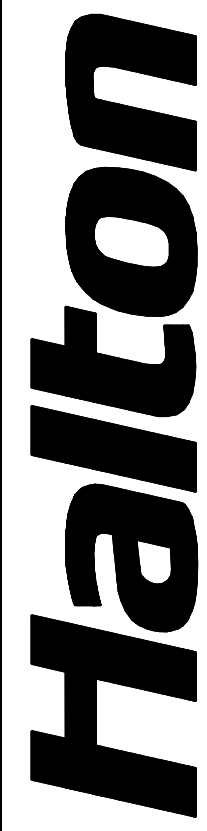
HALTON CO. (CANADA) 1021 BREVIK PLACE MISSISSAUGA, ON L4W 3R7 1-905-624-0301	<input checked="" type="checkbox"/>	HALTON CO. (USA) 101 INDUSTRIAL DRIVE SCOTTSDALE, KY 42164 1-270-237-5600	<input type="checkbox"/>
---	-------------------------------------	--	--------------------------

REVISION DESCRIPTION

REV.	REVISION DESCRIPTION	BY	DATE

WEBSITE: WWW.HALTONCOMPANY.COM

PROJECT: AC MARRIOTT
LOCATION: PORTLAND, ME
DRAWN BY: RB DATE: 11/15/16
SCALE: NOT TO SCALE
CONSULTANT:



DRAWING No.: U16-761

DRAWING TITLE: KVS-8-L

REV. No.: 0 SHEET No.: 2 of 2

APPROVED BY: _____ DATE: _____