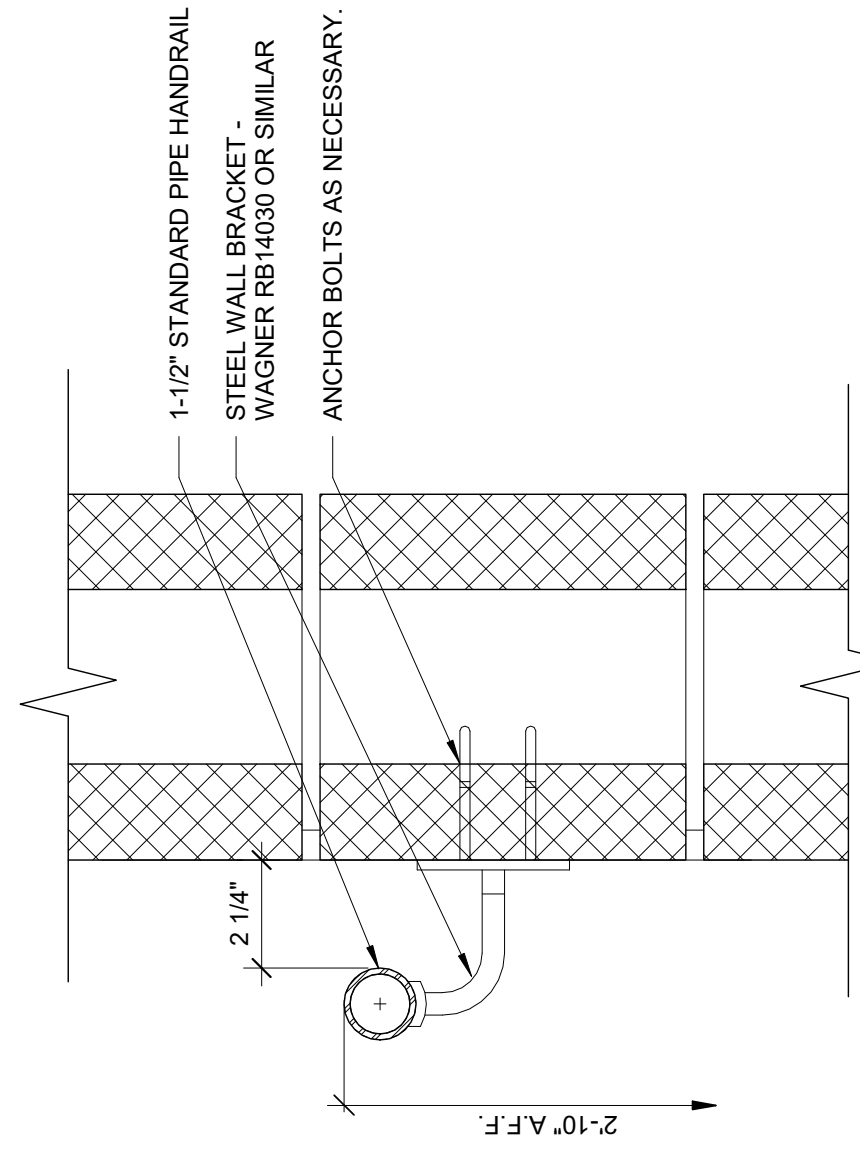
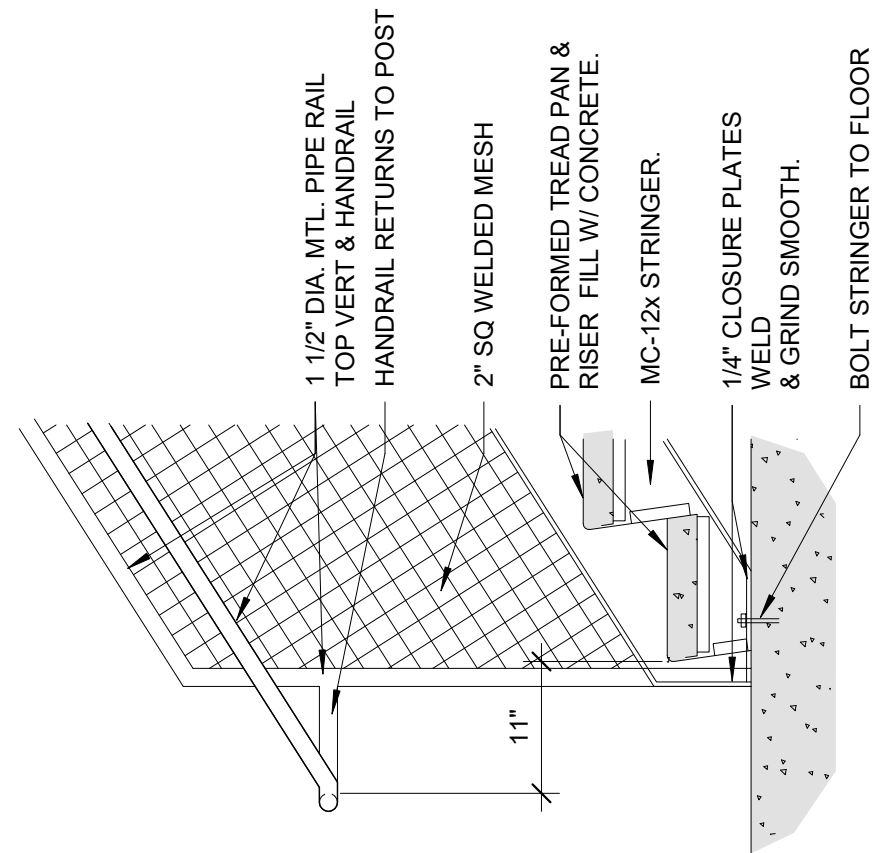


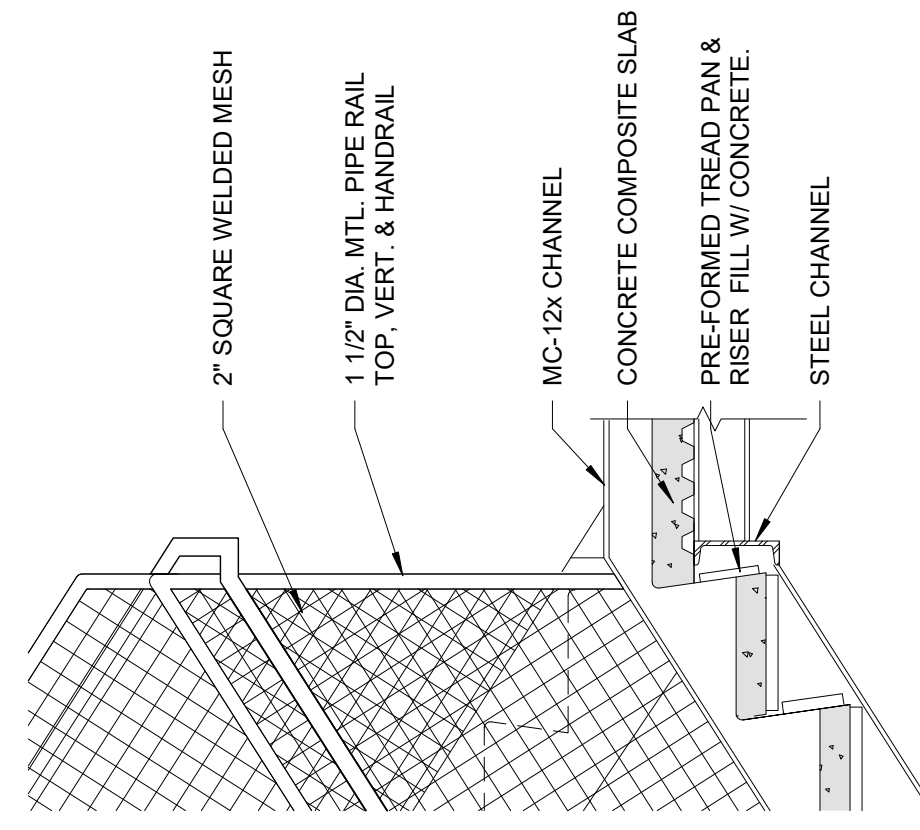
3 | B/O RUN TO LANDING
3/4" = 1'-0"



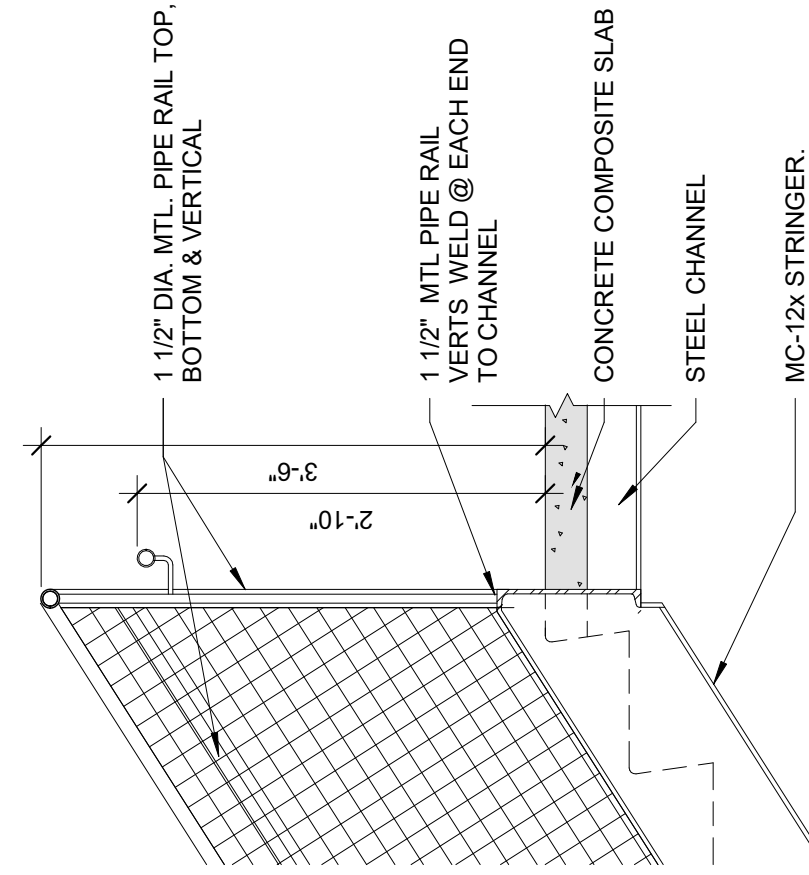
5 | METAL HANDRAIL DETAIL - SECTION
3" = 1'-0"



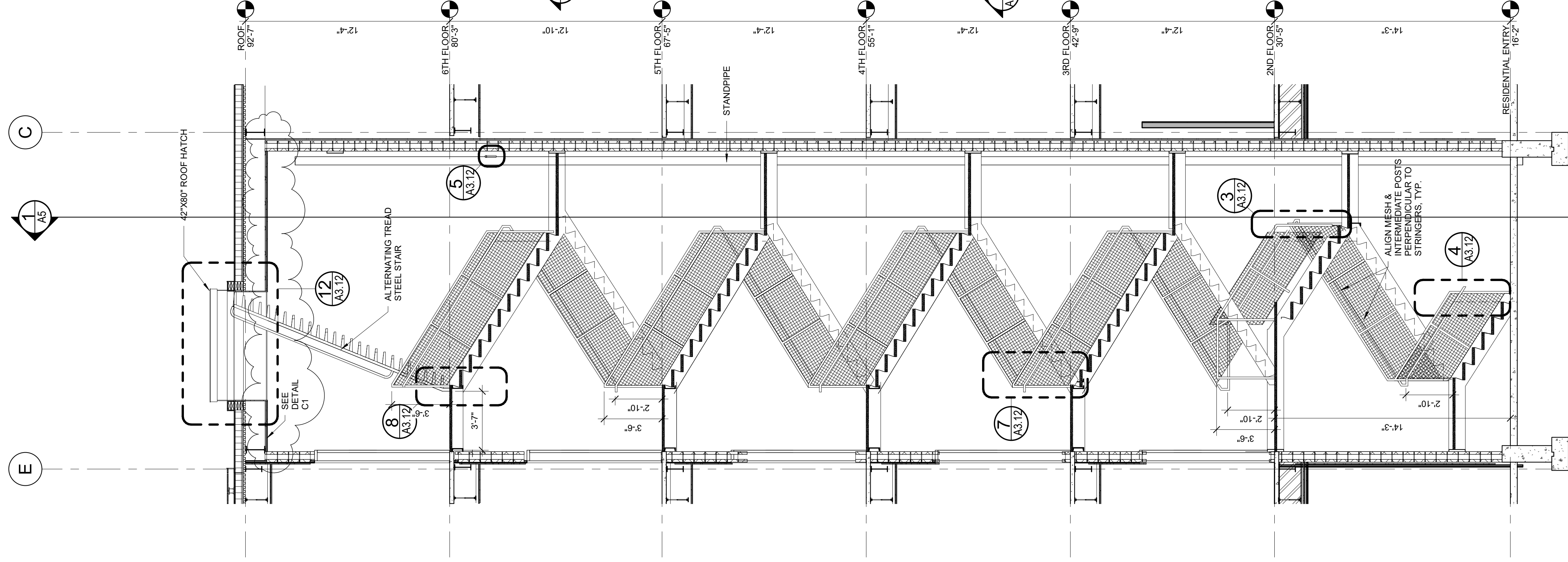
4 | B.O. RUN TO DECK
3/4" = 1'-0"



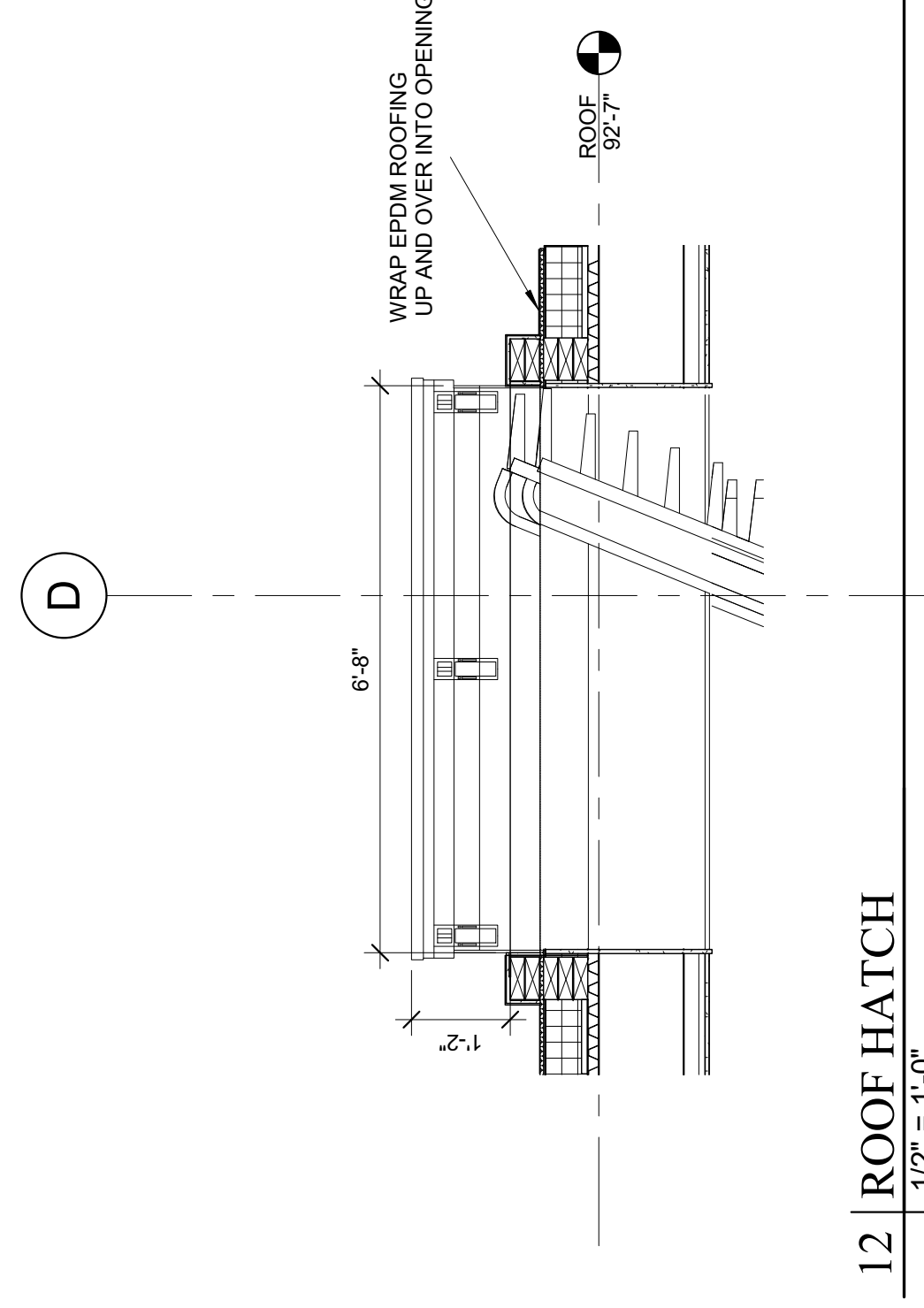
7 | T/O RUN TO LANDING
3/4" = 1'-0"



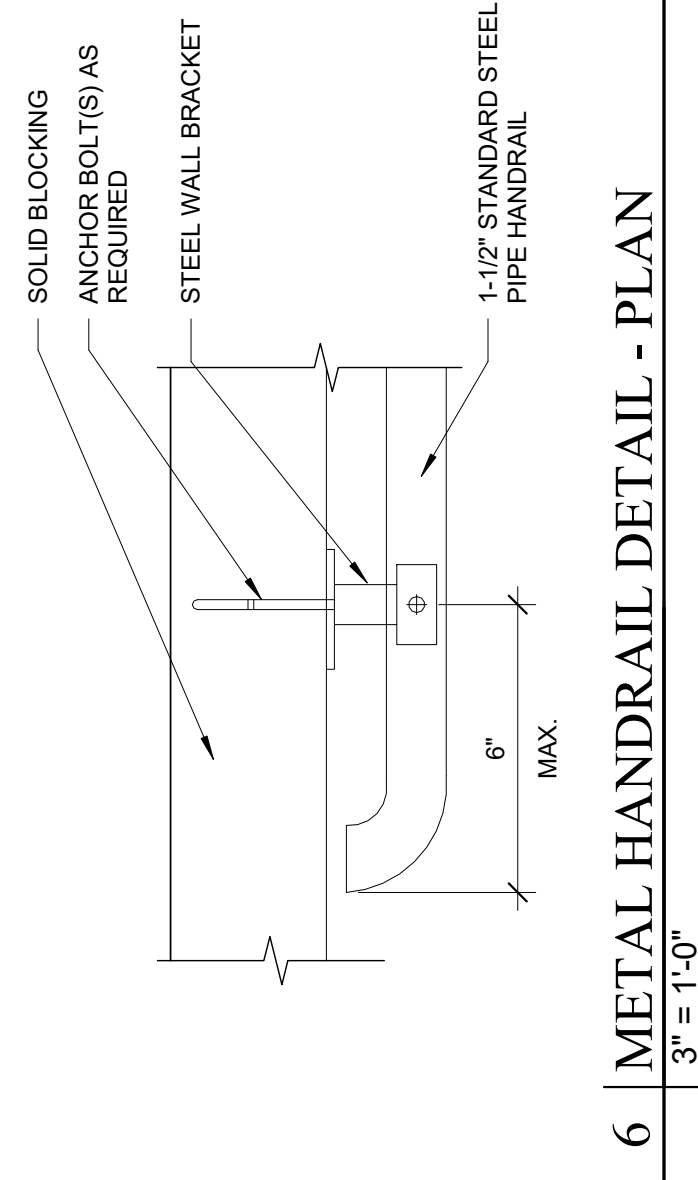
8 | T/O RUN TO DECK
3/4" = 1'-0"



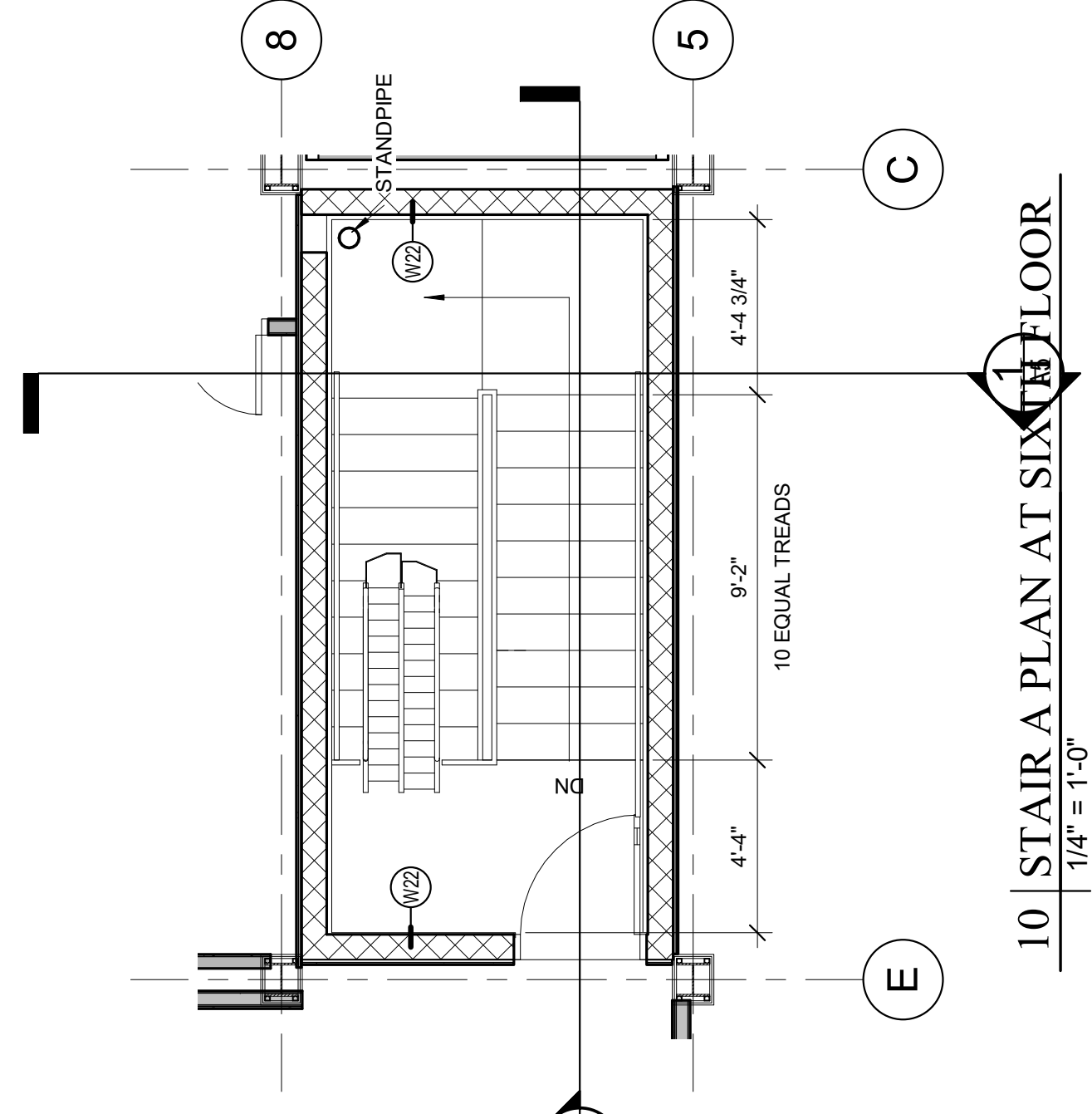
1 | SECTION AT STAIR A
1/4" = 1'-0"



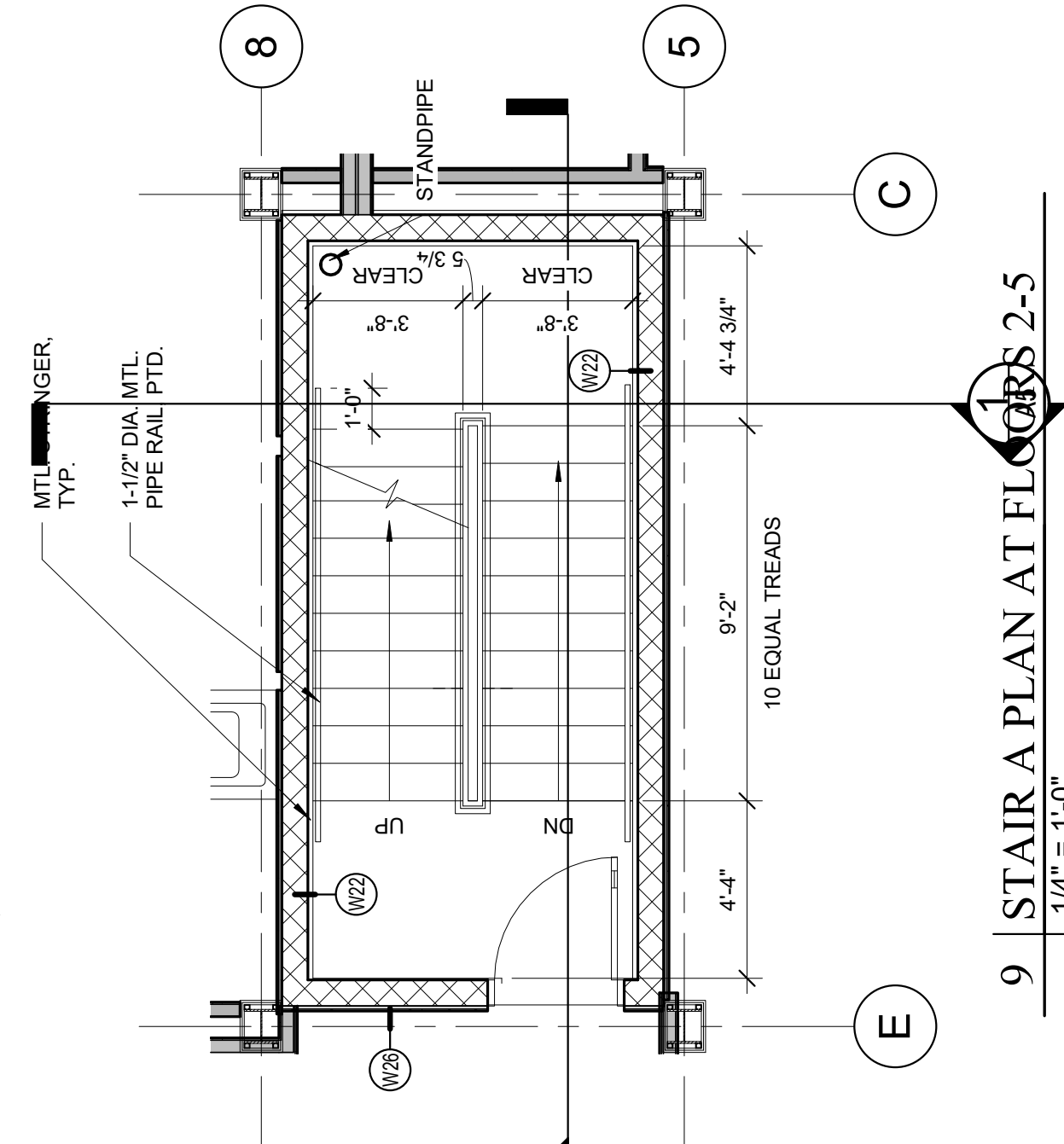
12 | ROOF HATCH
1/2" = 1'-0"



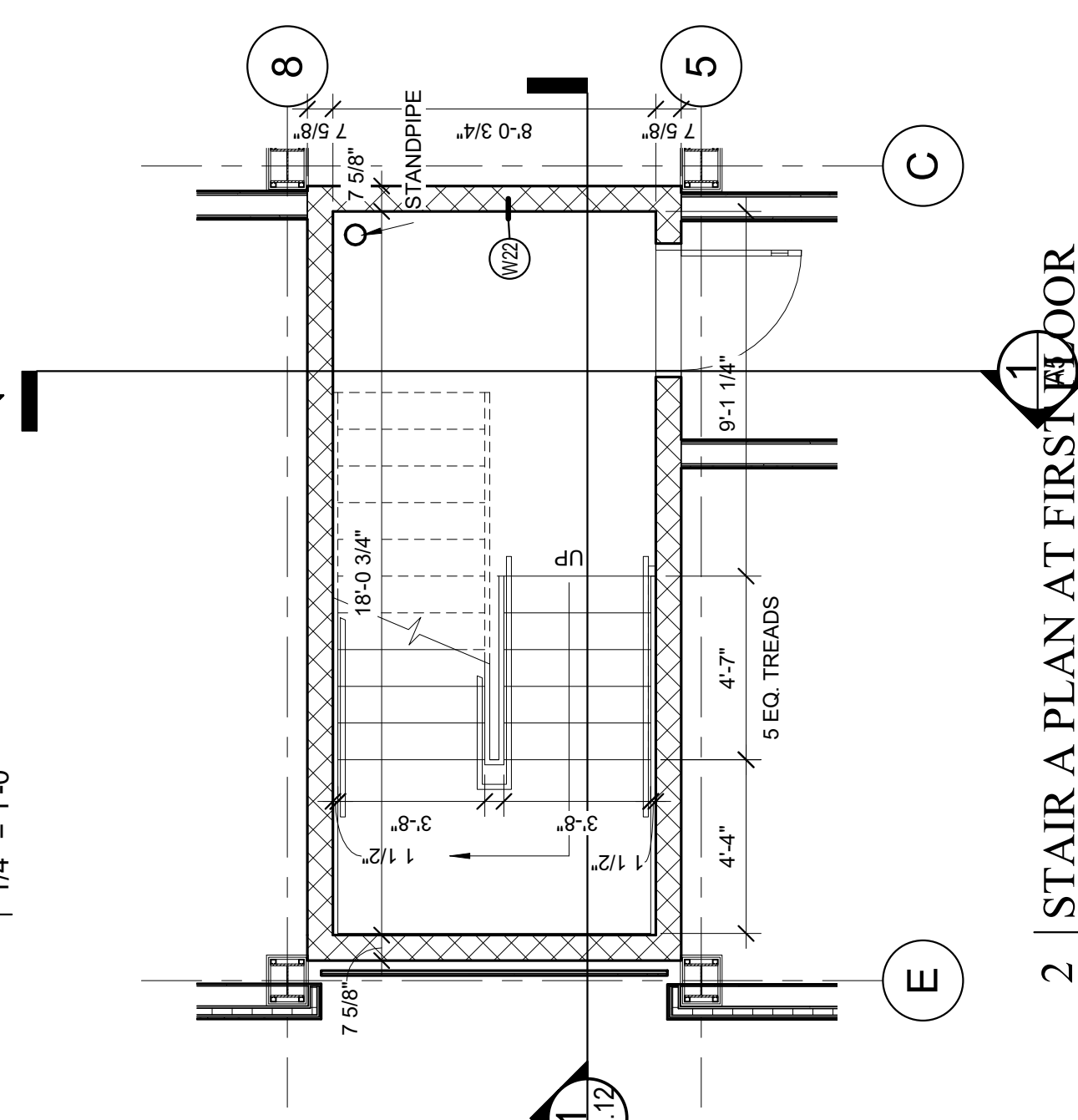
6 | METAL HANDRAIL DETAIL - PLAN
3" = 1'-0"



10 | STAIR A PLAN AT SIXTH FLOOR
1/4" = 1'-0"



9 | STAIR A PLAN AT FLOORS 2-5
1/4" = 1'-0"



2 | STAIR A PLAN AT FIRST FLOOR
1/4" = 1'-0"

A3.12

Date: FEB 16, 2018

Revisions: 10 | 2/16/18 | SI-4

Project: TWENTY THAMES CONDOMINIUM

Architect: ARCHETYPE architects

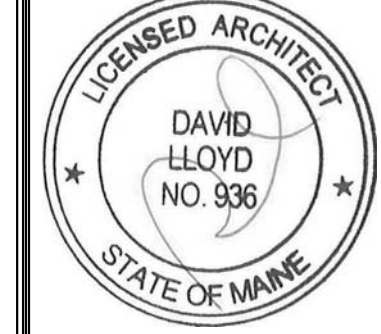
48 Union Wharf Portland, Maine 04101
(207) 772-6022 Fax (207) 772-4056

Consultant:

Prepared For:

EssexNorth 20 Thames LLC

P.O. Box 394
Topsfield, MA 01983



STAIR SECTIONS & DETAILS