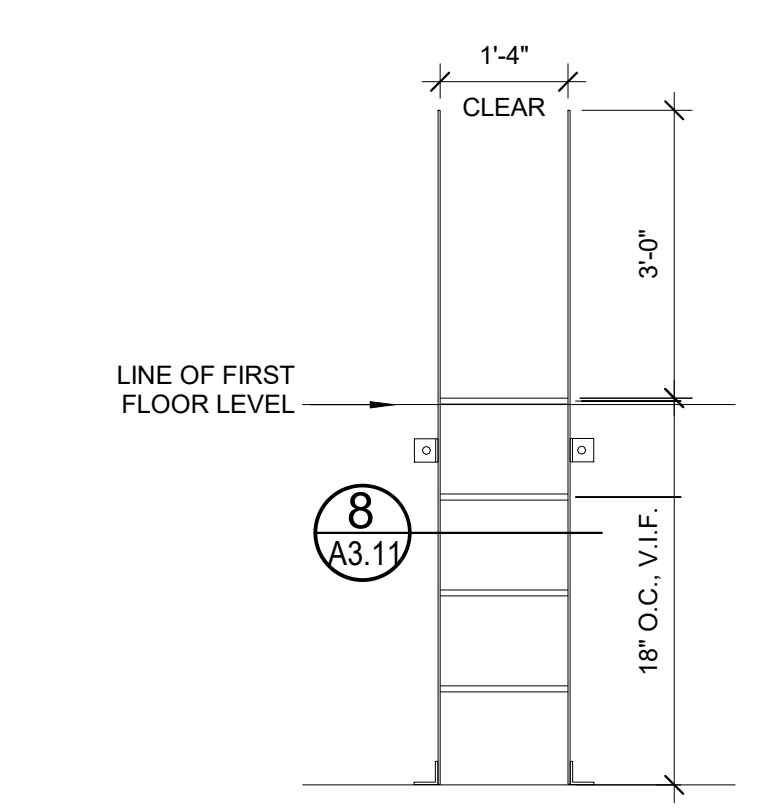
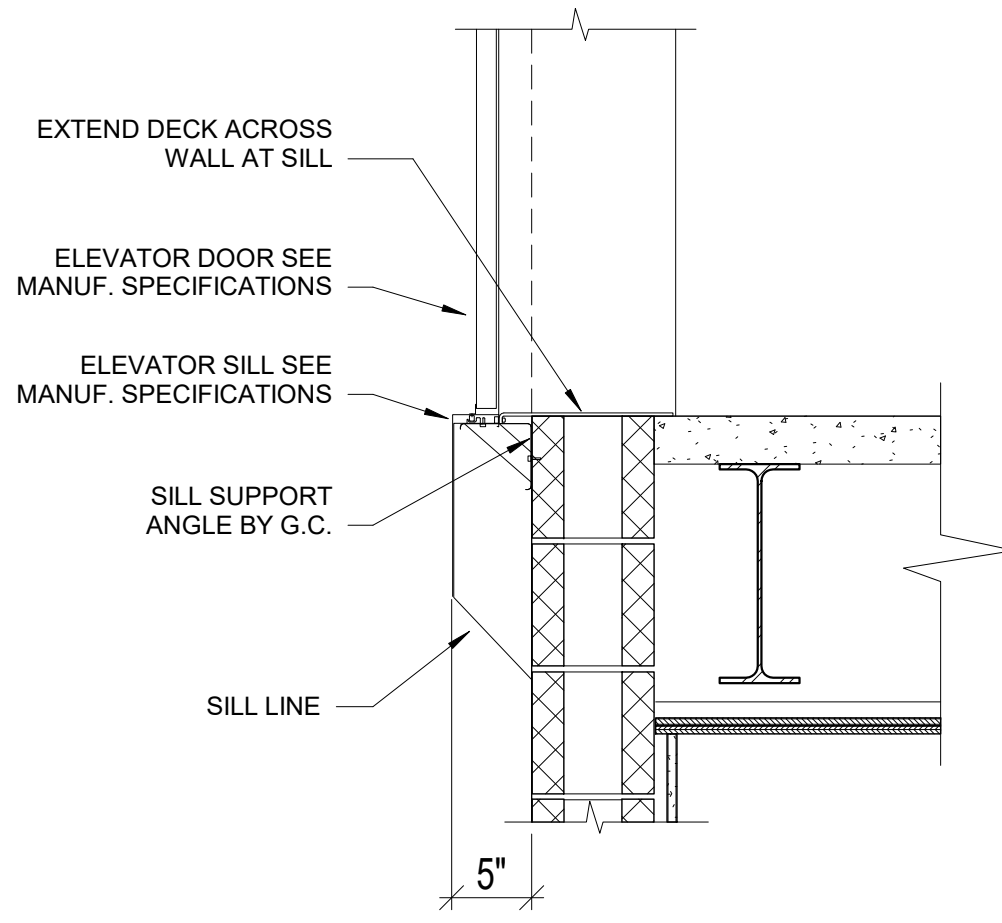


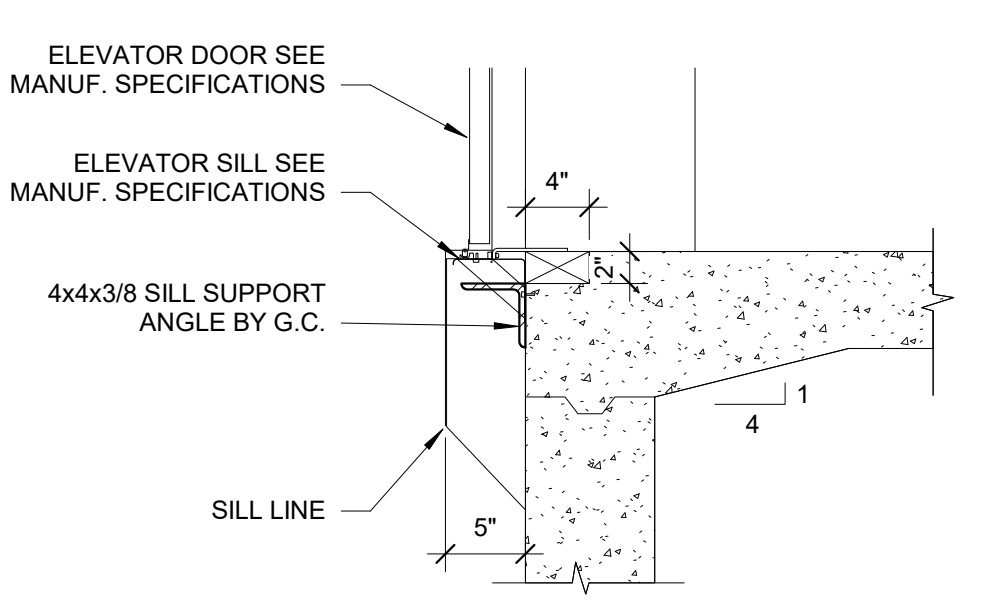
**8 ELEVATOR PIT LADDER PLAN**  
1" = 1'-0"



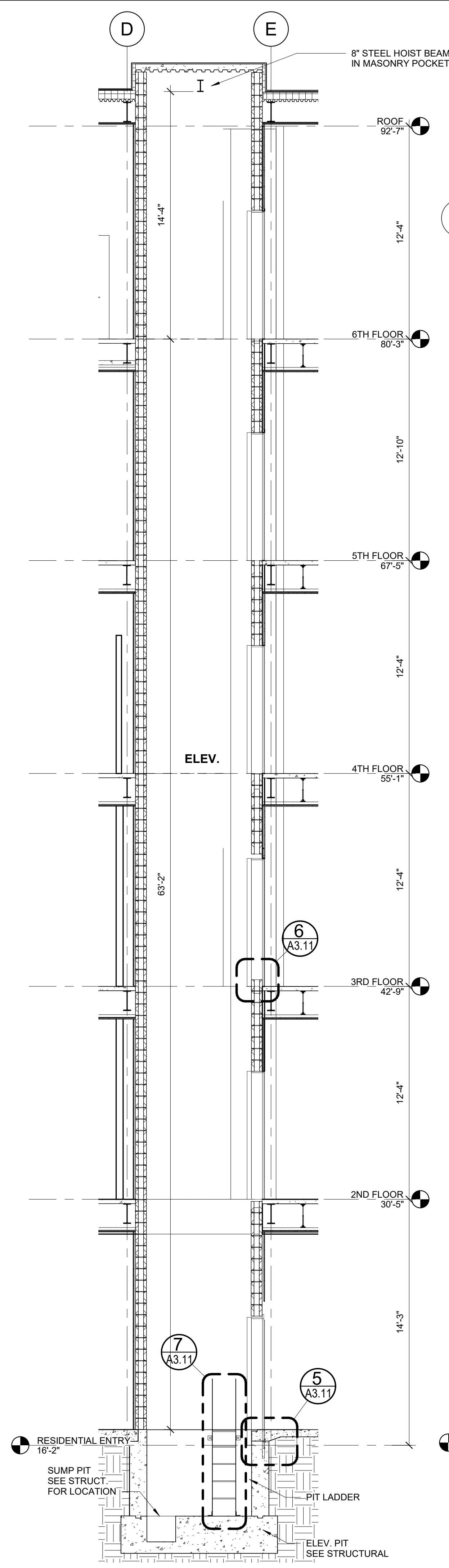
**7 ELEVATOR PIT LADDER ELEVATION**  
1/2" = 1'-0"



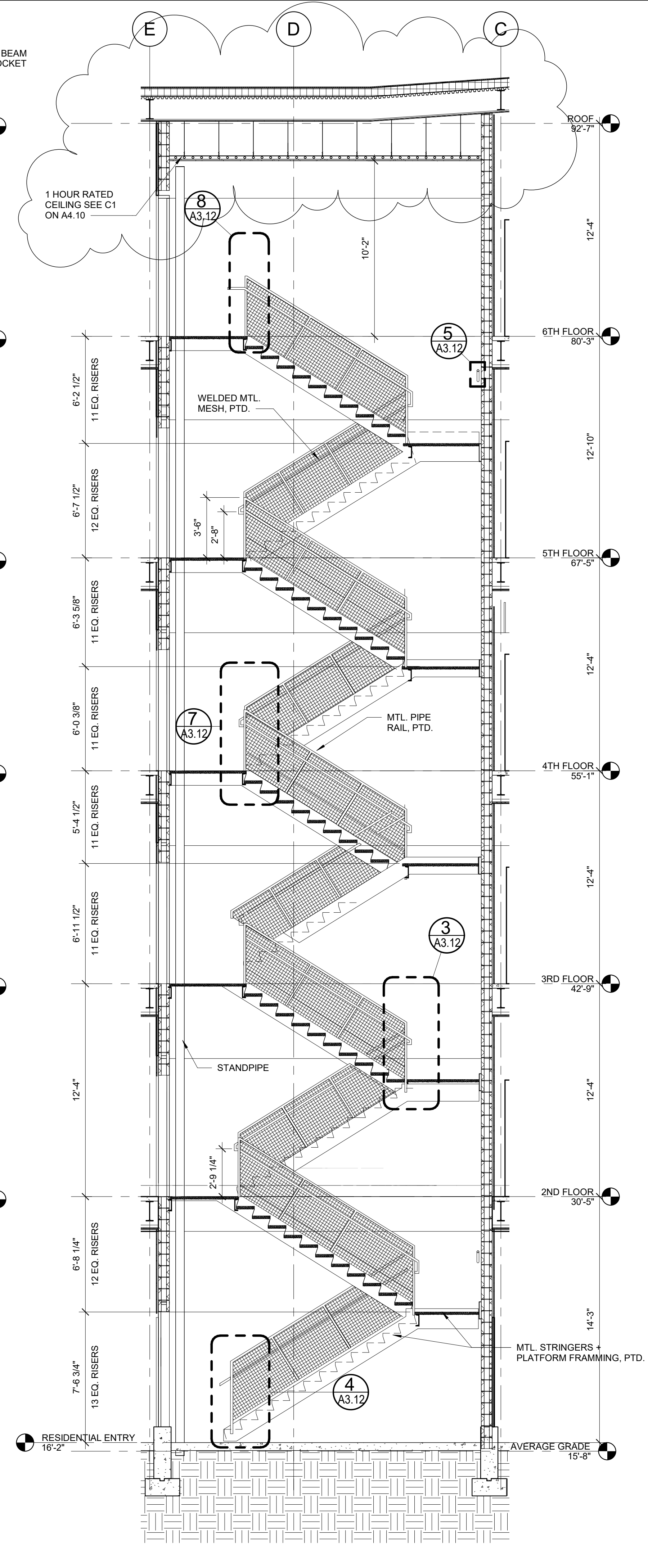
**6 ELEVATOR DOOR THRESHOLD**  
1" = 1'-0"



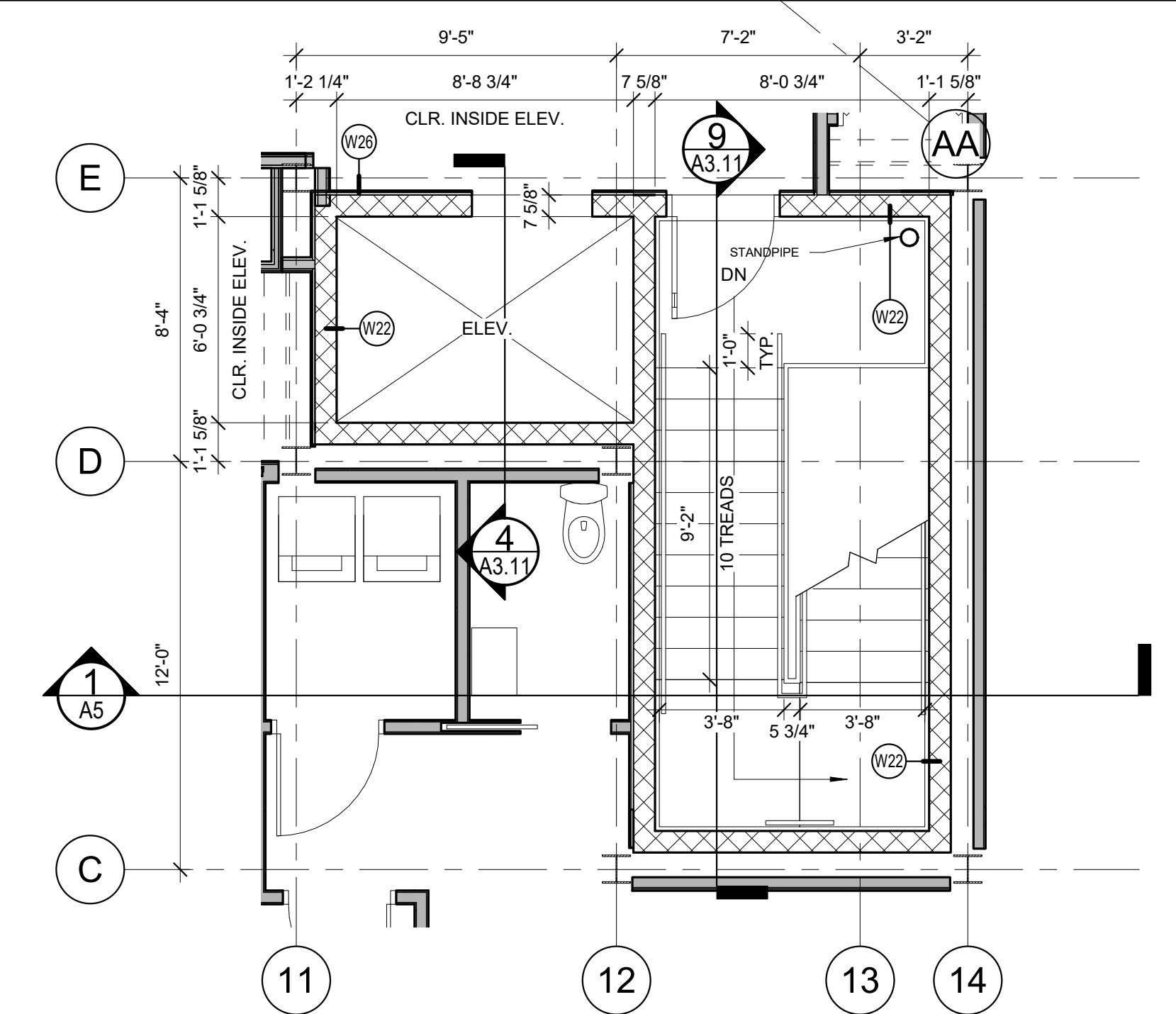
**5 ELEVATOR DOOR AT CONCRETE**  
1" = 1'-0"



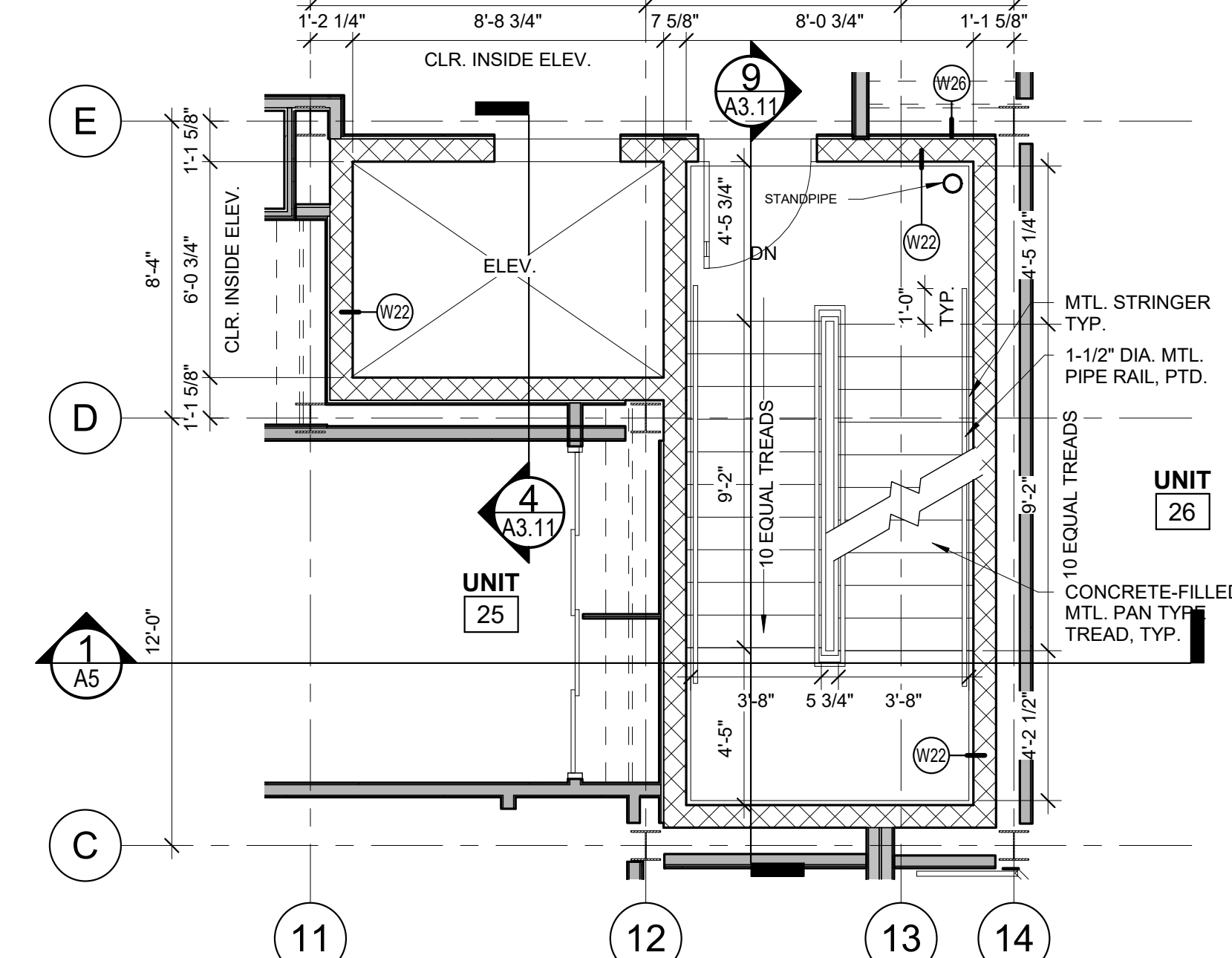
**4 ELEVATOR SECTION**  
1/4" = 1'-0"



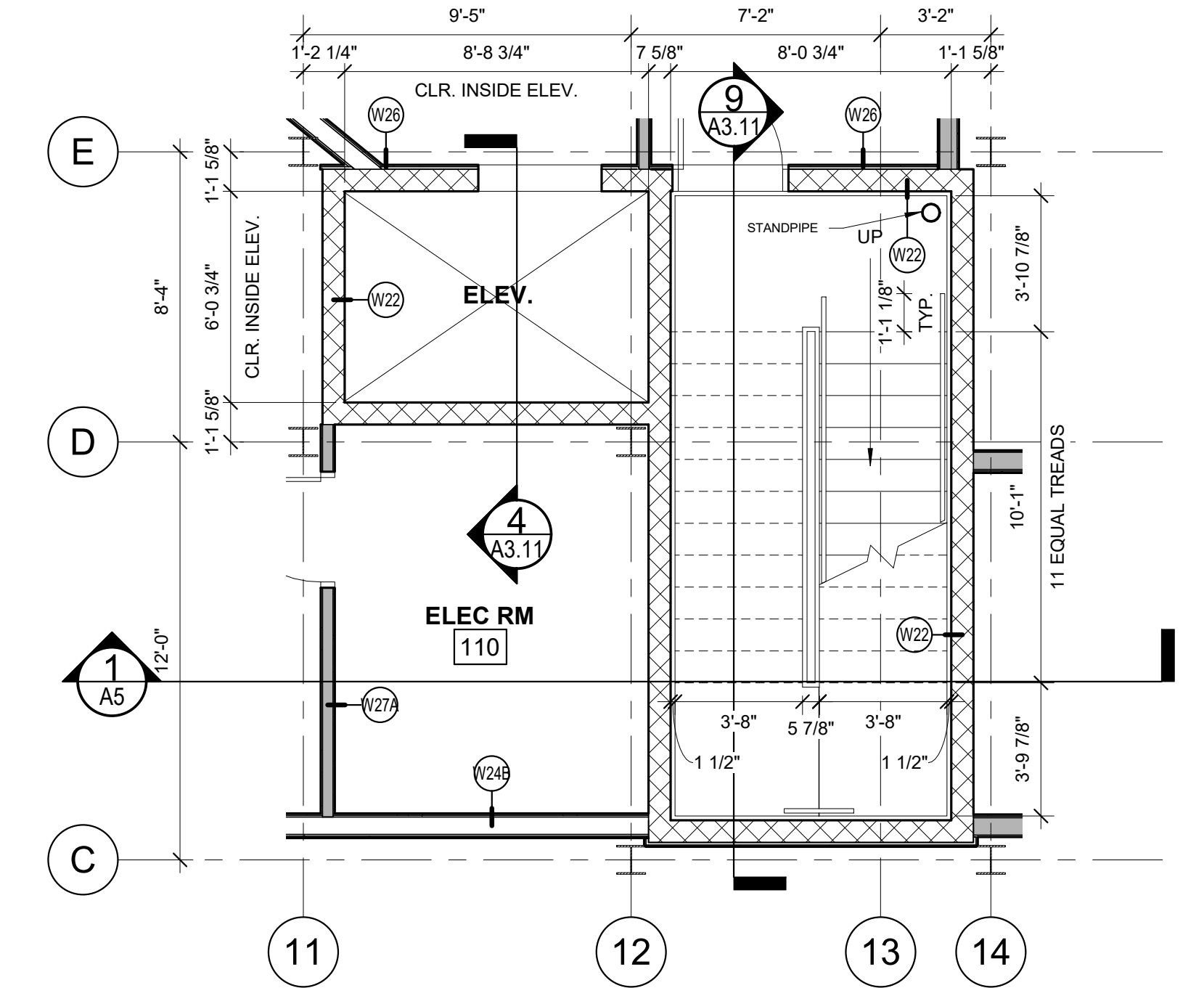
**9 STAIRWELL B SECTION**  
1/4" = 1'-0"



**3 ELEV. & STAIR B PLAN AT SIXTH FLOOR**  
1/4" = 1'-0"



**2 ELEV. & STAIR B PLAN AT FLOORS 2-5**  
1/4" = 1'-0"



**1 ELEV. & STAIR B PLAN AT FIRST FLOOR**  
1/4" = 1'-0"