

FIG. 302.3 - OPENINGS IN FLOOR OR GROUND SURFACES

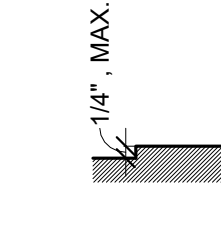


FIG. 303.2 - VERTICAL CHANGES IN LEVEL

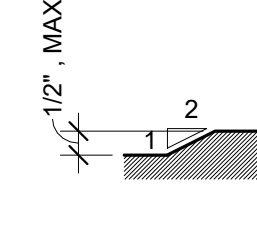


FIG. 303.3 - BEVELED CHANGES IN LEVEL

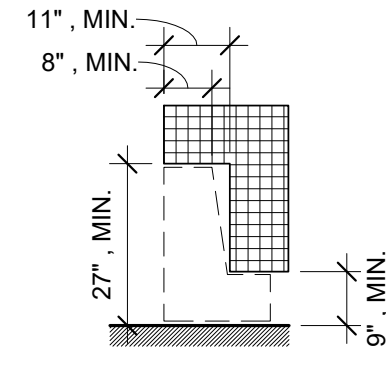


FIG. 306.3 - KNEE CLEARANCE

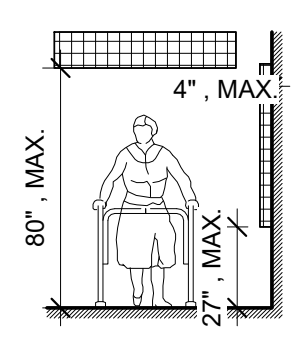


FIG. 307.2 - LIMITS OF PROTRUDING OBJECTS

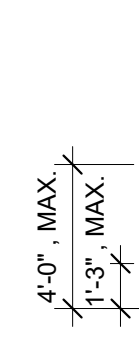


FIG. 308.2.1 - UNOBSTRUCTED FORWARD REACH

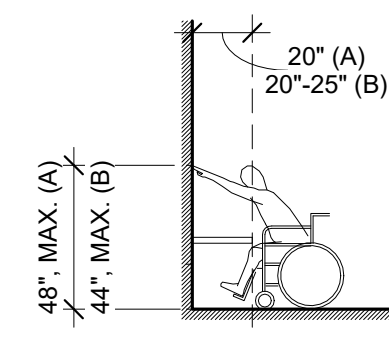


FIG. 308.2.2 - OBSTRUCTED HIGH FORWARD REACH

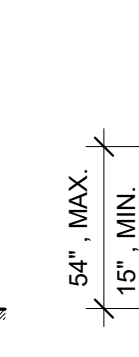


FIG. 308.3.1 - UNOBSTRUCTED SIDE REACH

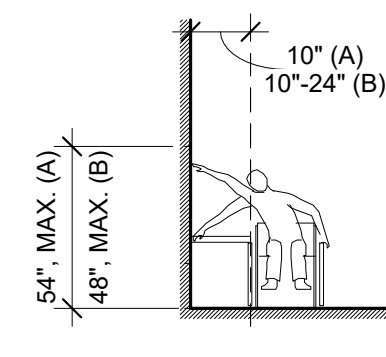
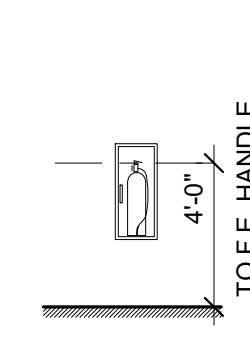


FIG. 308.3.2 - OBSTRUCTED SIDE REACH



FIRE EXTINGUISHING CABINET MOUNTING HEIGHT

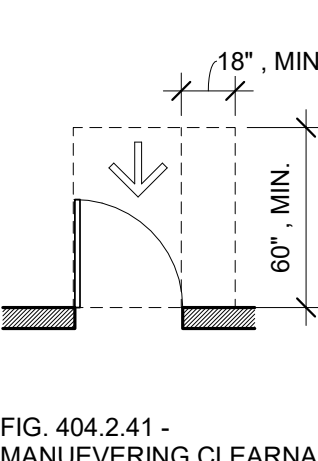
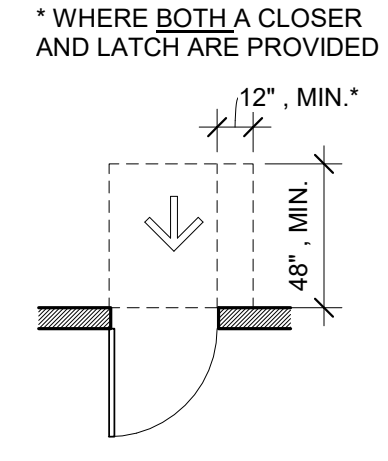
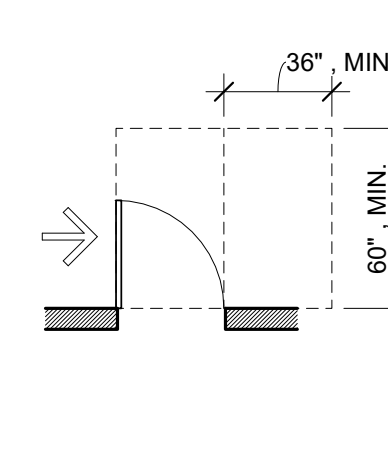


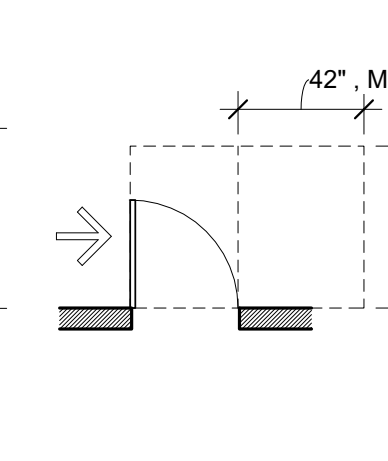
FIG. 404.2.4.1 - MANEUVERING CLEARANCE AT SWING DOOR



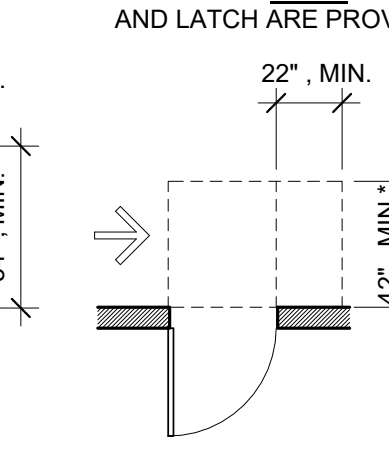
(B) FRONT APPROACH, PUSH SIDE



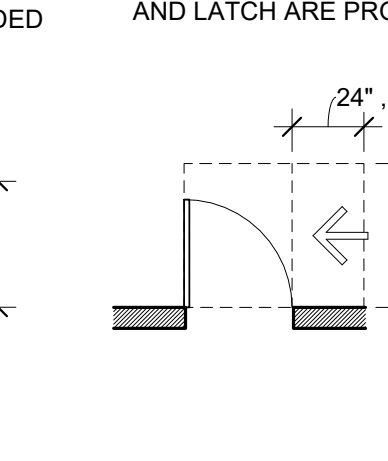
(C) HINGE APPROACH, PULL SIDE



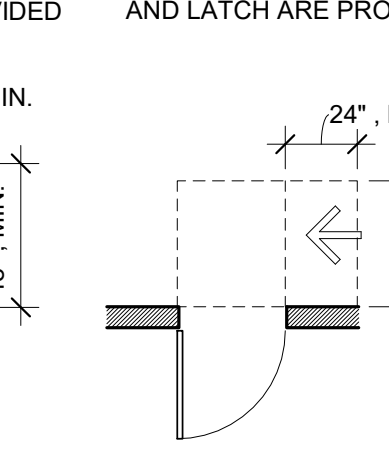
(D) HINGE APPROACH, PUSH SIDE



(E) LATCH APPROACH, PULL SIDE



(F) LATCH APPROACH, PUSH SIDE



(G) LATCH APPROACH, PUSH SIDE

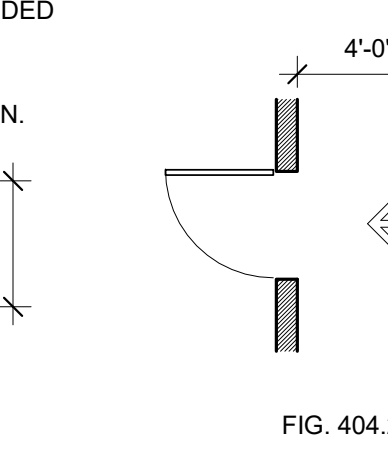


FIG. 404.2.6 TWO DOORS IN A SERIES (A) AND (B)

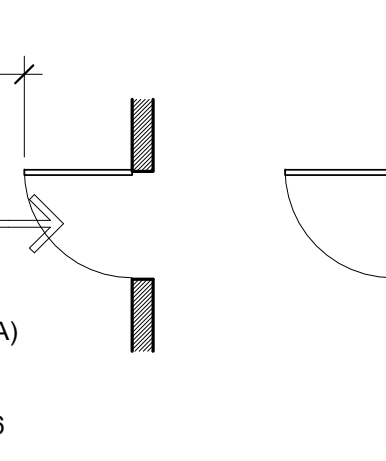


FIG. 407.2.2 ELEV. CALL BUTTONS

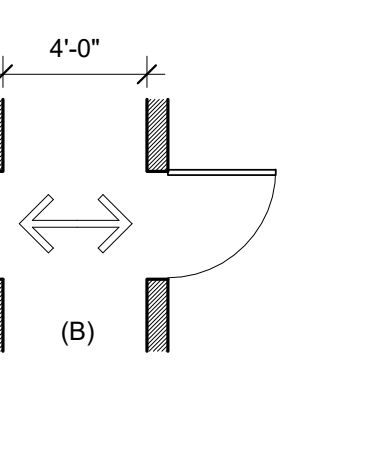


FIG. 407.2.3.1 HEIGHT OF ELEV. VISIBLE SIGNALS

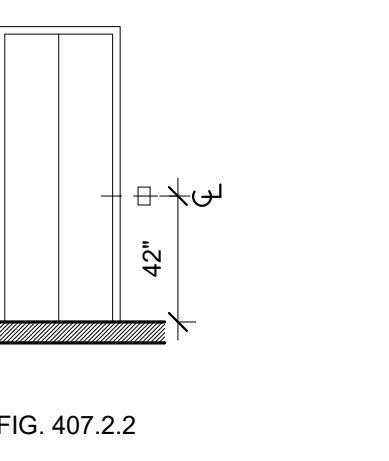


FIG. 407.2.3.2.2 SIZE OF ELEV. VISIBLE SIGNALS

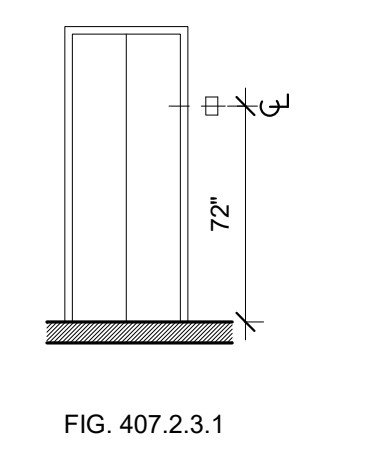


FIG. 407.2.4 TACTILE CHARACTERS ON ELEV. HOISTWAY ENTRANCES

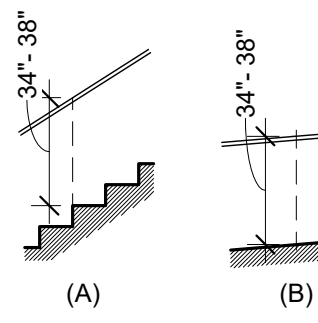


FIG. 505.4 HANDRAIL HEIGHT (A) STAIRS (B) RAMPS

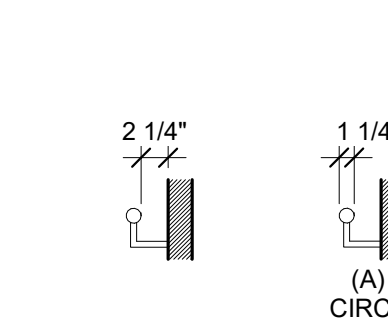


FIG. 505.5 HANDRAIL CLEARANCE

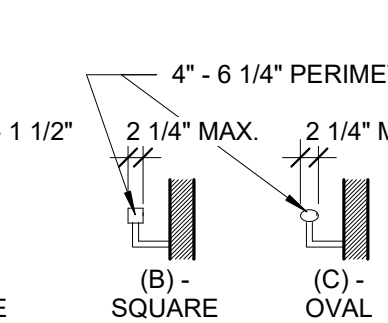


FIG. 505.7 HANDRAIL CROSS SECTION (A) CIRCULAR (B) AND (C) NON CIRCULAR

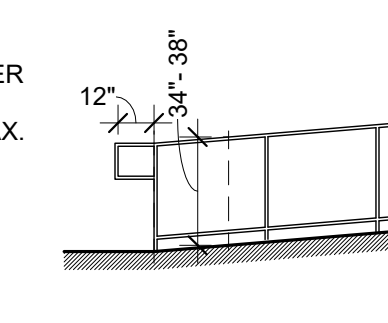


FIG. 505.10.1 TOP AND BOTTOM HANDRAIL EXTENSIONS AT RAMPS

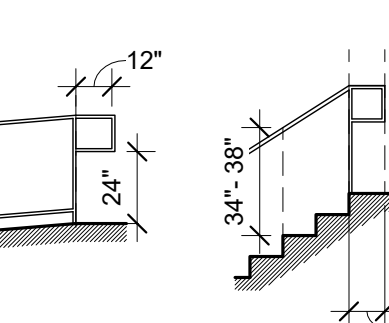


FIG. 505.10.2 TOP HANDRAIL EXTENSION AT STAIRS

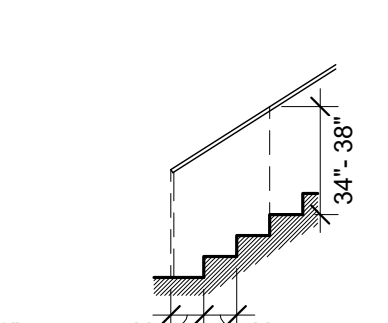


FIG. 505.10.3 TOP HANDRAIL EXTENSION AT STAIRS

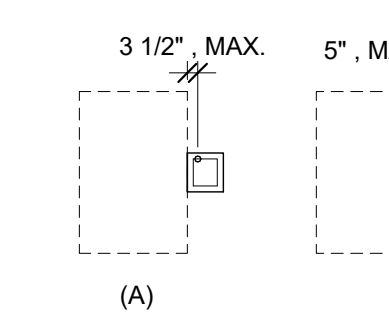


FIG. 602.5 DRINKING FOUNTAIN SPOUT LOCATION (A) PARALLEL APPROACH (B) FORWARD APPROACH

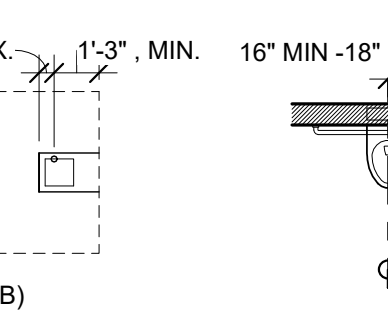


FIG. 604.2 WATER CLOSET LOCATION

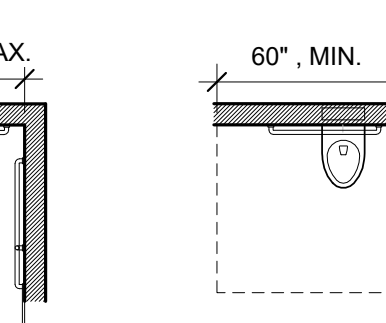


FIG. 604.3.1 SIZE OF CLEARANCE FOR WATER CLOSET

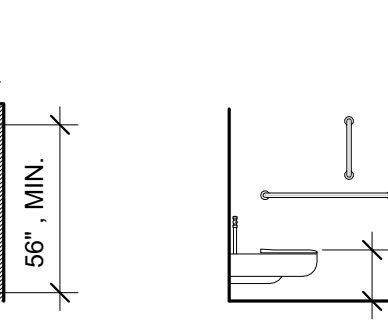


FIG. 604.4 HEIGHT TO TOP OF SEAT

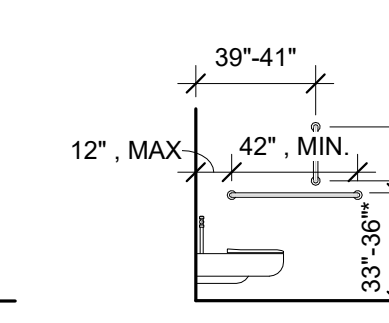


FIG. 604.5.1 SIDE WALL GRAB BAR FOR WATER CLOSET

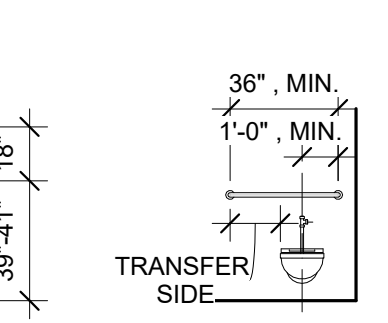


FIG. 604.5.2 REAR WALL GRAB BAR FOR WATER CLOSET

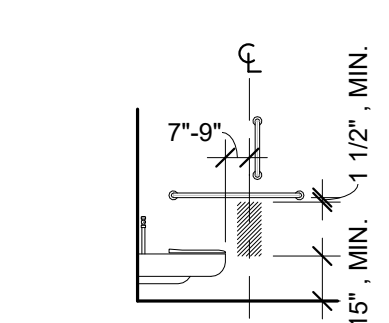


FIG. 604.7 DISPENSER LOCATION (A) BELOW GRAB BAR (B) ABOVE GRAB BAR

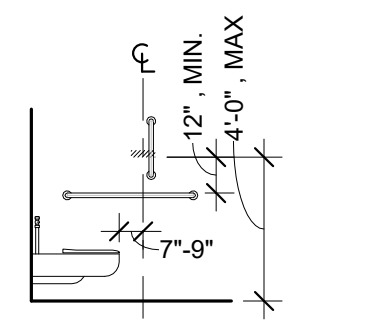


FIG. 605.2 HEIGHT OF URINALS (A) - WALL TYPE (B) - FLIP OF FIXTURE

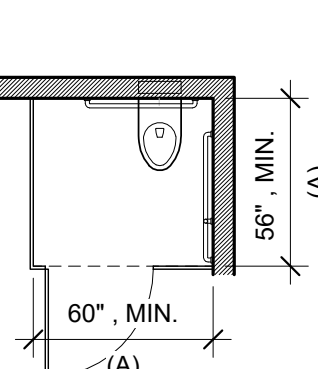


FIG. 604.8.1.1 WHEELCHAIR ACCESSIBLE TOILET COMPARTMENTS (A) WALL-HUNG WATER CLOSET (B) FLOOR-MOUNTED WATER CLOSET

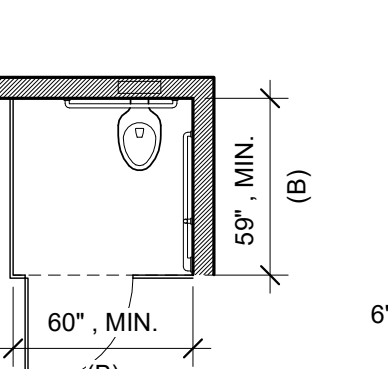


FIG. 604.8.1.2 WHEELCHAIR ACCESSIBLE TOILET COMPARTMENTS (A) WALL-HUNG WATER CLOSET (B) FLOOR-MOUNTED WATER CLOSET

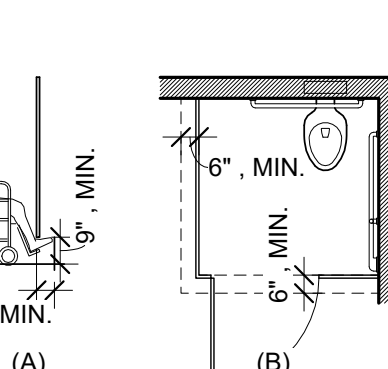


FIG. 604.8.1.4 TOILET COMPARTMENT TOES CLEARANCE (A) ELEVATION (B) PLAN

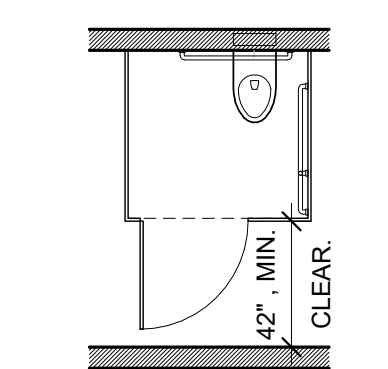


FIG. 604.8.3 TOILET COMPARTMENT DOORS

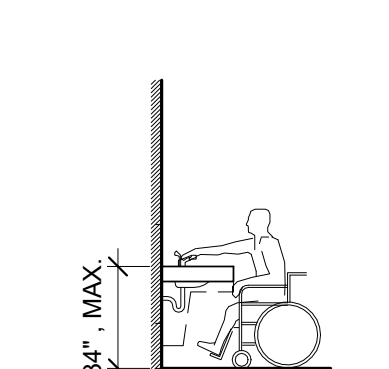


FIG. 606.3 HEIGHT OF LAVATORIES AND SINKS

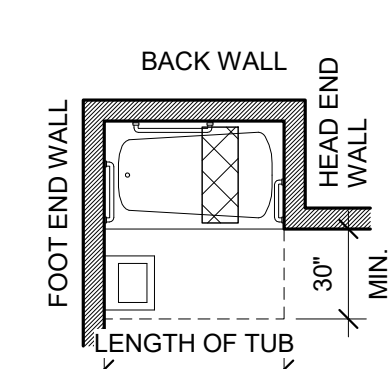


FIG. 607.2 CLEARANCE FOR BATHTUBS (A) WITHOUT PERMANENT SEAT (B) WITH PERMANENT SEAT

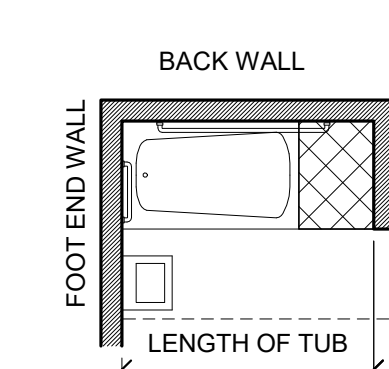


FIG. 607.4.2 GRAB BARS FOR BATHTUB WITHOUT PERMANENT SEATS SECTION AND PLAN

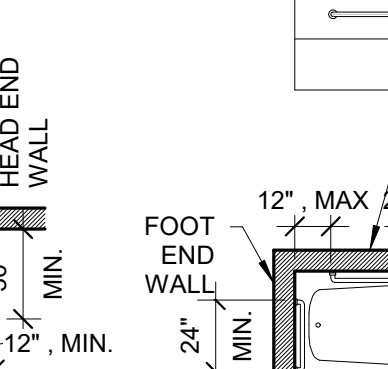


FIG. 607.4.1 GRAB BARS FOR BATHTUB WITH PERMANENT SEATS SECTION AND PLAN

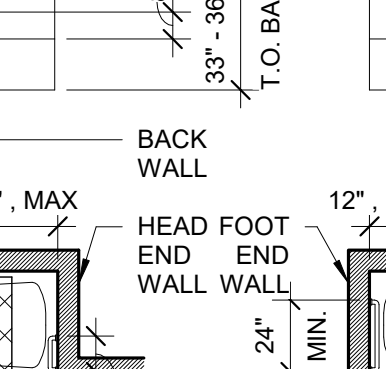


FIG. 610.2 BATHTUB SEAT (A) REMOVABLE IN-TUB SEAT SECTION AND PLAN (B) PERMANENT SEAT SECTION AND PLAN

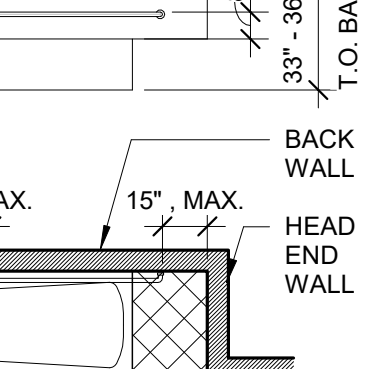


FIG. 609.2 SIZE OF GRAB BARS (A) CIRCULAR (B) AND (C) NON CIRCULAR

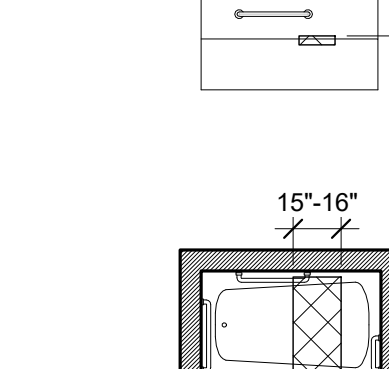


FIG. 609.3 SPACING OF GRAB BARS

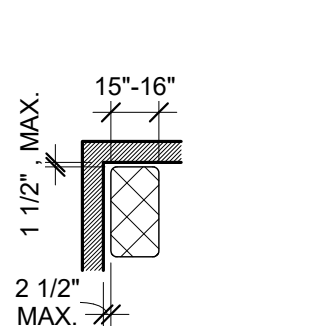


FIG. 610.3.1 RECTANGULAR SHOWER COMPARTMENT SEAT

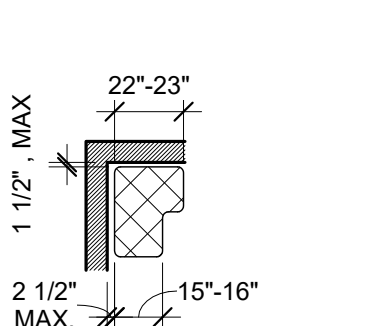


FIG. 610.3.2 L-SHAPED SHOWER COMPARTMENT SEAT

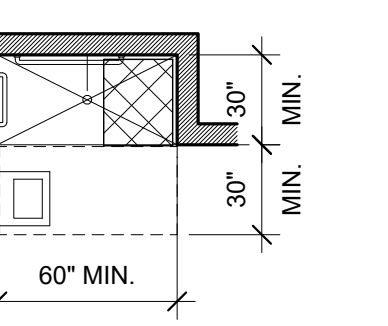


FIG. 608.2.2 STANDARD ROLL-IN-TYPE SHOWER COMPARTMENT

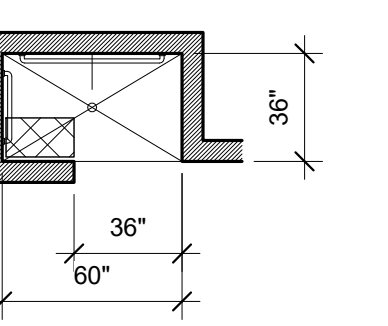


FIG. 608.2.3 ALTERNATE ROLL-IN-TYPE SHOWER COMPARTMENT

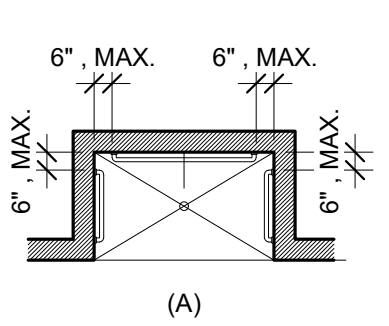


FIG. 608.3.2 GRAB BARS IN ROLL-IN-TYPE SHOWER (A) STANDARD ROLL-IN-TYPE SHOWER (B) ROLL-IN-TYPE SHOWER WITH SEAT (C) ALTERNATE ROLL-IN-TYPE SHOWER

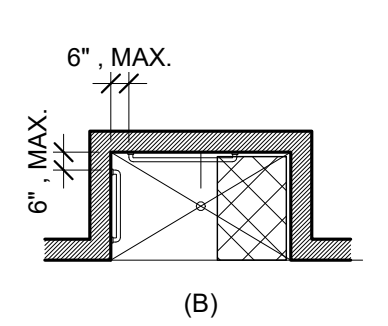


FIG. 608.3.2 GRAB BARS IN ROLL-IN-TYPE SHOWER (A) STANDARD ROLL-IN-TYPE SHOWER (B) ROLL-IN-TYPE SHOWER WITH SEAT (C) ALTERNATE ROLL-IN-TYPE SHOWER

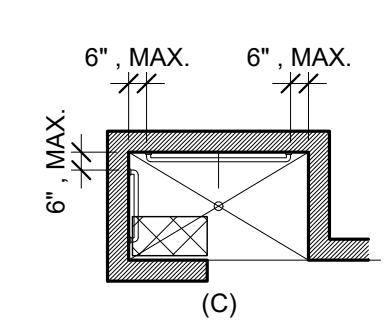


FIG. 608.3.2 GRAB BARS IN ROLL-IN-TYPE SHOWER (A) STANDARD ROLL-IN-TYPE SHOWER (B) ROLL-IN-TYPE SHOWER WITH SEAT (C) ALTERNATE ROLL-IN-TYPE SHOWER

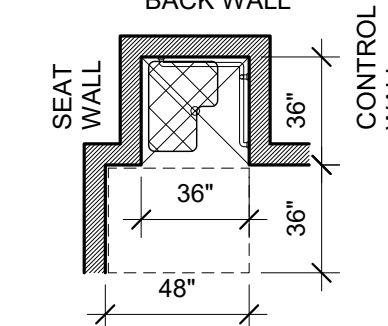


FIG. 608.2.1 TRANSFER-TYPE SHOWER COMPARTMENT

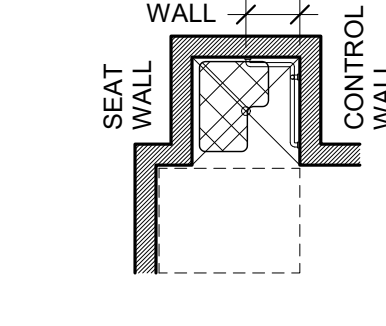


FIG. 608.3.1 GRAB BARS IN TRANSFER-TYPE SHOWERS

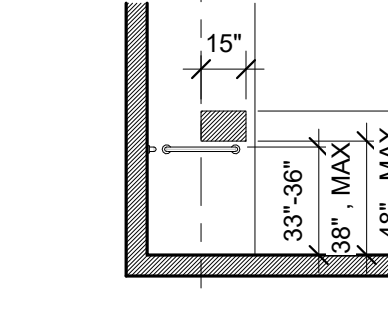


FIG. 608.3.5 CONTROLS IN TRANSFER-TYPE SHOWERS

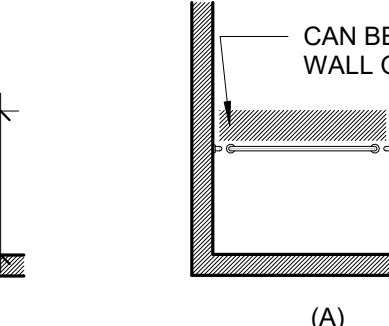


FIG. 608.3.5 CONTROLS IN TRANSFER-TYPE SHOWERS

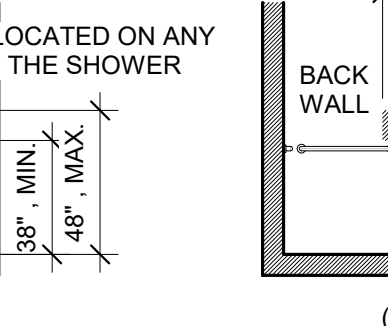


FIG. 608.3.5 CONTROLS IN TRANSFER-TYPE SHOWERS

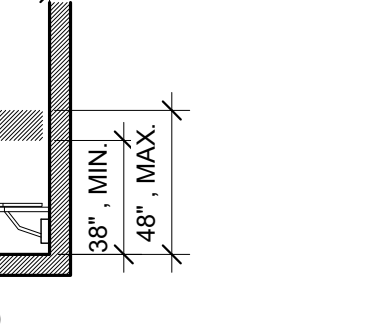


FIG. 608.3.5 CONTROLS IN TRANSFER-TYPE SHOWERS

Prepared For:
**EssexNorth
Portland LLC**

Consultant:
**ARCHETYPE
architects**
48 Union Wharf Portland, Maine 04101
(207) 772-6022 ARCHETYPE@ARCHETYPEPA.COM

Project:
**THAMES STREET
CONDOMINIUM**
20 Thames Street, Portland Maine

Revisions:

Date: JULY 21, 2017
Scale: As indicated
**ACCESSIBILITY
STANDARDS**

AS1.1