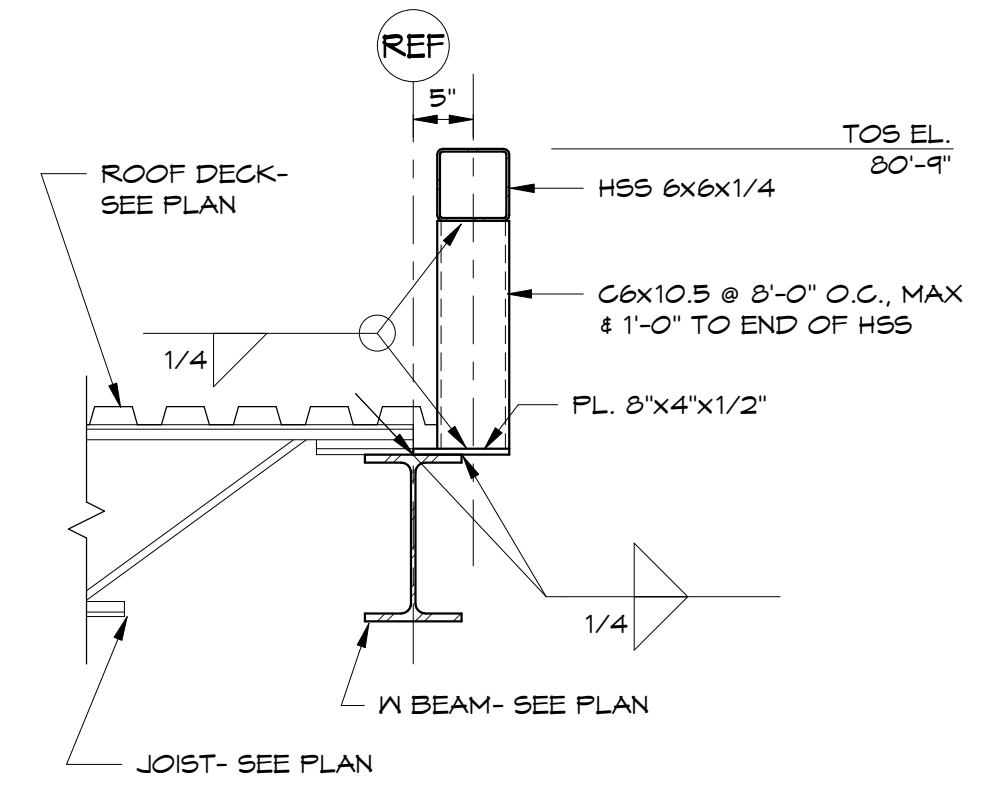
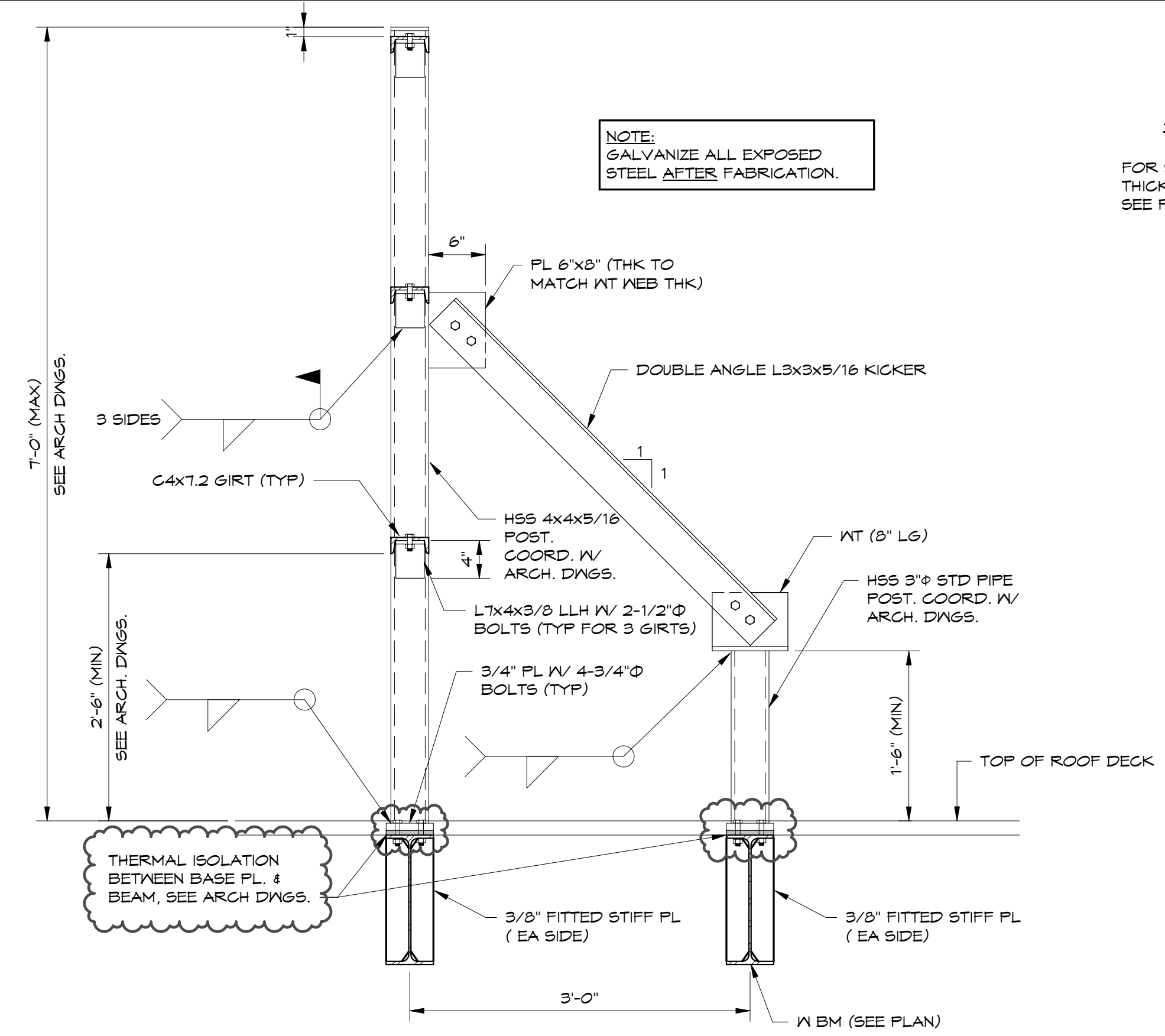


1 SECTION
55.02 3/4" = 1'-0"

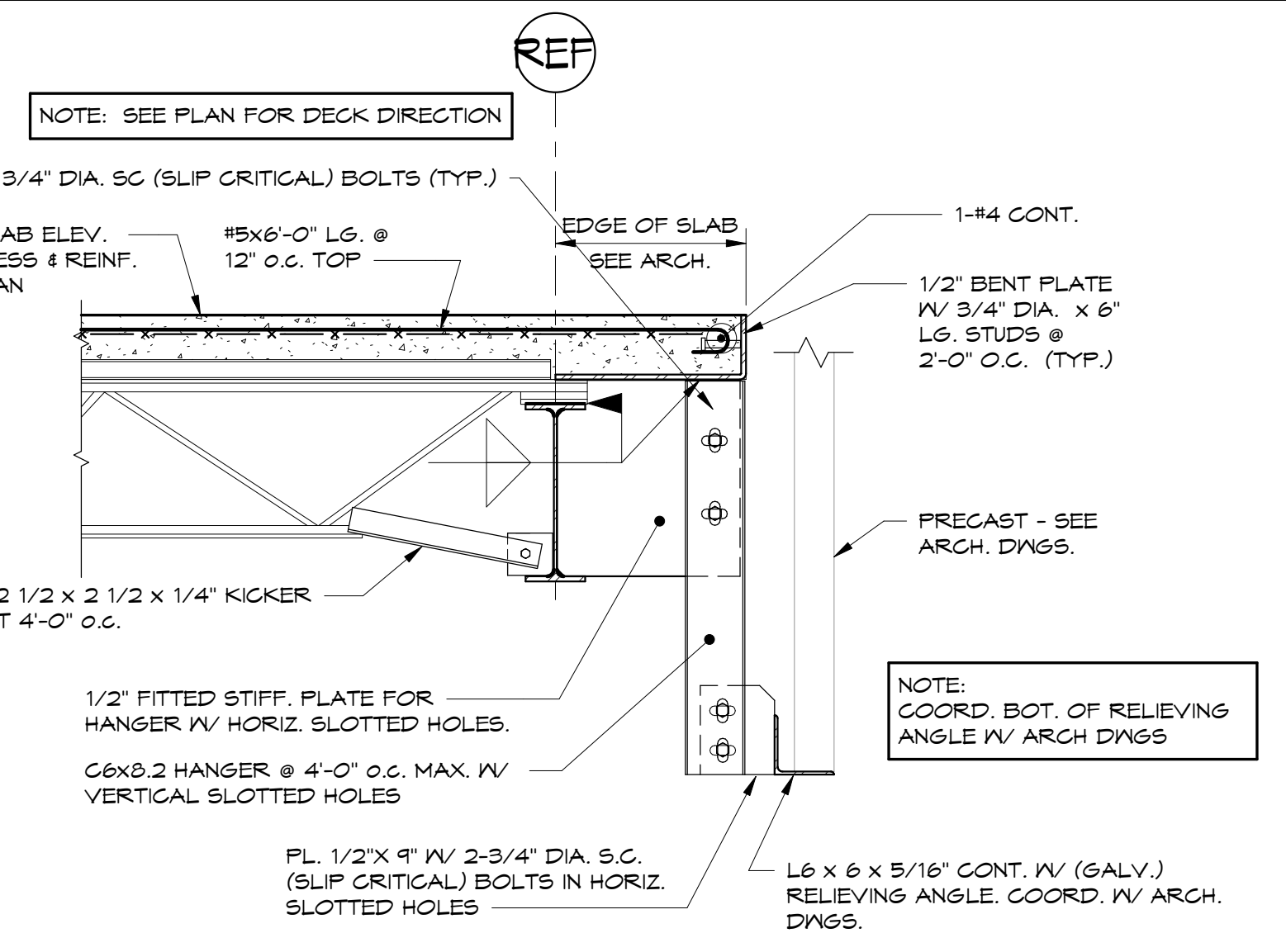


2 SECTION
55.02 3/4" = 1'-0"

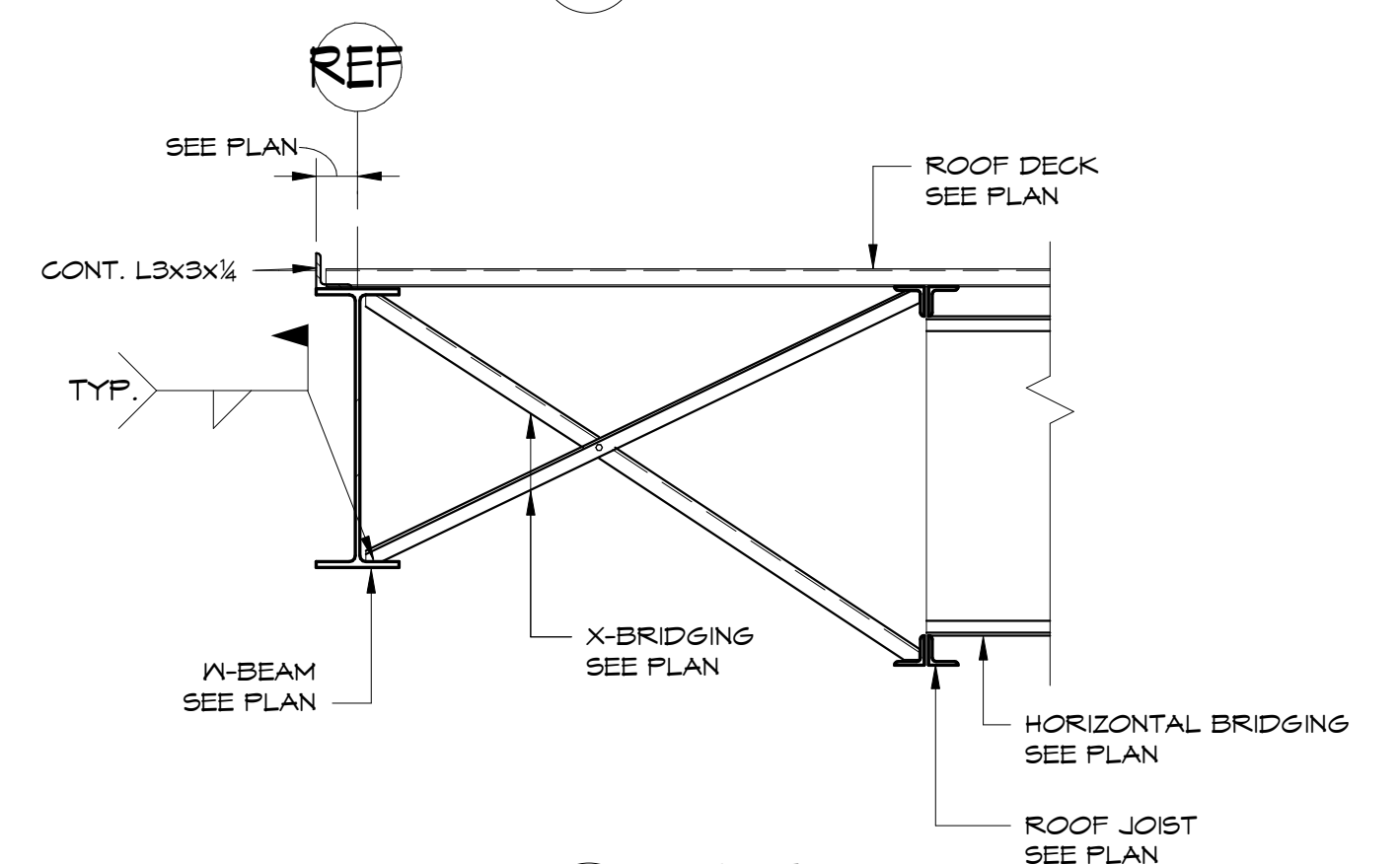


3 SECTION
55.02 1" = 1'-0"

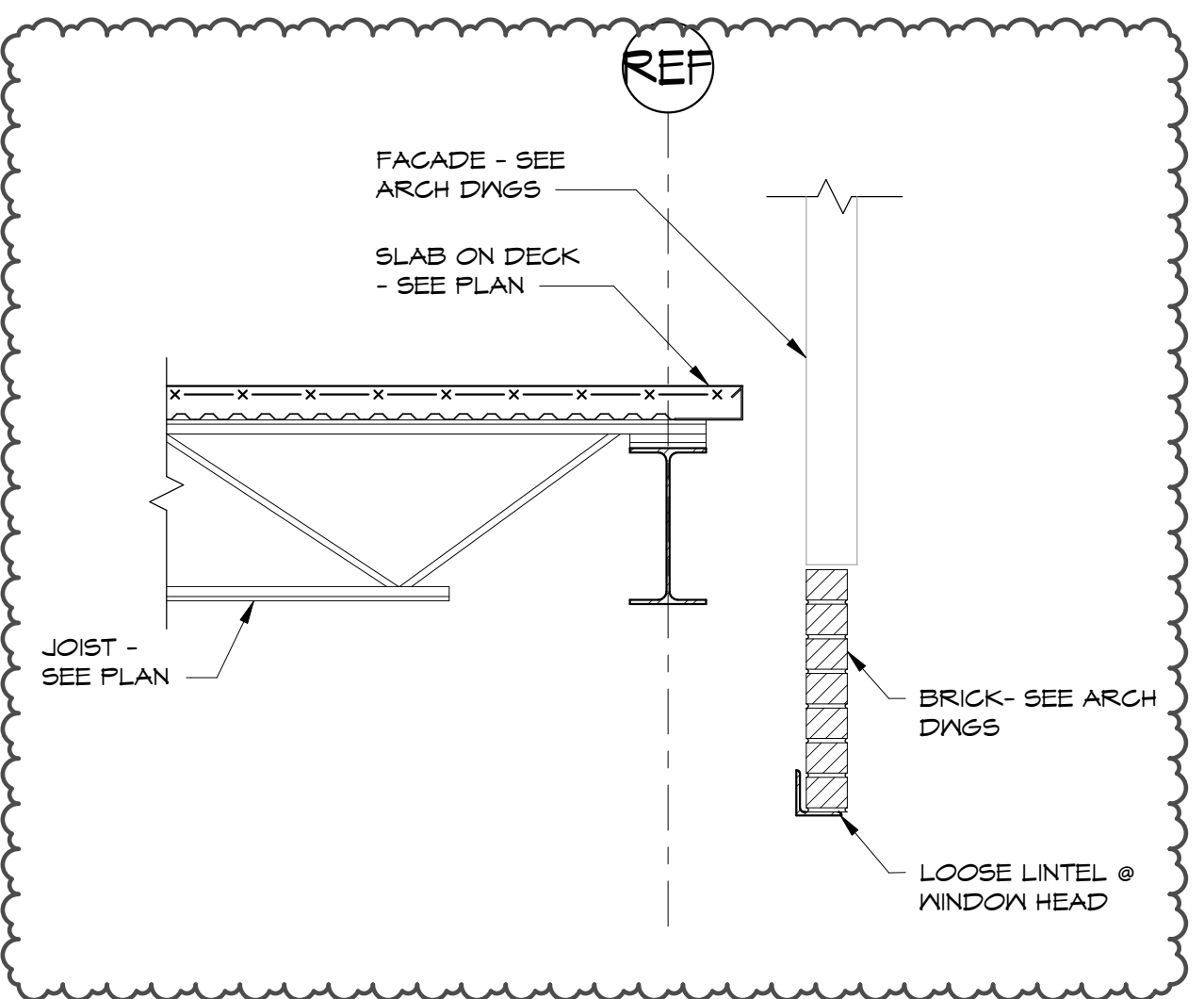
ROOF TOP SCREEN



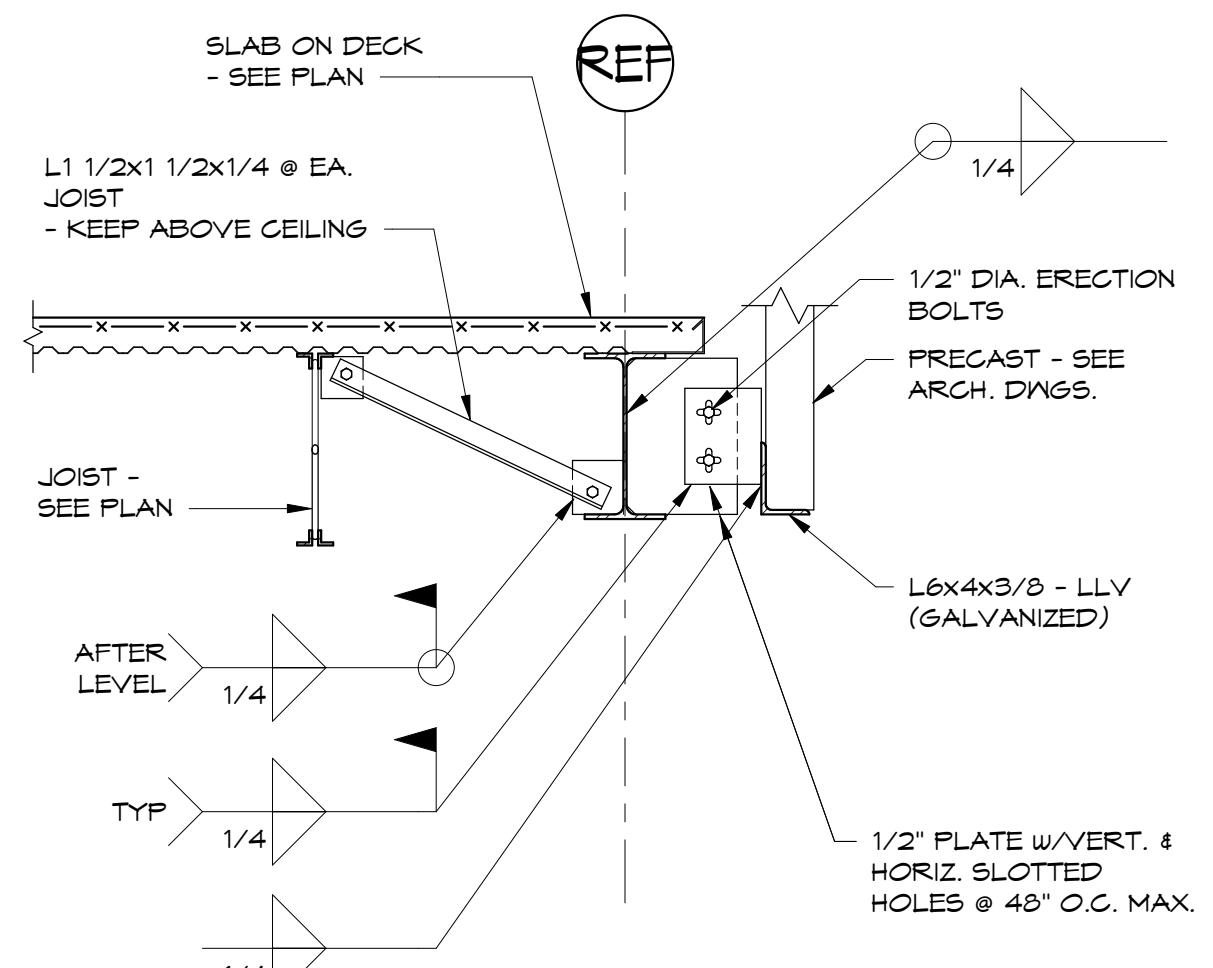
4 SECTION
55.02 3/4" = 1'-0"



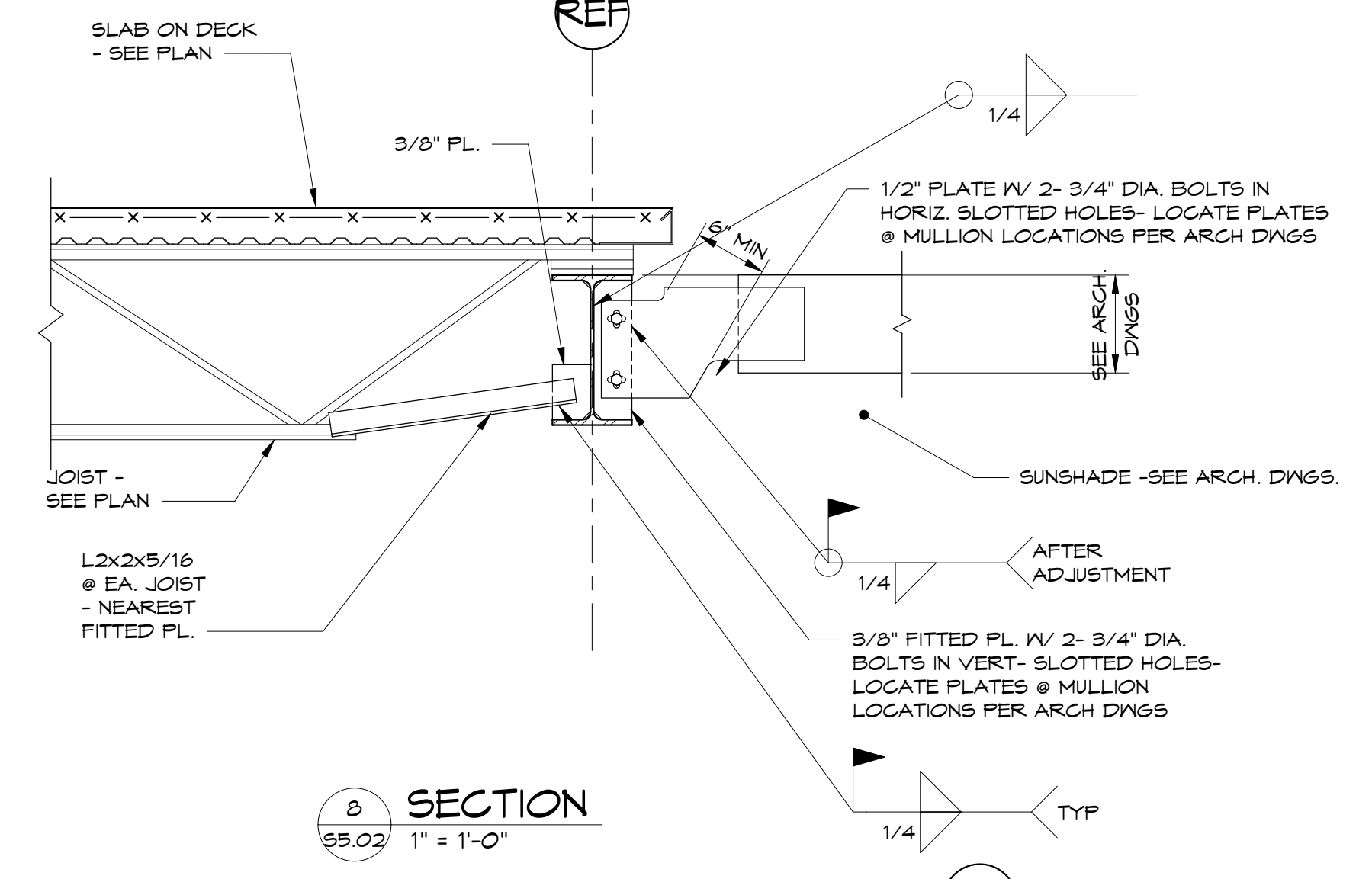
5 SECTION
55.02 3/4" = 1'-0"



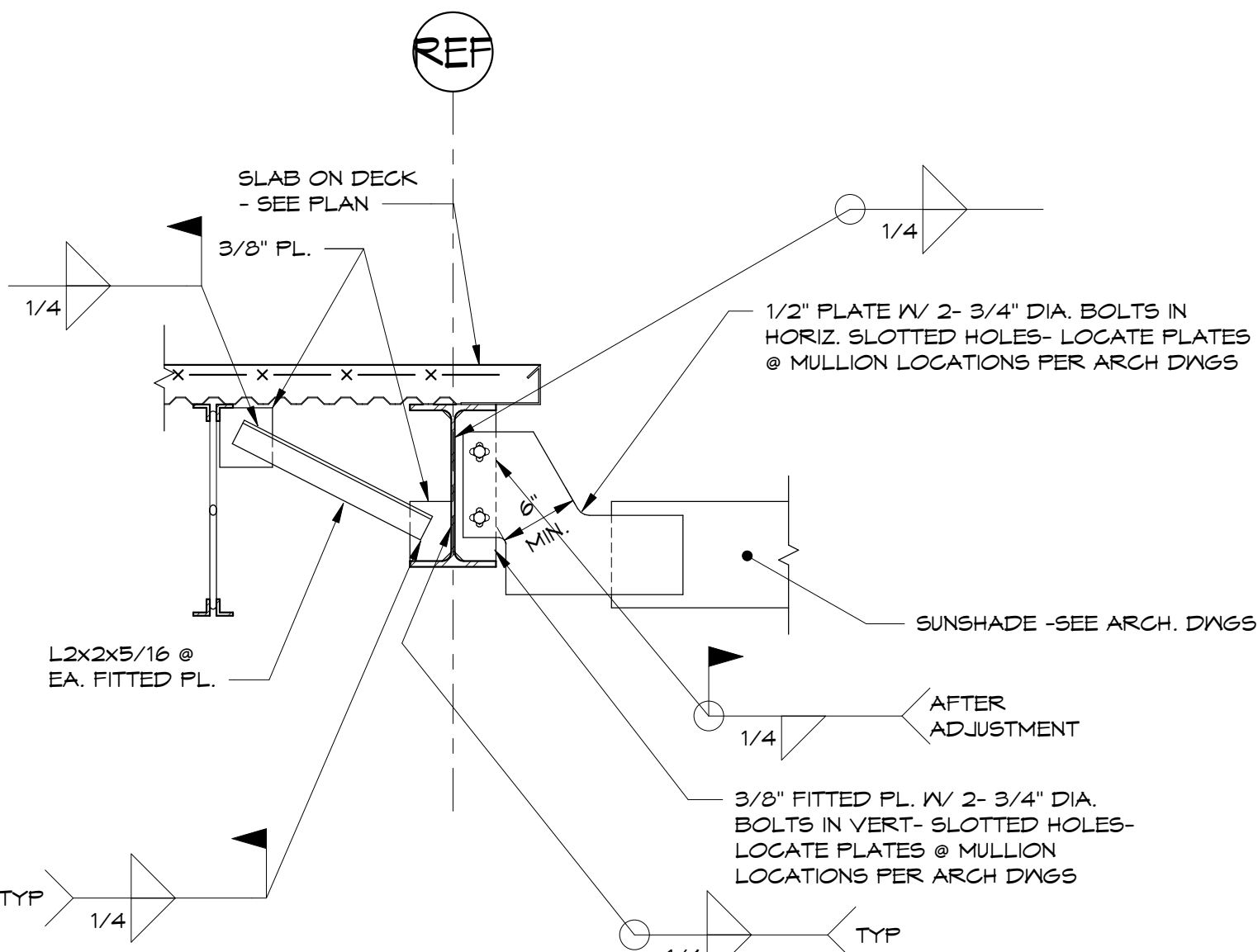
6 SECTION
55.02 3/4" = 1'-0"



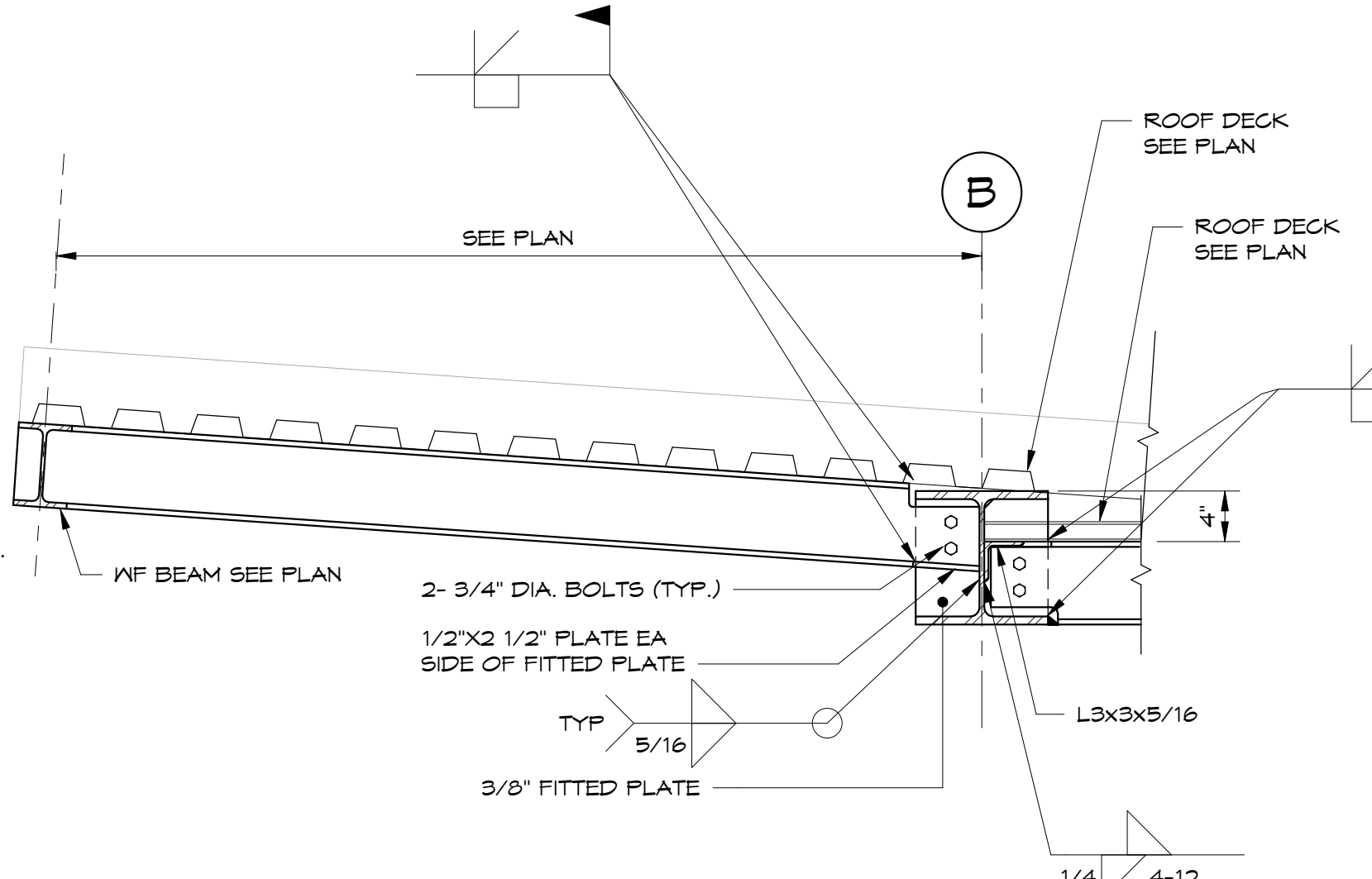
7 SECTION
55.02 3/4" = 1'-0"



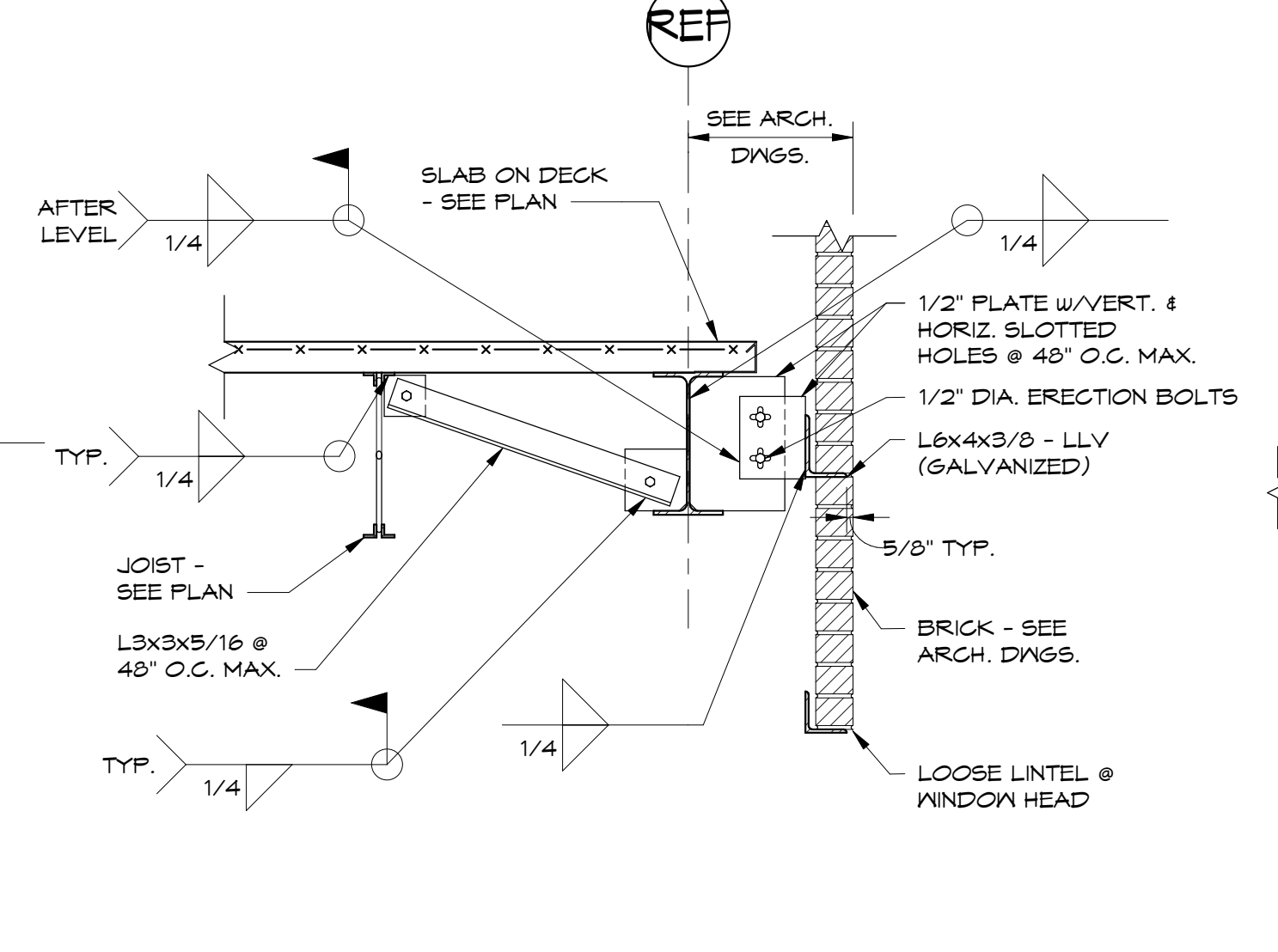
8 SECTION
55.02 1" = 1'-0"



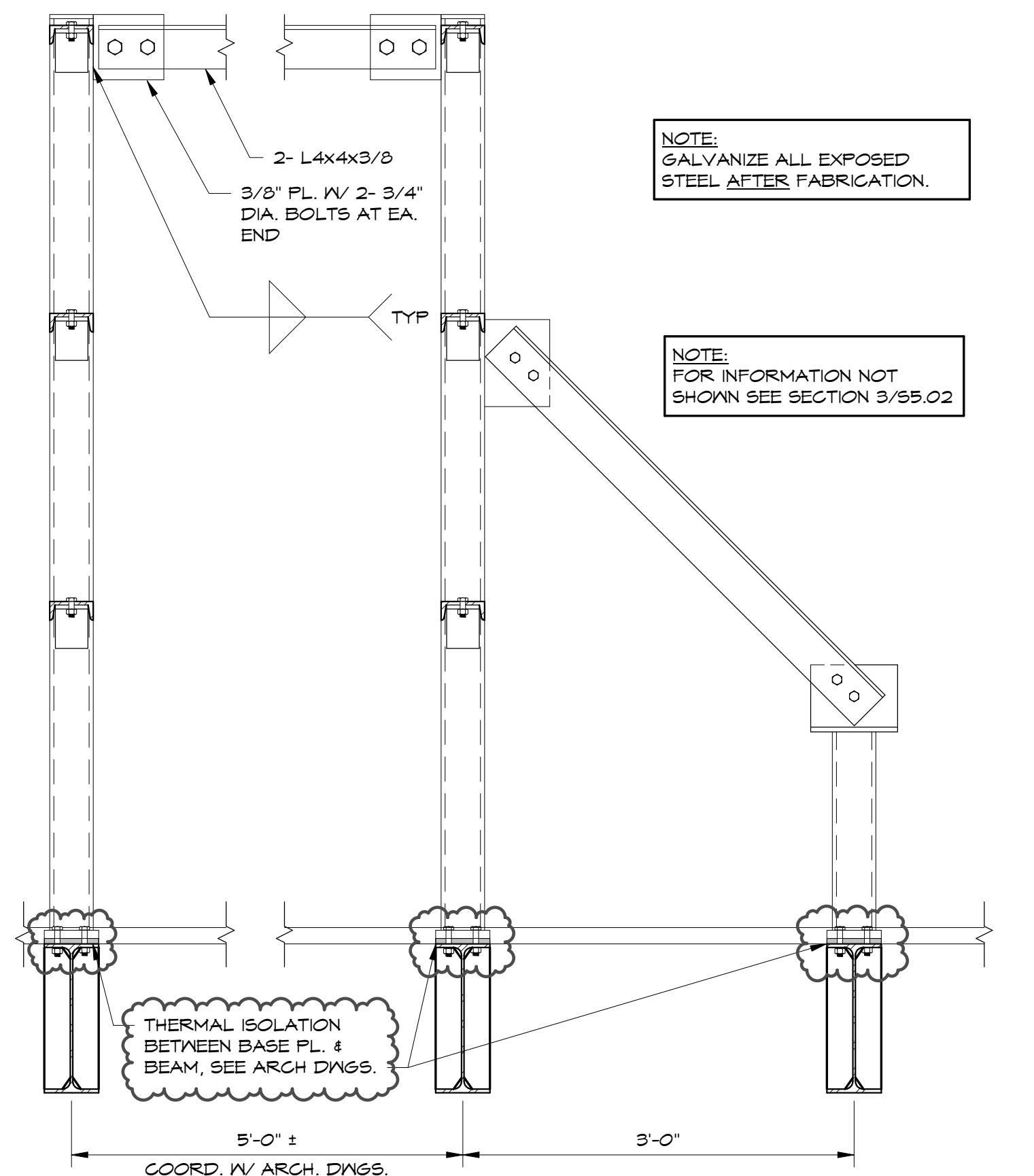
9 SECTION
55.02 1" = 1'-0"



10 SECTION
55.02 1" = 1'-0"



12 SECTION
55.02 3/4" = 1'-0"



11 SECTION
55.02 1" = 1'-0"

ROOF TOP SCREEN

STATE OF MASSACHUSETTS
RIMANTAS M. VEITAS
No. 9477
LICENSED PROFESSIONAL ENGINEER

Prepared For: **EssexNorth Portland LLC**
P.O. Box 394
Topsfield, MA 01983

Consultant: **VEITAS VEITAS architects**
680 Centre Street, Suite 101
Braintree, Massachusetts 02184
TEL: 781-843-2863 FAX: 781-849-2055

Architect: **ARCHETYPE architects**
48 Union Wharf Portland, Maine 04101
(207) 772-6022 Fax (207) 772-4056

Project: **THAMES STREET CONDOMINIUM**
20 Thames Street, Portland Maine

Revisions:
1 06/30/17 Steel Bid - Addendum #1
2 07/21/17 BID SET
3 08/15/17 Addendum #2
4 10/11/17 Addendum #3
5 10/11/17 Addendum #3 Revised

Date: **JULY 2017**
Scale: **As indicated**

SECTIONS

S5.02