

Prepared For:
**EssexNorth
 Portland LLC**
 P.O. Box 394
 Topsfield, MA 01983

Consultant:
VEITAS VEITAS
 engineers
 630 Centre Street, Suite 101
 Braintree, Massachusetts 02184
 TEL: 781-843-2863 FAX: 781-849-2055

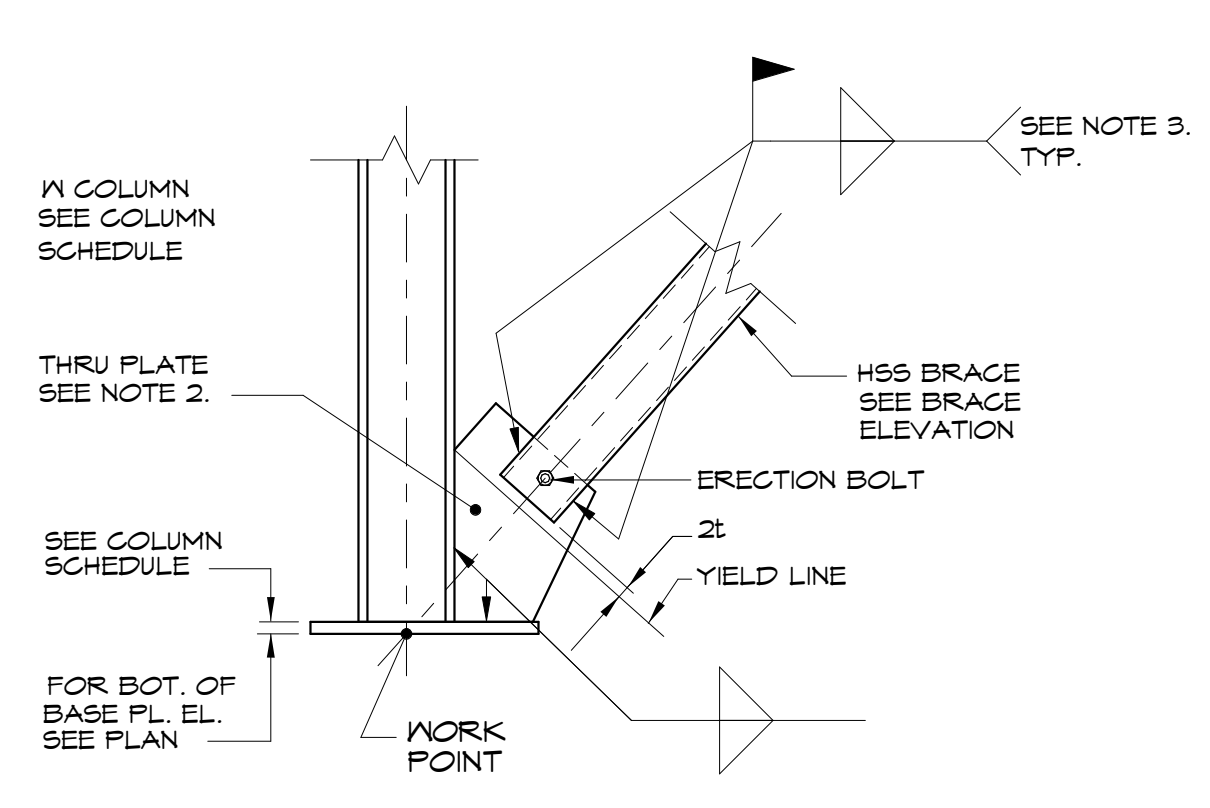
Architect:
ARCHETYPE
 architects
 48 Union Wharf Portland, Maine 04101
 (207) 772-6022 Fax (207) 772-4056

Project:
**THAMES STREET
 CONDOMINIUM**
 20 Thames Street, Portland Maine

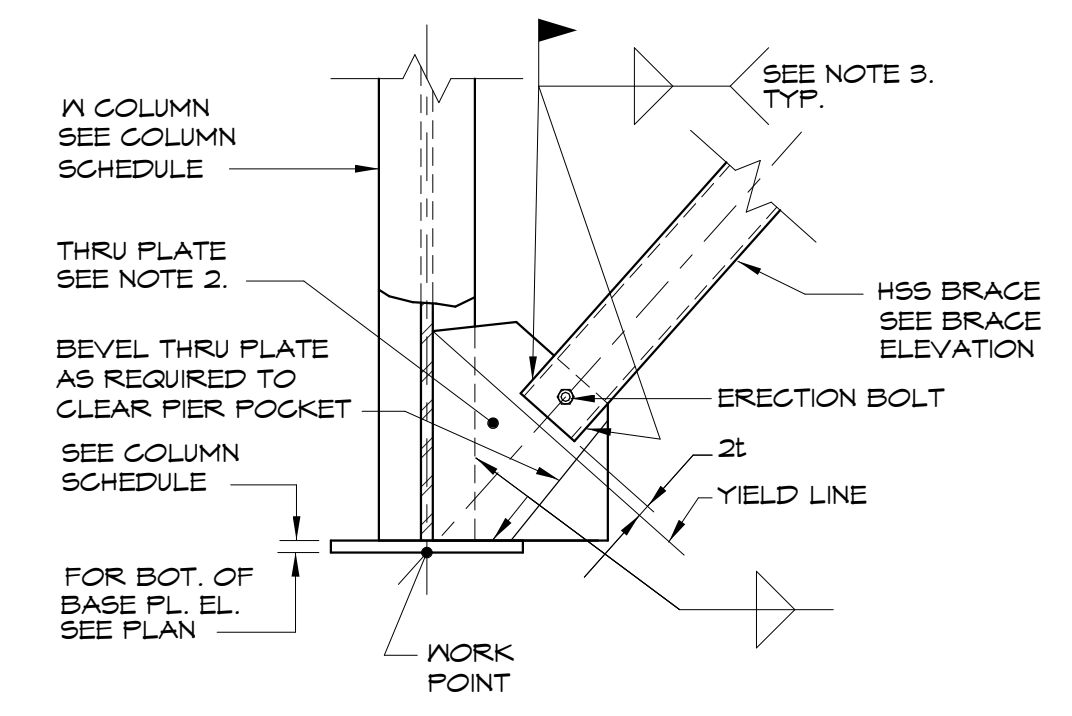
Revisions:
 5 | 10/11/17 | Addendum #3

Date: **JULY 2017**
 Scale: **As indicated**

**BRACE FRAME
 DETAILS**
S3.03

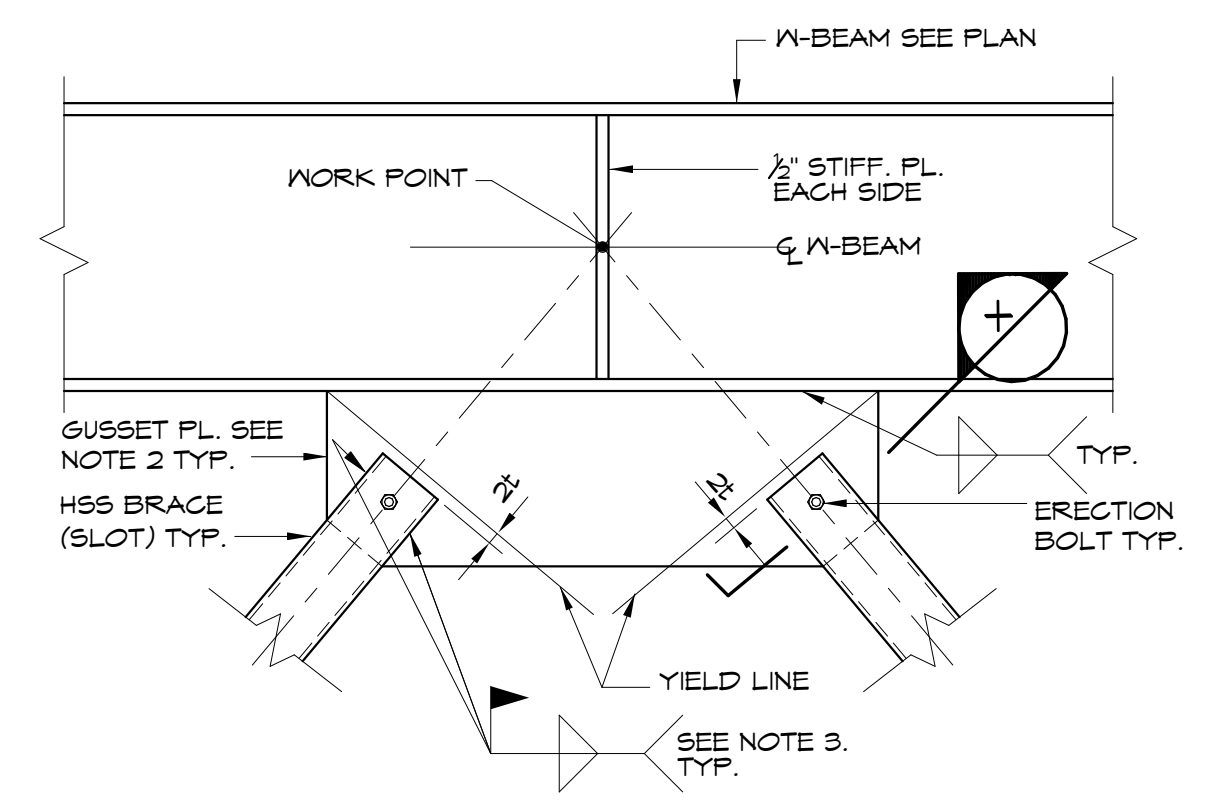


A DETAIL
 S3.03 3/4" = 1'-0"

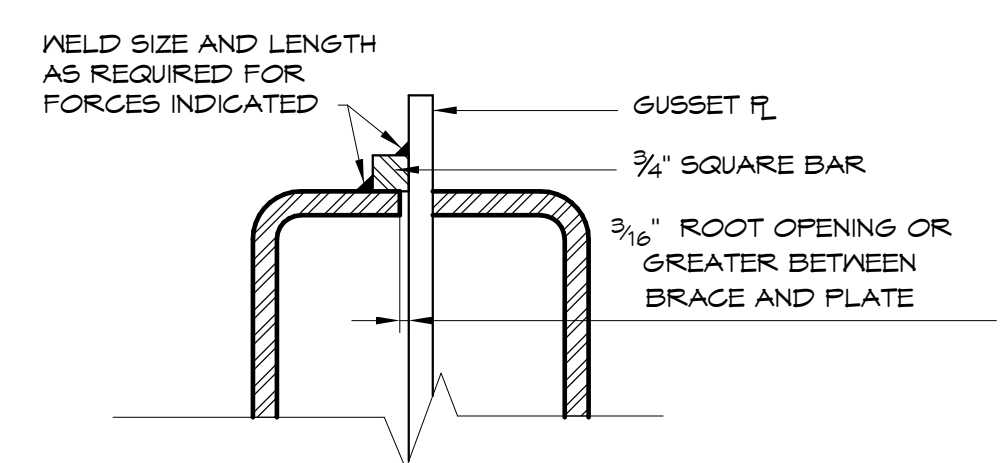


B DETAIL
 S3.03 3/4" = 1'-0"

NOTE:
 PROVIDE PARTIAL PENETRATION WELDS AT NEE TO PLATE CONNECTIONS

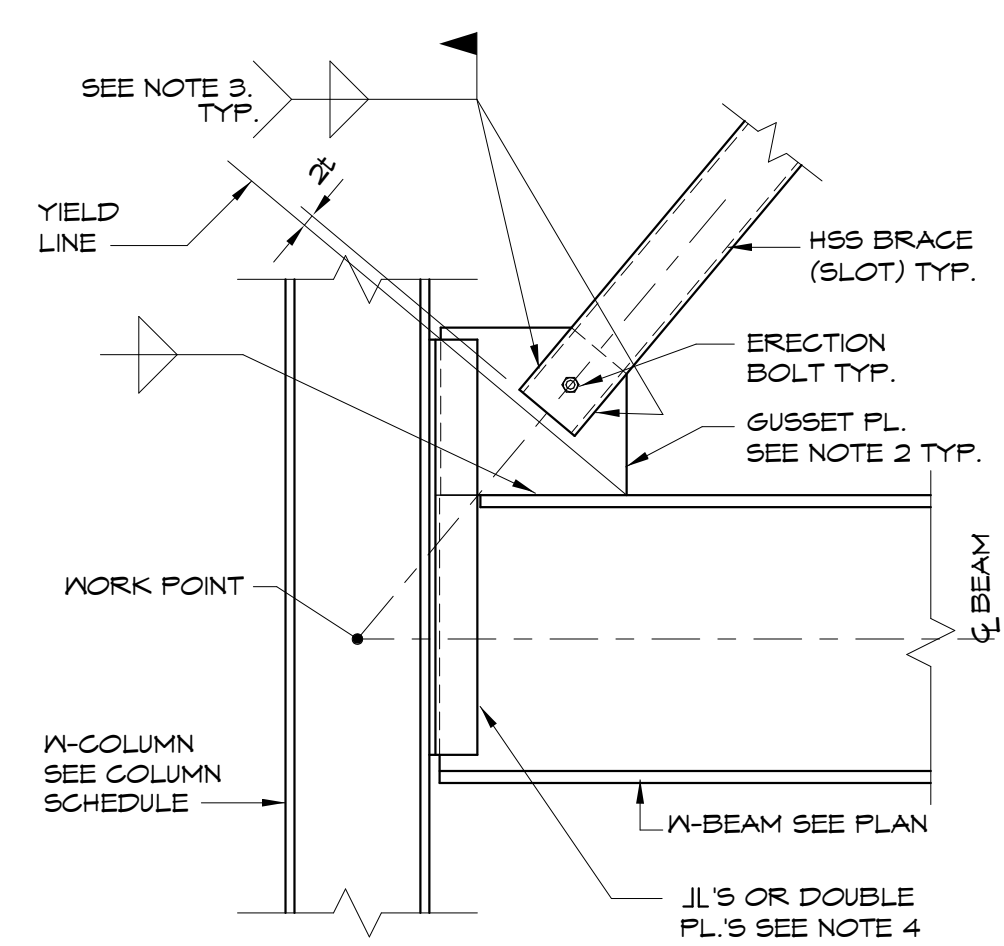


C DETAIL
 S3.03 3/4" = 1'-0"

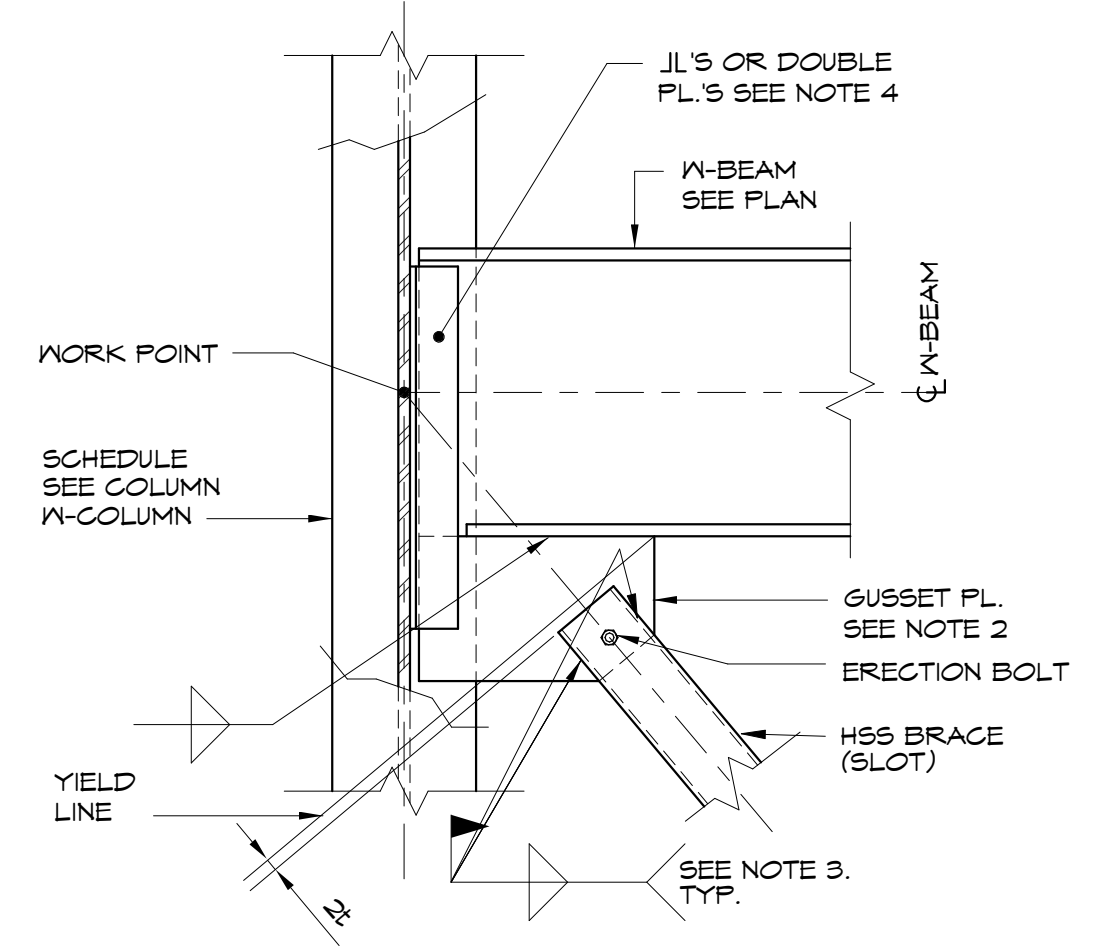


**TYPICAL REPAIR OF GAP
 BETWEEN WELDING SURFACES**

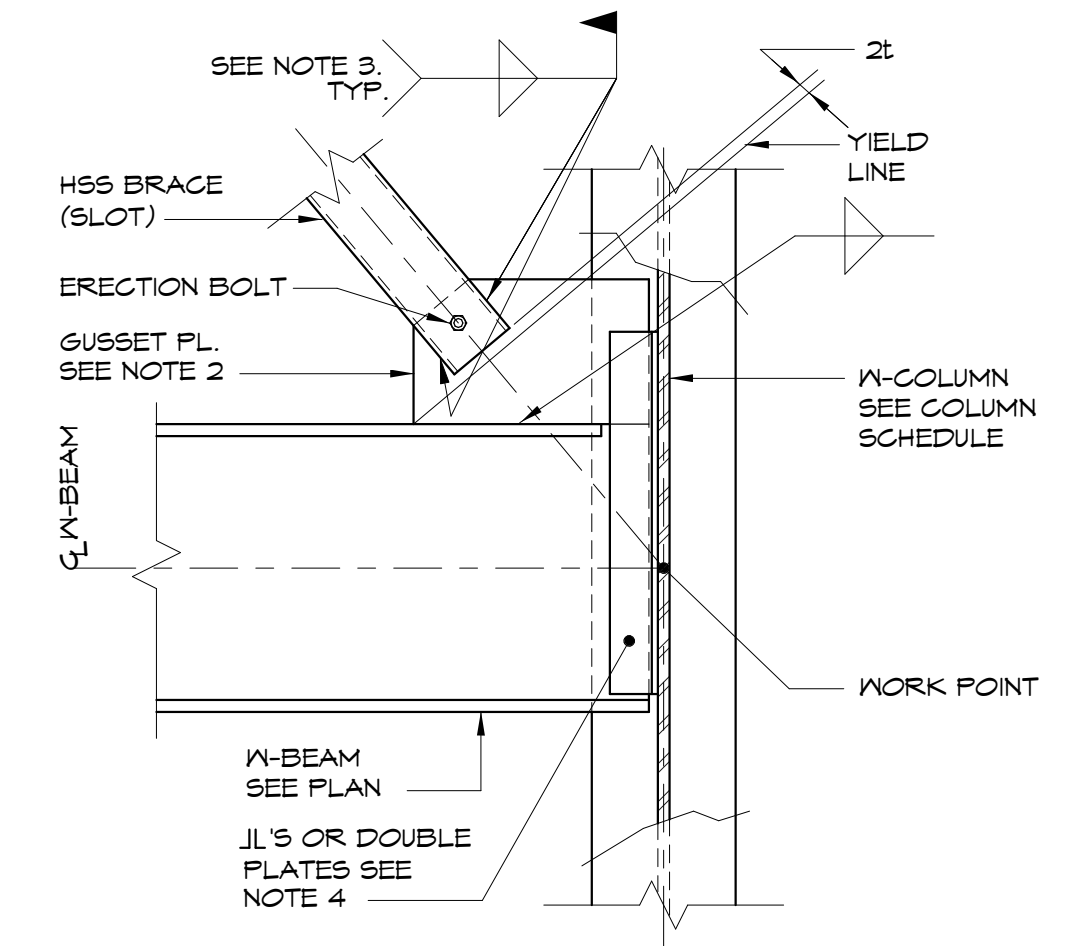
NOTE:
 IF ROOT OPENING IS 1/8" TO 3/16", INCREASE REQUIRED WELD SIZE BY THE OPENING SIZE.



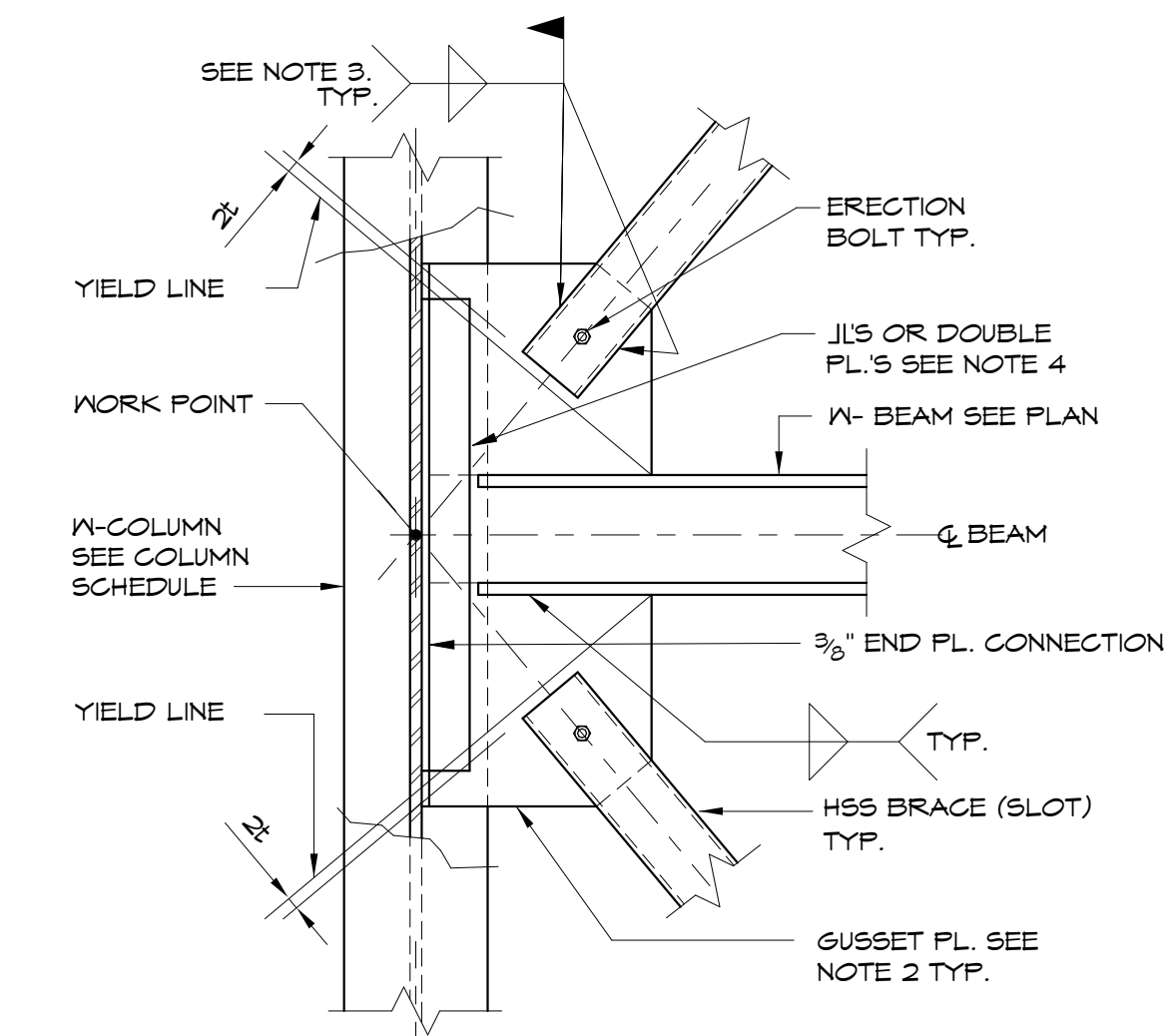
D DETAIL
 S3.03 3/4" = 1'-0"



E DETAIL
 S3.03 3/4" = 1'-0"



F DETAIL
 S3.03 3/4" = 1'-0"



G DETAIL
 S3.03 3/4" = 1'-0"

NOTE
 (105k) ETC. INDICATES FACTORED (ASD)
 AXIAL FORCE IN THE BRACE MEMBERS FOR
 THE USE IN CONNECTION DESIGN. TO
 CHANGE ASD LOAD TO LRFD MULTIPLY ASD
 BY 1.5 (LRFDx1.5 = ASD).
 (105k) ETC. INDICATES NET UPLIFT

- BRACE DETAIL NOTES:**
1. FOR NUMBER, SIZE AND LENGTHS OF ANCHOR BOLTS SEE BASE PLATE DETAILS
 2. ALL BRACE GUSSET PLATES TO BE 1/2" THICK MIN.
 3. DETAILER TO PROVIDE SIZE AND LENGTH OF FIELD FILLET WELDS OF HSS BRACE TO PLATES ON THE ERECTION DRAWINGS.
 4. SHEAR CAPACITY OF CONNECTION TO BE BRACING LOAD PLUS BEAM SHEAR INDICATED ON PLANS.
 5. DETAILER TO REVIEW INSTALLATION OF BRACE MEMBER. SUBMIT DIAGRAM INDICATING HOW BRACE WILL FIT.