

PIER SCHEDULE				
MARK	TYPE	SIZE (AxB)	REINFORCING	TIES
P1	A	24"x24"	8-#8 VERT.	#4@12"
P2	B	24"x24"	8-#8 VERT.	#4@12"
P3	C	24"x24"	8-#8 VERT.	#4@12"

Prepared For:
**EssexNorth
 Portland LLC**
 P.O. Box 394
 Topsfield, MA 01983

Consultant:
**VEITAS VEITAS
 DUB** engineers
 630 Corvallis Street, Suite 101
 Braintree, Massachusetts 02184
 TEL 781.843.2863 FAX 781.849.2055

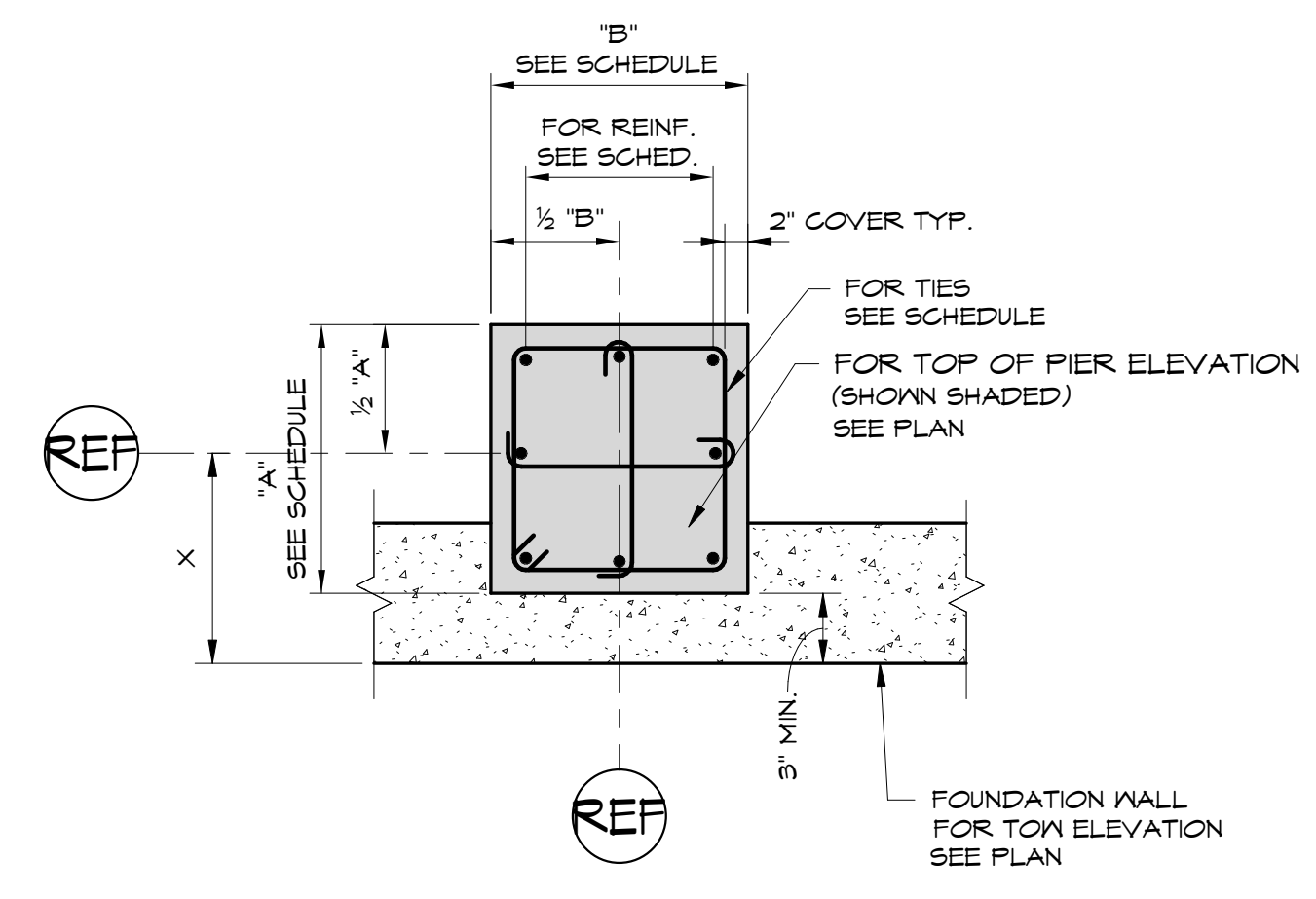
Architect:
ARCHETYPE
 architects
 48 Union Wharf Portland, Maine 04101
 (207) 772-6022 Fax (207) 772-4056

Project:
**THAMES STREET
 CONDOMINIUM**
 20 Thames Street, Portland Maine

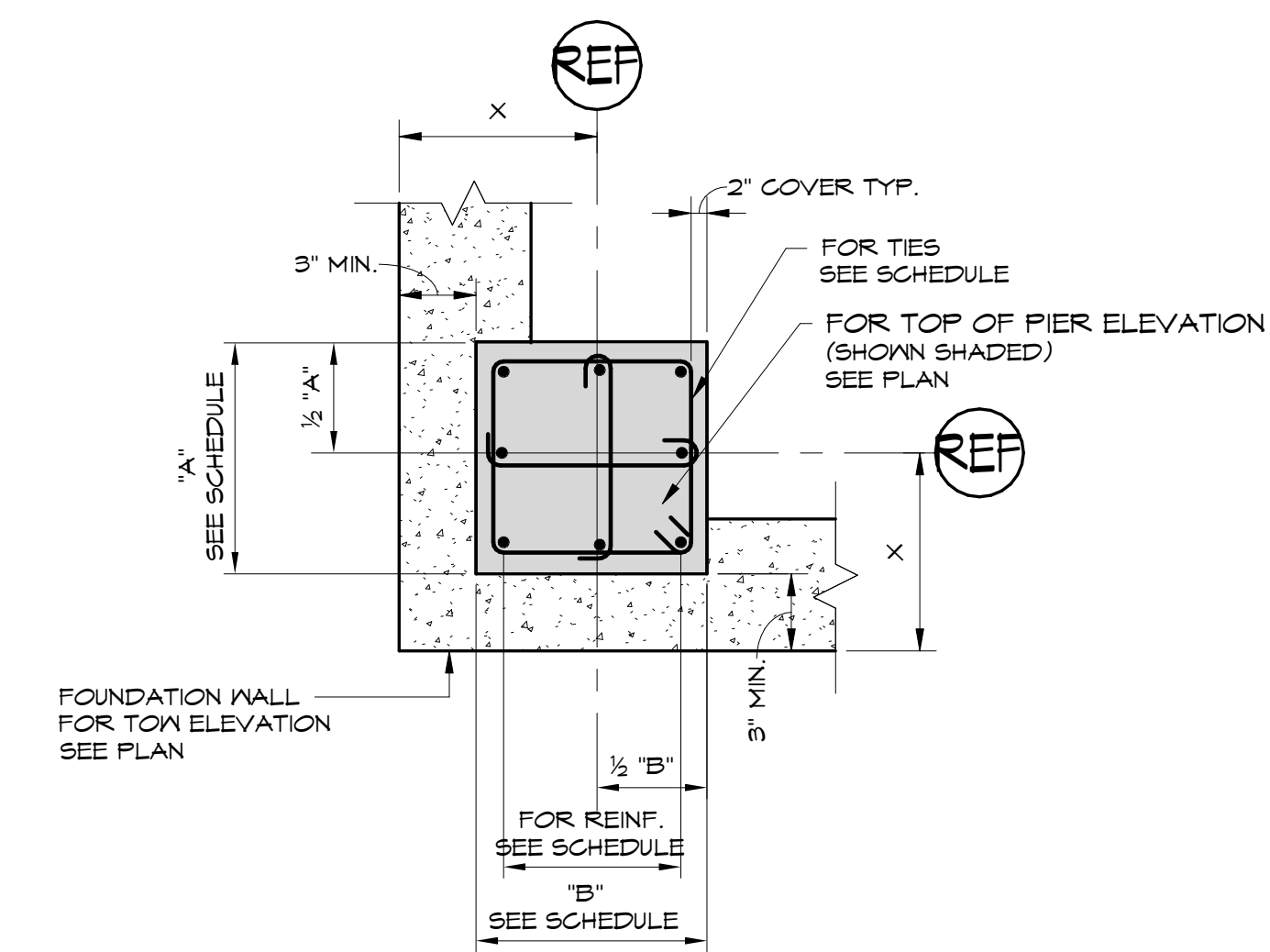
Revisions:
2 07/21/17 BID SET
5 10/11/17 Addendum #3

Date: JULY 2017
 Scale: 3/4" = 1'-0"
PIER DETAILS

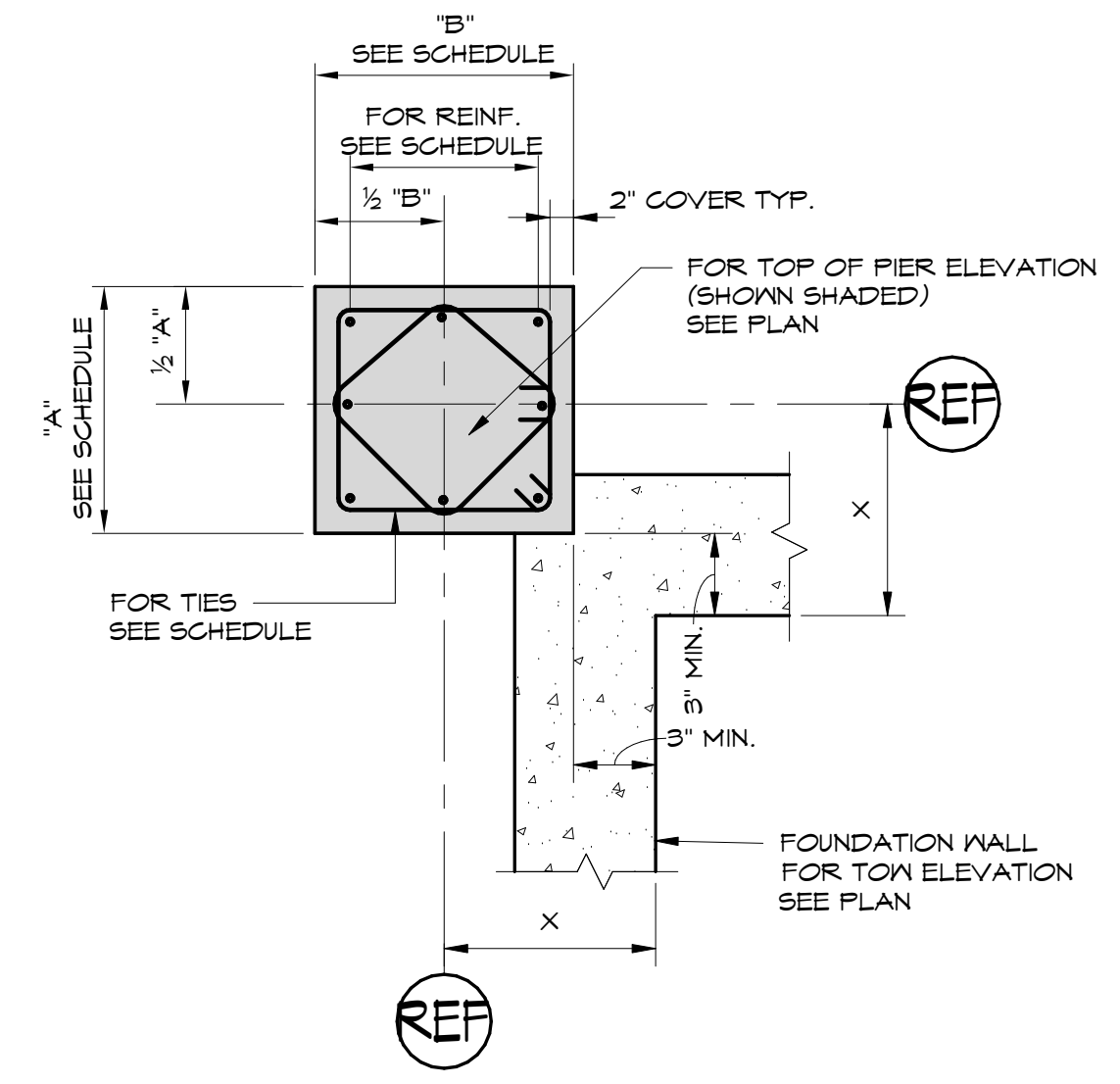
S3.02



PIER DETAIL TYPE A



PIER DETAIL TYPE B



PIER DETAIL TYPE C