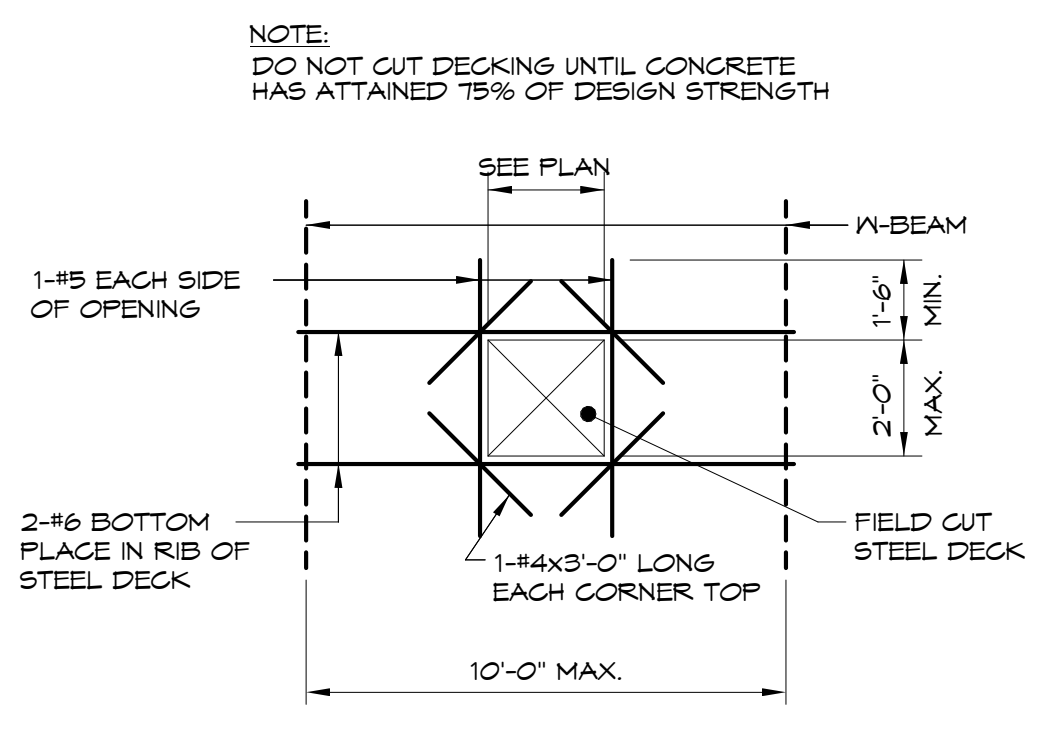
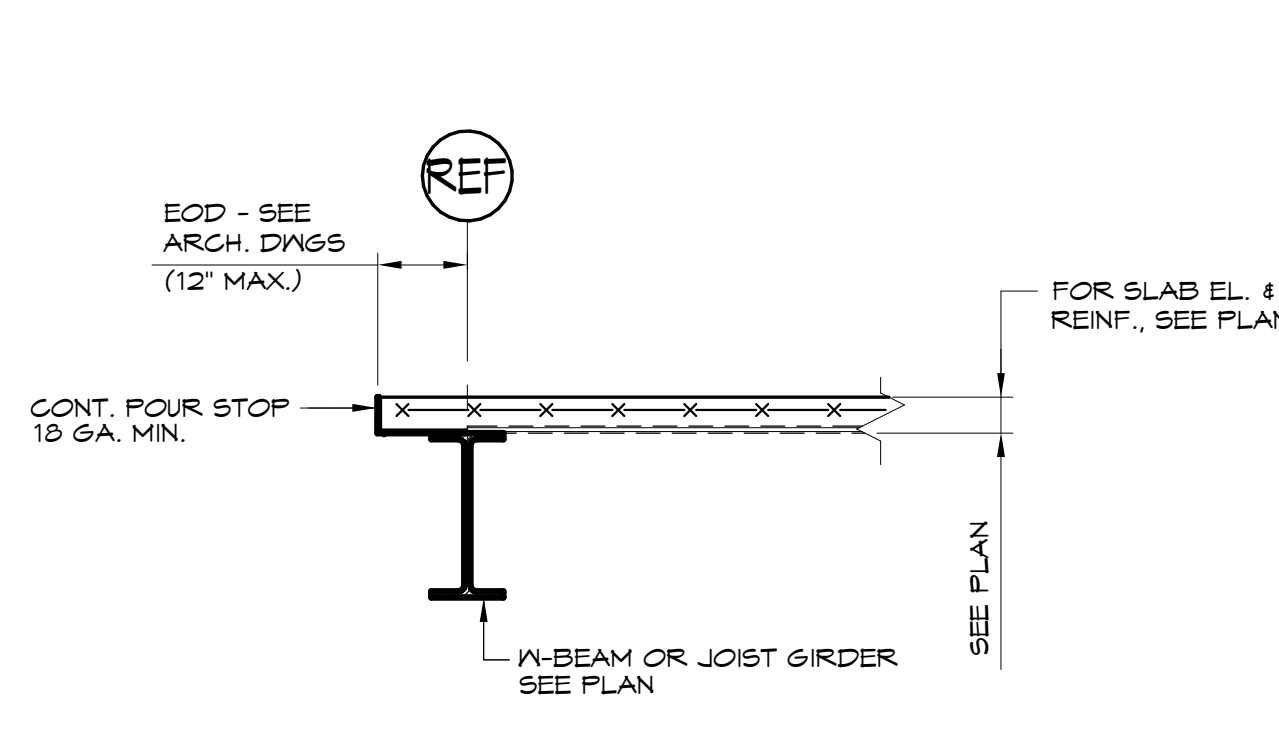


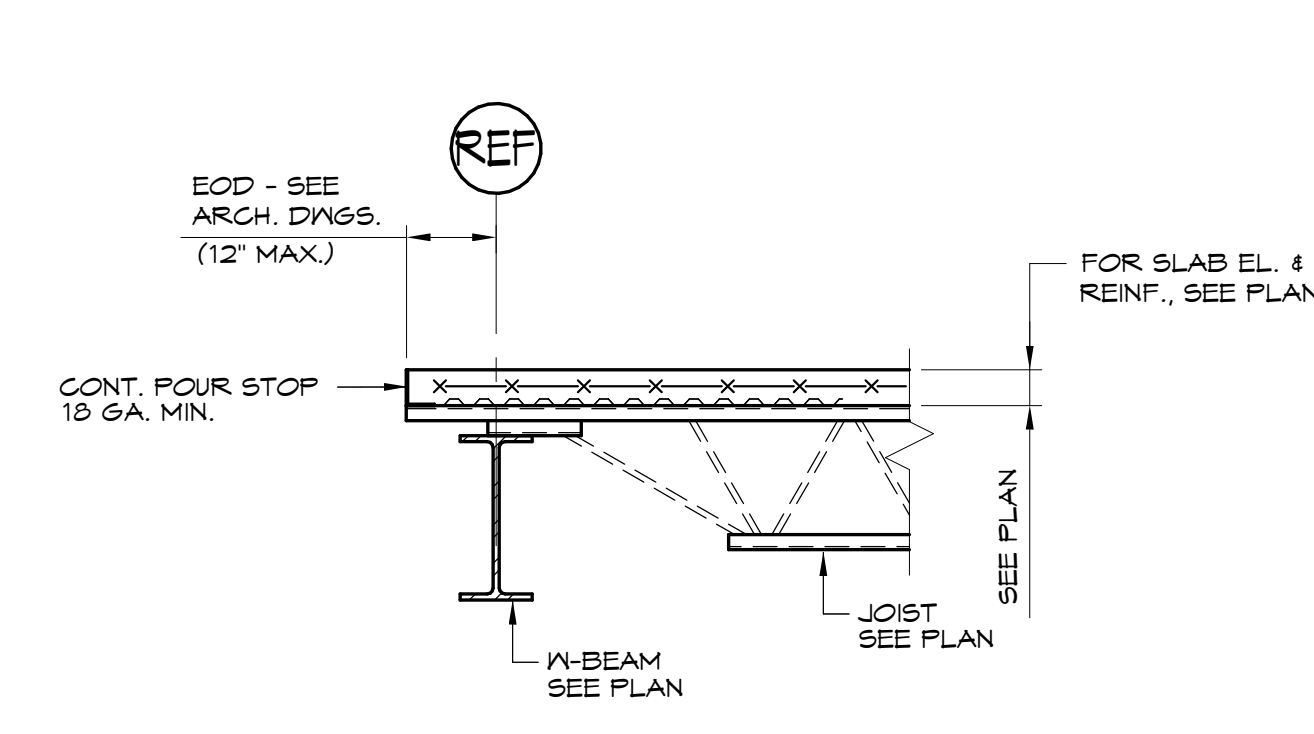
TYPICAL FLOOR OPENING FRAMING DETAIL



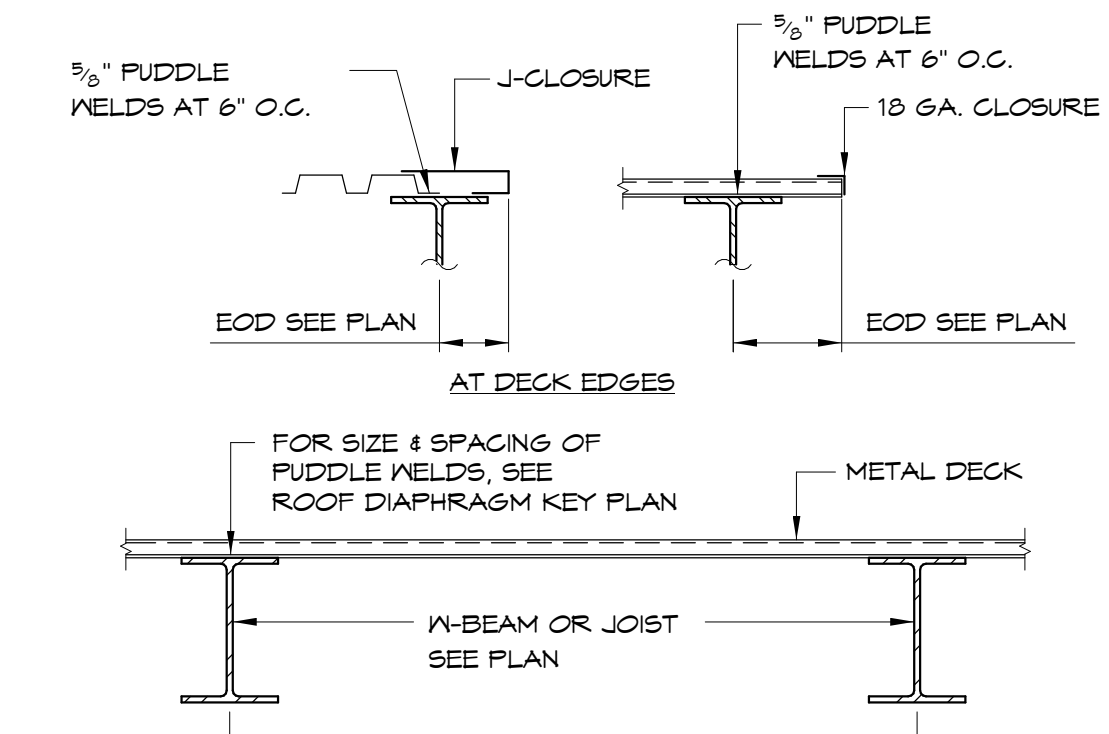
FLOOR OPENING IN CONCRETE ON STEEL DECK



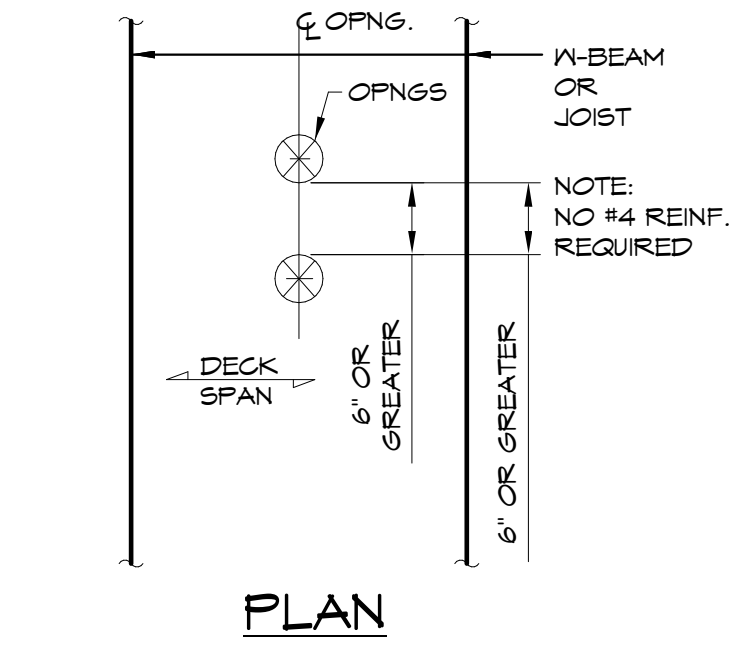
TYPICAL CONCRETE FLOOR EDGE DETAIL (FORM DECK)



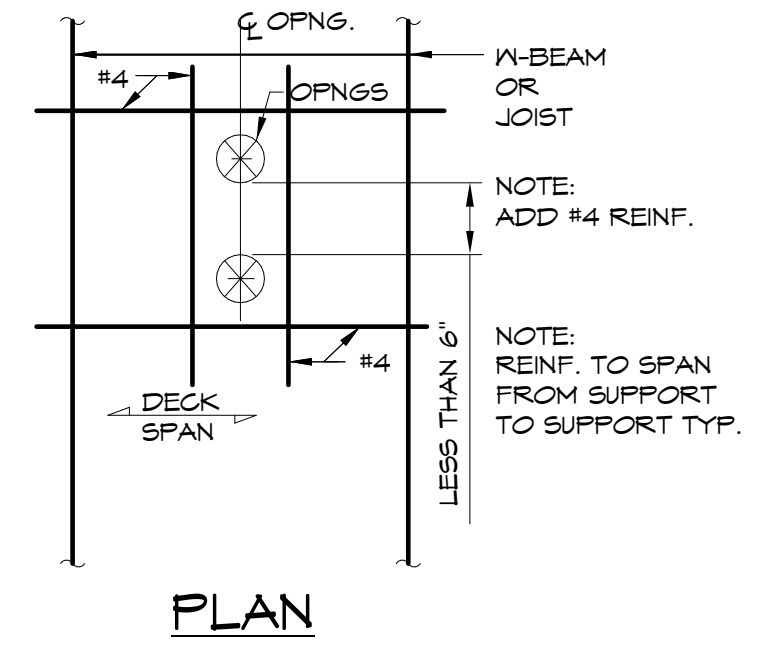
TYPICAL CONCRETE FLOOR EDGE DETAIL (FORM DECK)



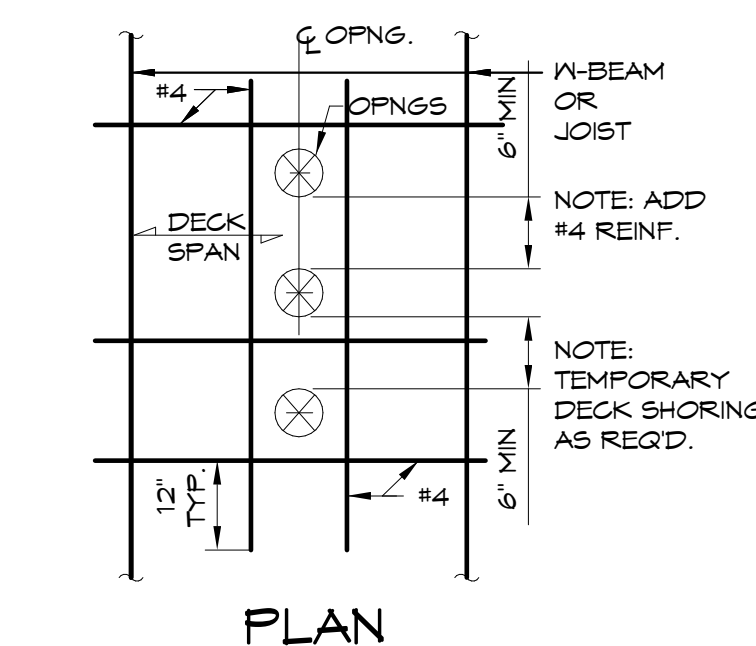
ROOF CONSTRUCTION



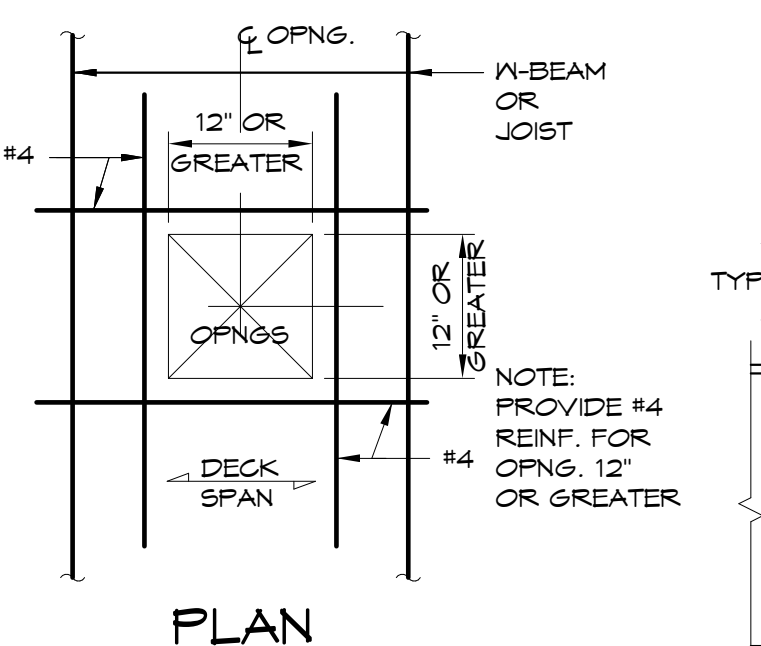
PLAN



PLAN

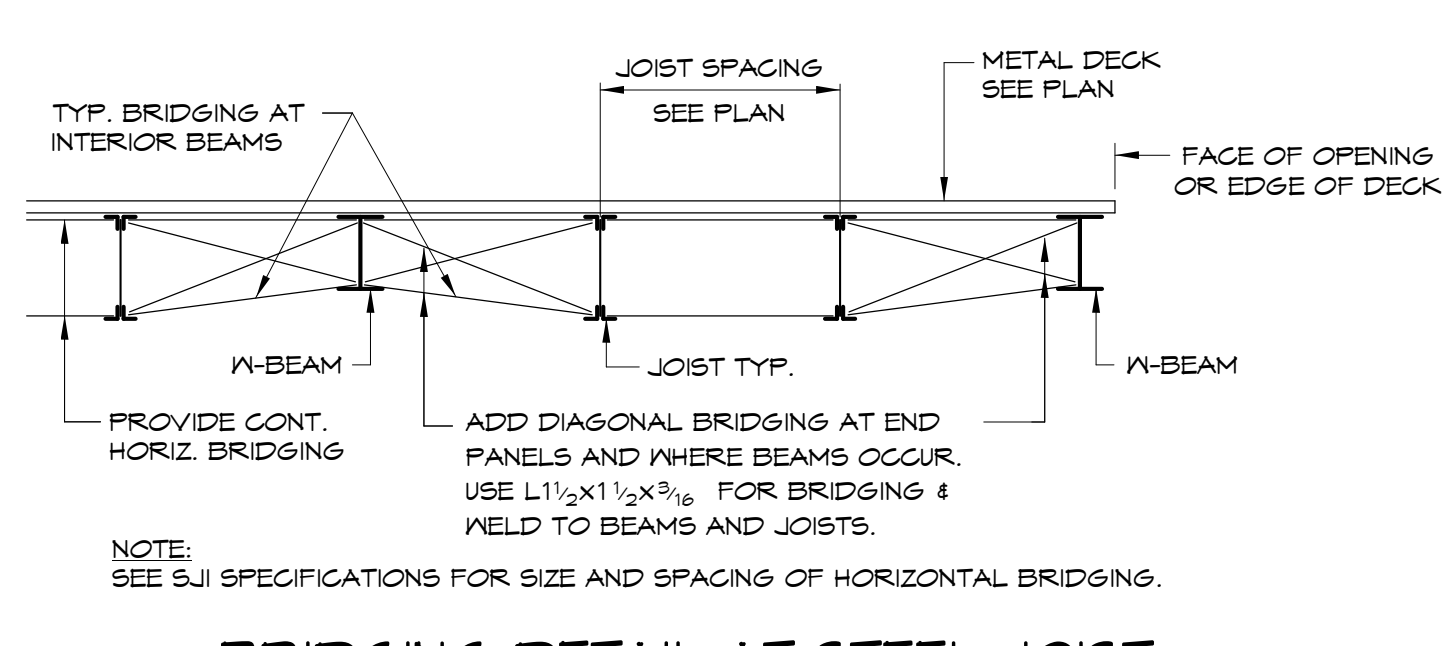


PLAN

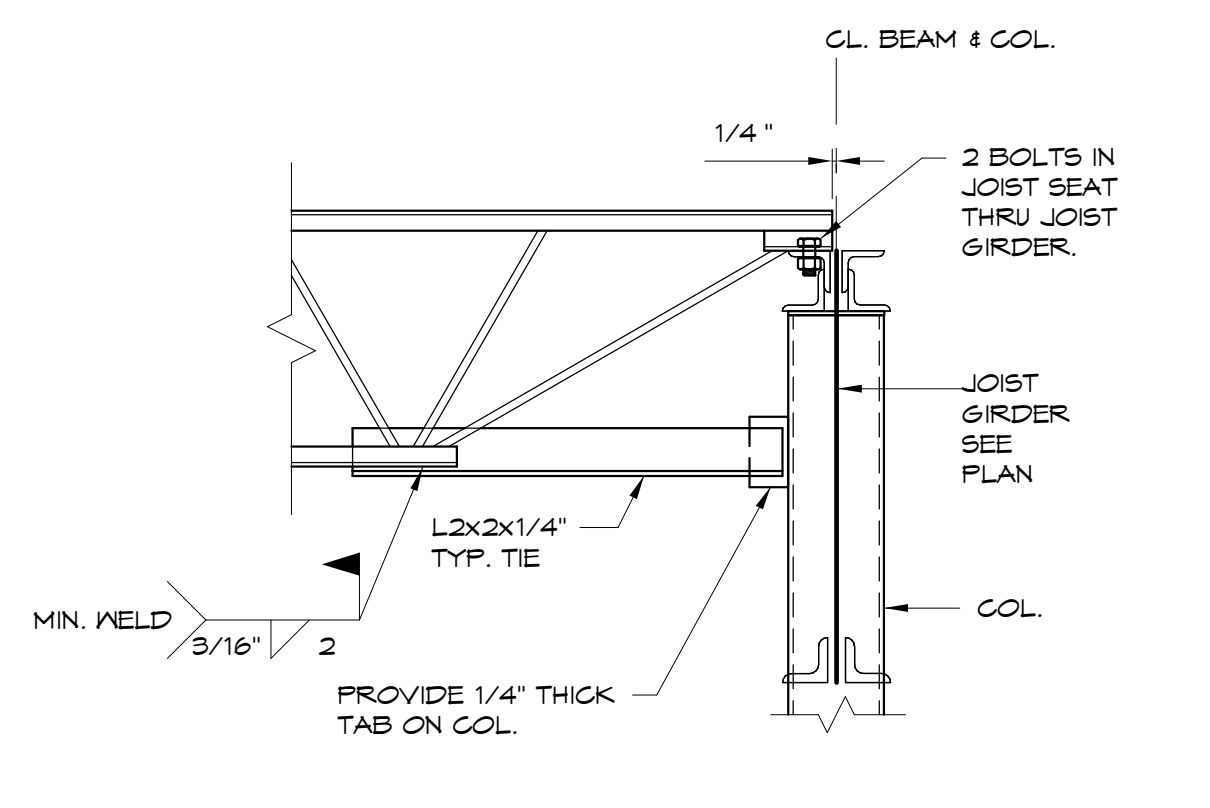


PLAN

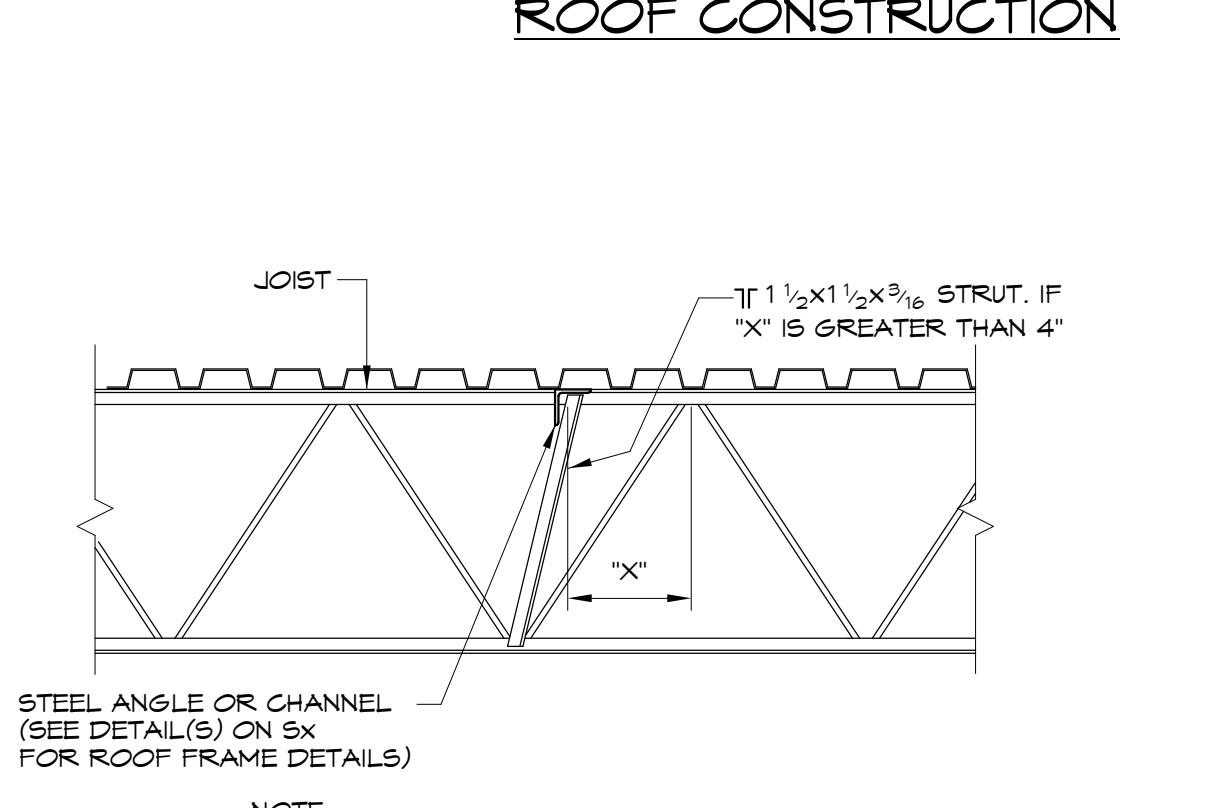
TYPICAL SLEEVE OPENING REINFORCING DETAIL IN CONCRETE ON STEEL DECK



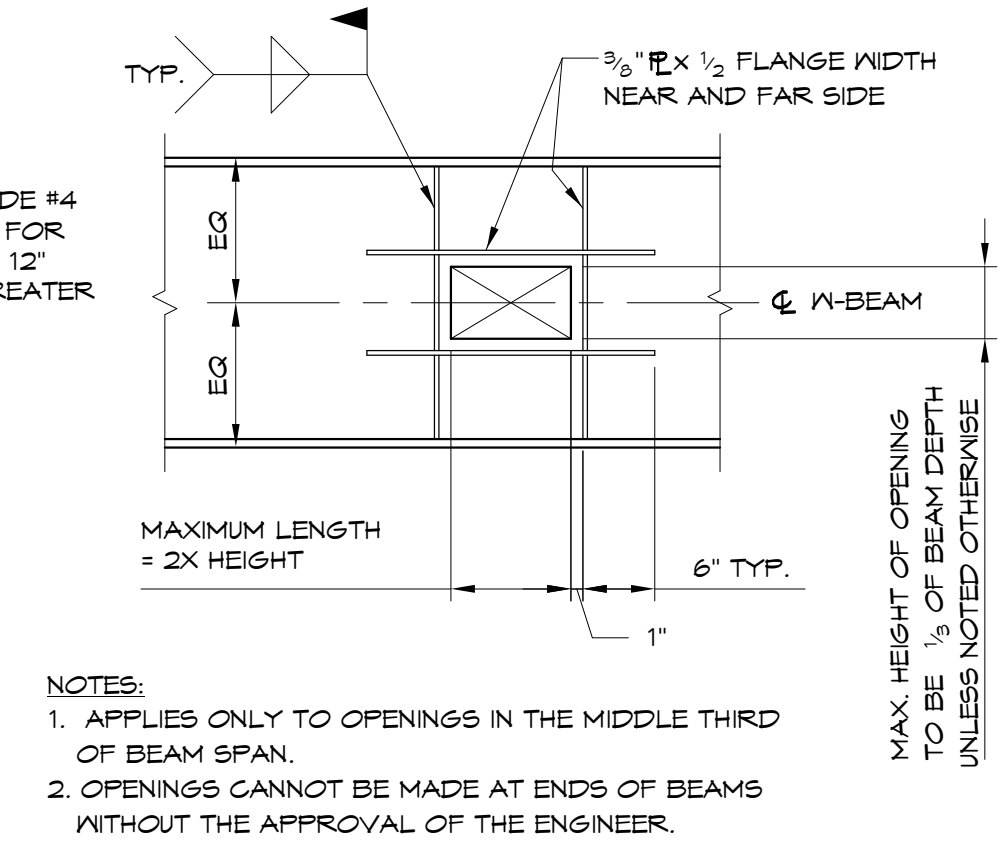
BRIDGING DETAIL AT STEEL JOIST



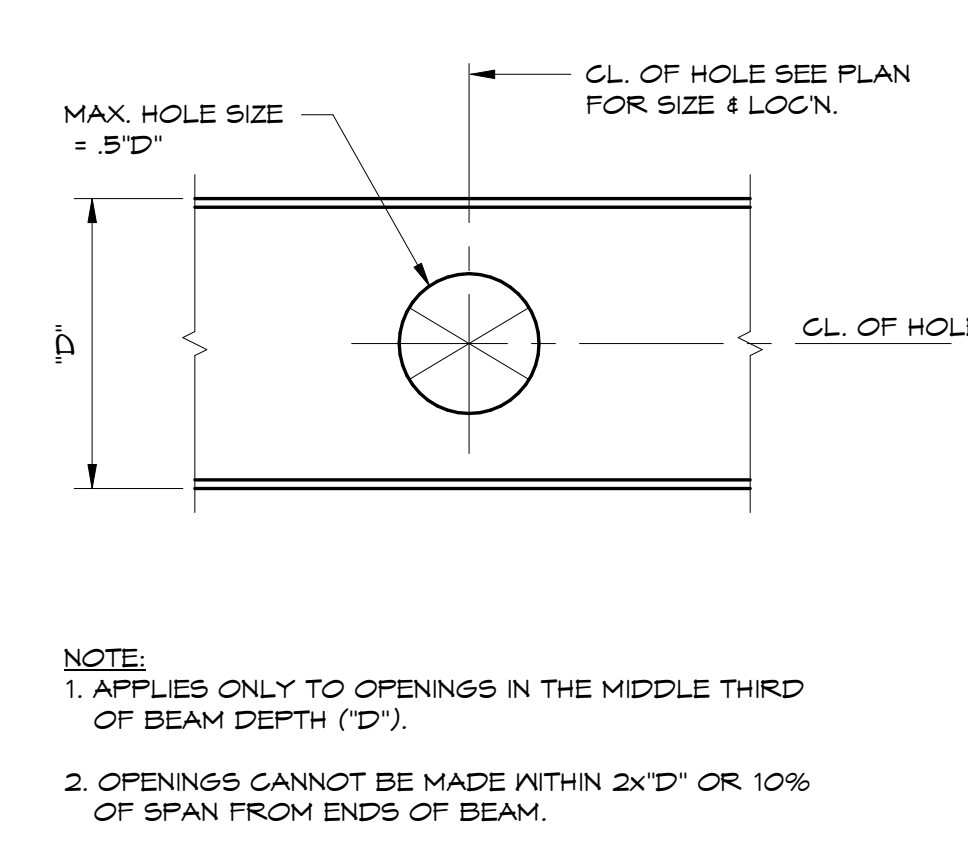
TYPICAL TIE JOIST DETAIL



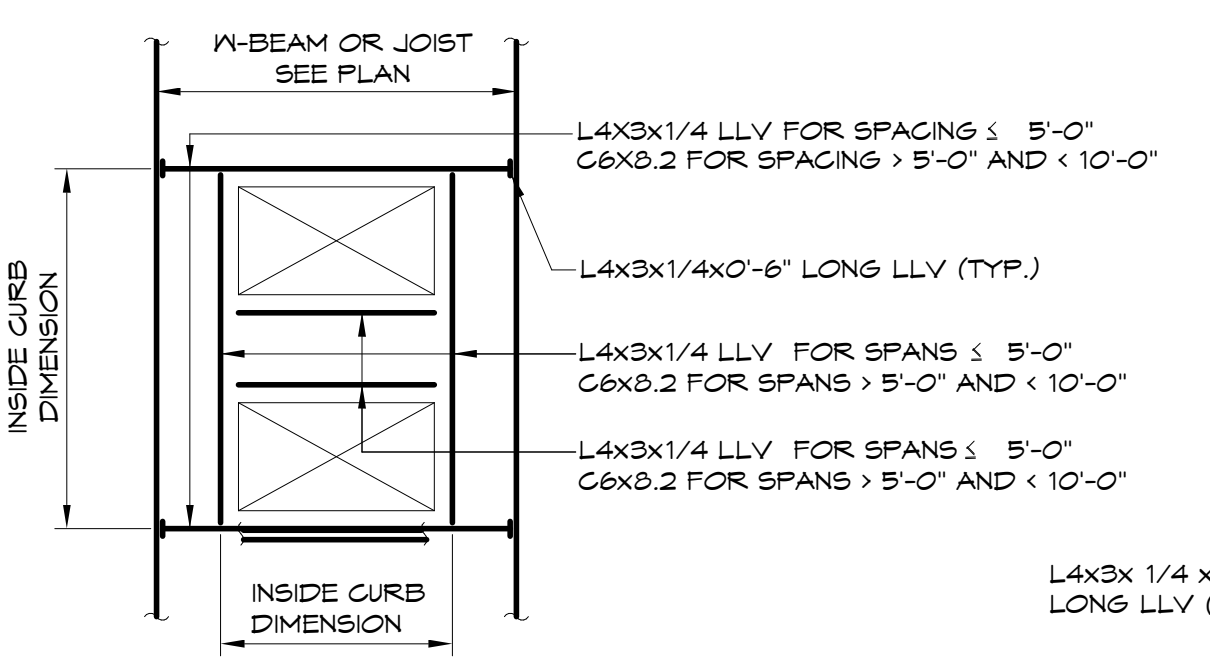
TYPICAL JOIST DETAIL UNDER RTU



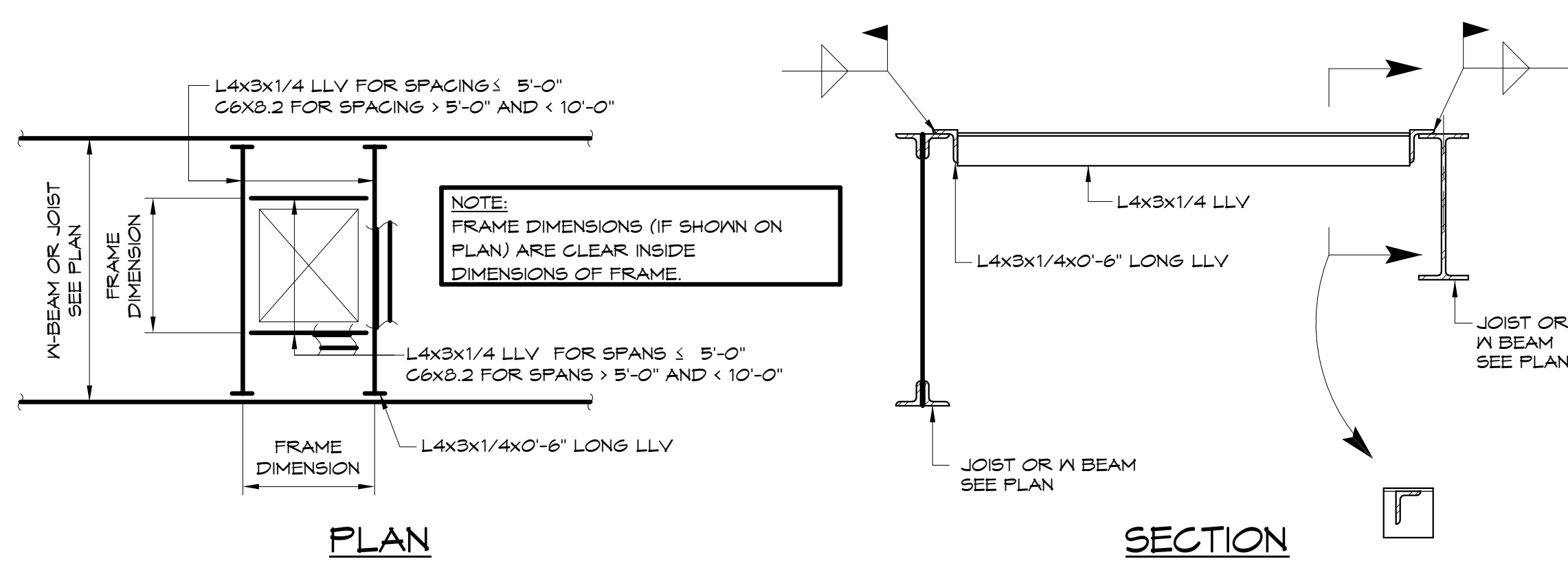
BEAM WEB OPENING REINFORCING DETAIL



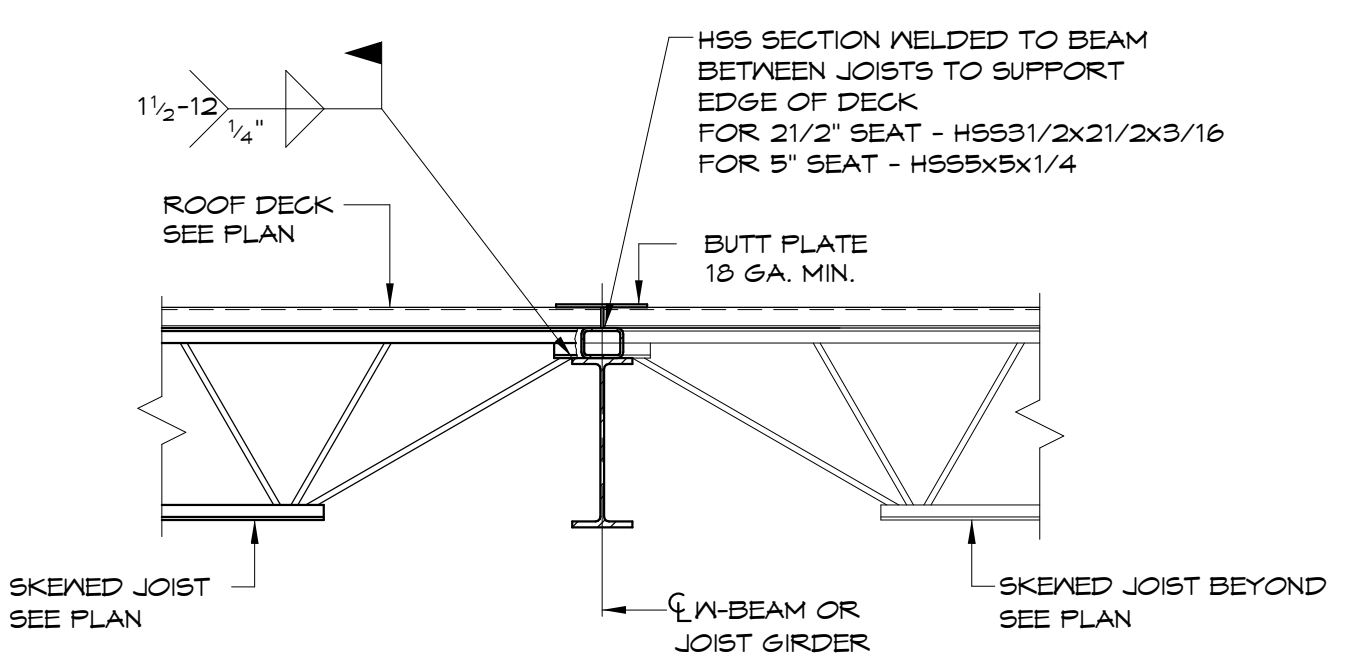
HOLE THRU BEAM WEB DETAIL



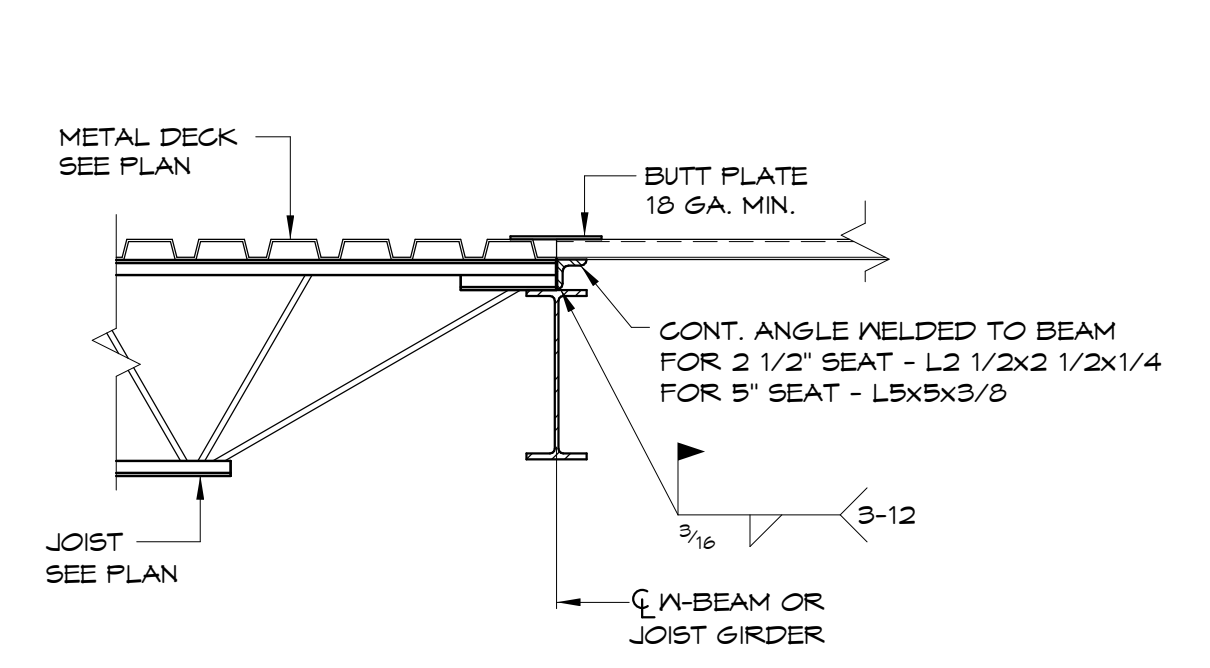
ROOF TOP UNIT FRAME DETAIL



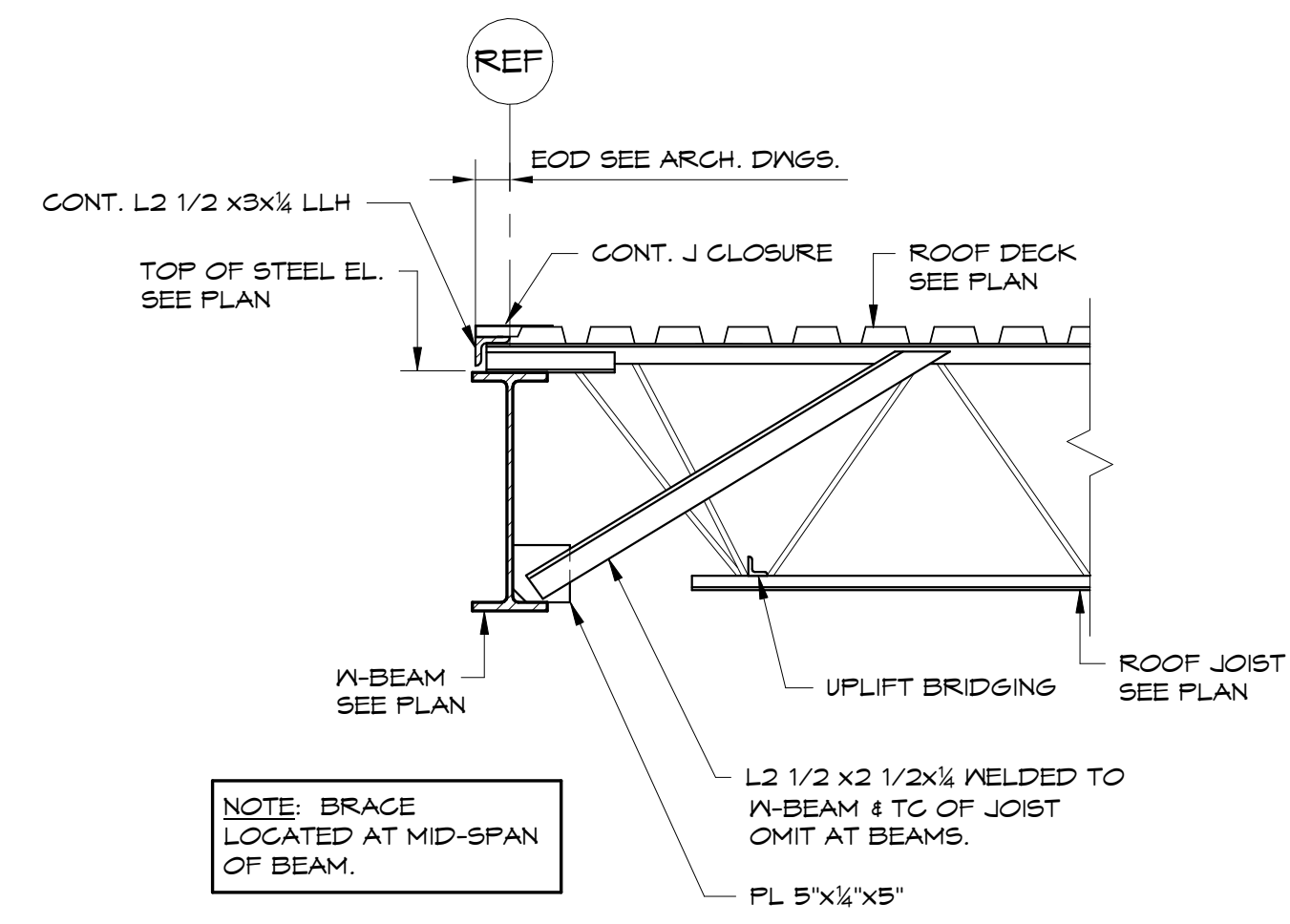
TYPICAL ROOF OPENING FRAMING



SKEWED CHANGE IN DIRECTION OF DECK AT ROOF



CHANGE IN DIRECTION OF DECK



ROOF JOIST DETAIL

STATE OF MASSACHUSETTS
 RIMANTAS M. VEITAS
 No. 9477
 REGISTERED PROFESSIONAL ENGINEER

Prepared For: **EssexNorth Portland LLC**
 P.O. Box 394
 Topsfield, MA 01983

Consultant: **VEITAS VEITAS ARCHITECTS**
 680 Granite Street, Suite 101
 Braintree, Massachusetts 02184
 TEL: 781-843-2863 FAX: 781-843-2055

Architect: **ARCHITECTURE**
 48 Union Wharf Portland, Maine 04101
 (207) 772-6022 Fax (207) 772-4056

Project: **THAMES STREET CONDOMINIUM**
 20 Thames Street, Portland Maine

Revisions:
 5 10/11/17 Addendum #3

Date: **JULY 2017**
 Scale: **As indicated**

TYPICAL DETAILS

S2.05