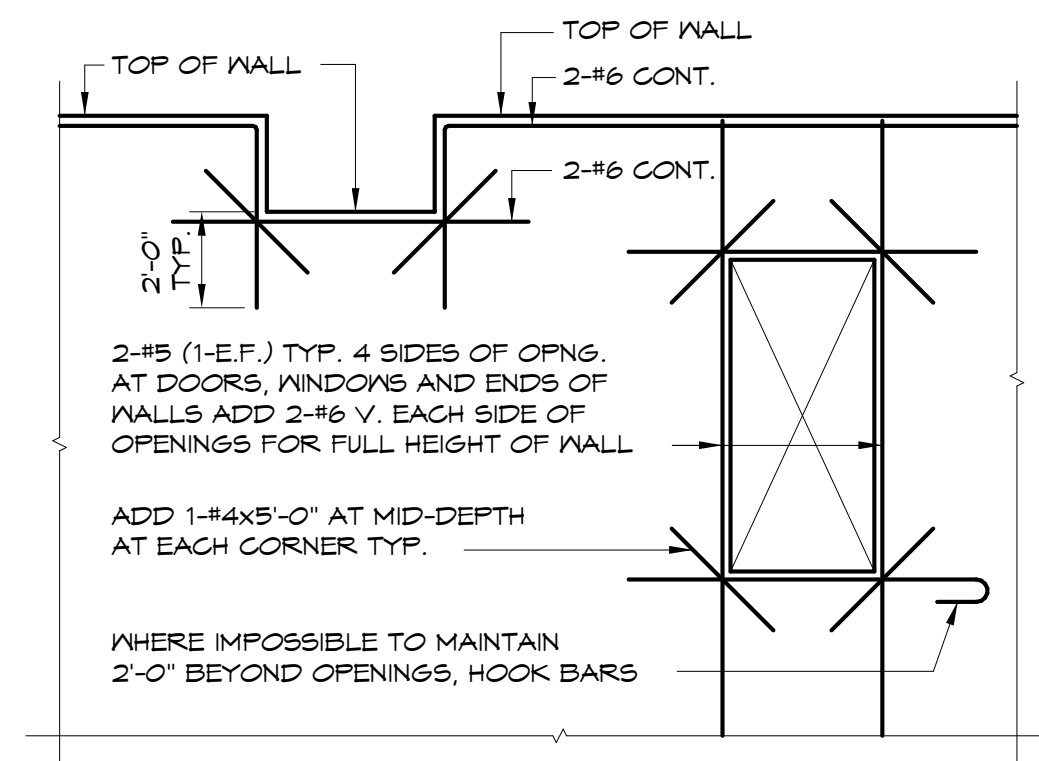
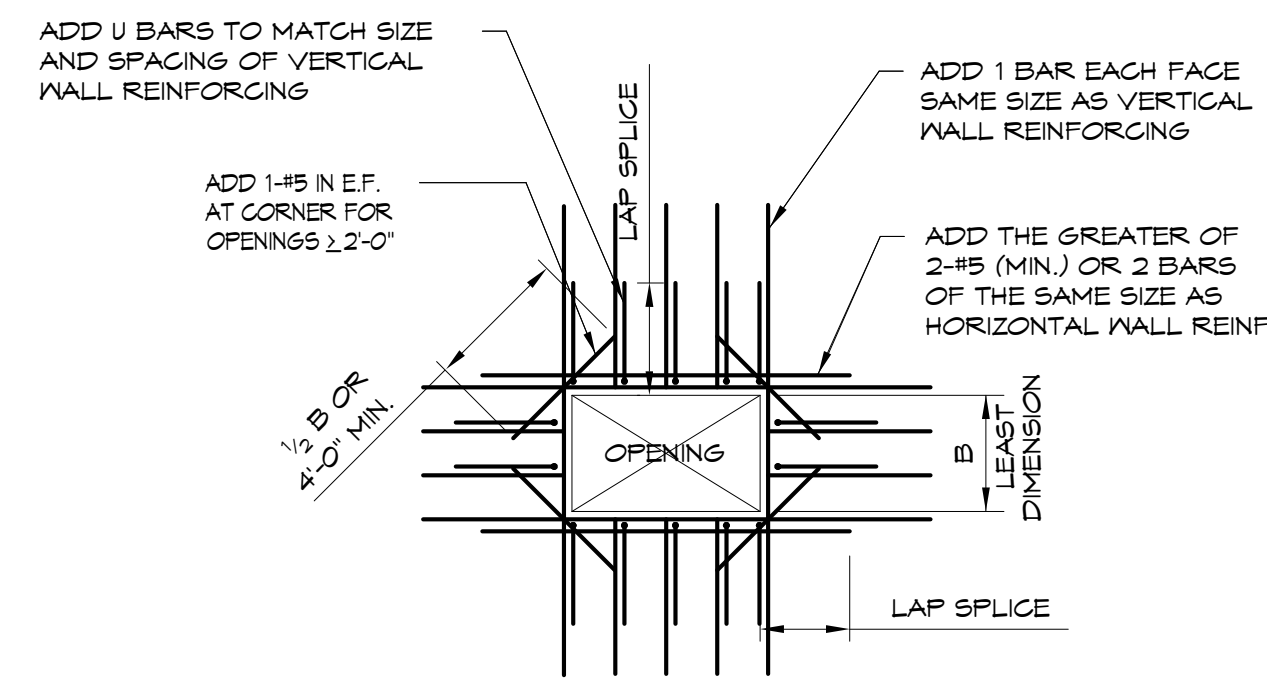


NOTE:  
ONE (1) LOCATION MINIMUM REQUIRED PER BUILDING, SEE ELECTRICAL DRAWINGS.  
COORDINATE WITH GENERAL CONTRACTOR FOR LOCATION OF REBAR CONNECTION  
AND TO PROVIDE ACCESS TO THE REBAR CONNECTION UNTIL ELECTRICAL  
INSTALLATION AND INSPECTION ARE COMPLETE.

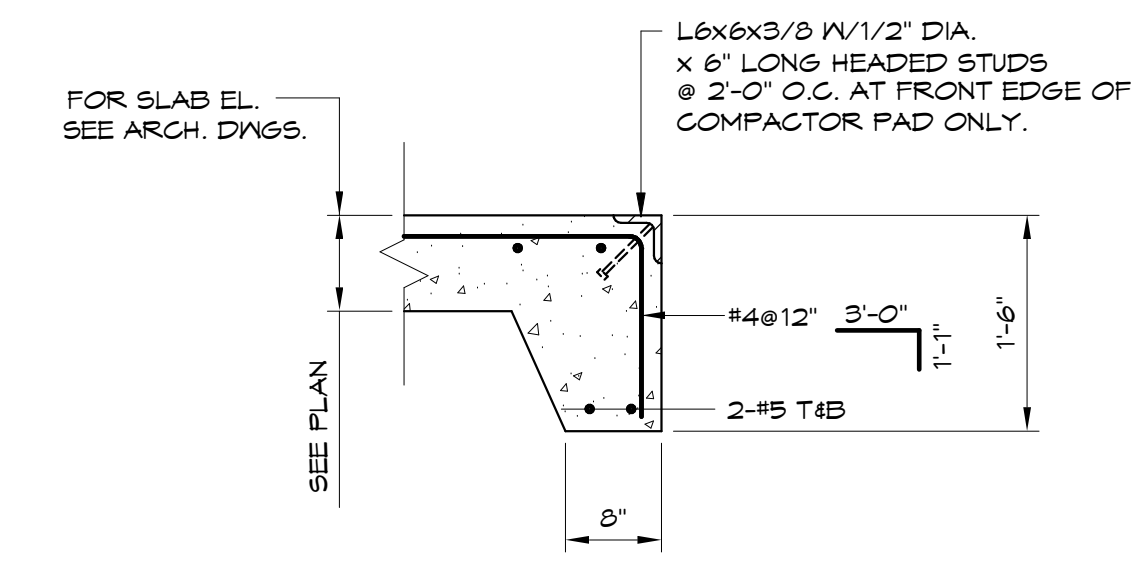
CONCRETE ENCASED ELECTRODE



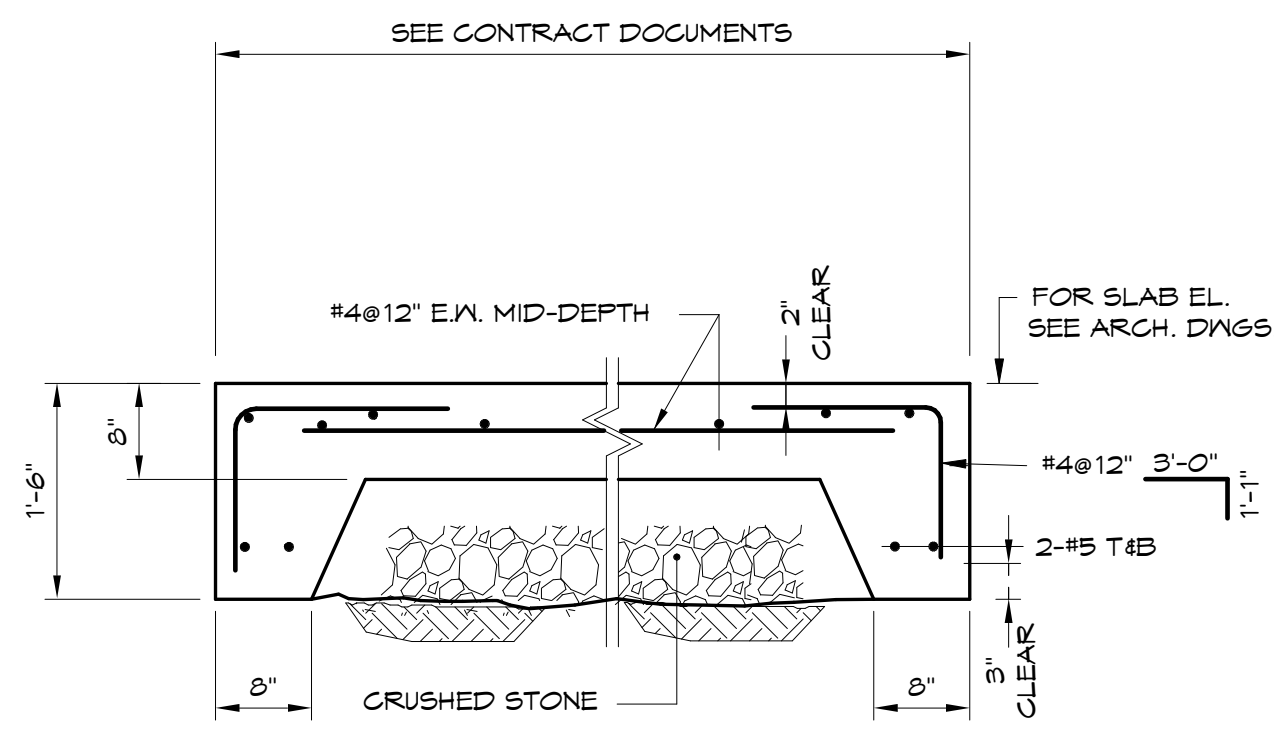
TYP. DETAIL AT OPENINGS  
AND BREAK IN WALLS



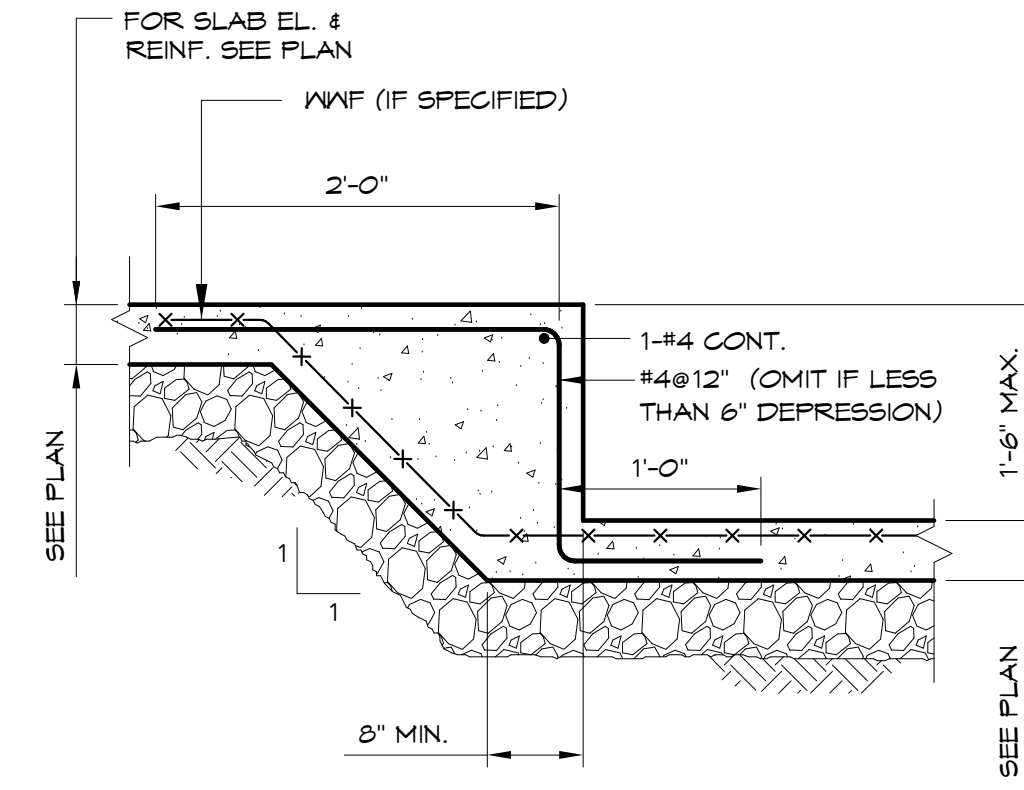
TYPICAL CONCRETE WALL OPENING



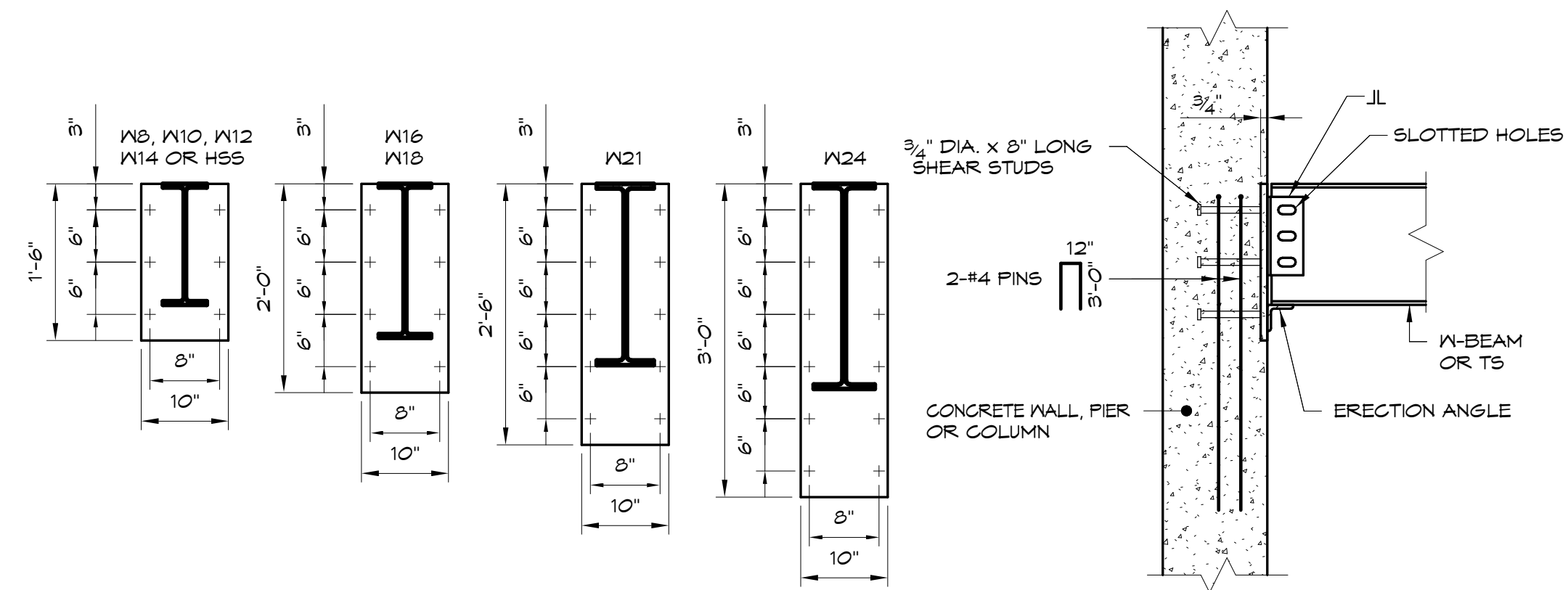
TYPICAL EXTERIOR PAD  
EDGE DETAIL



TYPICAL EXTERIOR COMPACTOR PAD DETAIL

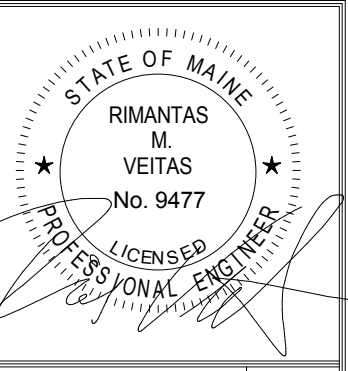


DEPRESSION AT SLAB ON GRADE



NOTE:  
1. JL CONNECTION DESIGNED TO TRANSFER SHEAR TO FACE OF EMBEDDED PLATES.

TYPICAL PLATE INSERT FOR STEEL CONNECTIONS DETAIL



Prepared For:  
**EssexNorth  
Portland LLC**  
P.O. Box 394  
Topsfield, MA 01983

Consultant:  
**VEITAS VEITAS  
DUB  
engineers**  
680 Granite Street, Suite 101  
Braintree, Massachusetts 02184  
TEL: 781.843.2863 FAX: 781.849.2055

Architect:  
**ARCHETYPE  
architects**  
48 Union Wharf, Portland, Maine 04101  
(207) 772-6022 Fax (207) 772-4056

Project:  
**THAMES STREET  
CONDOMINIUM**  
20 Thames Street, Portland Maine

Revisions:  
5 | 10/11/17 | Addendum #3

Date:  
JULY 2017

S2.03

Scale: As indicated  
TYPICAL DETAILS