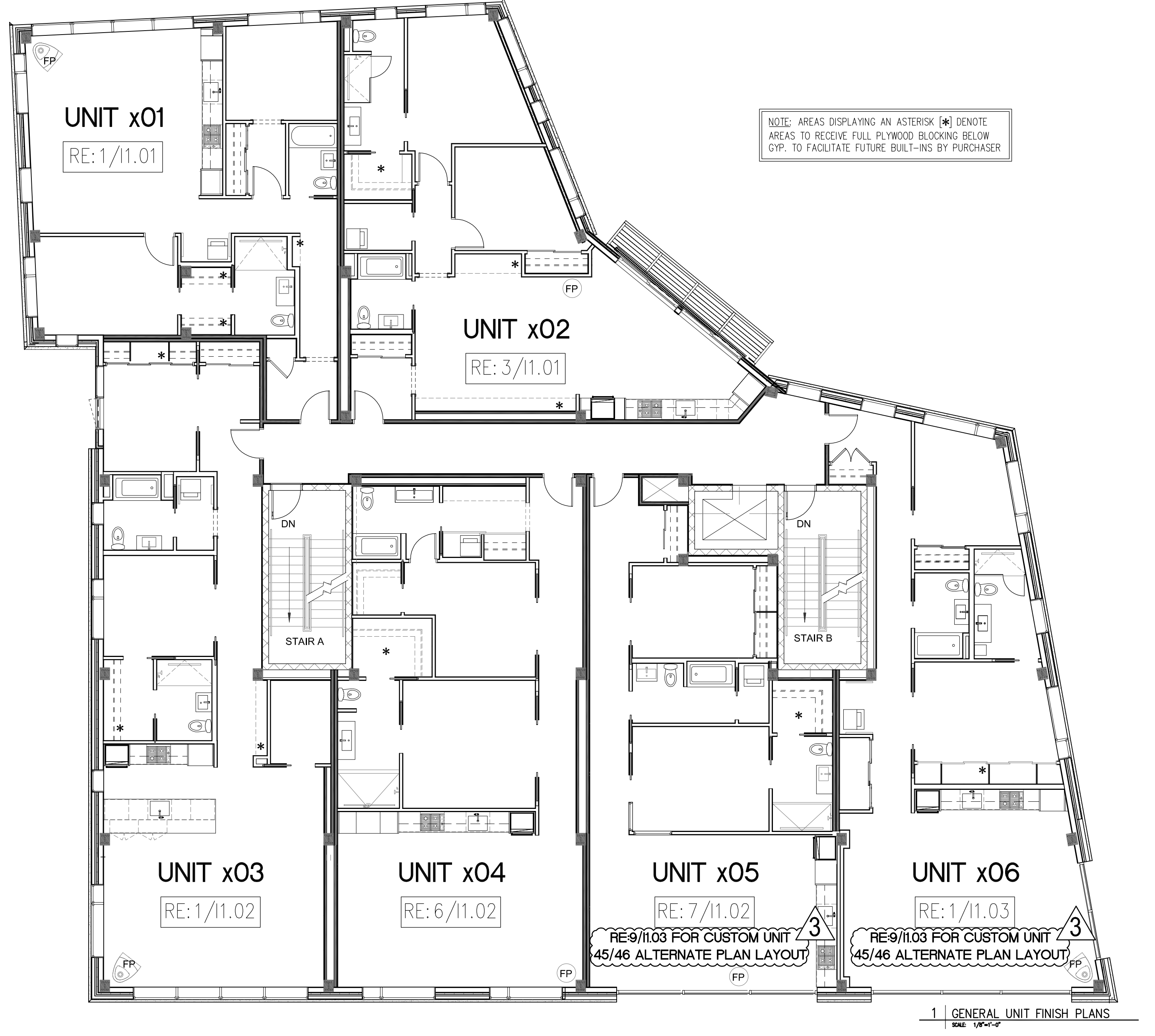
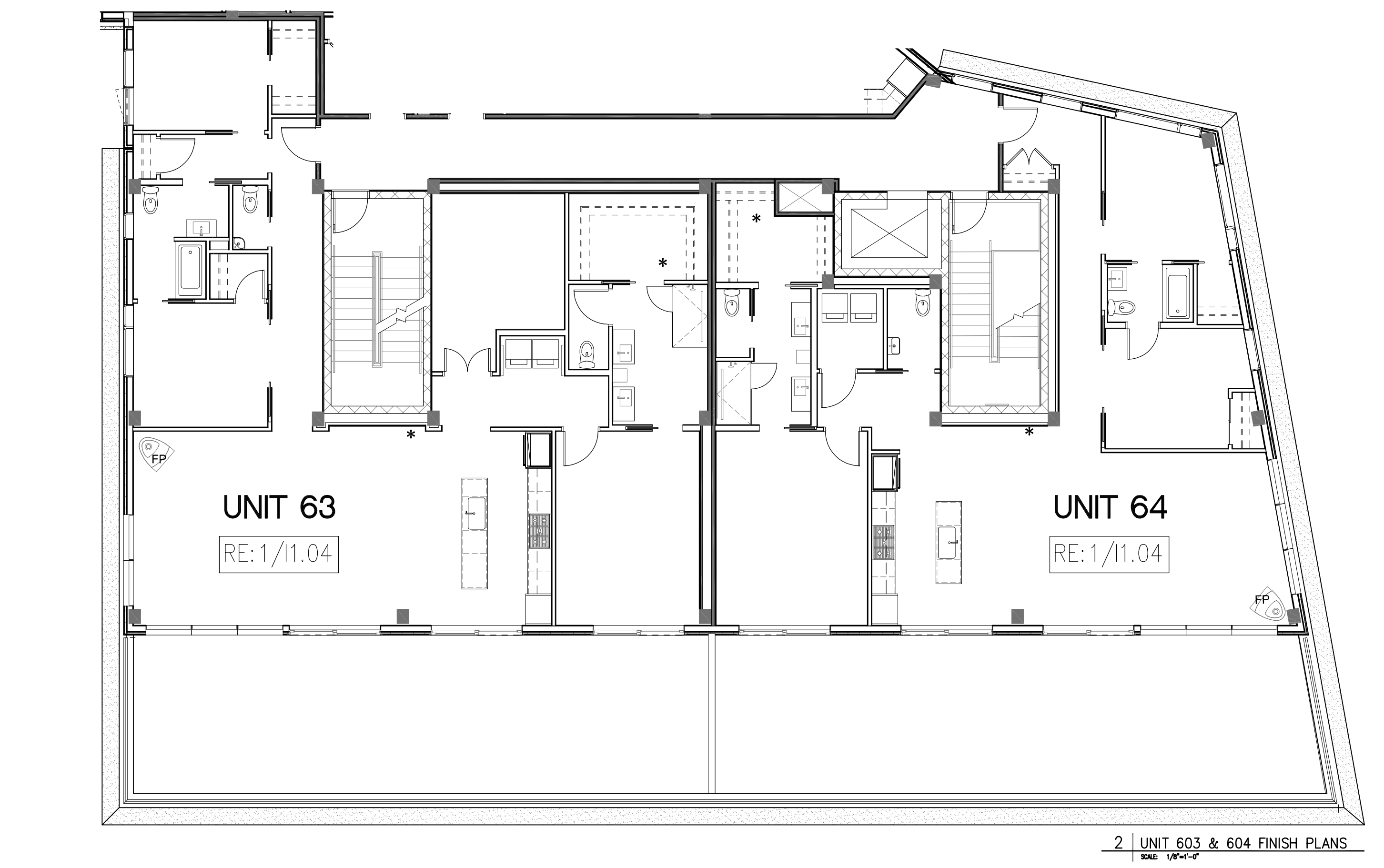
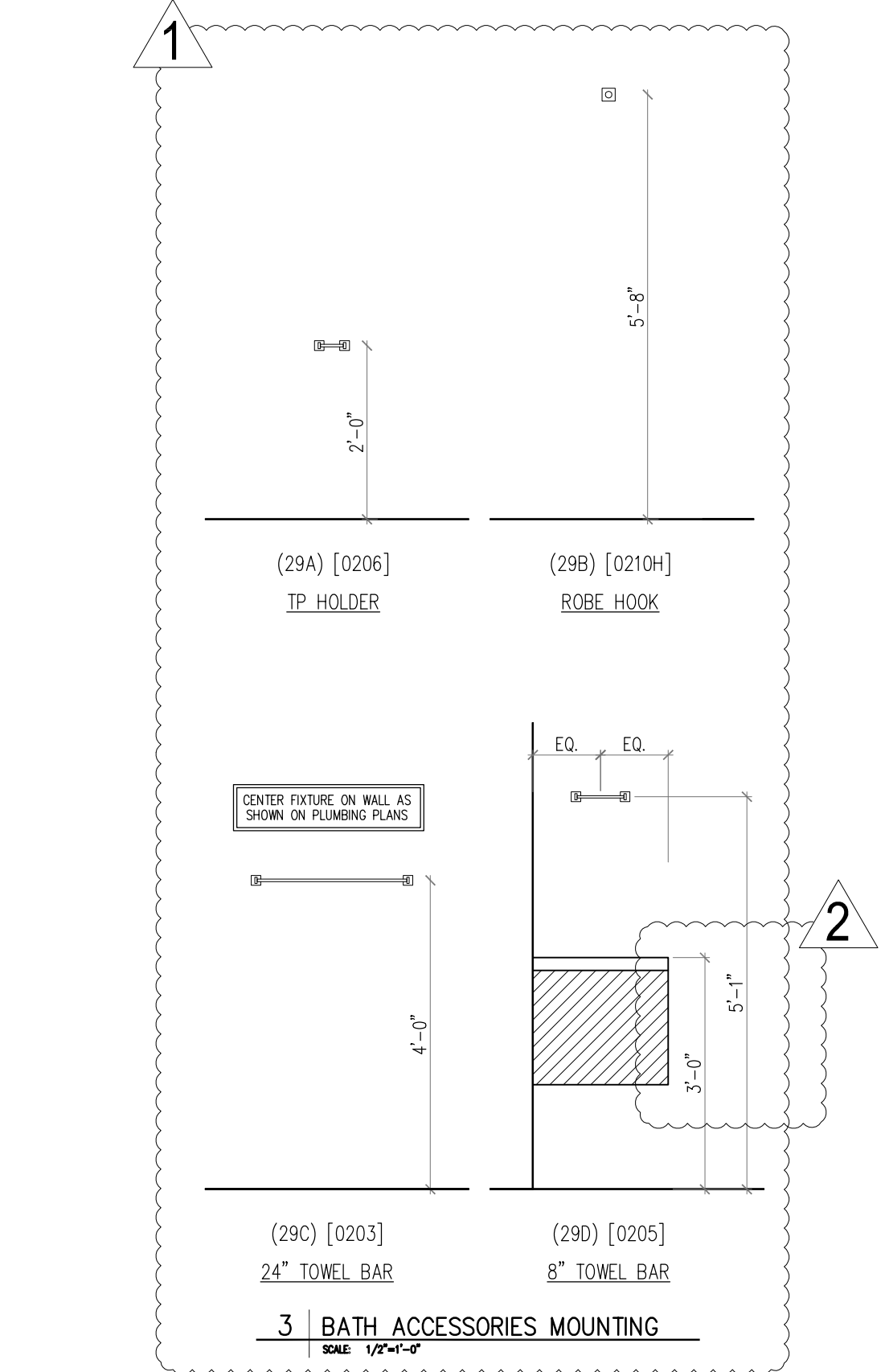
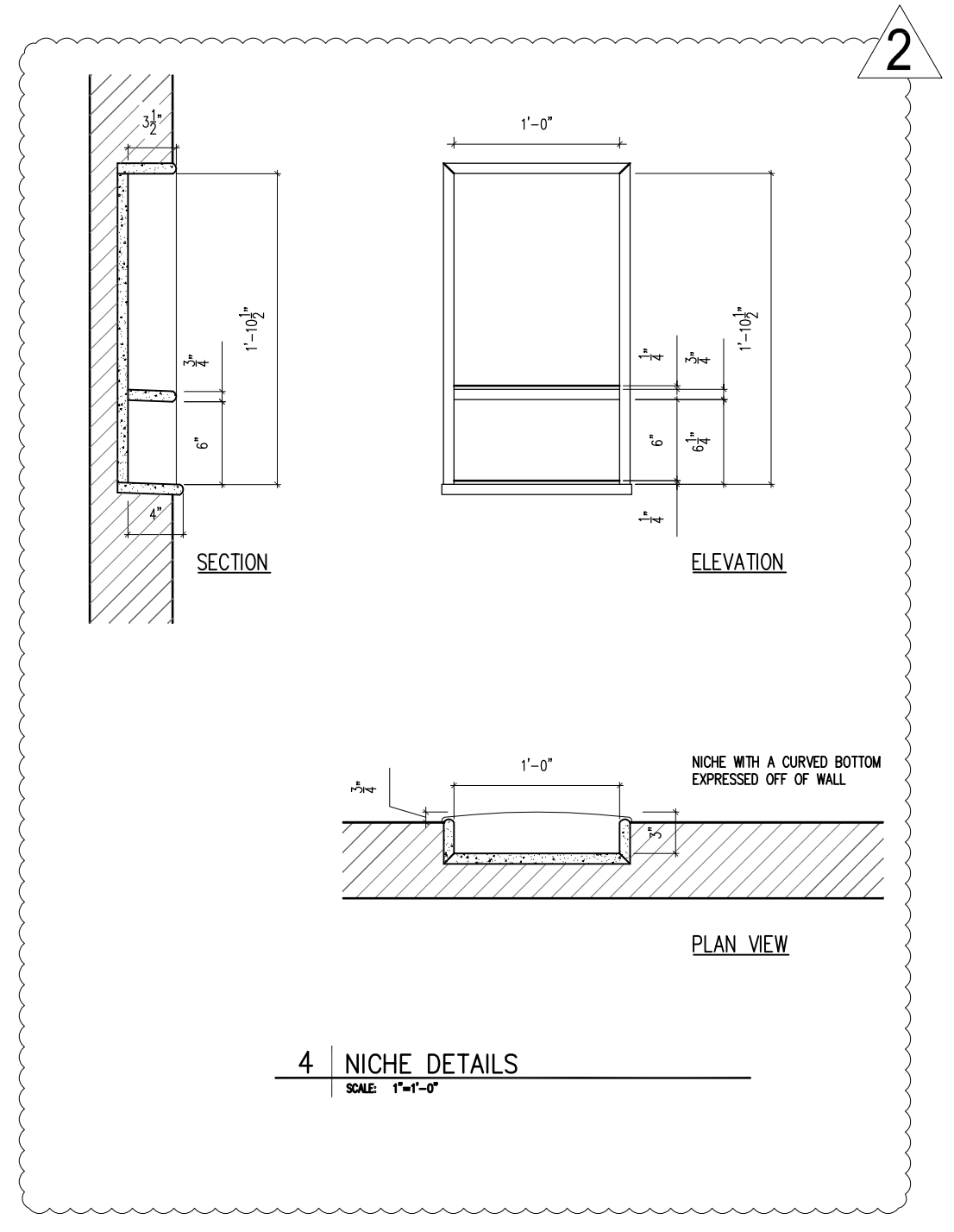
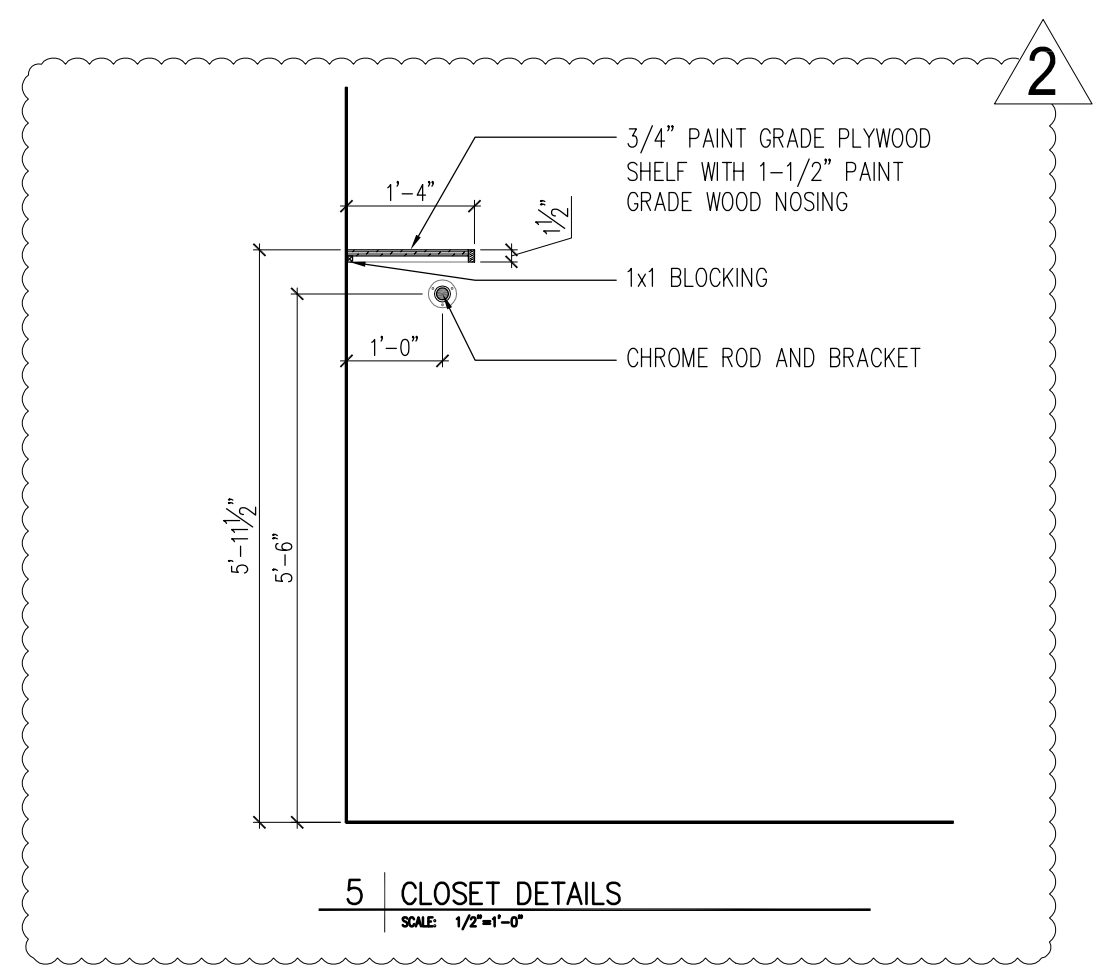


* EQUIPMENT SPECIFICATIONS *							
TAG	ROOM	EQUIPMENT	MFR	PRODUCT	ITEM #	NOTES	QUANTITY
1	KITCHEN	FRIDGE/FREEZER	MIELE OR EQUAL	30" BOTTOM MOUNT OVER/UNDER	KFN 9855 IDE RE	PANEL READY - COORDINATE FLUSH PANELS TO MATCH CABINETRY PULL - RICHELIEU BP525512195 @ 42" CENTER	14
2	KITCHEN	FRIDGE/FREEZER	MIELE OR EQUAL	30" BOTTOM MOUNT OVER/UNDER	KFN 9855 IDE U	PANEL READY - COORDINATE FLUSH PANELS TO MATCH CABINETRY PULL - RICHELIEU BP525512195 @ 42" CENTER	11
3	KITCHEN	WALL OVEN	MIELE OR EQUAL	30" CONTOUR LINE CONVECTION OVEN	H 6180 BP	INSTALL FLUSH INSET, MICROWAVE ABOVE	27
4	KITCHEN	INTEGRATED 24" MICROWAVE	MIELE OR EQUAL	CONTOURLINE MICROWAVE	M 6160 TC	INSTALL FLUSH INSET ABOVE WALL OVEN, COORDINATE WITH [41]	27
5	KITCHEN	GAS COOK TOP	MIELE OR EQUAL	30" 4-BURNER GAS COOKTOP	KM 3464 G		25
6	KITCHEN	VENTILATION HOOD	MIELE OR EQUAL	30" BUILT-IN WALL CABINET HOOD	DA 3486	COORD. W/RECIRCULATING KIT	25
7	KITCHEN	DISHWASHER	MIELE OR EQUAL	24" CLASSIC PLUS FULLY INTEGRATED	G 4976 SCVI AM	COORDINATE PANEL TO MATCH CABINETRY	27
8	KITCHEN	KOHLER	STRIVE	24" UNDER-MOUNT SINGLE BOWL	K-5286-NA		25
9	KITCHEN	FAUCET	DORNBRACHT	ENO	33 875 760	FINISH: MATTE PLATINUM	25
10	UNIT 603 & 604 KITCHEN	SINK	KOHLER	PROLIFIC	K-5540-NA	FOR PENTHOUSE UNITS	2
11	UNIT 603 & 604 KITCHEN	FAUCET	DORNBRACHT	TARA ULTRA	33 870 875	FINISH: MATTE PLATINUM, FOR PENTHOUSE UNITS	2
12	KITCHEN	TRASH PULL-OUT	REV-A-SHELF	SINGLE SOFT CLOSE W/TANDEM SLIDES	4WCSC-CP-1		27
13	LAUNDRY	STACKABLE WASHER/DRYER				PROVIDED BY OWNER, G.C. TO PROVIDE ALL ITEMS FOR REQUIRED HOOKUP, WASHER @ LEFT	-
14	ALL BATHROOMS	TOILET	LACAVA	TRENTA	GL58	FINISH: 001	57
15	ALL BATHROOMS	SHOWER HEAD	DORNBRACHT	IMO	28 504 670	FINISH: CHROME, G.C. TO COORDINATE ALL VALVES AS REQ'D, C/L @ 84" A.F.F.	55
16	ALL BATHROOMS	THERMOSTAT/VOLUME CONTROL	DORNBRACHT	IMO CONCLD THERM TRIM W/2-WAY VOL	36 426 670	FINISH: CHROME, G.C. TO COORDINATE ALL VALVES AS REQ'D	55
17	GUEST BATHROOM	BATH TUB W/APRON	AMERICAN STANDARD	STUDIO SUITE	2946202-011	G.C. TO COORDINATE DRAINS AS REQUIRED	27
18	GUEST BATHROOM	SINGLE HOLE FAUCET	DORNBRACHT	IMO	33 500 670	FINISH: CHROME	29
19	GUEST BATHROOM	TUB FILLER	DORNBRACHT	IMO TUB SPOUT	13 801 670	FINISH: CHROME, G.C. TO COORDINATE ALL VALVES AS REQ'D	27
20	GUEST BATHROOM	24" SINK/VANITY	LACAVA	AQUAQUATTRO/AQUASEI	5211-01-001/5231A-07	PROVIDE BLOCKING AS REQ'D FOR WALL MOUNT INSTALLATION, MOUNT TOP @ 36" A.F.F.	10
21	MASTER BATHROOM	36" SINK/VANITY	LACAVA	KUBISTA	H263LT-03-001M/H263LNT-07	PROVIDE BLOCKING AS REQ'D FOR WALL MOUNT INSTALLATION, MOUNT TOP @ 36" A.F.F.	11
22	MASTER BATHROOM	48" SINK/VANITY	LACAVA	KUBISTA	H264T-03-001M/H264NT-07	PROVIDE BLOCKING AS REQ'D FOR WALL MOUNT INSTALLATION, MOUNT TOP @ 36" A.F.F.	13
23	GUEST BATHROOM	32" SINK/VANITY	LACAVA	AQUAQUATTRO/AQUASEI	5212-01-001/5232A-07	PROVIDE BLOCKING AS REQ'D FOR WALL MOUNT INSTALLATION, MOUNT TOP @ 36" A.F.F.	13
24	BATHROOM	15" MEDICINE CABINET	LACAVA	SURFACE MOUNT	M061-07	PROVIDE BLOCKING AS REQ'D, COORDINATE W/24" VANITY, MOUNT BOTTOM AT 46" A.F.F.	14
25	BATHROOM	19" MEDICINE CABINET	LACAVA	SURFACE MOUNT	M062-07	PROVIDE BLOCKING AS REQ'D, COORDINATE W/32" & 36" VANITIES, MOUNT BOTTOM AT 46" A.F.F.	27
26	MASTER BATHROOM	WIDE SPREAD FAUCET	DORNBRACHT	IMO	20 713 670	FINISH: CHROME	30
27	MASTER BATHROOM	HAND HELD SHOWER	DORNBRACHT	IMO	27 808 980	FINISH: CHROME, G.C. TO COORDINATE ALL VALVES AS REQ'D	28
28	MASTER BATHROOM	TILE-IN DRAIN	CALIFORNIA FAUCETS	LINEAR DRAIN		G.C. TO COORDINATE AS REQ'D OR PROVIDE EQUAL FOR DESIGN REVIEW	28
29	ALL BATHROOMS	BATHROOM ACCESSORIES	GINGER	SINE	(A) [0206] (B) [0210H] (C) [0203] (D) [0205]	PROVIDE BLOCKING AS REQ'D FOR ACCESSORIES AND FUTURE INSTALL OF GRAB BARS IN ALL BATHROOMS, RE: 3/11.00 FOR TYPICAL BATHROOM ACCESSORY MOUNTING HEIGHTS, RE: AS1.1 FOR TYPICAL GRAB BAR LOCATIONS	57
30	ALL BATHROOMS	RECESSED NICHE	URBAN DWELLINGS		QUARTZ @ GUEST BATH, MARBLE @ MASTER BATH	PROVIDE ALLOWANCE FOR (1) SOLID SURFACE RECESSED NICHE IN TUB/SHOWER SURROUNDS, MOUNT BOTTOM OF NICHE IN LINE WITH TILE @ ~42" A.F.F., RE: 4/11.00 FOR NICHE DETAILS	55
31	UNIT 3 MASTER BATH	24" SINK/VANITY	LACAVA	KUBISTA	H261T-03-001M/H261NT-07	PROVIDE BLOCKING AS REQ'D FOR WALL MOUNT INSTALLATION, MOUNT TOP @ 36" A.F.F.	4
32	UNIT 4 GUEST BATH	48" SINK/VANITY	LACAVA	AQUAQUATTRO/AQUASEI	5215-01-001/5235A-07	PROVIDE BLOCKING AS REQ'D FOR WALL MOUNT INSTALLATION, MOUNT TOP @ 36" A.F.F.	4
33	BATHROOM	23" MEDICINE CABINET	LACAVA	SURFACE MOUNT	M063-07	PROVIDE BLOCKING AS REQ'D, COORDINATE W/48" VANITIES, MOUNT BOTTOM AT 46" A.F.F.	17
34	KITCHEN	COOK TOP	MIELE OR EQUAL	36" FLUSH MOUNT GAS COOKTOP	KM 2355 G		2
35	KITCHEN	VENTILATION HOOD	MIELE OR EQUAL	36" BUILT-IN WALL CABINET HOOD	DA 3496	COORD. W/RECIRCULATING KIT	2
36	MASTER BATHROOM	36" SINK/VANITY	LACAVA	KUBISTA	H263RT-03-001M/H263RNT-07	PROVIDE BLOCKING AS REQ'D FOR WALL MOUNT INSTALLATION, MOUNT TOP @ 36" A.F.F.	2
37	POWDER ROOM	WALL HUNG WASHBASIN	DURAVIT	ME BY STARCK CORNER BASIN	07224300001	COORDINATE WITH CONTEMPORARY ROUND BOTTLE TRAP - FINISH: CHROME, PROVIDE BLOCKING AS REQ'D FOR WALL MOUNT INSTALLATION	1
38	BATHROOM	WALL HUNG CABINET	LACAVA	NUDA	5075L-07	PROVIDE BLOCKING AS REQ'D FOR WALL MOUNT INSTALLATION	6
39	UNIT 603 KITCHEN	FRIDGE/FREEZER	MIELE OR EQUAL	36" INTEGRATED BOTTOM MOUNT	KF 1913 VI	PANEL READY - COORDINATE FLUSH PANELS TO MATCH CABINETRY PULL - RICHELIEU BP525512195 @ 42" CENTER	1
40	UNIT 604 KITCHEN	FRIDGE/FREEZER	MIELE OR EQUAL	36" INTEGRATED BOTTOM MOUNT	KF 1903 VI	PANEL READY - COORDINATE FLUSH PANELS TO MATCH CABINETRY PULL - RICHELIEU BP525512195 @ 42" CENTER	1
41	KITCHEN	MICROWAVE TRIM KIT	MIELE OR EQUAL	30"	EBA6708 MC	COORDINATE WITH MICROWAVE [4], FLUSH INSTALL ABOVE WALL OVEN	28
42	POWDER ROOM	WALL HUNG WASHBASIN	DURAVIT	ME BY STARCK HANDRINSE BASIN	07194500001	COORDINATE WITH CONTEMPORARY ROUND BOTTLE TRAP - FINISH: CHROME, PROVIDE BLOCKING AS REQ'D FOR WALL MOUNT INSTALLATION	1



Prepared For: **EssexNorth Portland LLC**
 P.O. Box 394
 Topsfield, MA 01983

Consultant: **Tracy Davis urban dwellings™**
 INTERIORS • DESIGN • OBJECTS
 PORTLAND, ME NEW YORK, NY WASHINGTON, DC

Architect: **ARCHETYPE architects**
 48 Union Wharf Portland, Maine 04101
 (207) 772-6022 Fax (207) 772-4056

Project: **THAMES STREET BUILDING**
 20 Thames Street, Portland Maine

Revisions:
 1 08.04.17 - Tag bath accessories in Plan. Coordinate finish revisions.
 2 08.16.17 - Add shower glass details, add finish updates & cabinetry specs.
 3 10.11.17 - VE Revisions

Date: **JULY 21, 2017**
 Scale: **AS SHOWN**
UNIT REFERENCE PLANS & EQUIPMENT SCHEDULE
 PERMIT SET

11.00