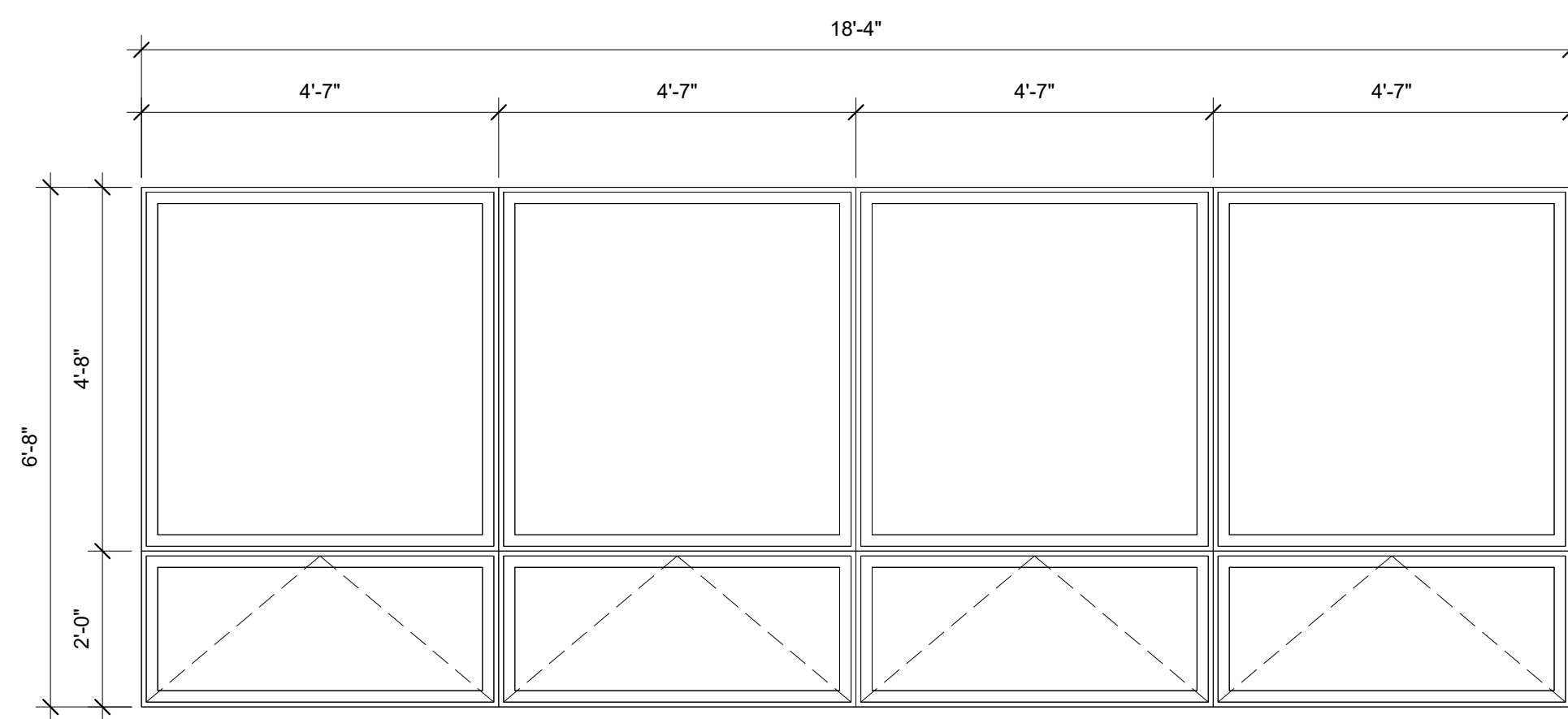
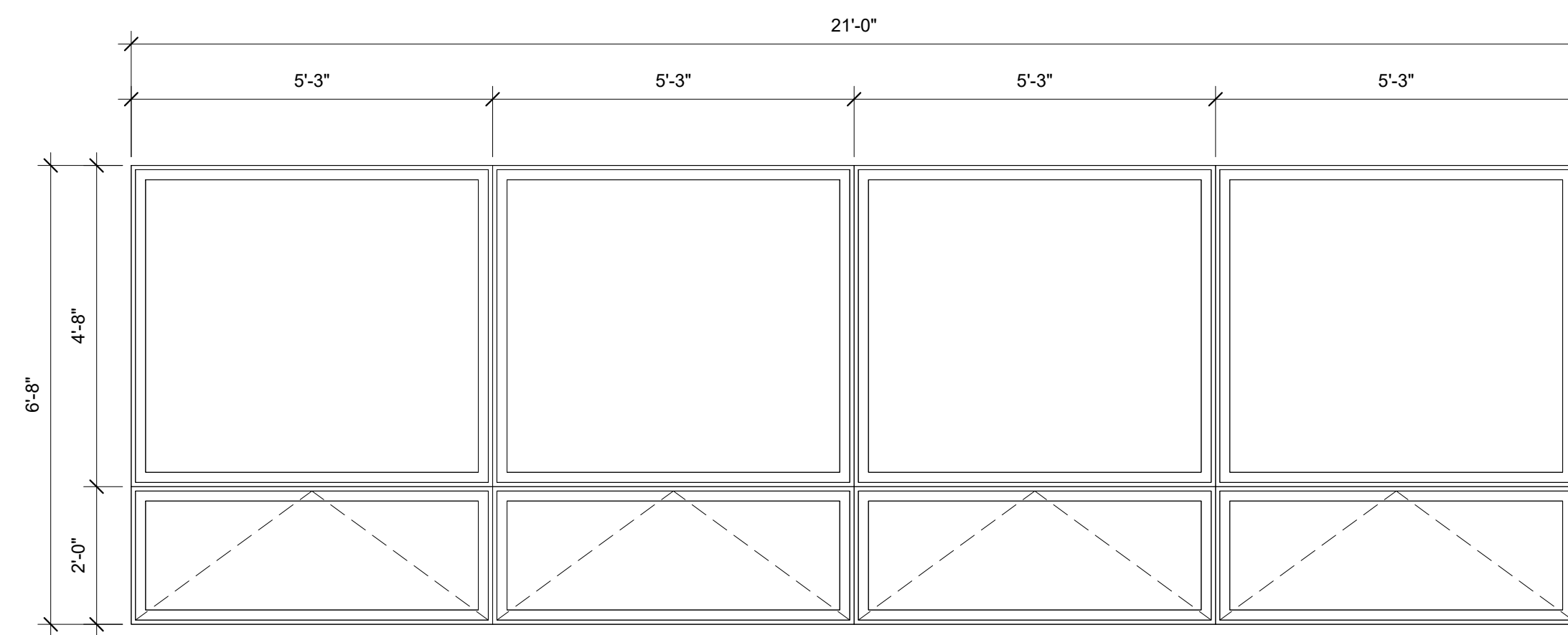


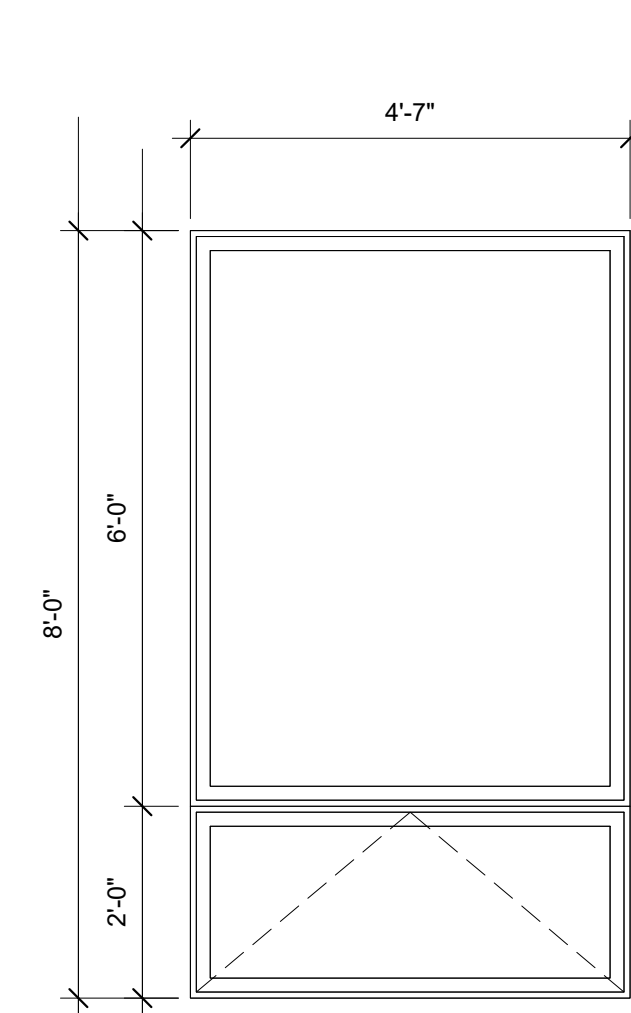
A



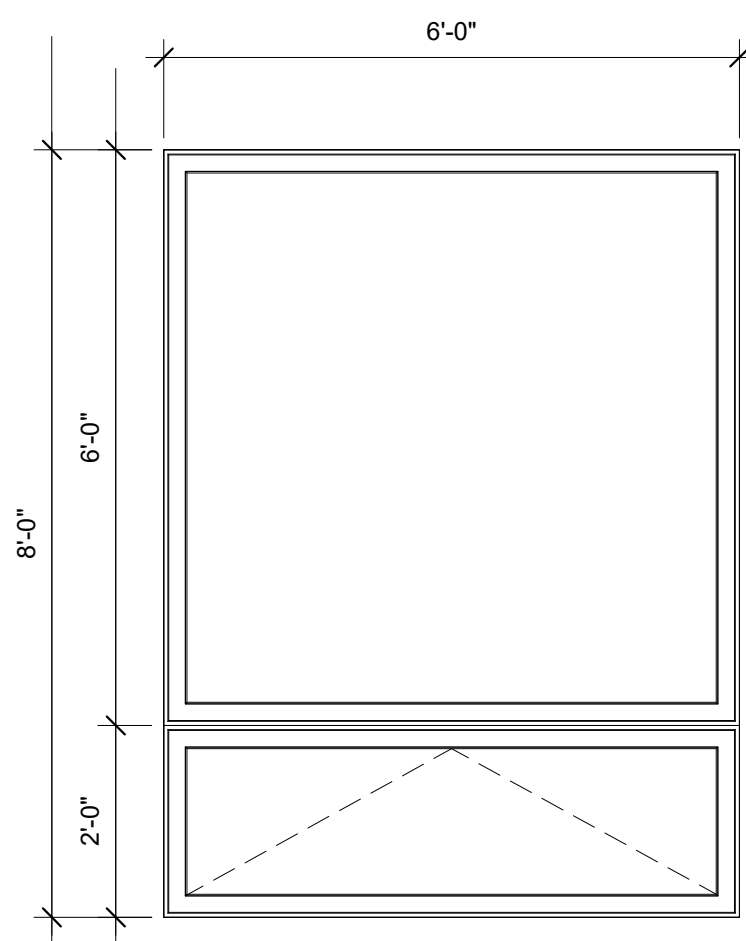
B



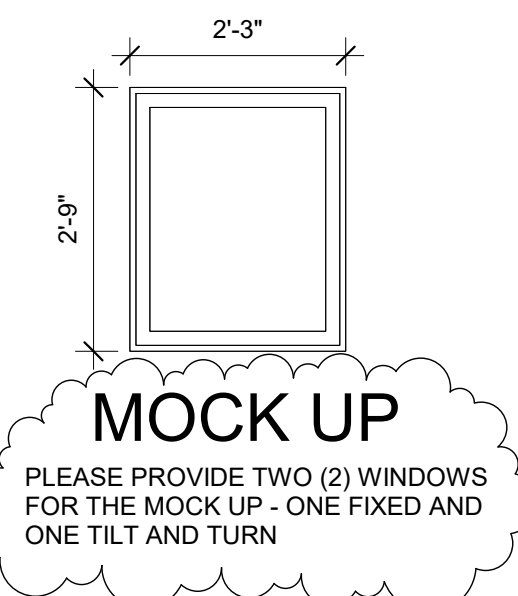
C



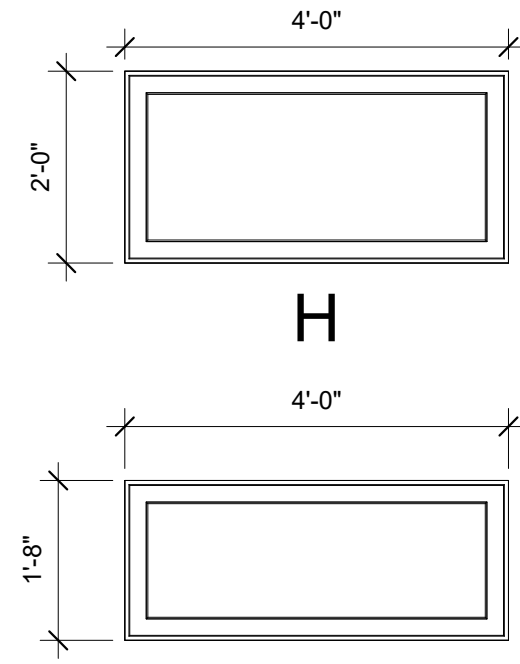
D



E

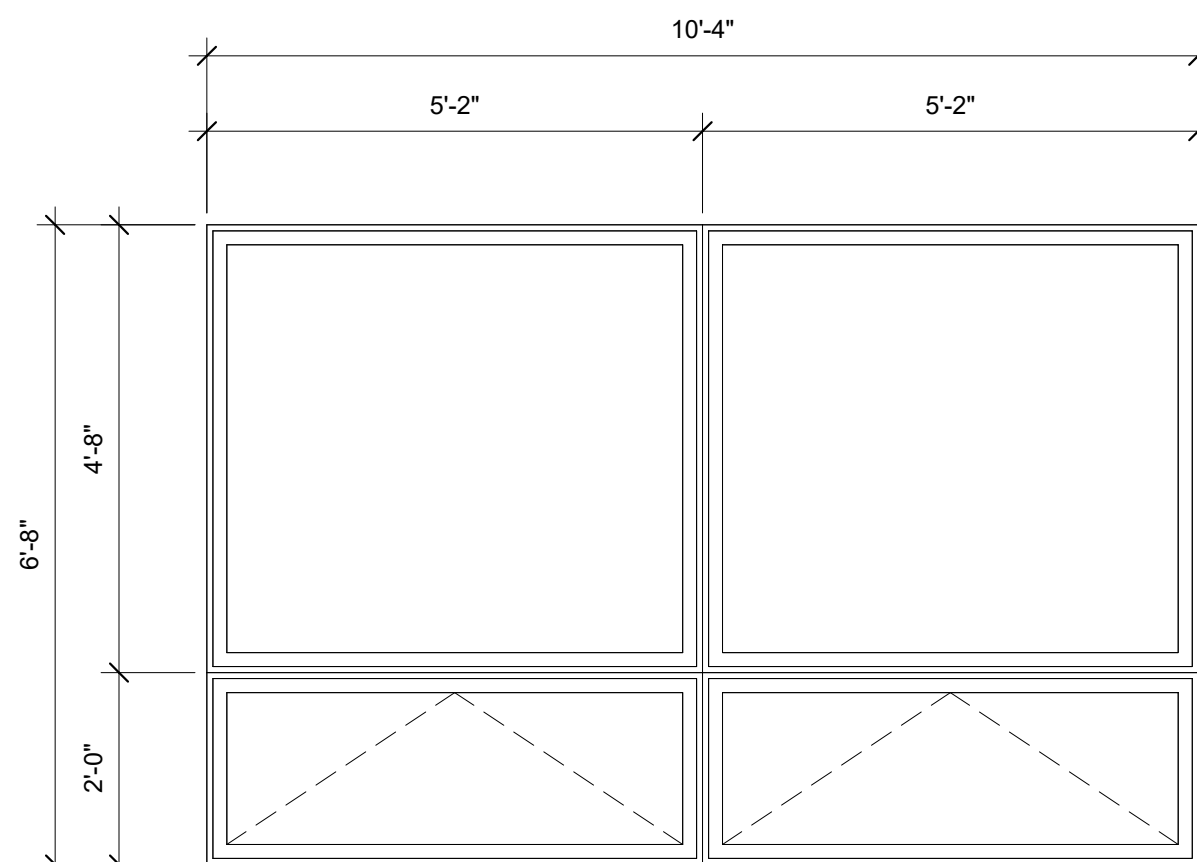


MOCK UP
PLEASE PROVIDE TWO (2) WINDOWS FOR THE MOCK UP - ONE FIXED AND ONE TILT AND TURN

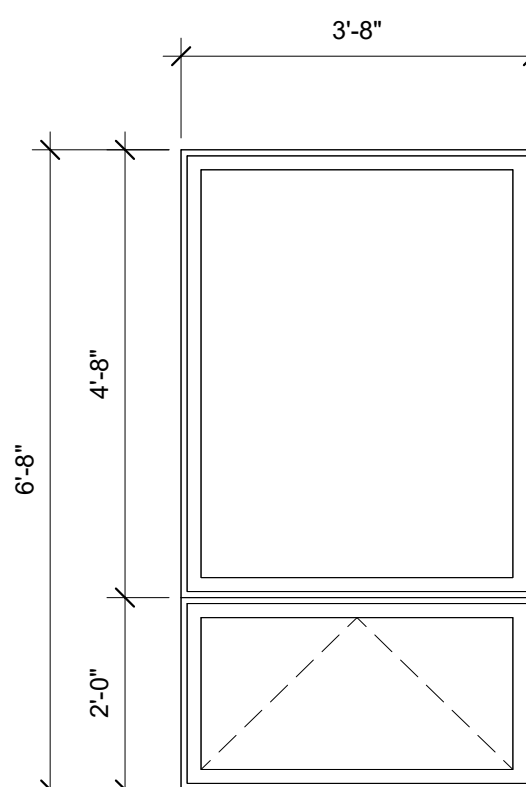


F

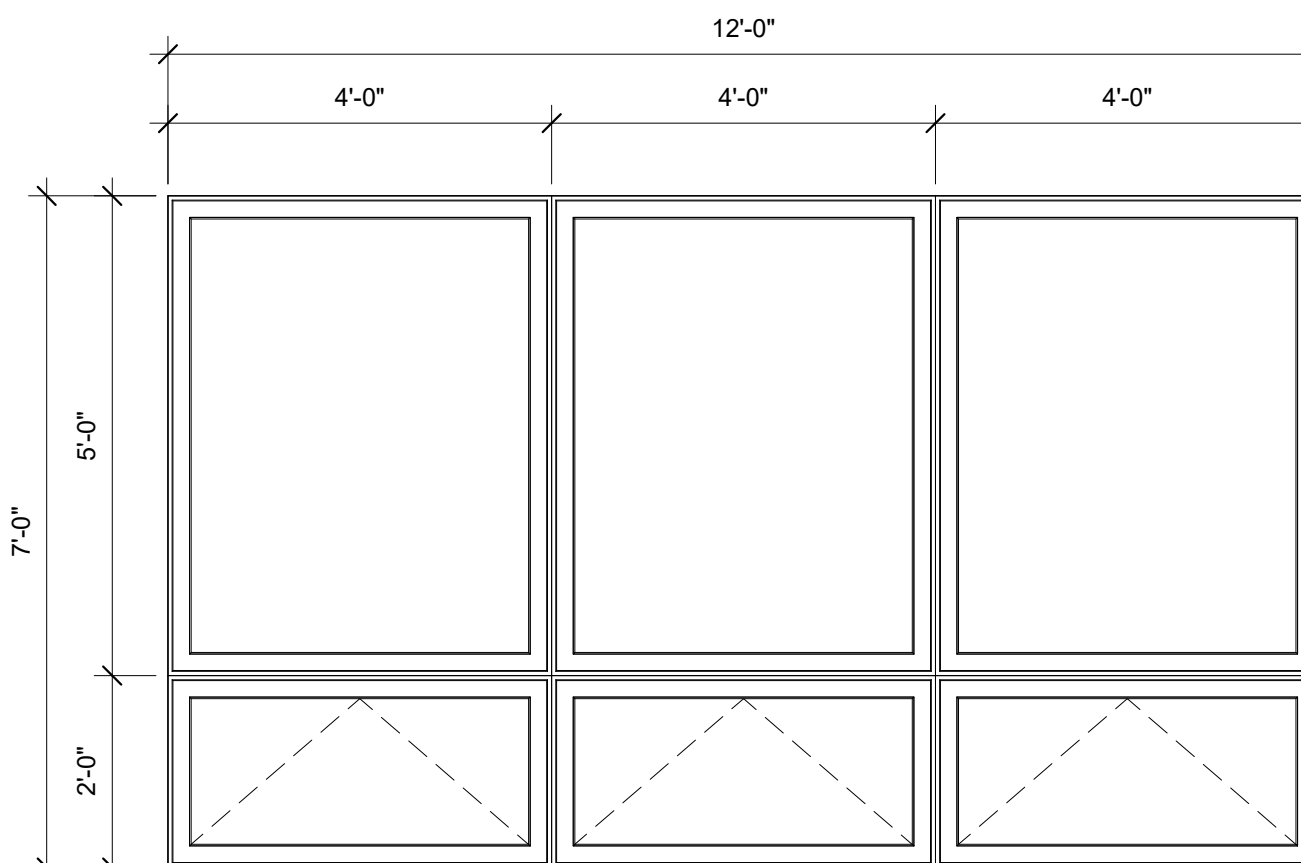
G
WINDOW TYPE G ELIMINATED AS PART OF ADDENDUM 2



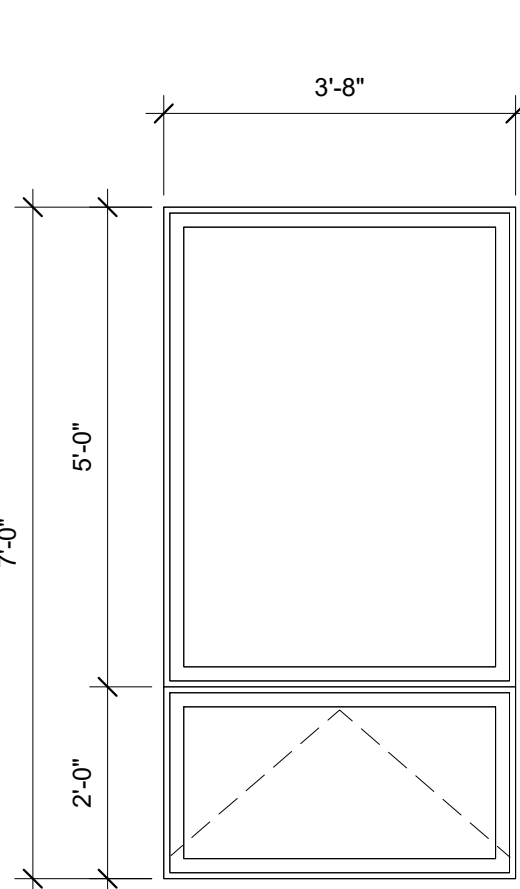
J



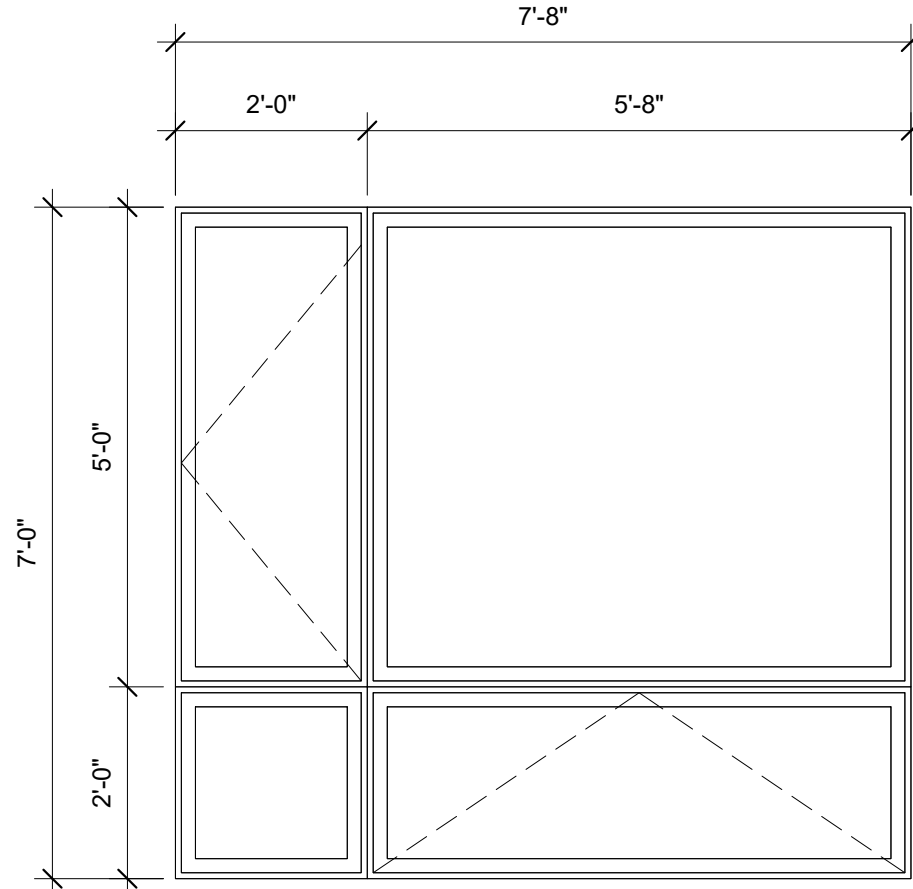
K



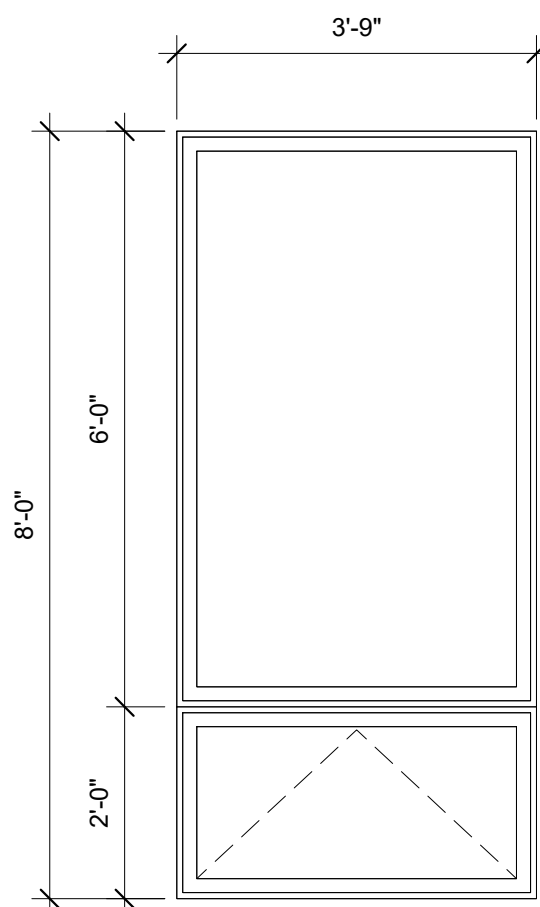
L



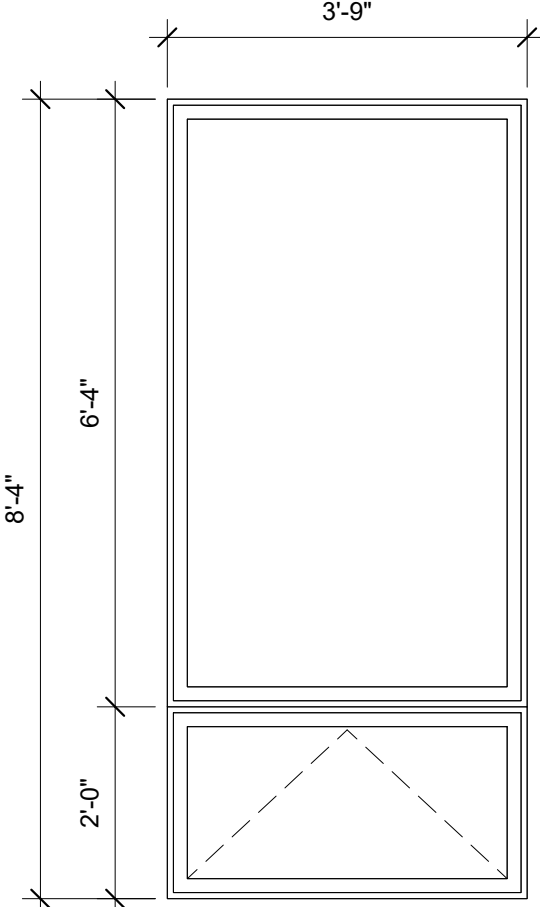
M



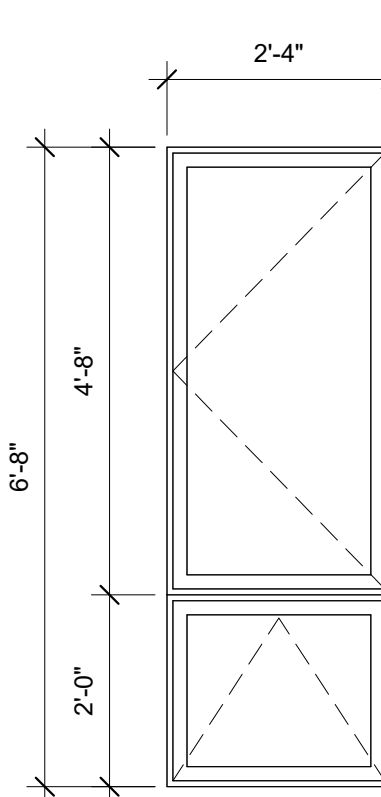
N



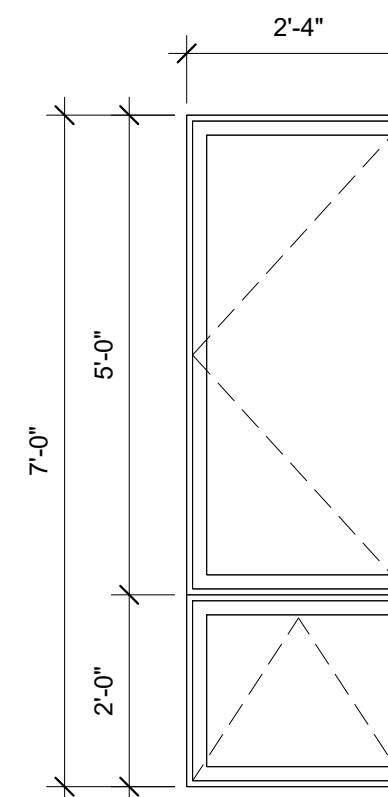
P



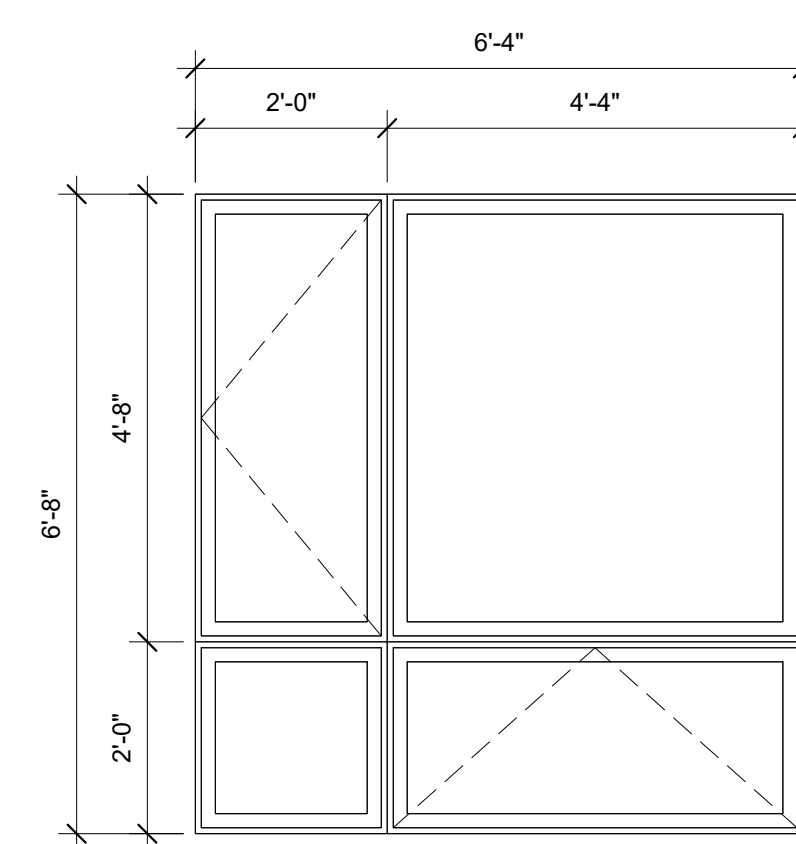
Q



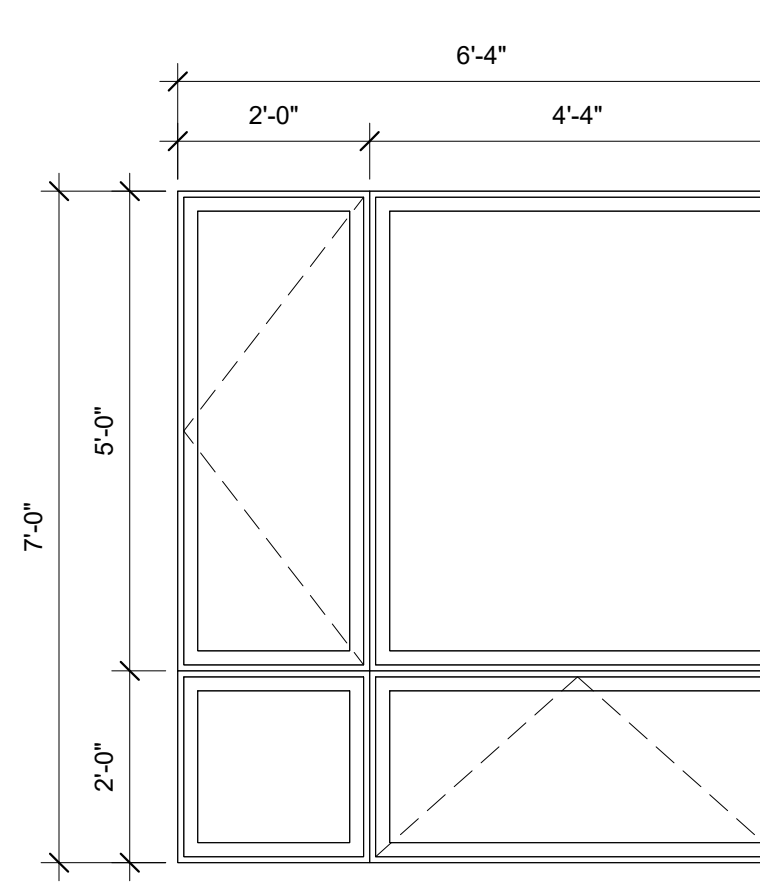
R



S



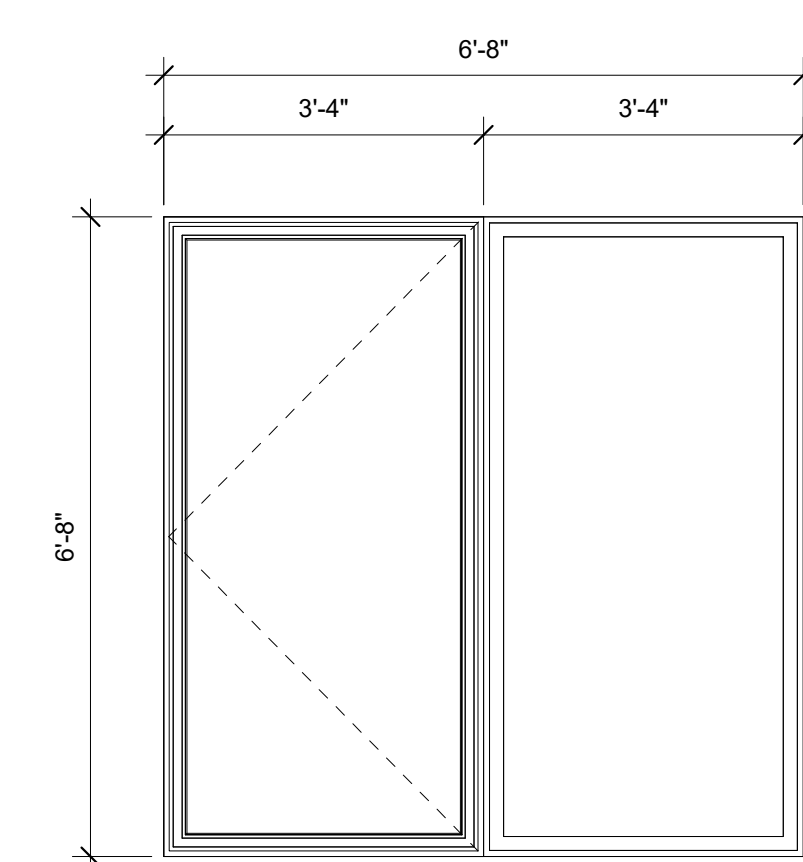
T



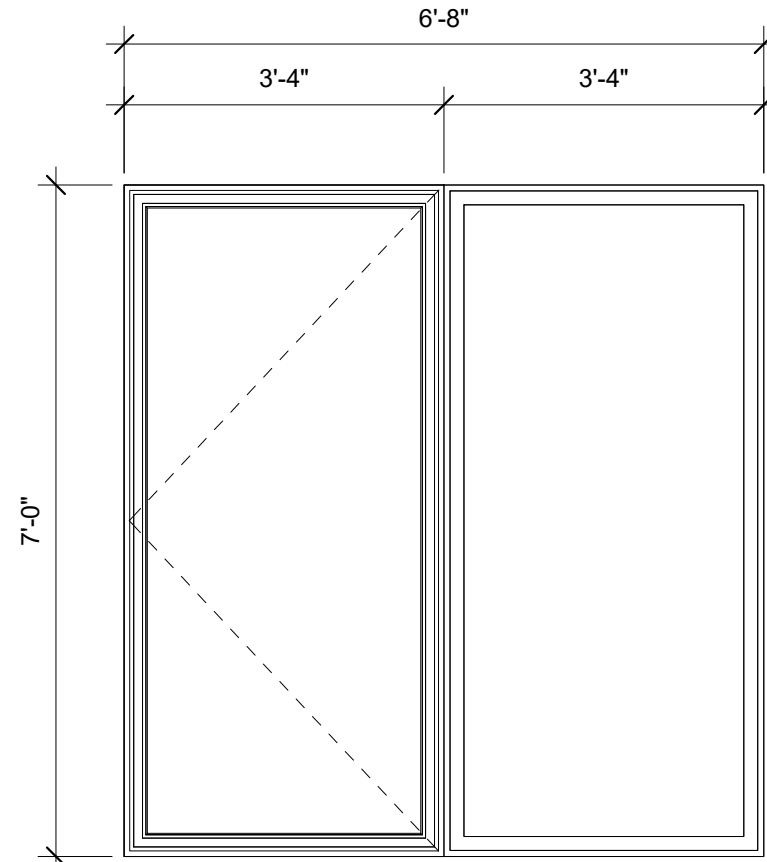
U

T TEMPERED GLAZING

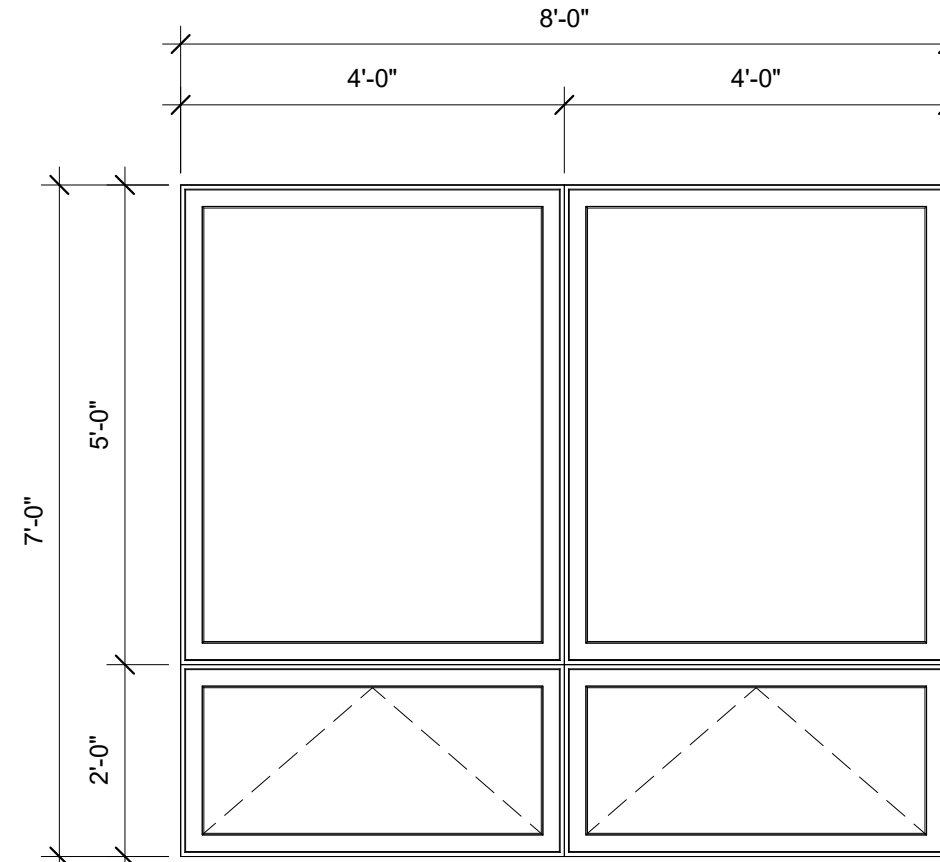
GENERAL NOTE:
ALL GLAZING TO BE TRIPLE GLAZED
MIN. DESIGN PRESSURE RATING: 40.1
(PLEASE REFER TO S2.01 FOR
OVERALL BUILDING DP RATINGS)



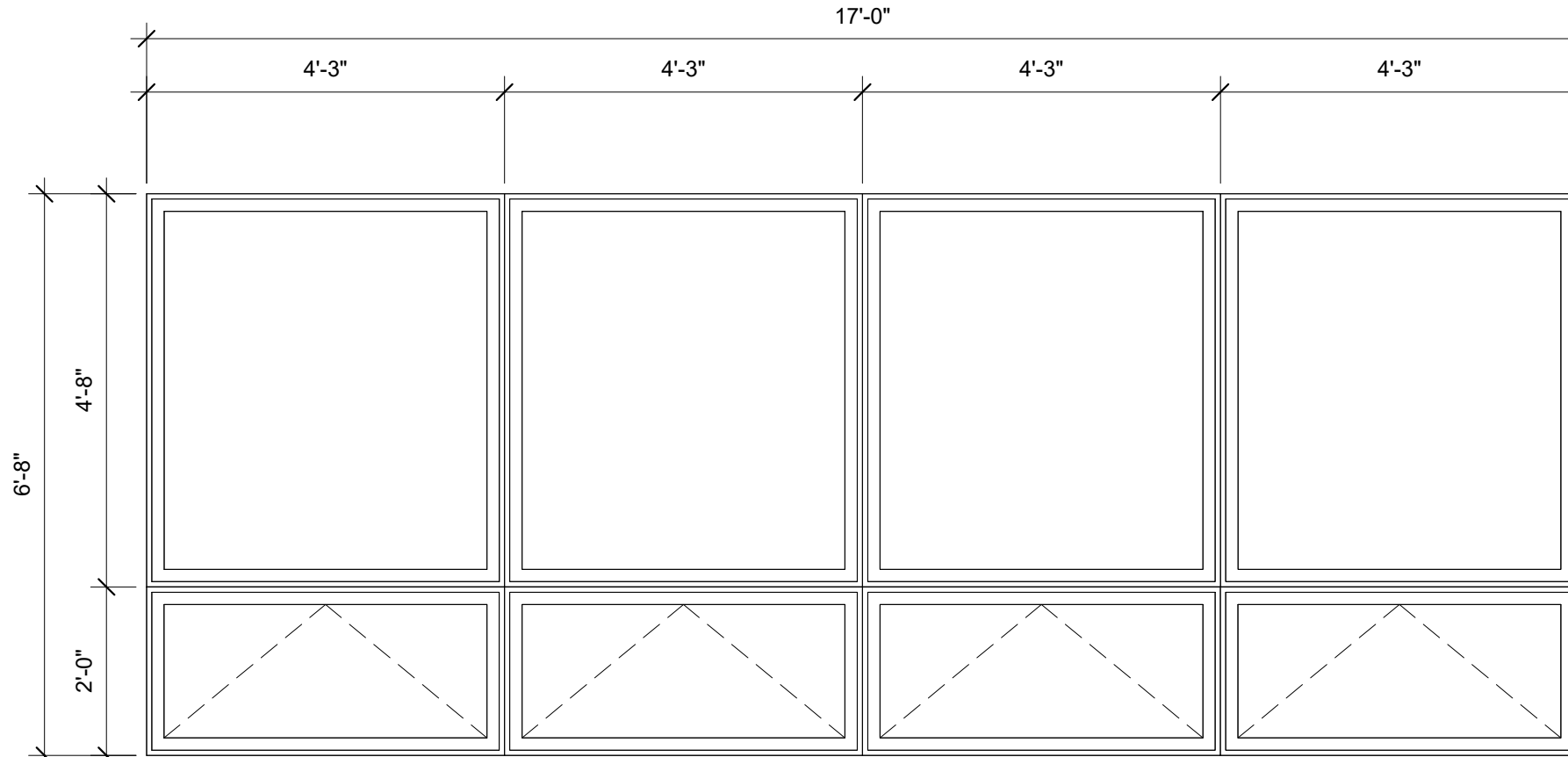
V



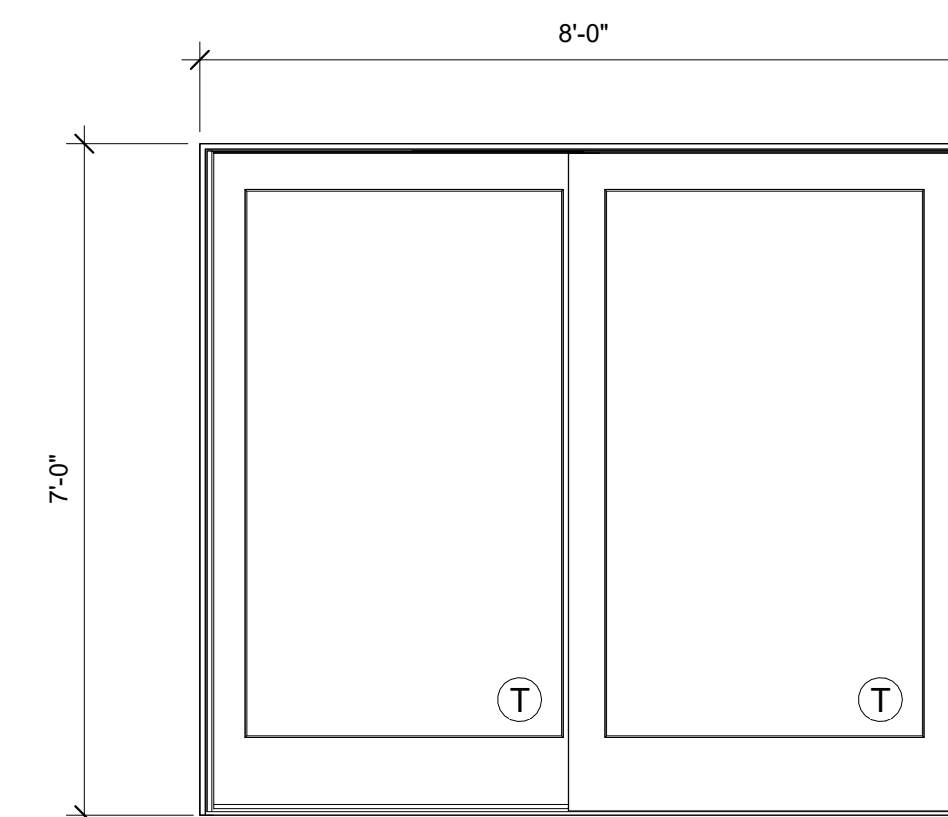
W



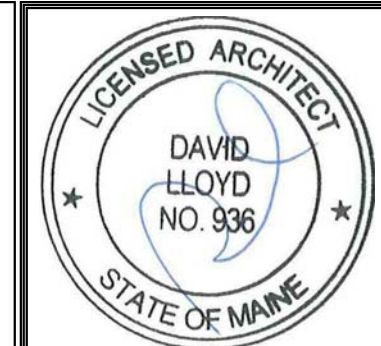
X



Y



USD1



Prepared For:
**EssexNorth
Portland LLC**
P.O. Box 394
Topsfield, MA 01983

Consultant:
**ARCHETYPE
architects**
48 Union Wharf Portland, Maine 04101
(207) 772-6022 Fax (207) 772-4056

Project:
**THAMES STREET
CONDOMINIUM**
20 Thames Street, Portland Maine

Revisions:
5 08/16/17 HP REVISIONS

Date: 15 AUG 2017
Scale: 1/2" = 1'-0"
WINDOW SCHEDULE

A8.02