

## PUBLIC DOOR SCHEDULE

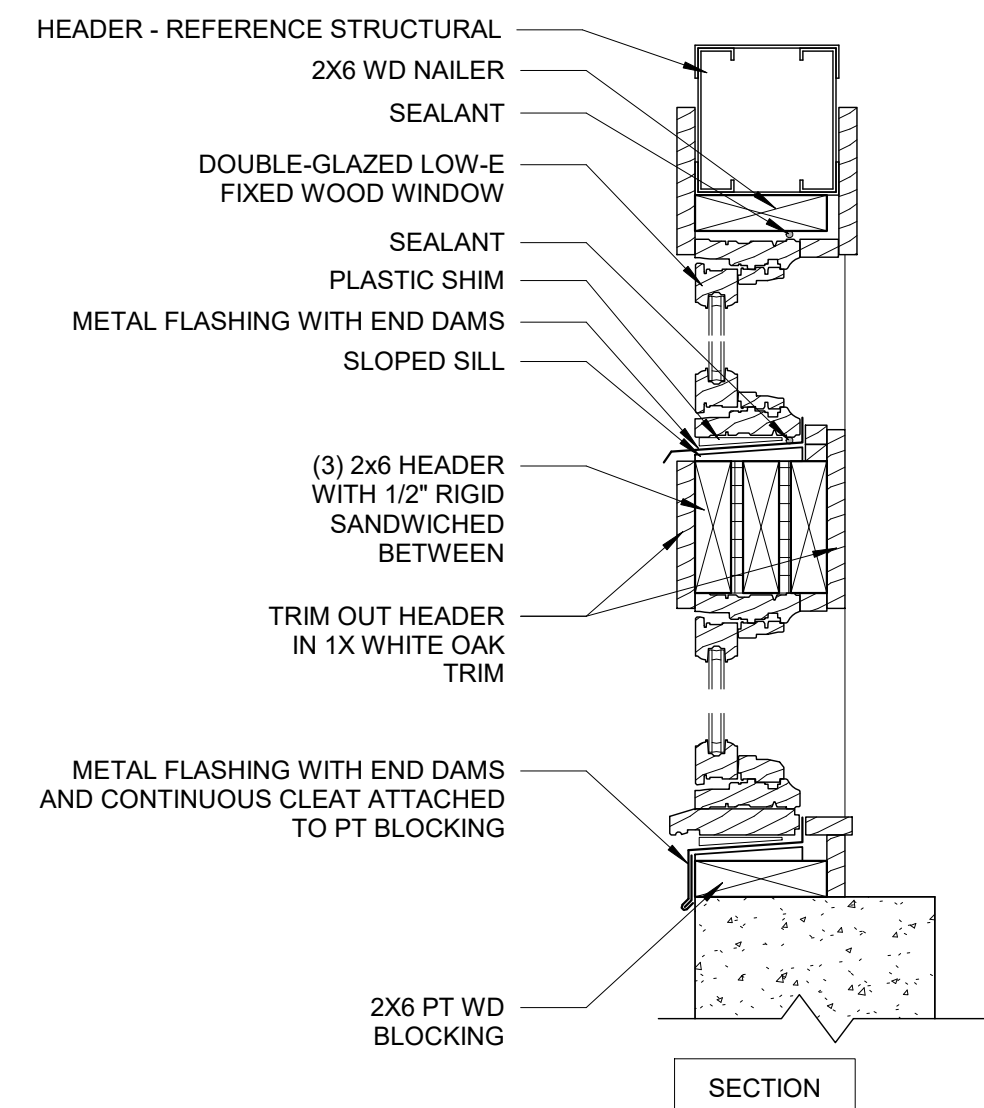
DOOR No.	LOCATION	DOOR			FRAME		THRESHOLD	MATERIAL	FINISH	LABEL	OPER.	SWEEP	CL.	REMARKS
		W	H	THCK	TYPE	MAT'L								
101	LOBBY	3'-0"	8'-0"	1 3/4"	2			PAINTED			EXTERIOR			WEATHERSEAL - INSULATED DOOR
102	UTILITY ROOM	3'-0"	8'-0"	1 3/8"	1			PAINTED			PASSAGE			
103	STAIR B	3'-0"	8'-0"	1 3/4"	2			PAINTED	90 MIN		PASSAGE			SMOKE SEAL
104	STAIR B	3'-0"	8'-0"	1 3/4"	2			PAINTED			PASSAGE			WEATHERSEAL - INSULATED DOOR
105	STAIR A	3'-0"	8'-0"	1 3/4"	2			PAINTED	90 MIN		PASSAGE			SMOKE SEAL
106	VEST.	3'-0"	8'-0"	1 3/4"	2			PAINTED			EXTERIOR			WEATHERSEAL - INSULATED DOOR
107	MECH RM	3'-0"	8'-0"	1 3/8"	1			PAINTED			EXTERIOR			WEATHERSEAL - INSULATED DOOR
108	ELEC RM	3'-0"	8'-0"	1 3/8"	1			PAINTED			PASSAGE			PANIC HARDWARE
109	LOBBY	3'-0"	8'-0"	1 3/8"	3			PAINTED			PASSAGE			
201	STAIR A	3'-0"	8'-0"	1 3/4"	2			PAINTED	90 MIN		PASSAGE			SMOKE SEAL
202	STAIR B	3'-0"	8'-0"	1 3/4"	2			PAINTED	90 MIN		PASSAGE			SMOKE SEAL
301	STAIR A	3'-0"	8'-0"	1 3/4"	2			PAINTED	90 MIN		PASSAGE			SMOKE SEAL
302	STAIR B	3'-0"	8'-0"	1 3/4"	2			PAINTED	90 MIN		PASSAGE			SMOKE SEAL
303	TEL/DATA	2'-6"	8'-0"	1 3/4"	1			PAINTED			STORAGE			
401	STAIR A	3'-0"	8'-0"	1 3/4"	2			PAINTED	90 MIN		PASSAGE			SMOKE SEAL
402	STAIR B	3'-0"	8'-0"	1 3/4"	2			PAINTED	90 MIN		PASSAGE			SMOKE SEAL
501	STAIR A	3'-0"	8'-0"	1 3/4"	2			PAINTED	90 MIN		PASSAGE			SMOKE SEAL
502	STAIR B	3'-0"	8'-0"	1 3/4"	2			PAINTED	90 MIN		PASSAGE			SMOKE SEAL
503	TEL/DATA	2'-6"	8'-0"	1 3/4"	1			PAINTED			STORAGE			
601	STAIR A	3'-0"	8'-0"	1 3/4"	2			PAINTED	90 MIN		PASSAGE			SMOKE SEAL
602	STAIR B	3'-0"	8'-0"	1 3/4"	2			PAINTED	90 MIN		PASSAGE			SMOKE SEAL
ST2	UNIT A	5'-9 1/2"	8'-0 1/4"	1 3/4"	4		ALUM	ALUM			EXTERIOR			WEATHER SEAL - INSULATED DOOR - SEE STOREFRONT SCHD
ST4	UNIT B	6'-0"	8'-0"	1 3/4"	4		ALUM	ALUM			EXTERIOR			WEATHER SEAL - INSULATED DOOR - SEE STOREFRONT SCHD
ST6	UNIT B	6'-0"	8'-0"	1 3/4"	4		ALUM	ALUM			EXTERIOR			WEATHER SEAL - INSULATED DOOR - SEE STOREFRONT SCHD
ST7A	BIKE STORAGE	3'-0"	8'-0"	1 3/4"	3		ALUM	ALUM			EXTERIOR			WEATHER SEAL - INSULATED DOOR - SEE STOREFRONT SCHD
ST7B	UTILITY ROOM	3'-0"	8'-0"	1 3/4"	3		ALUM	ALUM			EXTERIOR			WEATHER SEAL - INSULATED DOOR - SEE STOREFRONT SCHD
ST8	STAIR	3'-0"	8'-0"	1 3/4"	3		ALUM	ALUM			EXTERIOR			WEATHER SEAL - INSULATED DOOR - SEE STOREFRONT SCHD
ST9	LOBBY	3'-6"	7'-8"	1 3/4"	5		WHITE OAK	ALUM			EXTERIOR			WEATHER SEAL - INSULATED DOOR - SEE STOREFRONT SCHD
ST10	UNIT A	5'-11 1/2"	8'-0"	1 3/4"	4		ALUM	ALUM			EXTERIOR			WEATHER SEAL - INSULATED DOOR - SEE STOREFRONT SCHD

## UNIT DOOR SCHEDULE

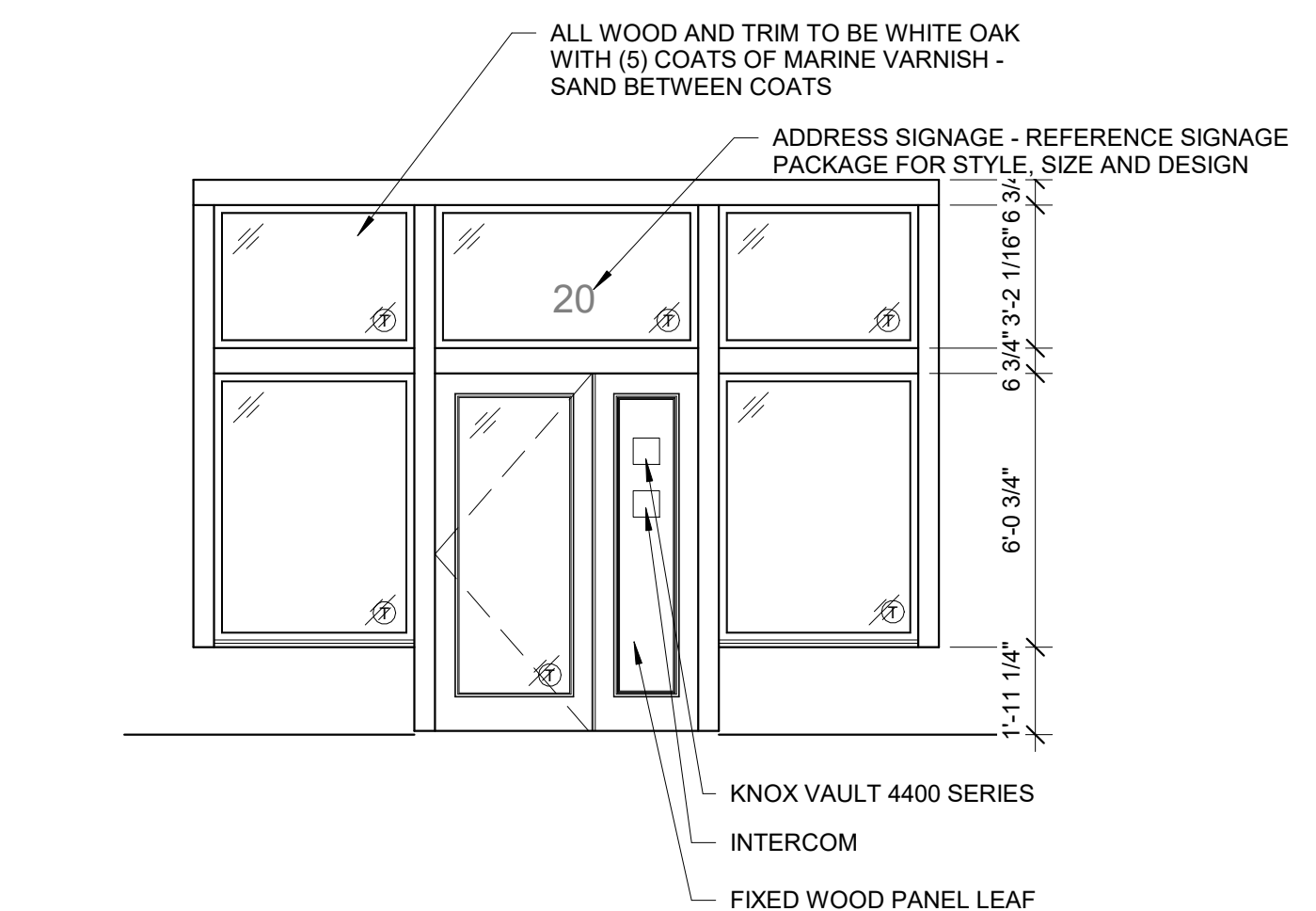
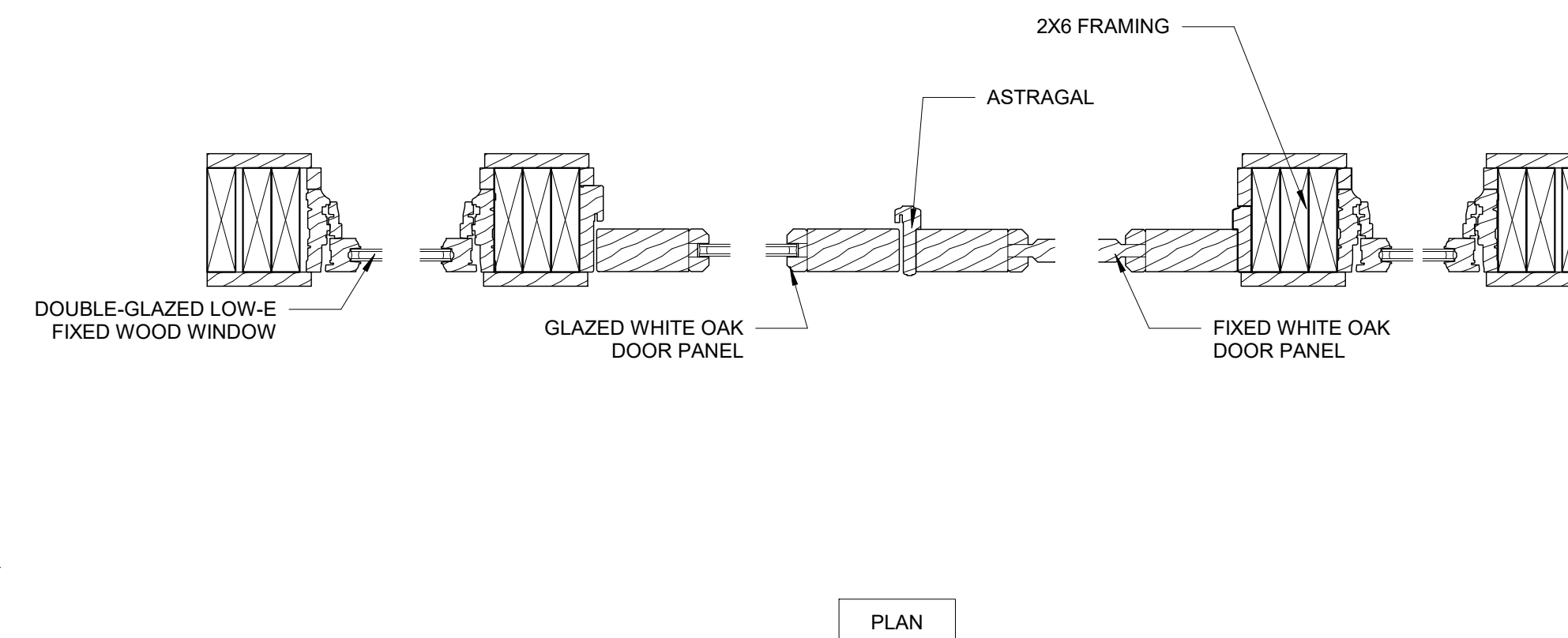
DOOR No.	SIZE		THICKNESS	DOOR			FRAME		LABEL	FINISH	REMARKS	
	WIDTH	HEIGHT		TYPE	MATERIAL	FINISH	MATERIAL	TYPE				
U1	3'-0"	8'-0"	1 3/8"	20	MTL	PAINTED	ALUM	MTL	A 1 1/2"	20 MIN	PAINTED	UNIT ENTRY DOOR WITH CLOSER AND SMOKE SEAL
U2	3'-0"	8'-0"	1 3/8"	23	WOOD	PAINTED		WOOD	D 1 1/2"		PAINTED	SWING DOOR
U3	2'-10"	8'-0"	1 3/4"	23	WOOD	PAINTED		WOOD	D 1 1/2"		PAINTED	SWING DOOR
U4	2'-6"	8'-0"	1 3/4"	23	WOOD	PAINTED		WOOD	D 1 1/2"		PAINTED	POCKET DOOR
U5	3'-0"	8'-0"	1 3/8"	23	WOOD	PAINTED		WOOD	D 1 1/2"		PAINTED	POCKET DOOR
U6	2'-8"	8'-0"	1 3/8"	23	WOOD	PAINTED		WOOD	D 1 1/2"		PAINTED	POCKET DOOR
U7	2'-6"	8'-0"	1 3/8"	23	WOOD	PAINTED		WOOD	D 1 1/2"		PAINTED	POCKET DOOR
U8	3'-0"	8'-0"	1 3/8"	21	WOOD/GLASS	PAINTED		WOOD	D 1 1/2"		PAINTED	FULL LITE POCKET DOOR
U10	3'-0"	6'-8"	1 1/2"	22	WOOD/GLASS	PAINTED		WOOD	D 1 1/2"		PAINTED	FULL LITE DOUBLE POCKET DOOR
U11	2'-6"	6'-8"	1 1/2"	22	WOOD/GLASS	PAINTED		WOOD	D 1 1/2"		PAINTED	FULL LITE DOUBLE POCKET DOOR
U12	4'-0"	8'-0"	1 3/4"	22	WOOD/GLASS	PAINTED		WOOD	D 1 1/2"		PAINTED	FULL LITE DOUBLE SWING DOORS
U13	3'-6"	8'-0"	1 3/4"	23	WOOD	PAINTED		WOOD	D 1 1/2"		PAINTED	DOUBLE SWING DOORS
U14	5'-8"	8'-0"	1 3/8"	23	WOOD	PAINTED		WOOD	D 1 1/2"		PAINTED	TWO PANEL SLIDING CLOSET DOOR
U15	5'-0"	8'-0"	1 3/8"	23	WOOD	PAINTED		WOOD	D 1 1/2"		PAINTED	TWO PANEL SLIDING CLOSET DOOR
U17	7'-0"	8'-0"	1 3/4"	23	WOOD	PAINTED		WOOD	D 1 1/2"		PAINTED	THREE PANEL SLIDING CLOSET DOOR
U18	9'-0"	8'-0"	1 3/8"	23	WOOD	PAINTED		WOOD	D 1 1/2"		PAINTED	FOUR PANEL SLIDING CLOSET DOOR
U19	14'-6"	8'-0"	1 3/8"	23	WOOD	PAINTED		WOOD	D 1 1/2"		PAINTED	SIX PANEL SLIDING CLOSET DOOR
U20	12'-10"	8'-0"	1 3/4"	23	WOOD	PAINTED		WOOD	D 1 1/2"		PAINTED	FIVE PANEL SLIDING CLOSET DOOR
USD1	8'-0"	7'-0"	1 3/4"	-	UPVC	-	ALUM	UPVC	-	-	-	EXTERIOR SLIDING DOOR - SEE WINDOW SCHEDULE

### NOTES :

- ALL THRESHOLDS BETWEEN WOOD FLOORS AND BATHROOM TILED FLOORS ARE TO BE SCHLUTER EDGE THRESHOLDS

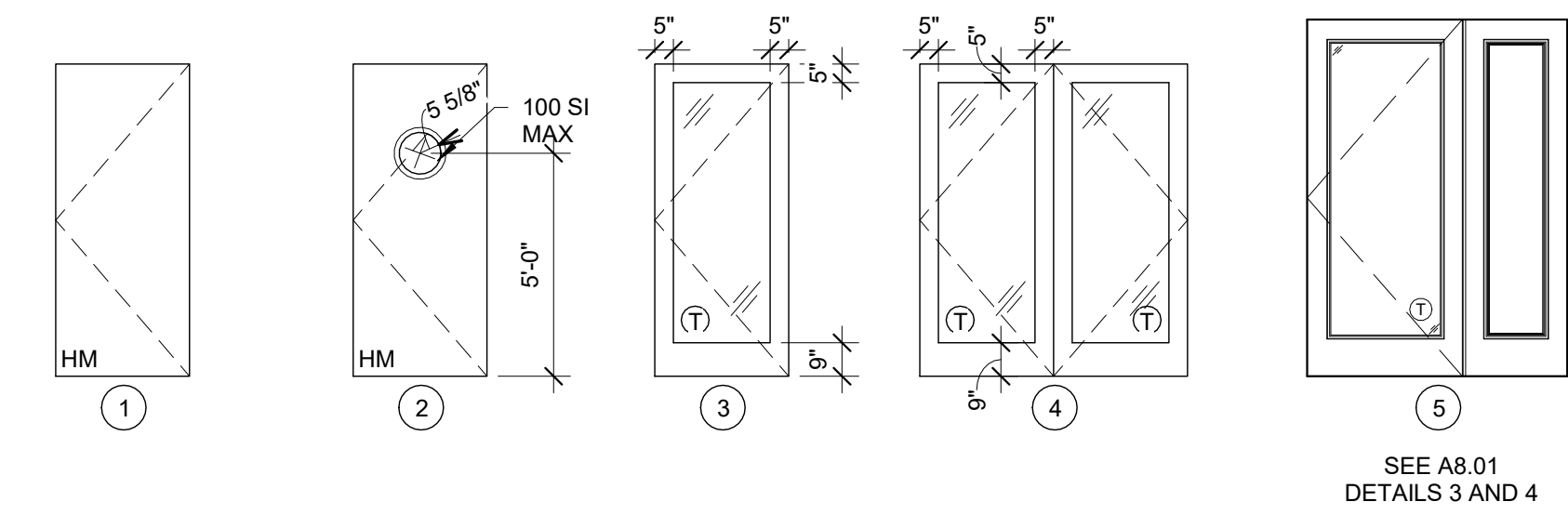


3 STOREFRONT 9 DETAILS  
1 1/2" = 1'-0"

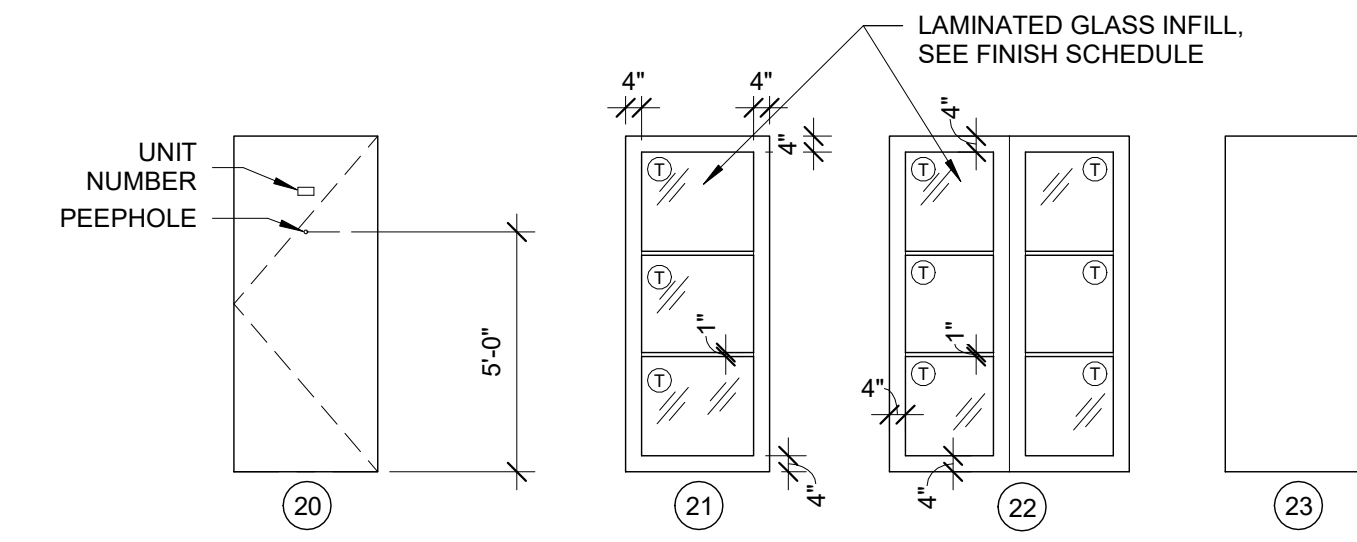


4 STOREFRONT 9 ELEVATION  
1/4" = 1'-0"

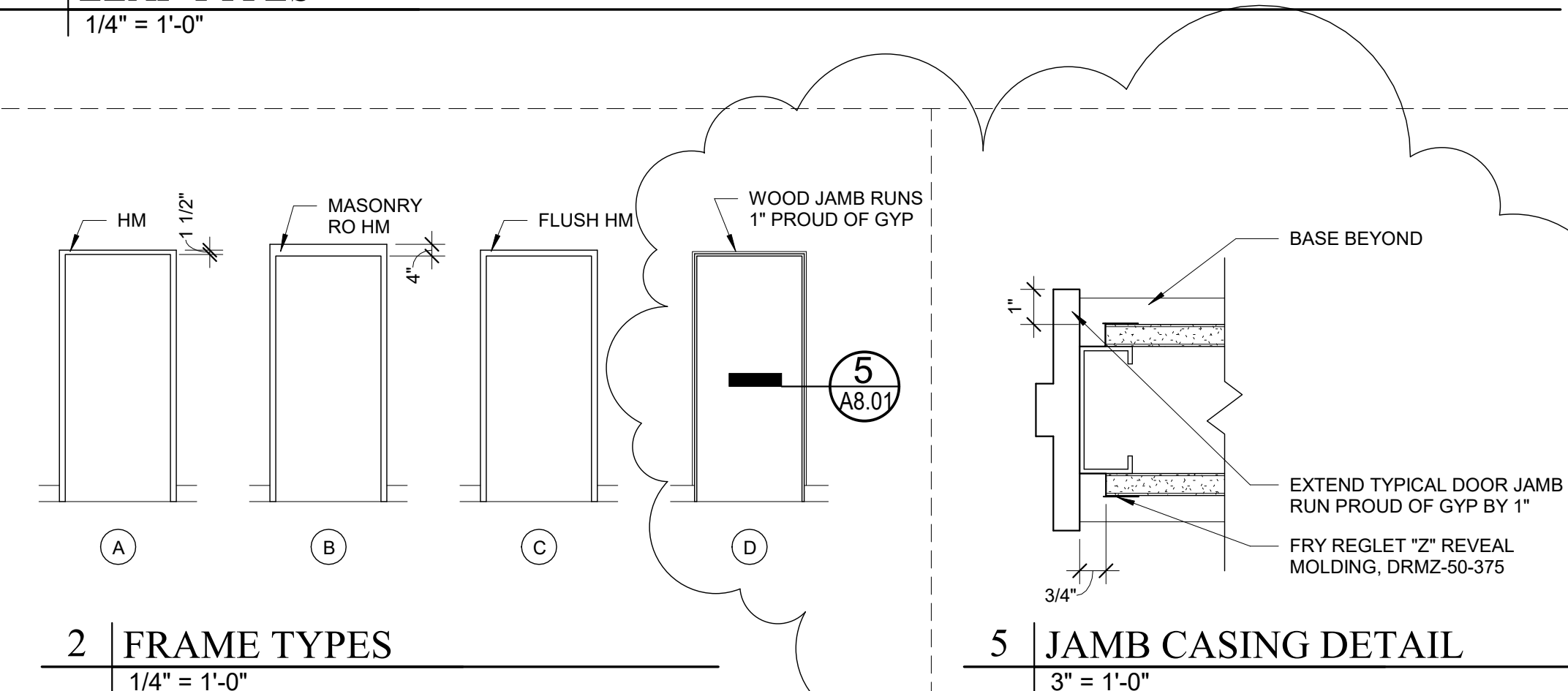
## PUBLIC AREA DOORS



## UNIT DOORS

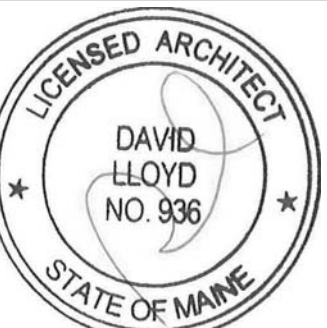


1 LEAF TYPES  
1/4" = 1'-0"



2 FRAME TYPES  
1/4" = 1'-0"

5 JAMB CASING DETAIL  
3" = 1'-0"



Prepared For:  
**Essex North 20  
Thames LLC**

P.O. Box 7486  
Portland, ME 04112

Consultant:



Architect:

Project:  
**20 THAMES STREET  
CONDOMINIUM**

20 Thames Street, Portland Maine

Revisions:  
4 08/15/17 ADDENDUM 2  
6 10/11/17 ADDENDUM 3

Date:  
11 OCT 2017

Scale:  
As indicated

DOOR SCHEDULE

# A8.01