

Prepared For:
EssexNorth 20
Thames LLC

Consultant:

Architect:
ARCHETYPE
architects
48 Union Wharf Portland, Maine 04101
(207) 772-6022 Fax (207) 772-4056

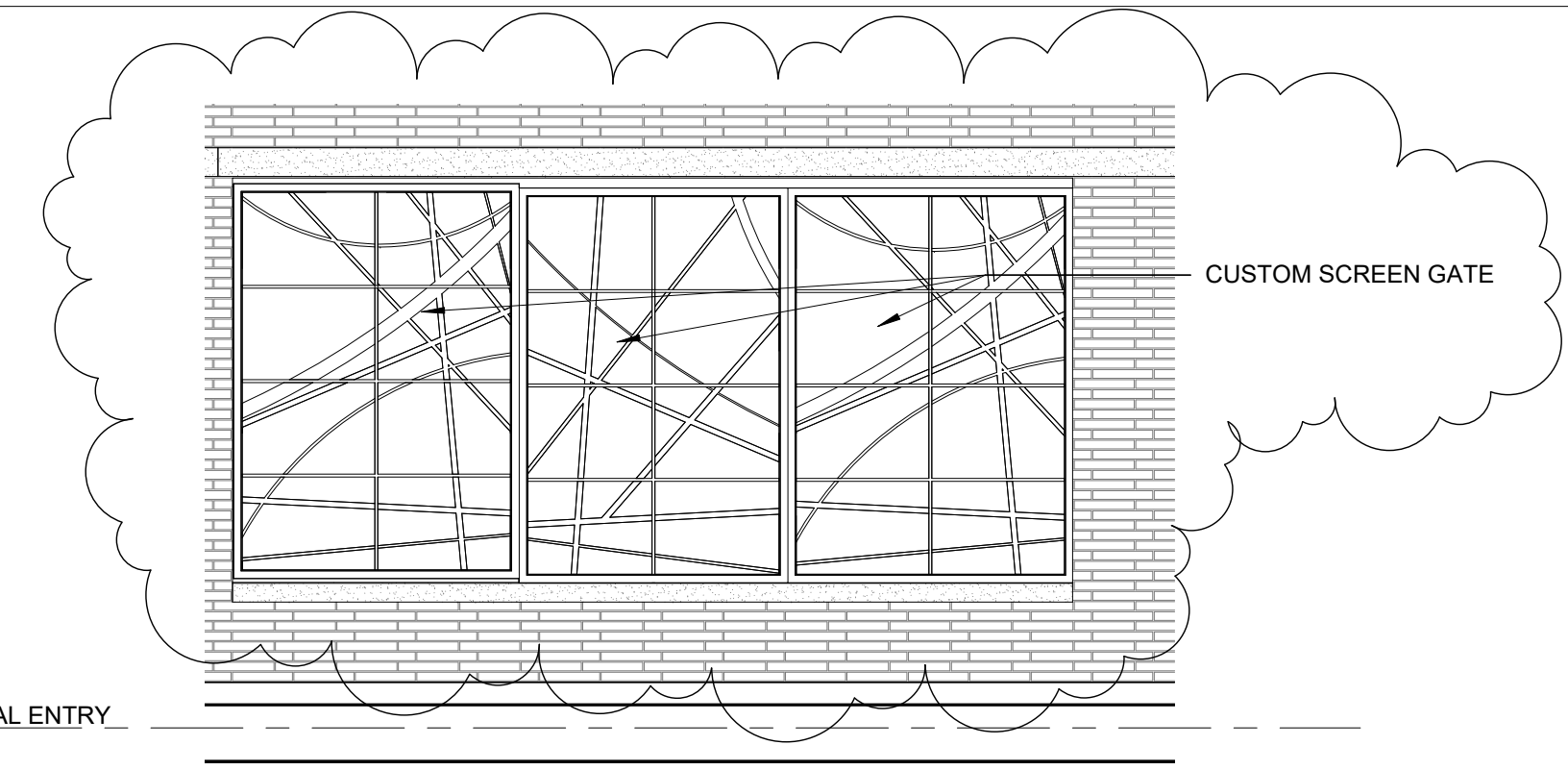
Project:
20 THAMES STREET
CONDOMINIUM
20 Thames Street, Portland Maine

Revisions:
6 10/11/17 ADDENDUM 3

Date:
11 OCT 2017
Scale:
1/4" = 1'-0"

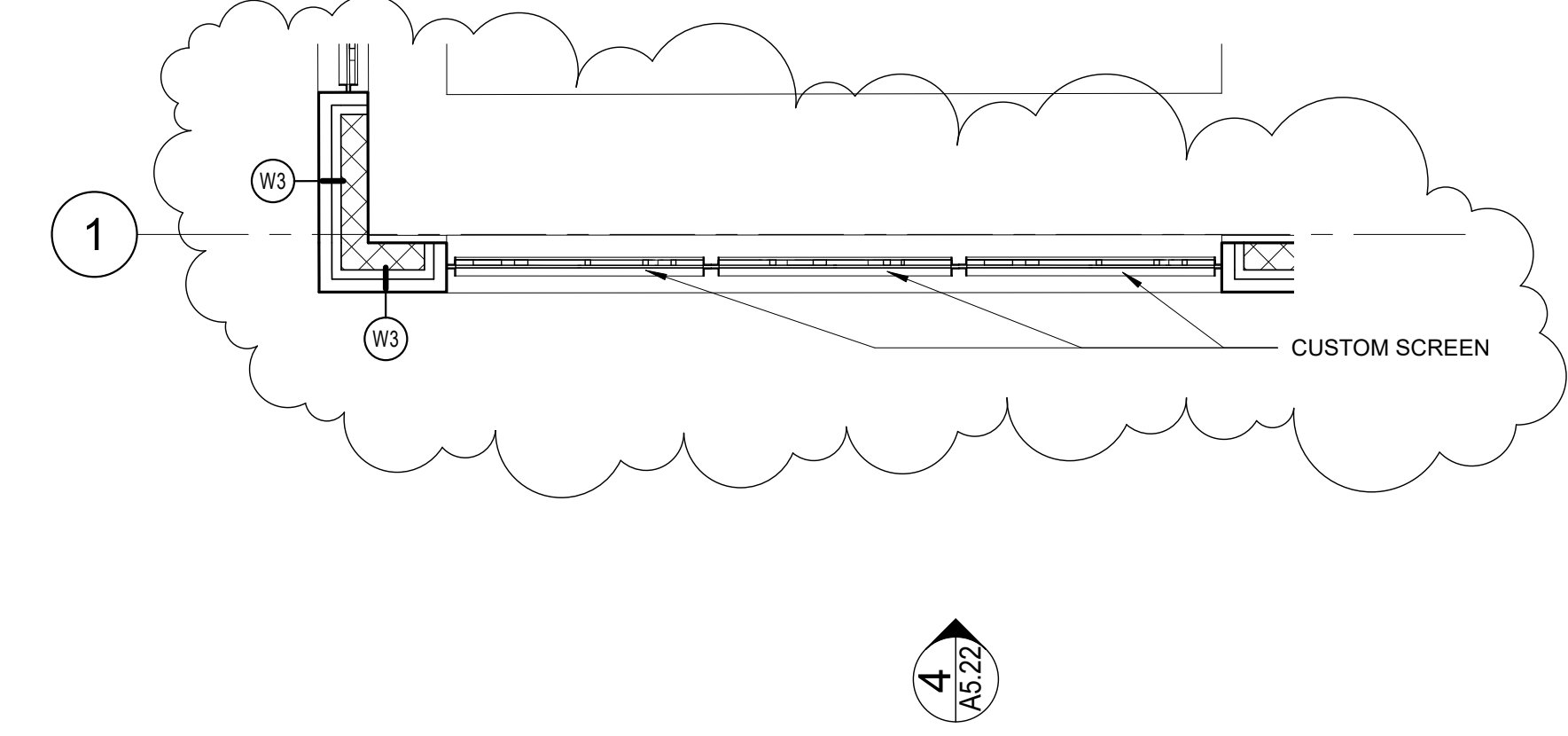
METAL SCREEN
DETAILS

A5.22

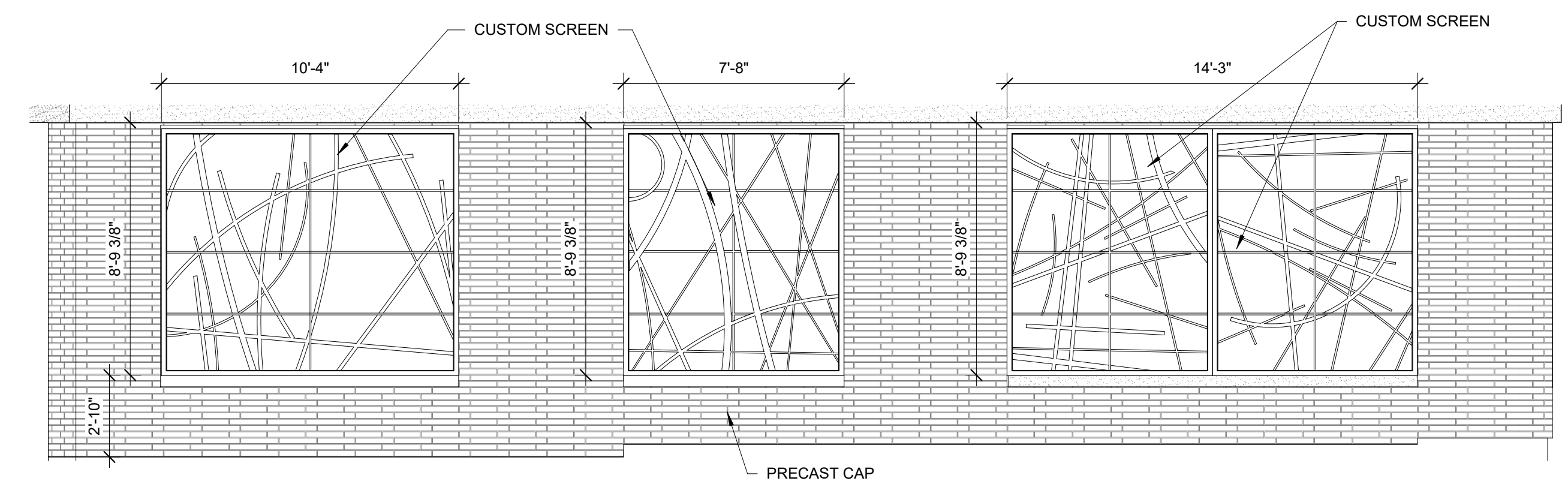


RESIDENTIAL ENTRY
16'-2"

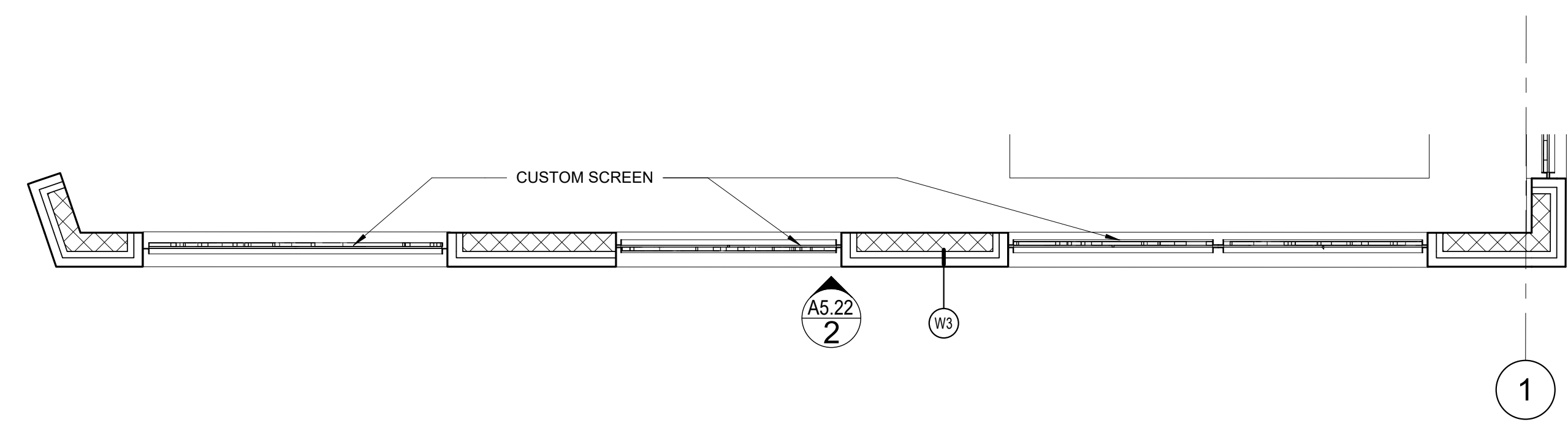
4 METAL PANEL ELEVATION AT GAS METERS
1/4" = 1'-0"



3 METAL PANEL PLAN AT GAS METERS
1/4" = 1'-0"



2 METAL PANEL ELEVATIONS
1/4" = 1'-0"



1 PLAN AT METAL PANELS
1/4" = 1'-0"