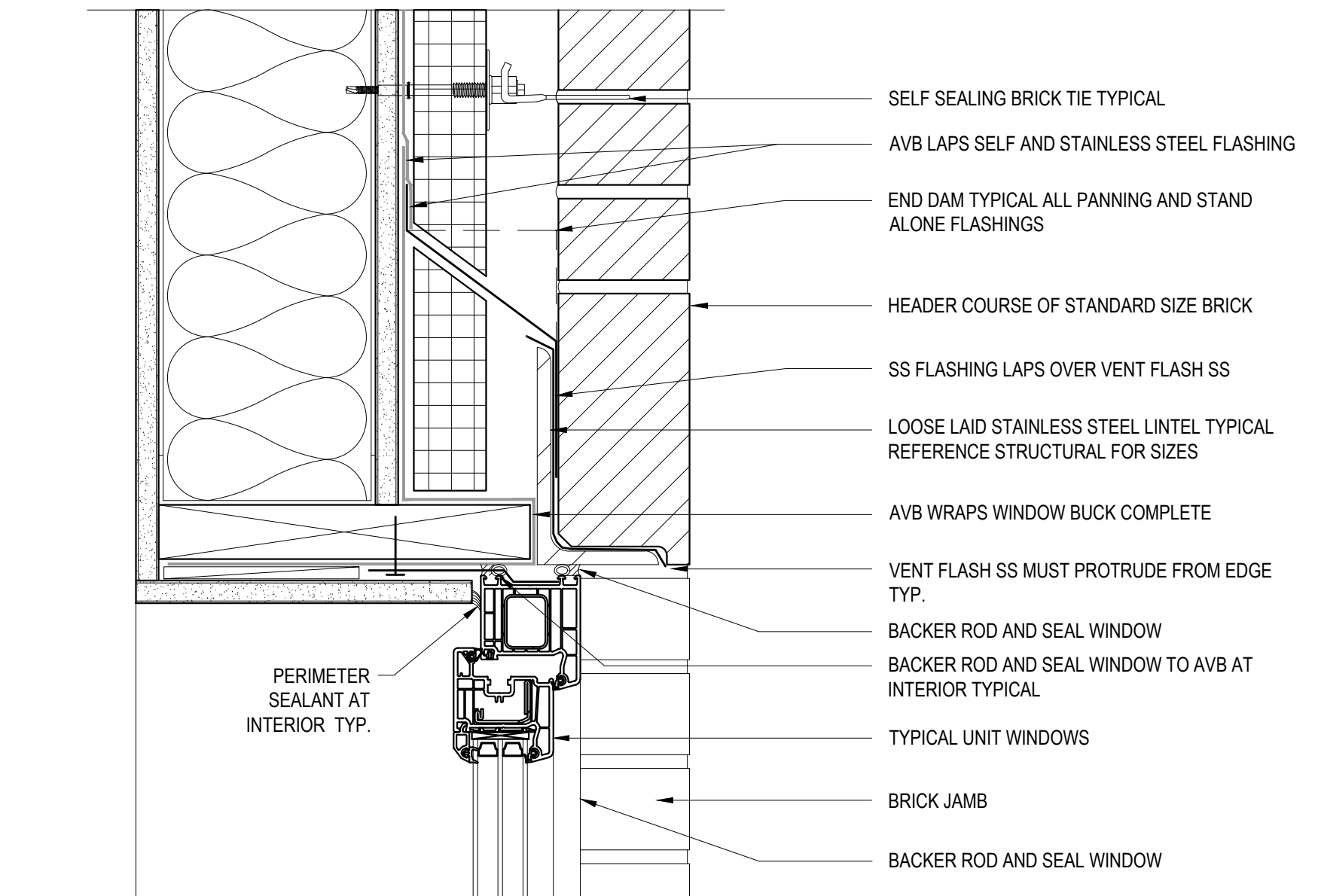
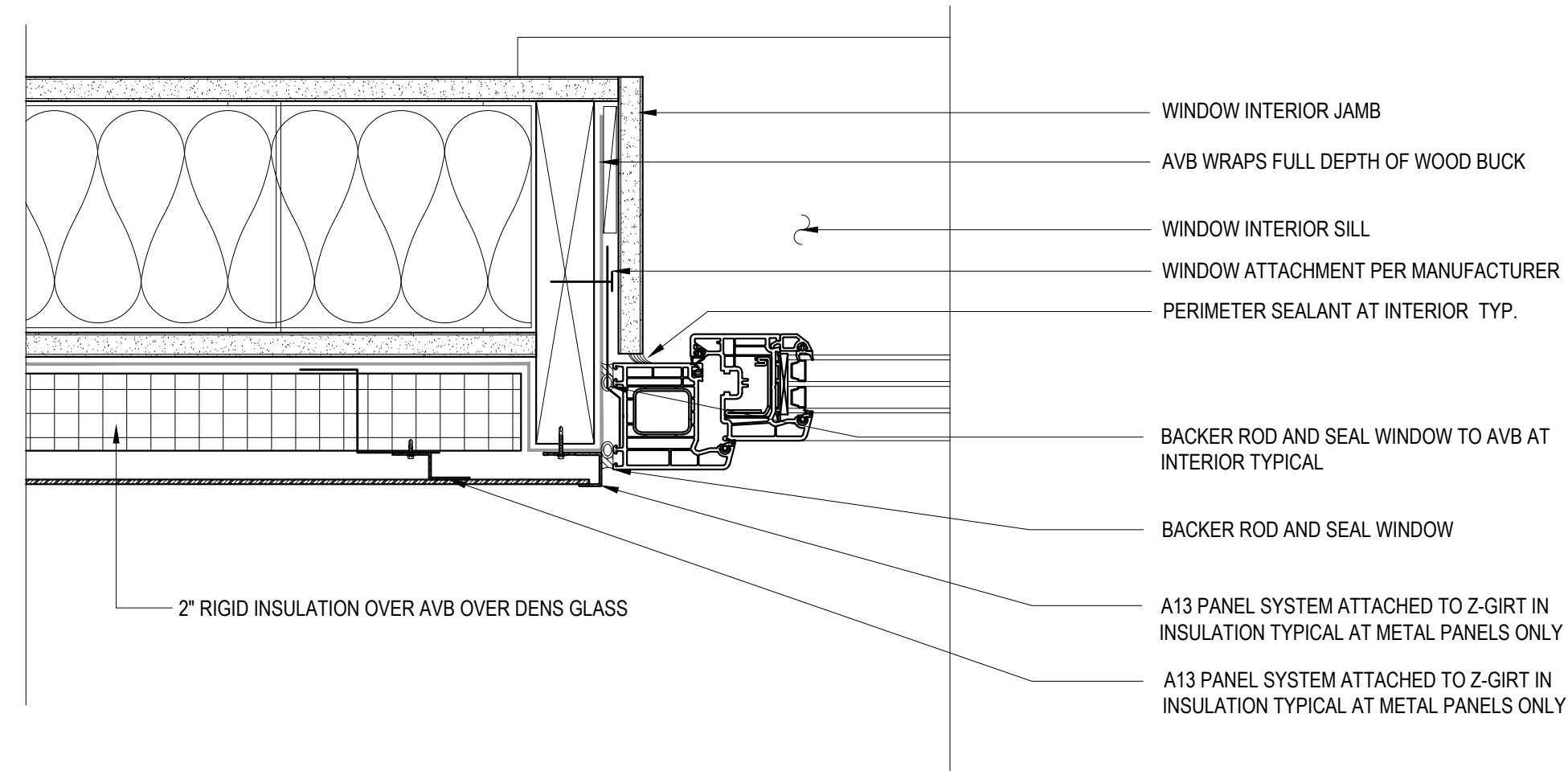


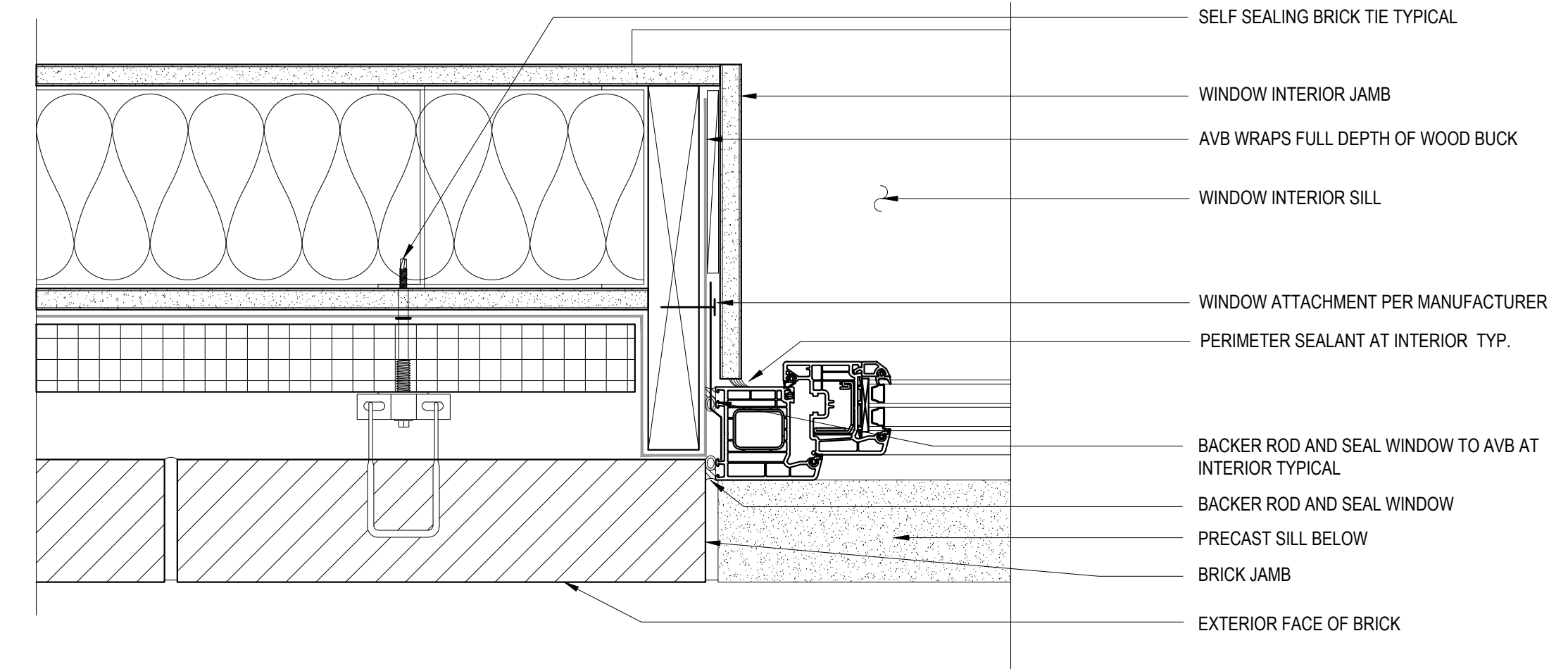
6 TYPICAL HEAD AT METAL PANEL
3" = 1'-0"



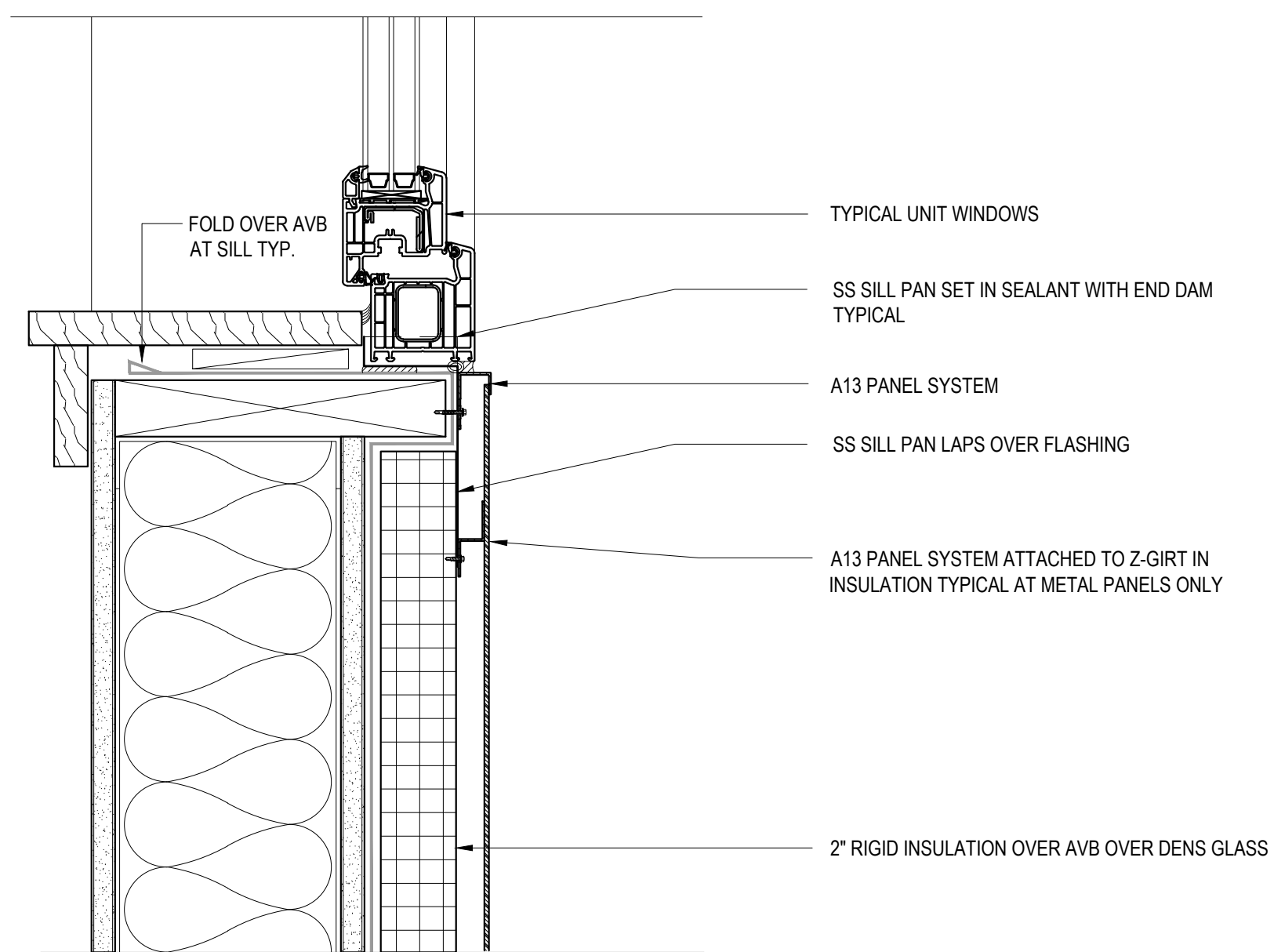
5 TYPICAL HEAD AT BRICK
3" = 1'-0"



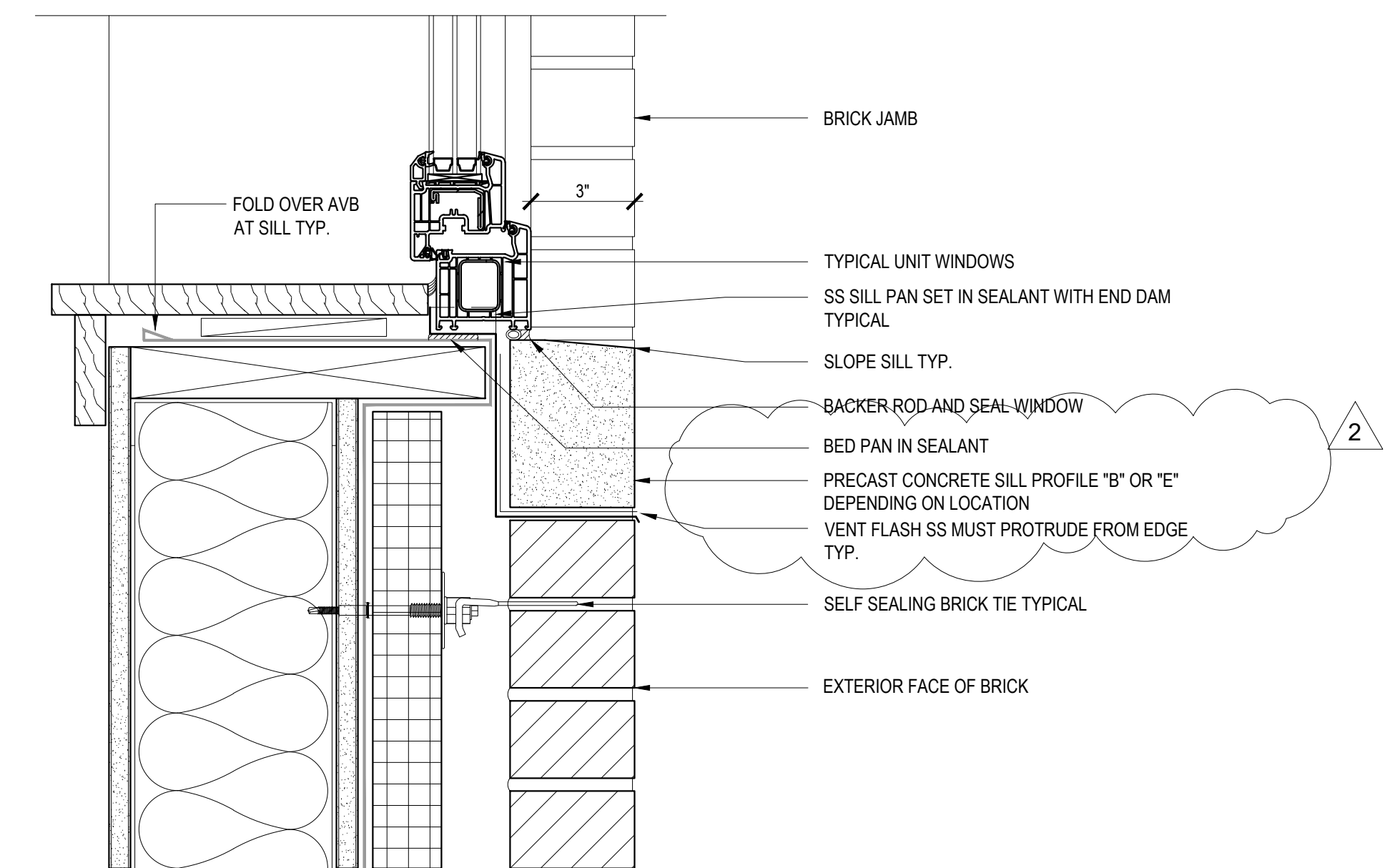
4 TYPICAL WINDOW JAMB AT METAL PANEL
3" = 1'-0"



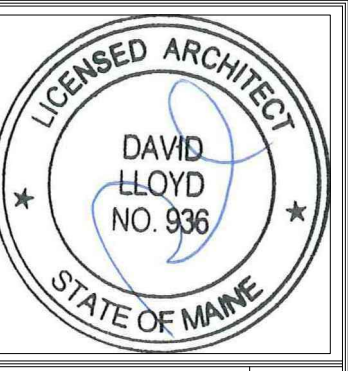
3 TYPICAL WINDOW JAMB AT BRICK
3" = 1'-0"



2 TYPICAL WINDOW SILL AT METAL PANEL
3" = 1'-0"



1 TYPICAL WINDOW SILL AT BRICK
3" = 1'-0"



Prepared For:
**EssexNorth
Portland LLC**
P.O. Box 394
Topsfield, MA 01983

Consultant:
ENVELOPE
ARCHITECTURE & CONSULTING
BUILDING ENVELOPE DESIGN
CONSULTING, INVESTIGATION AND
COMMISSIONING - WINDHAM, ME
207-807-6661

Architect:
ARCHITYPE
architects
48 Union Wharf Portland, Maine 04101
(207) 772-6022 ARCHITYPE@ARCHITYPEPA.COM

Project:
**THAMES STREET
BUILDING**
20 Thames Street, Portland Maine

Revisions:
July 21, 2017 Final Bid Set
August 15, 2017 Addendum 2

Date: July 21, 2017
Scale: As indicated
DETAILS

A5.01