

PIER SCHEDULE				
MARK	TYPE	SIZE (AxB)	REINFORCING	TIES
P1	A	24"x24"	8-#8 VERT.	#4@12"
P2	B	24"x24"	8-#8 VERT.	#4@12"
P3	C	24"x24"	8-#8 VERT.	#4@12"

Prepared For:  
**EssexNorth  
 Portland LLC**  
 P.O. Box 394  
 Topsfield, MA 01983

Consultant:  
**VEITAS VEITAS  
 DUB  
 engineers**  
 630 Corvallis Street, Suite 101  
 Braintree, Massachusetts 02184  
 TEL 781.843.2863 FAX 781.849.2055

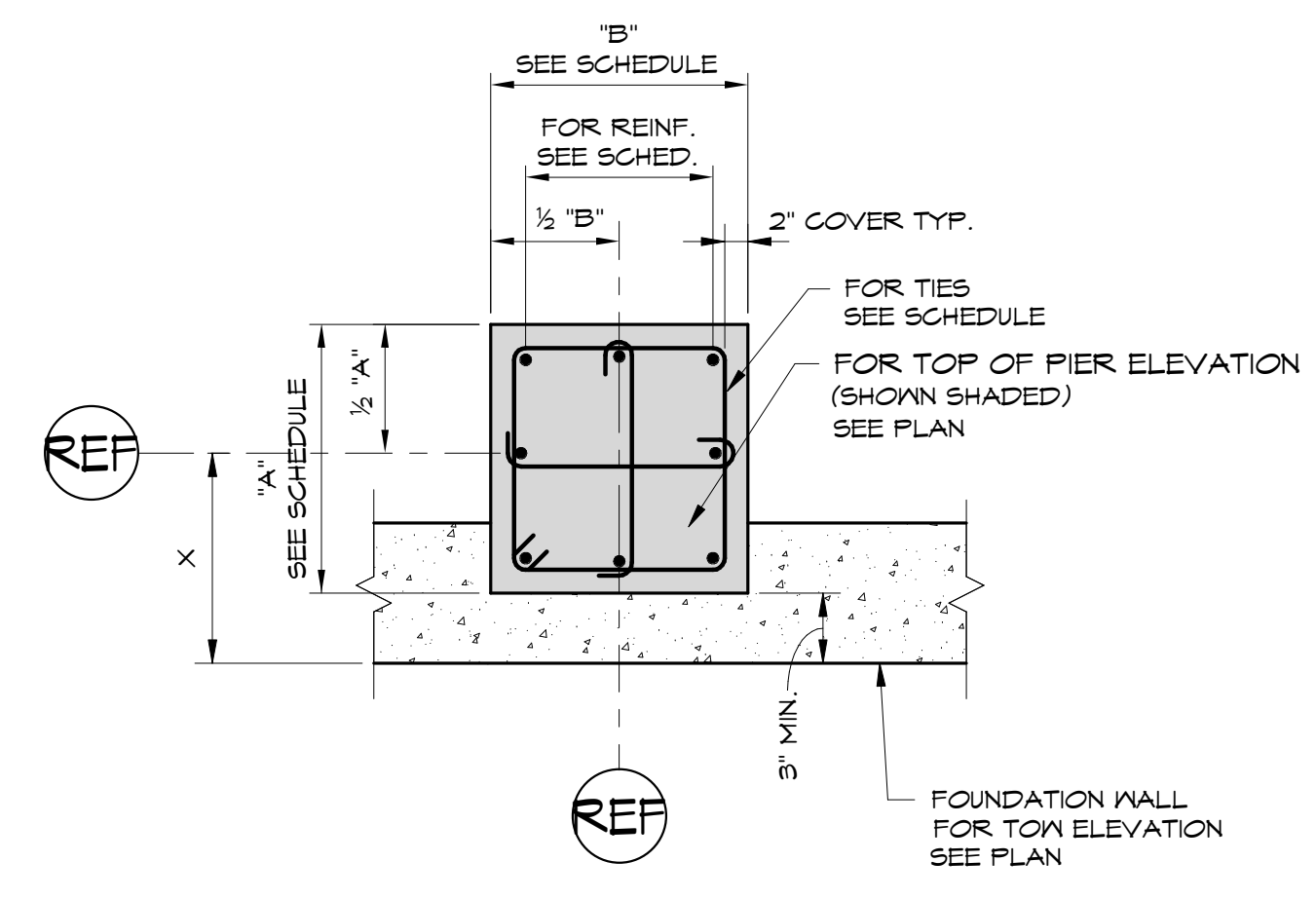
Architect:  
**ARCHITECTYPE  
 architects**  
 48 Union Wharf Portland, Maine 04101  
 (207) 772-6022 Fax (207) 772-4056

Project:  
**THAMES STREET  
 CONDOMINIUM**  
 20 Thames Street, Portland Maine

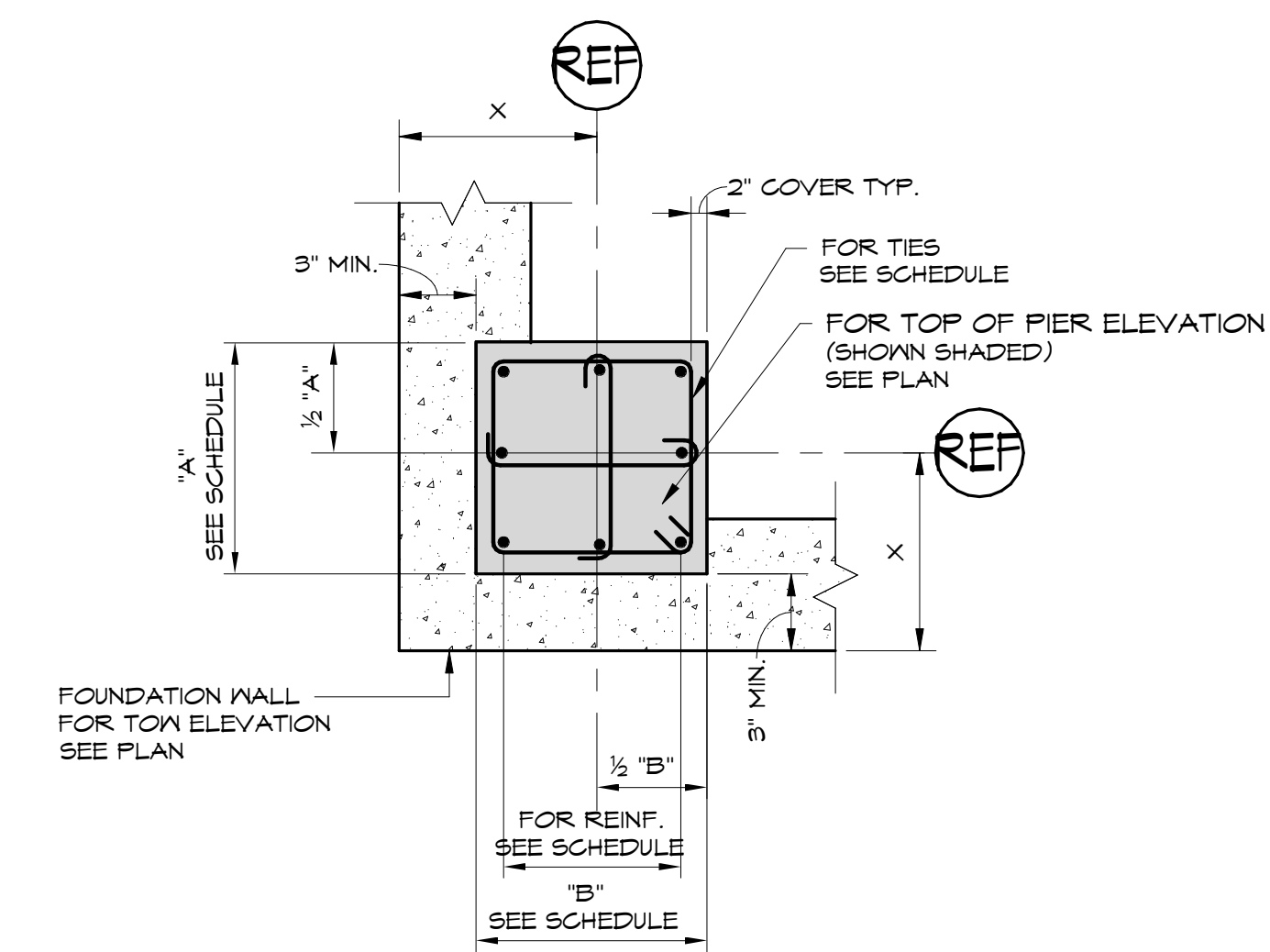
Revisions:  
 2 07/21/17 BID SET

Date: JULY 2017  
 Scale: 3/4" = 1'-0"  
**PIER DETAILS**

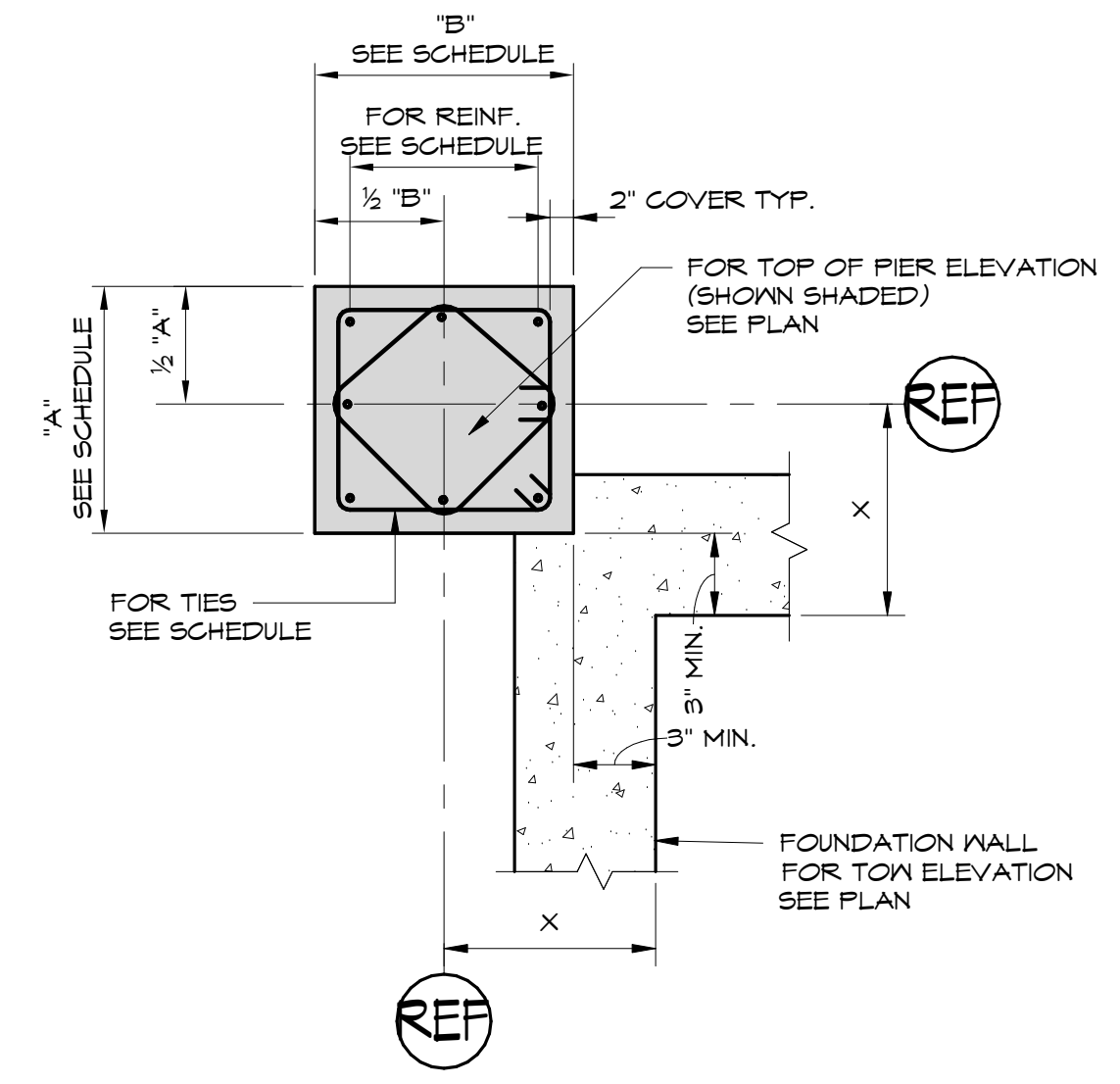
**S3.02**



**PIER DETAIL TYPE A**



**PIER DETAIL TYPE B**



**PIER DETAIL TYPE C**