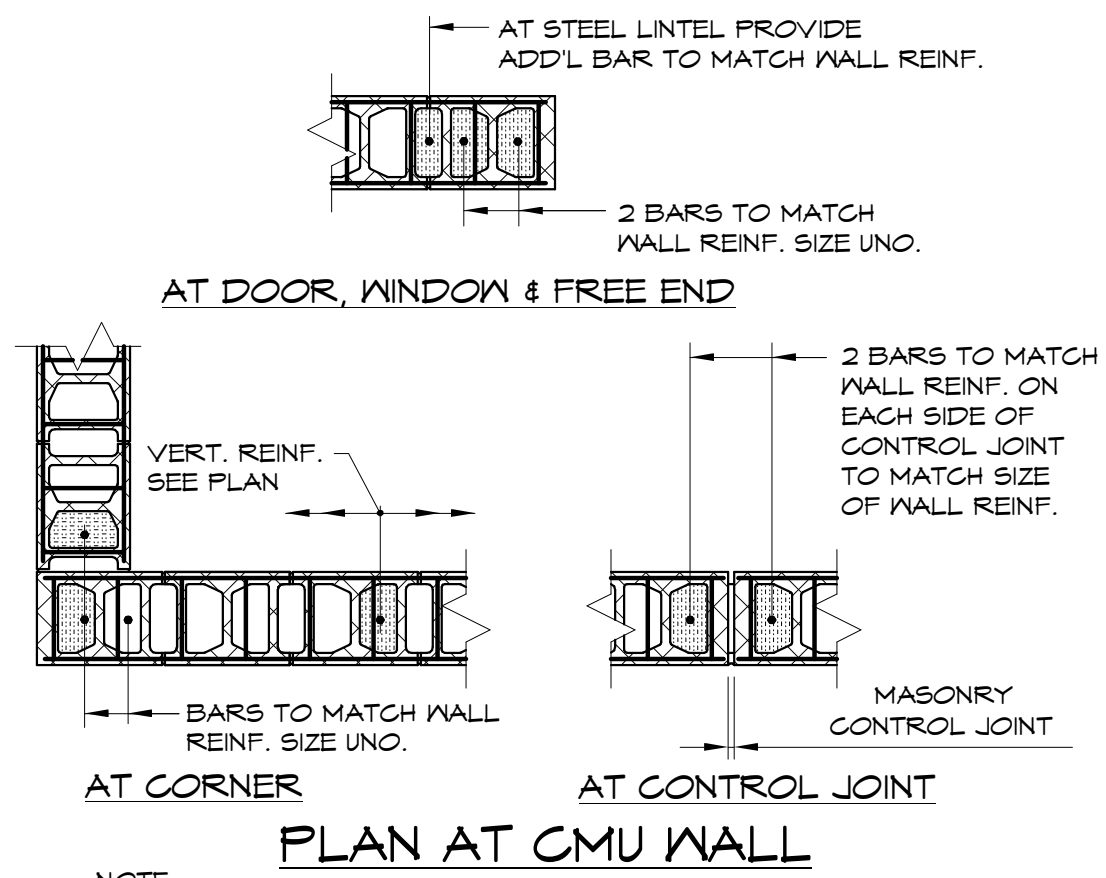


CMU LAP SCHEDULE

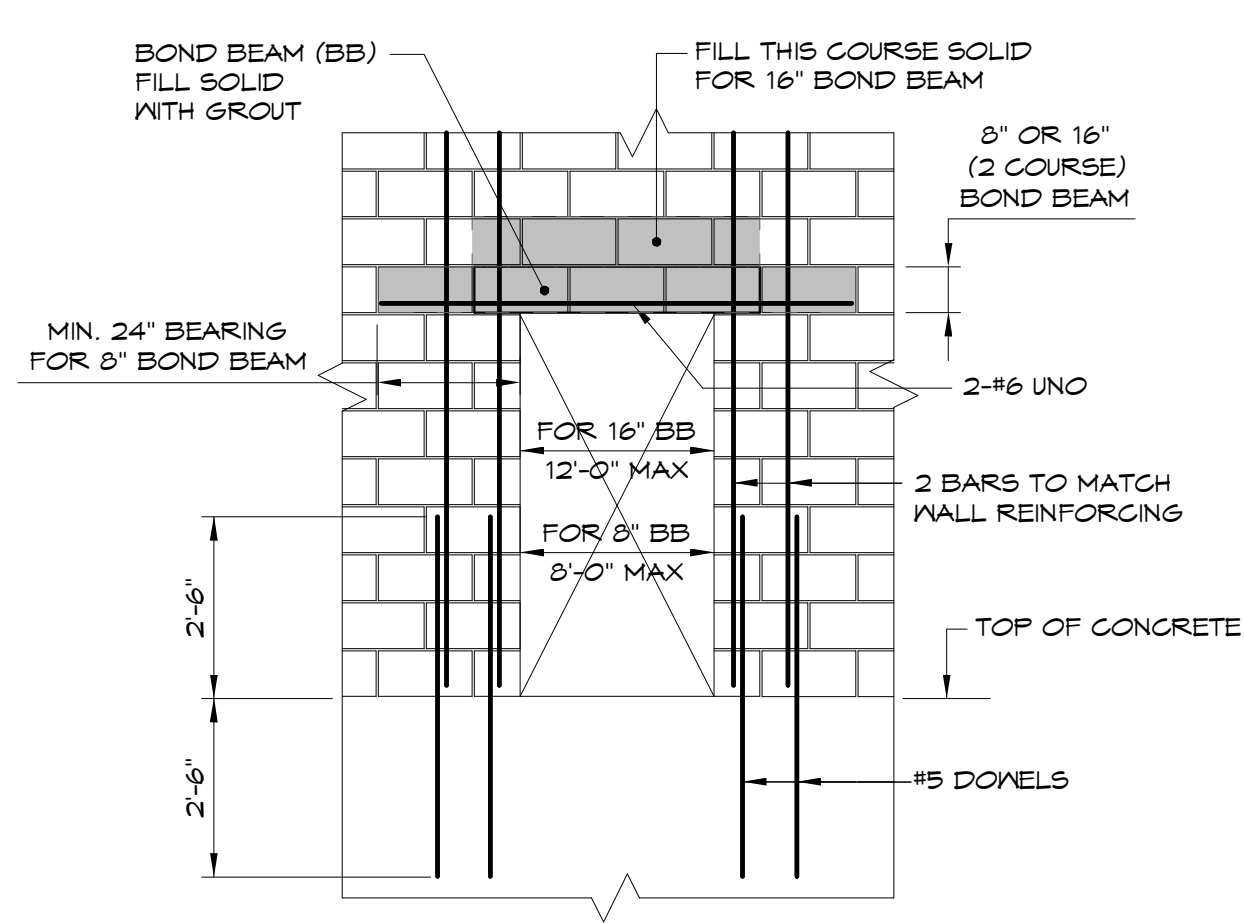
BAR SIZE	LAP LENGTH
#4	24"
#5	30"
#6	36"
#7	42"
#8	48"



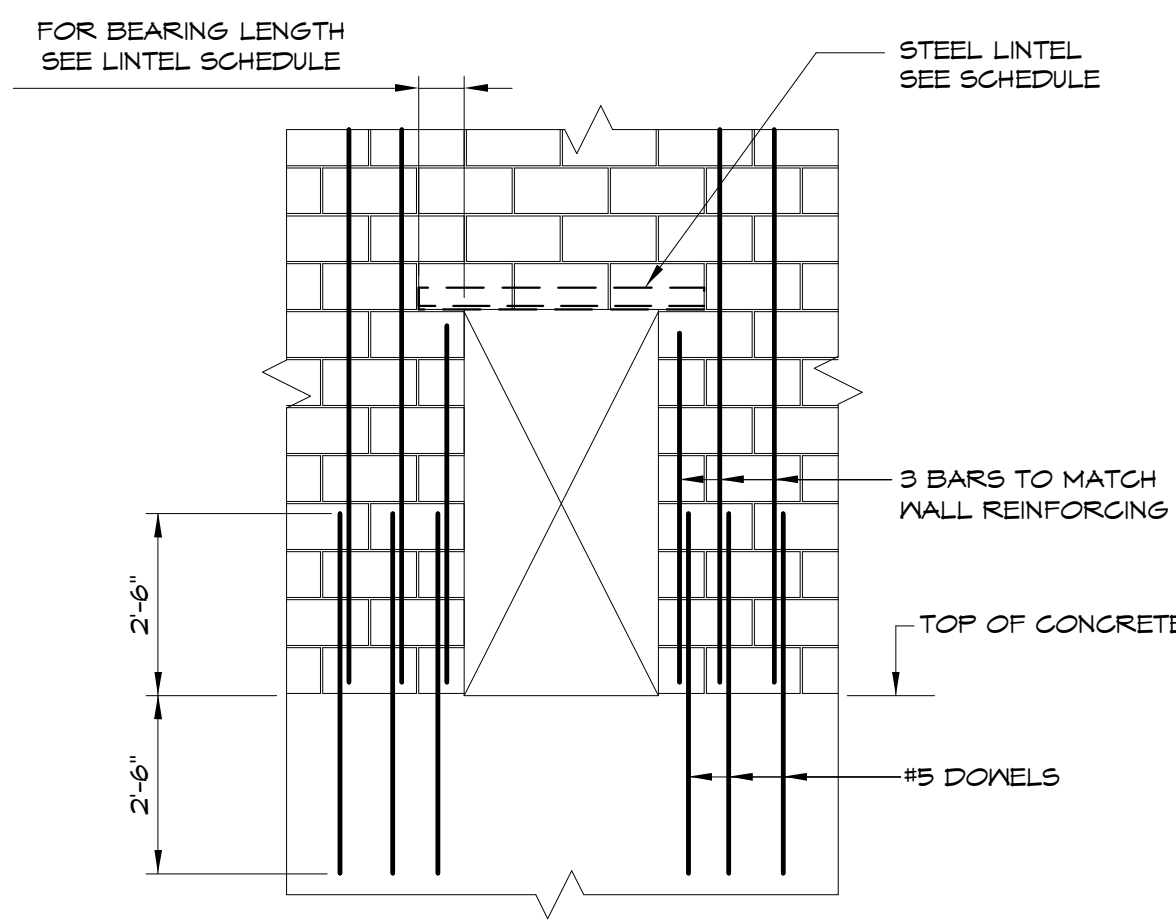
LOOSE LINTEL SCHEDULE

OPENING	LINTEL	BEARING EACH END	REMARKS
3'-6" OR LESS	L3 1/2x3 1/2x 1/4	4"	---
OVER 3'-6" THRU 5'-6"	L4x3 1/2x 1/4	6"	LLV
OVER 5'-6" THRU 7'-6"	L6x3 1/2x 3/16	6"	LLV
OVER 7'-6" THRU 9'-0"	L6x3 1/2x 3/8	6"	LLV

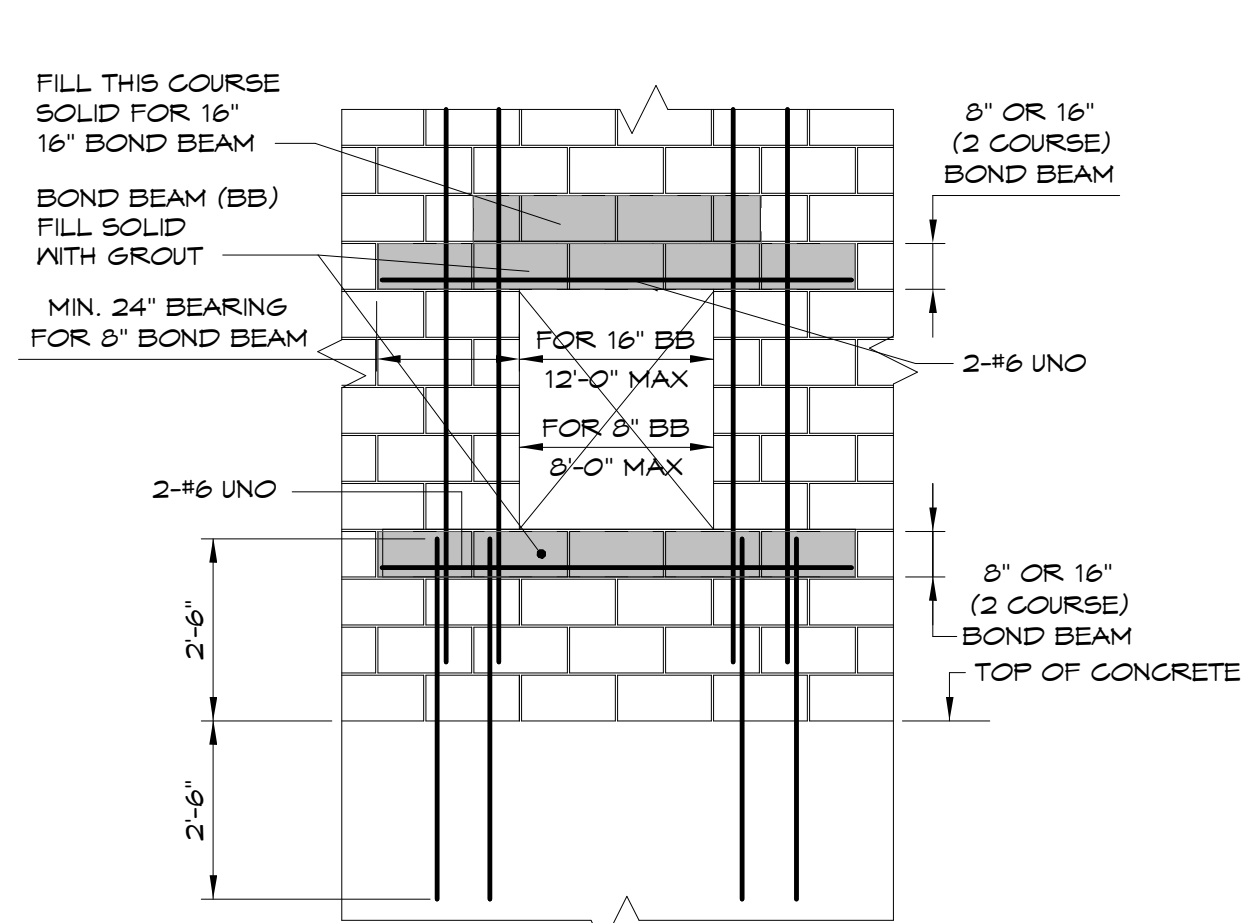
- NOTES:**
- WHERE ANGLE LINTELS ARE REQUIRED, PROVIDE ONE ANGLE FOR EACH 4" OR LESS THICKNESS OF MASONRY.
 - FOR OPENINGS OVER 6'-0", PROVIDE SOLID MASONRY JAMB UNDER LINTEL AT EACH SIDE OF OPENING.
 - LINTELS INDICATED ON PLAN SUPERSEDE THE REQUIREMENTS OF THIS SCHEDULE.
 - ALL EXTERIOR LINTELS SHALL BE GALVANIZED.
 - ALL OTHER LINTELS SHALL BE PRIME PAINTED.



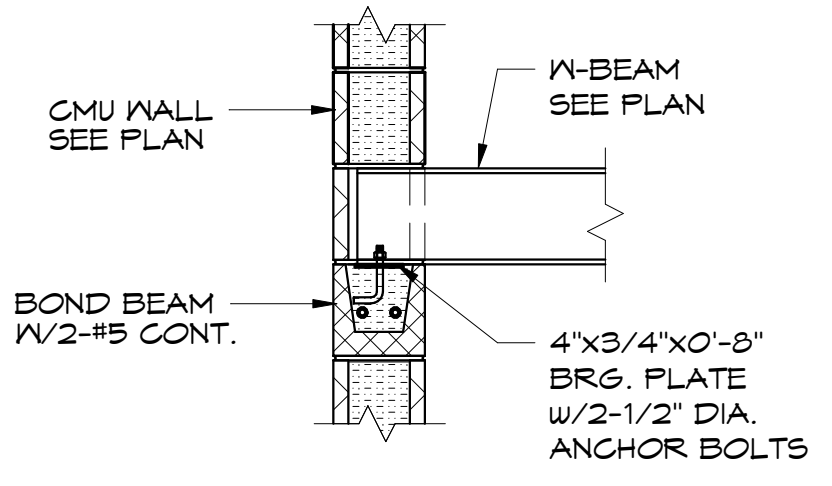
OPENING IN CMU WALL WITH BOND BEAM



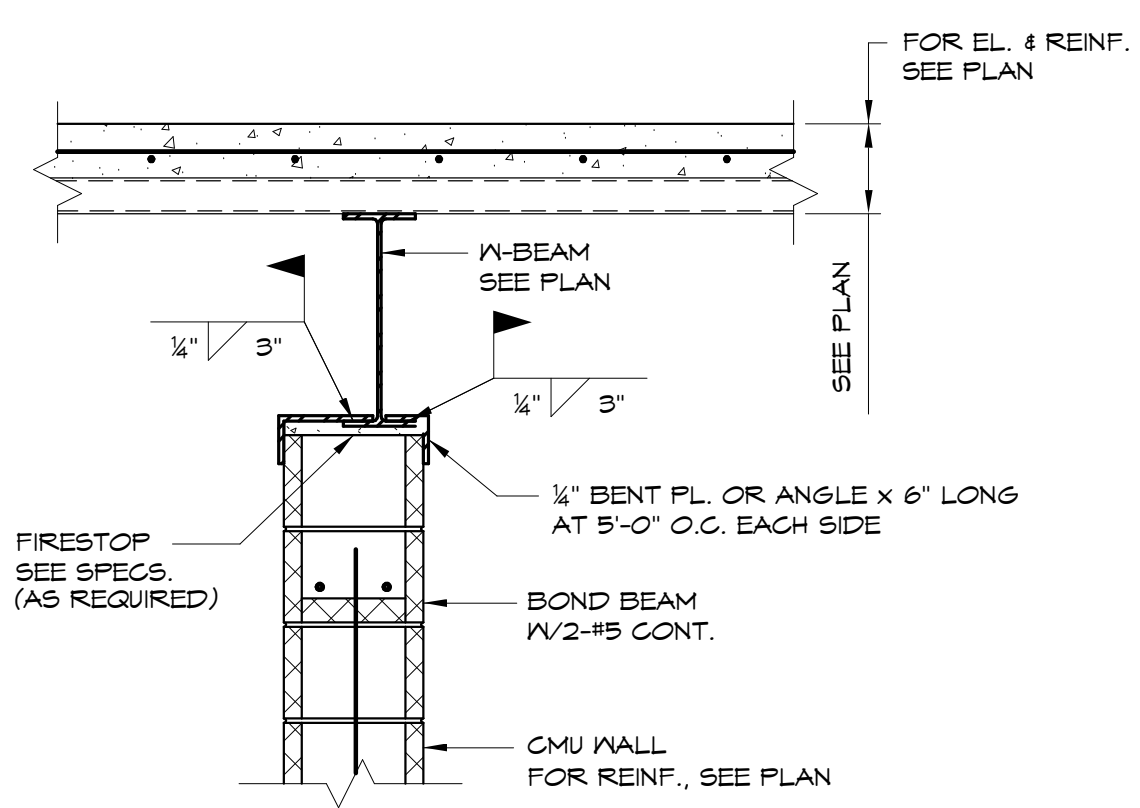
OPENING IN CMU WALL w/ STEEL LINTEL



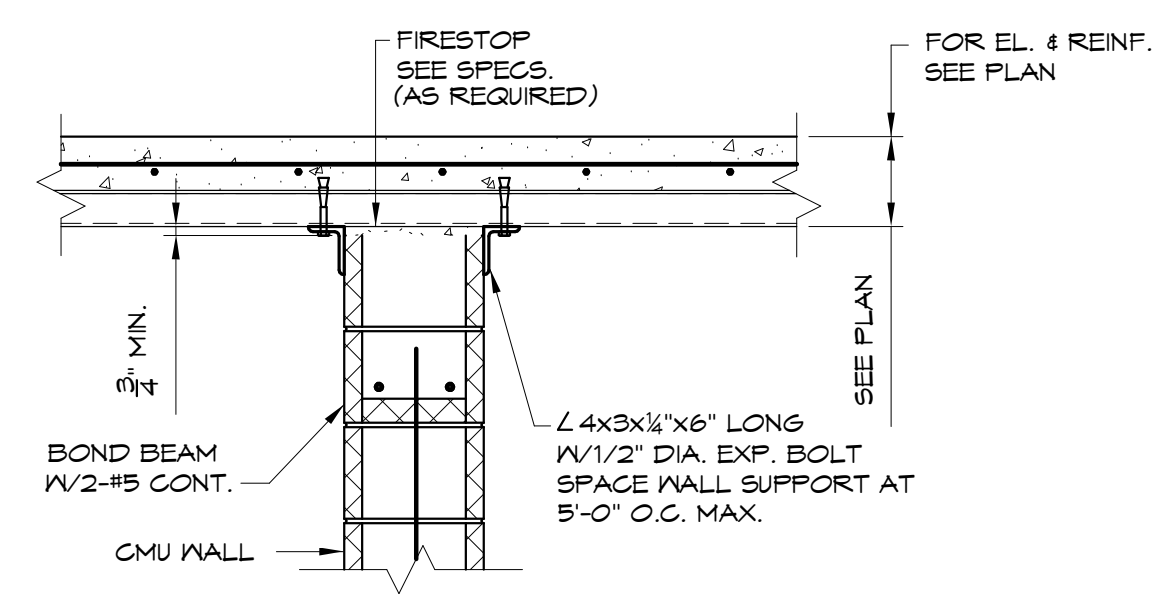
OPENING IN CMU WALL WITH BOND BEAM



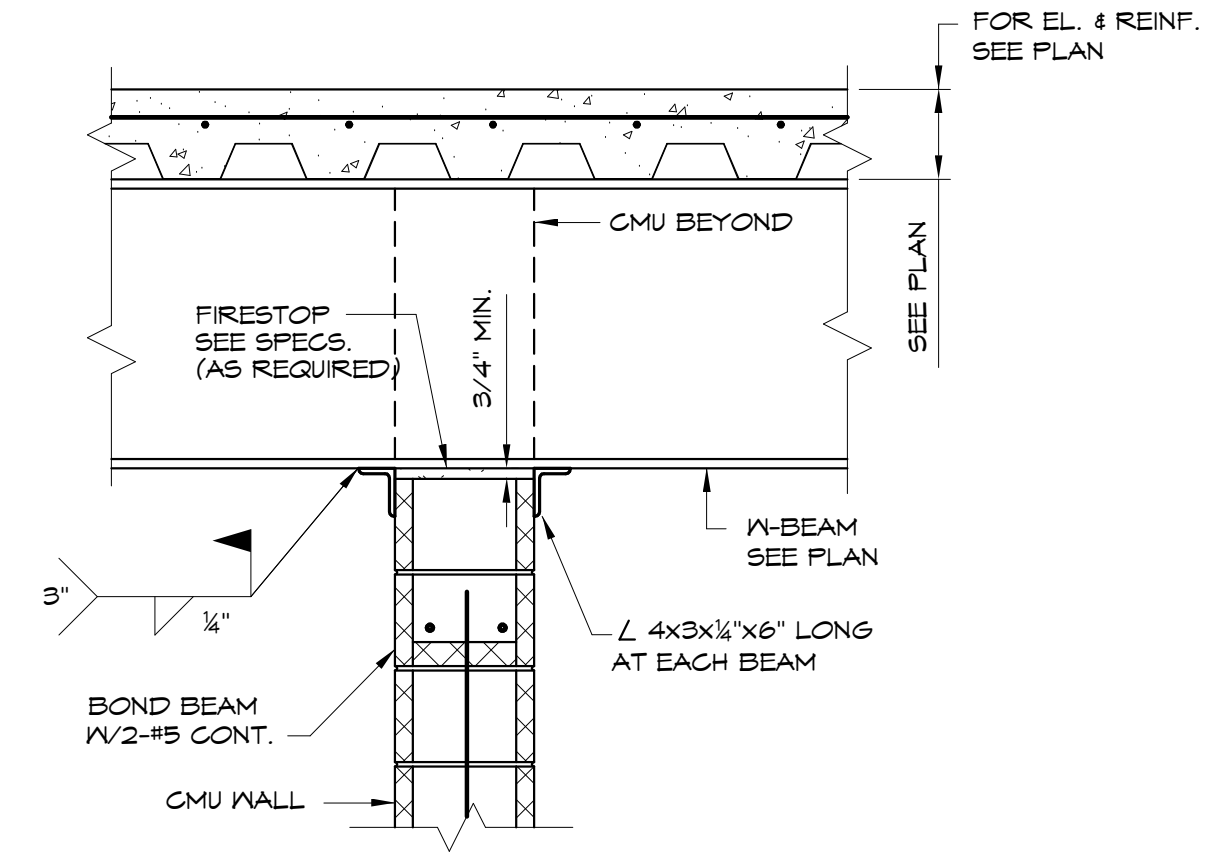
CMU BEAM BEARING DETAIL



TOP OF CMU WALL LATERAL SUPPORT DETAIL



TOP OF CMU WALL LATERAL SUPPORT DETAIL



TOP OF CMU WALL SUPPORT DETAIL

TYPICAL LOW LIFT GROUTING DETAIL

STATE OF MAINE
RIMANTAS M. VEITAS
No. 9477
LICENSED PROFESSIONAL ENGINEER

Prepared For: **EssexNorth Portland LLC**
P.O. Box 394
Topsfield, MA 01983

Consultant: **VEITAS VEITAS architects engineers**
680 Cornish Street, Suite 101
Braintree, Massachusetts 02184
TEL 781.843.2863 FAX 781.849.2055

Architect: **ARCHITECTURE**
48 Union Wharf Portland, Maine 04101
(207) 772-6022 Fax (207) 772-4056

Project: **THAMES STREET CONDOMINIUM**
20 Thames Street, Portland Maine

Revisions:
1 06/30/17 Steel Bid - Addendum #1
2 07/21/17 BID SET

Date: **JULY 2017**
Scale: **As indicated**

TYPICAL DETAILS

S2.04