

Owner

Prepared  
Consulting Engineer:  
**VEITAS VEITAS**  
engineers

Architect:  
**ARCHETYPE**  
architects  
48 Union Wharf Portland, Maine  
(207) 772-6022 ARCHETYPE@ARCHETYPEPA.COM

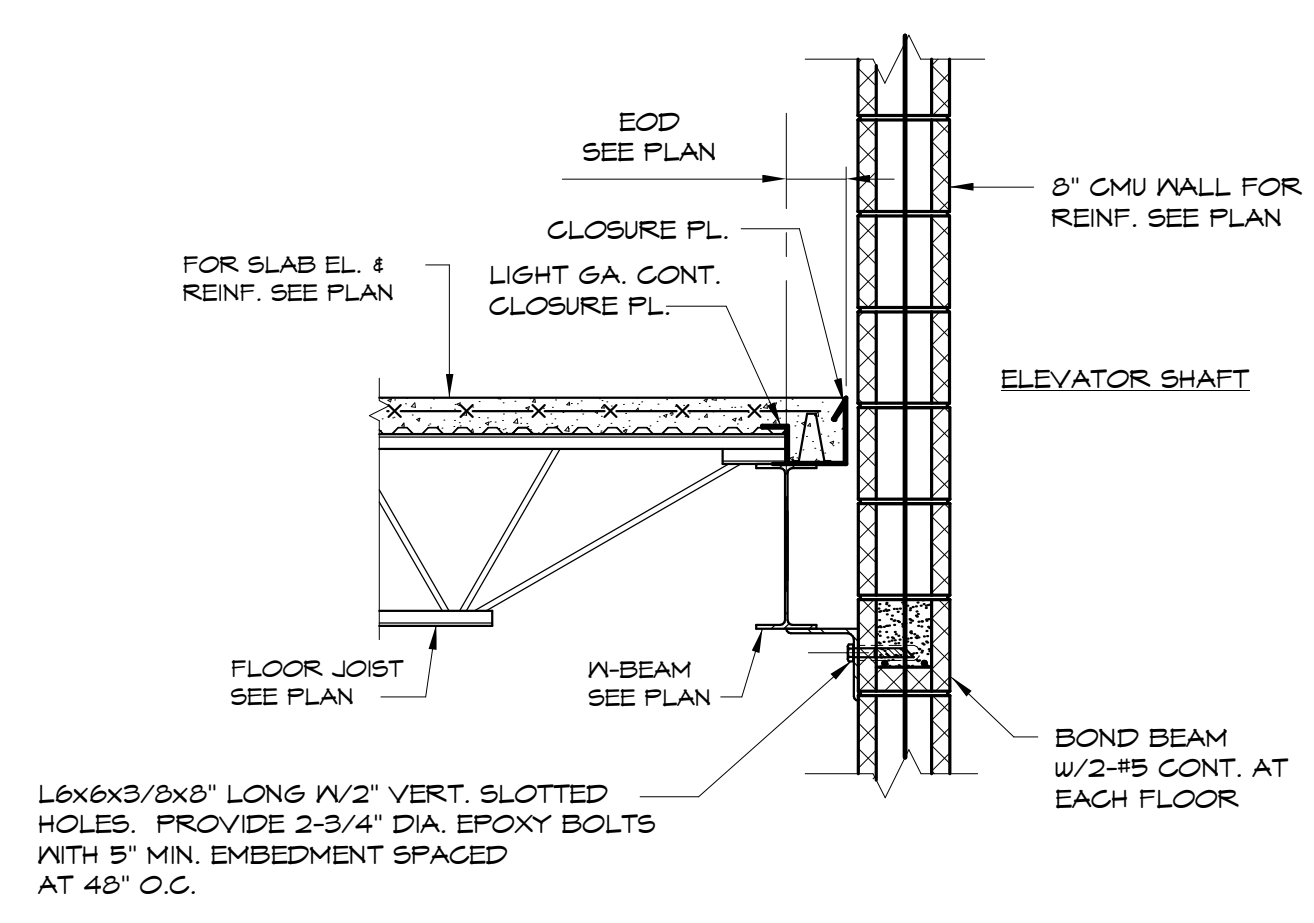
Project:  
**THAMES STREET BUILDING**  
20 Thames Street, Portland Maine

Revisions  
FOUNDATION PERMIT  
06/22/2017

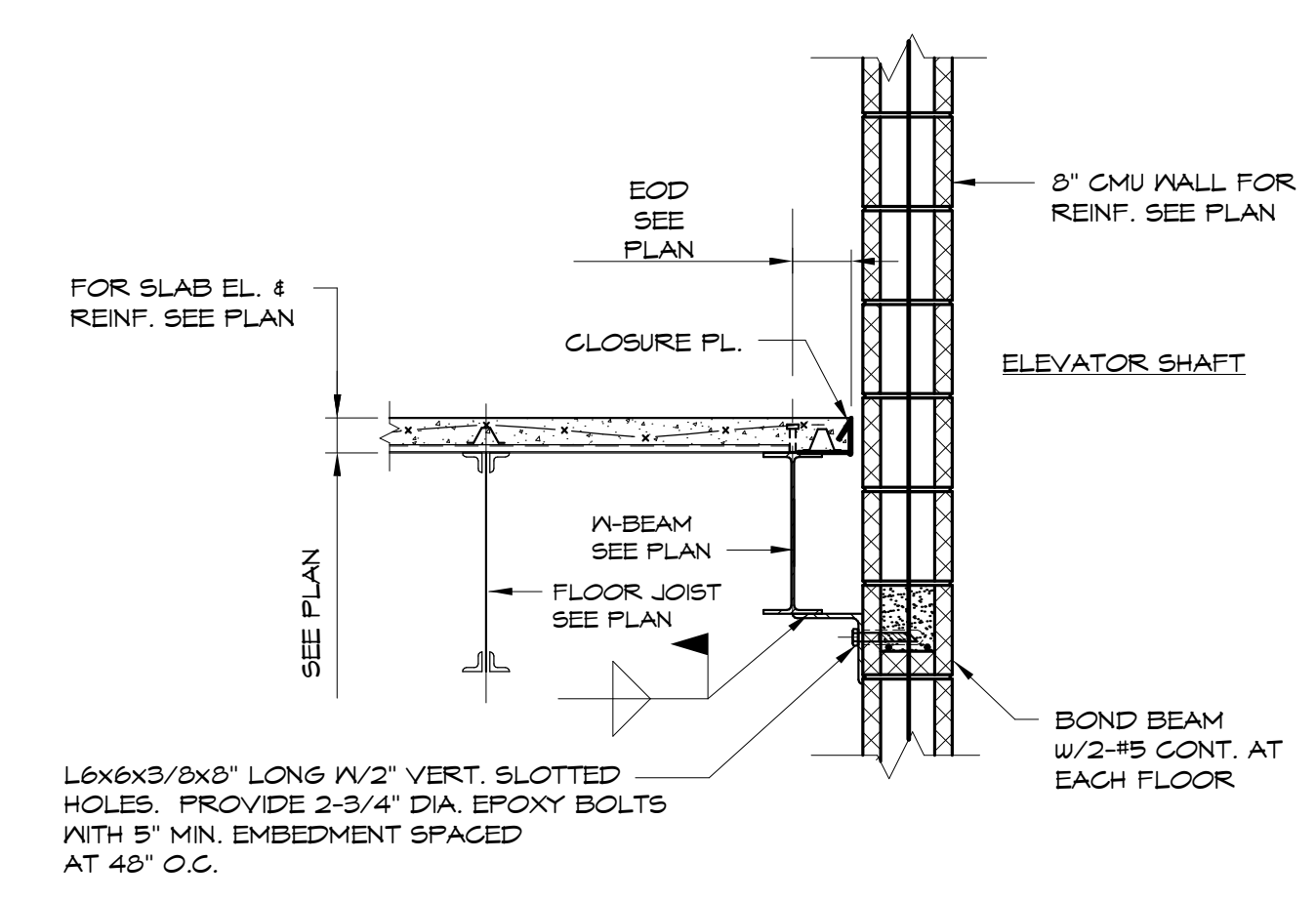
Scale: As indicated  
**SECTIONS**

Date: 04/19/2017

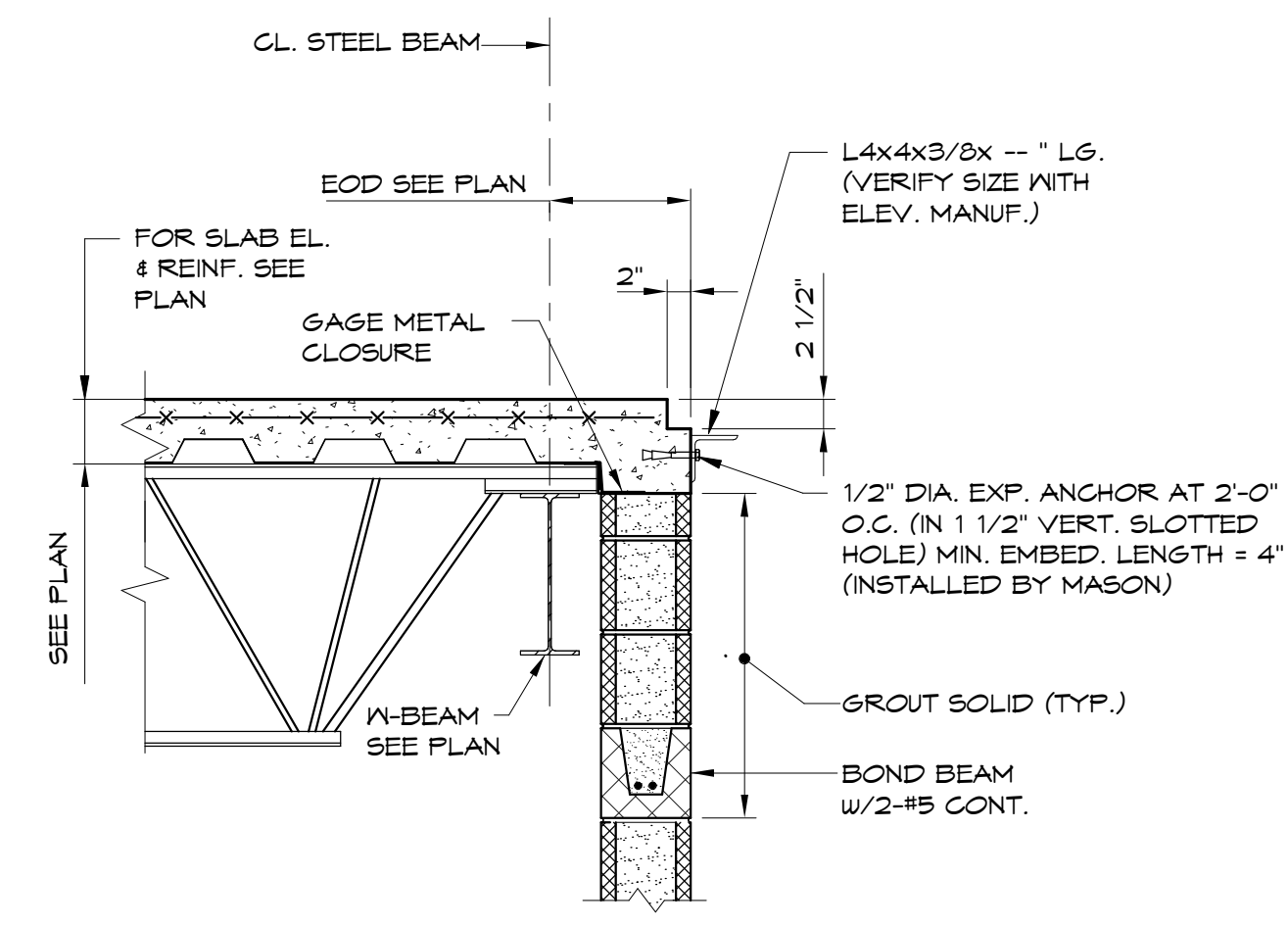
**S5.01**



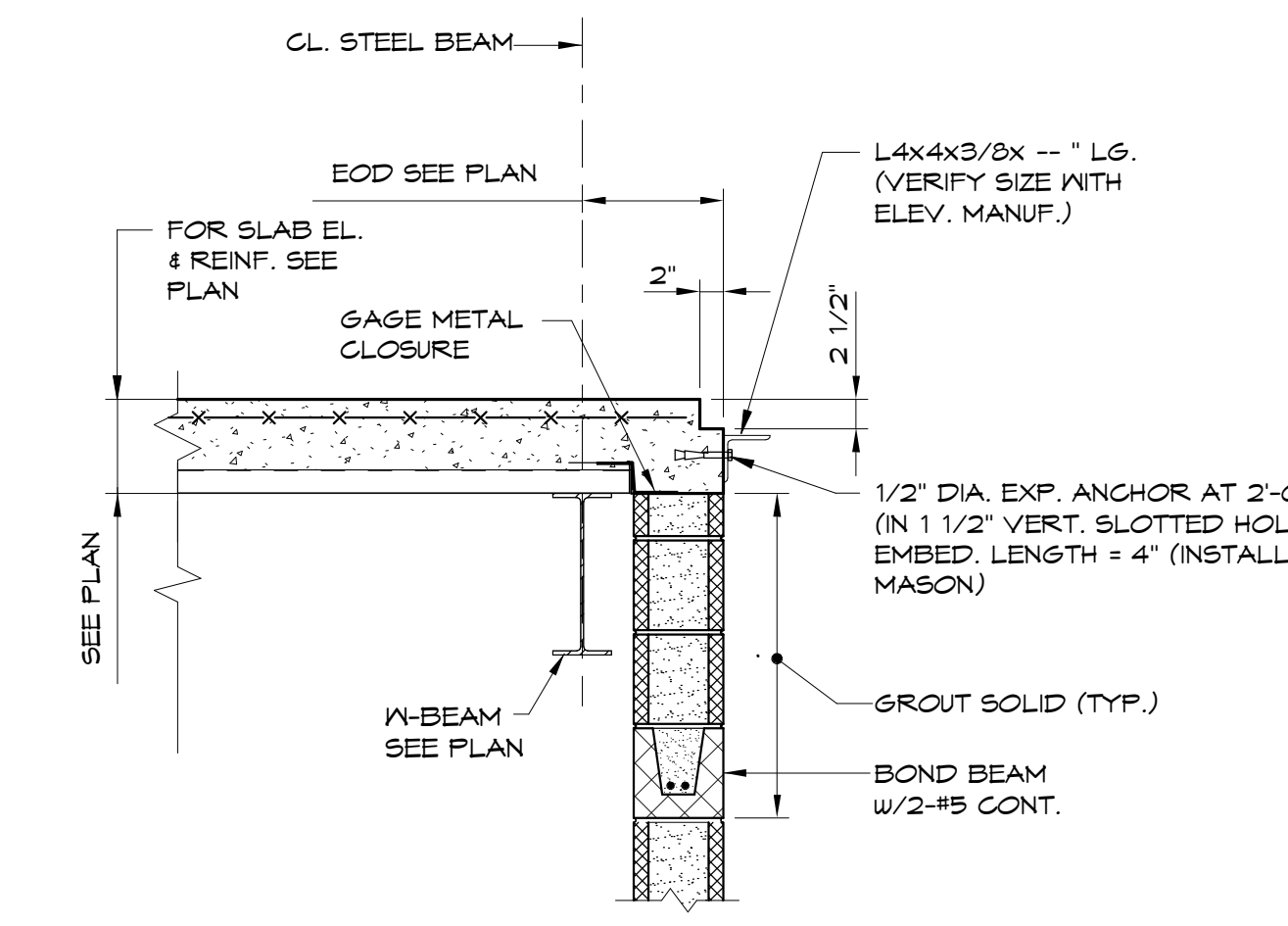
SECTION 1  
S5.01 3/4" = 1'-0"



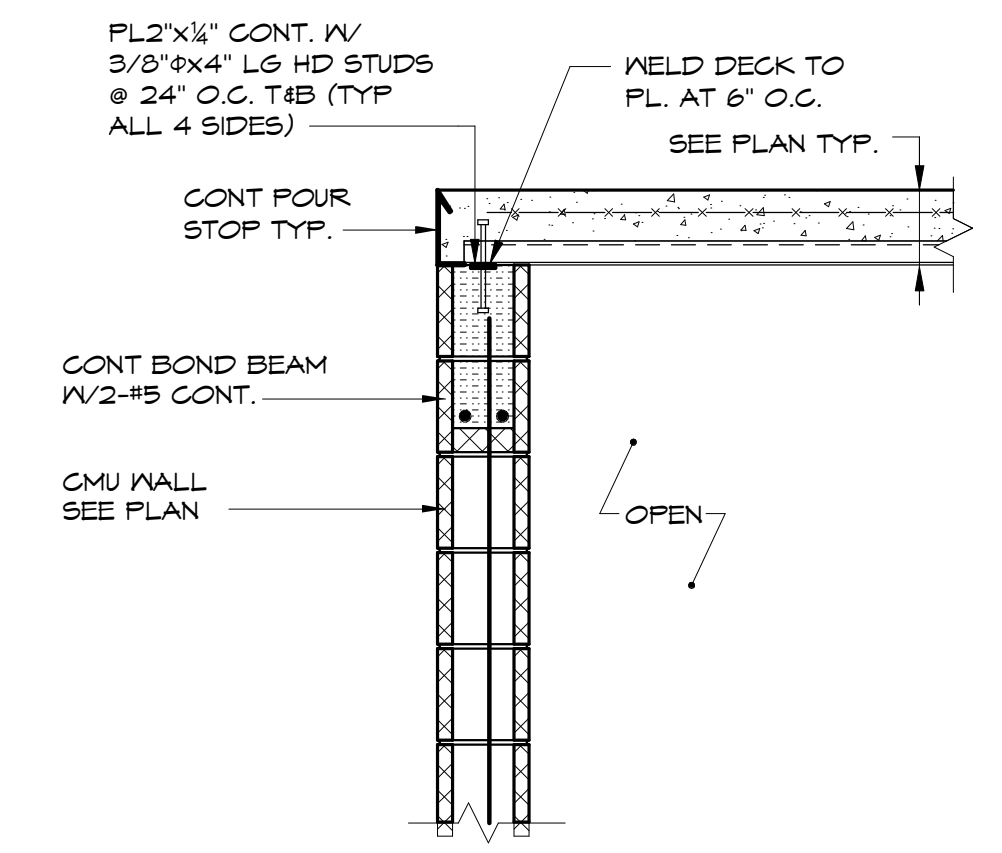
SECTION 2  
S5.01 3/4" = 1'-0"



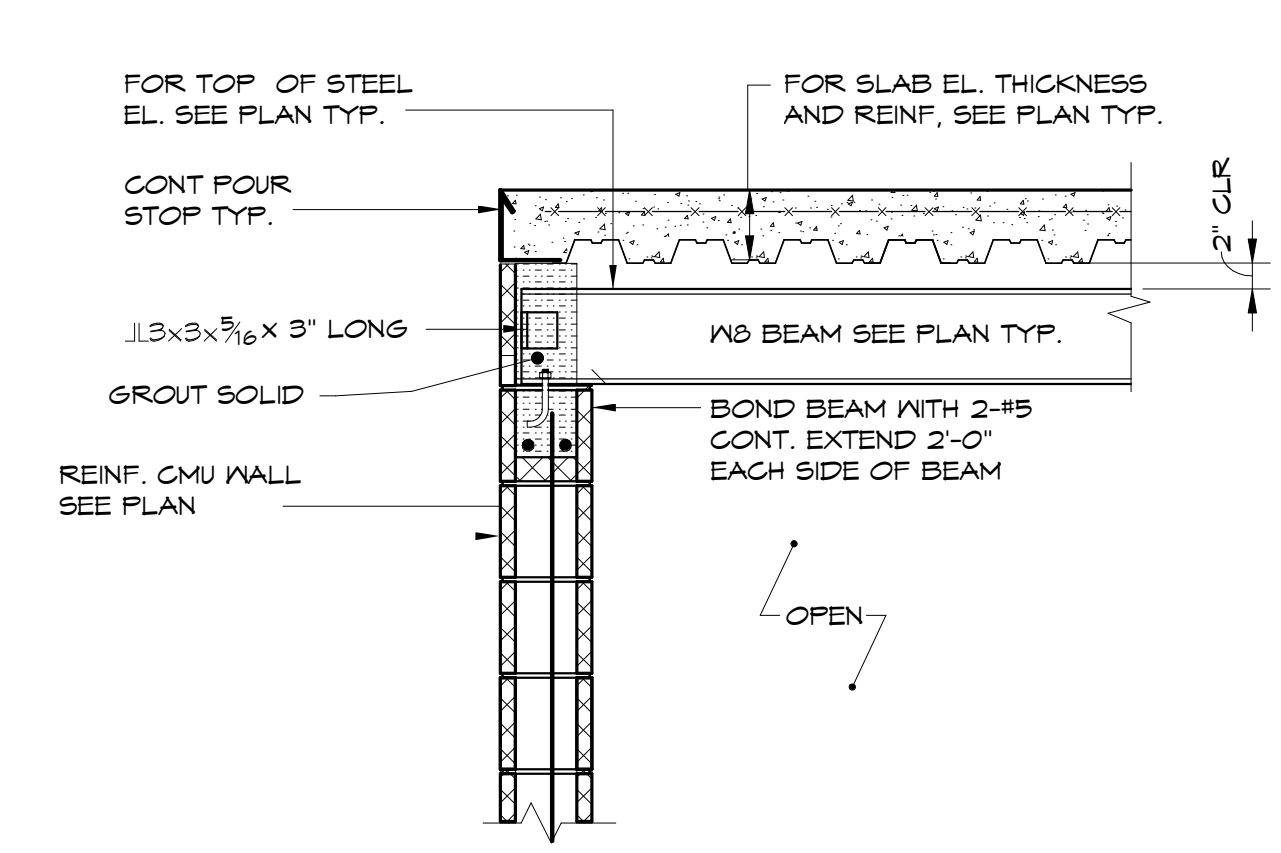
SECTION AT ELEVATOR SILL  
SECTION 3  
S5.01 3/4" = 1'-0"



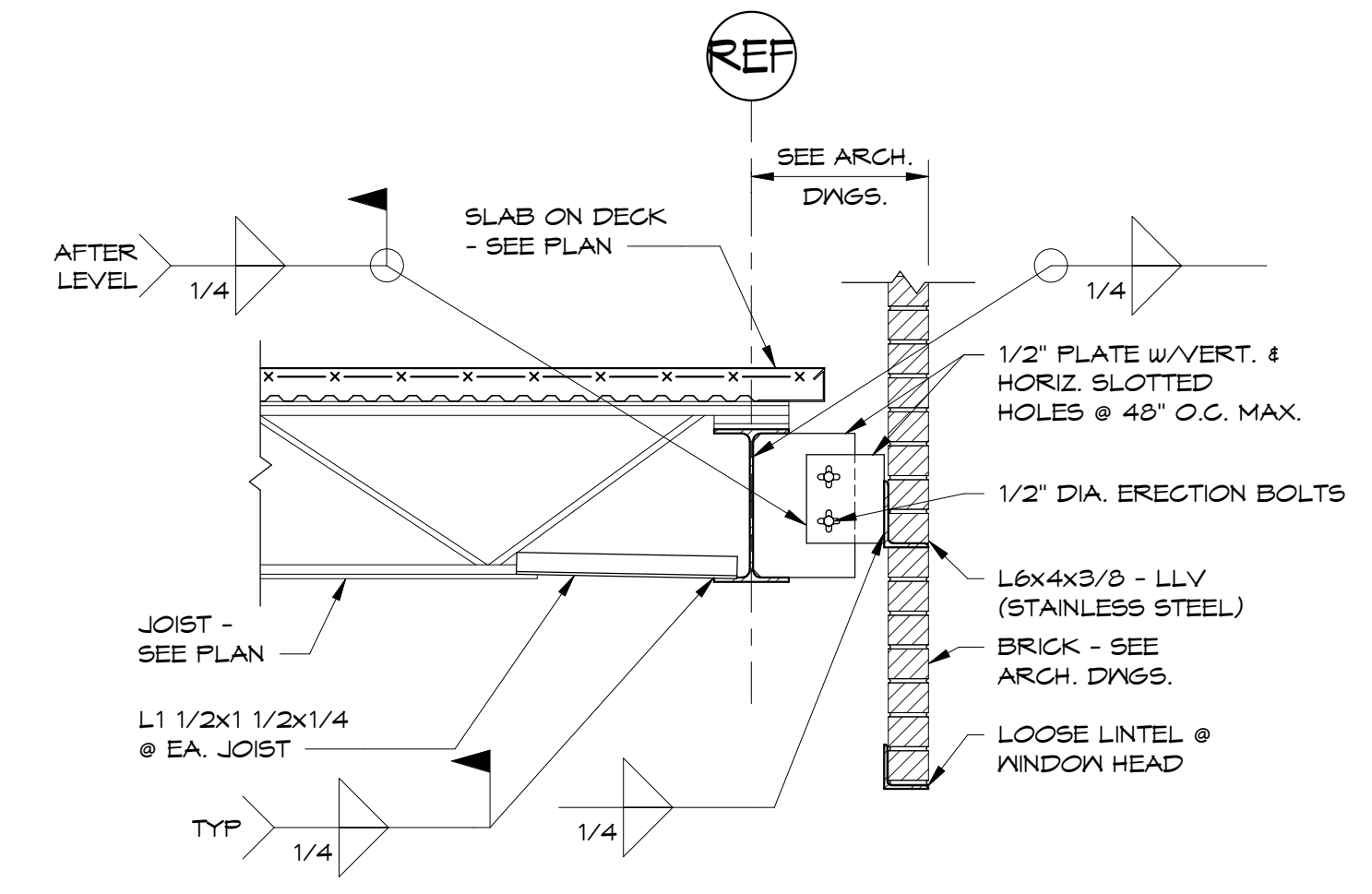
SECTION AT ELEVATOR SILL  
SECTION 4  
S5.01 3/4" = 1'-0"



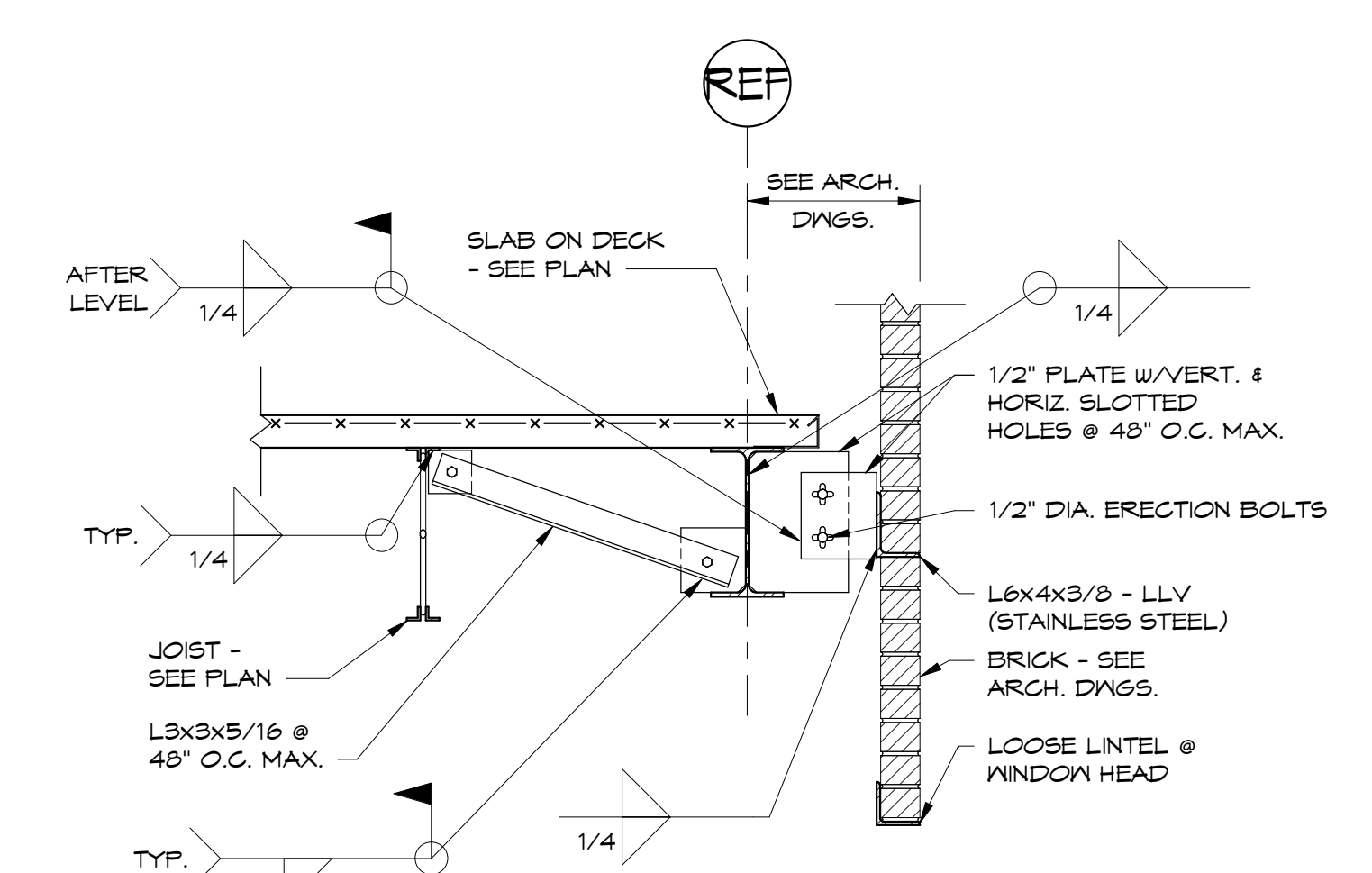
SECTION 5  
S5.01 3/4" = 1'-0"



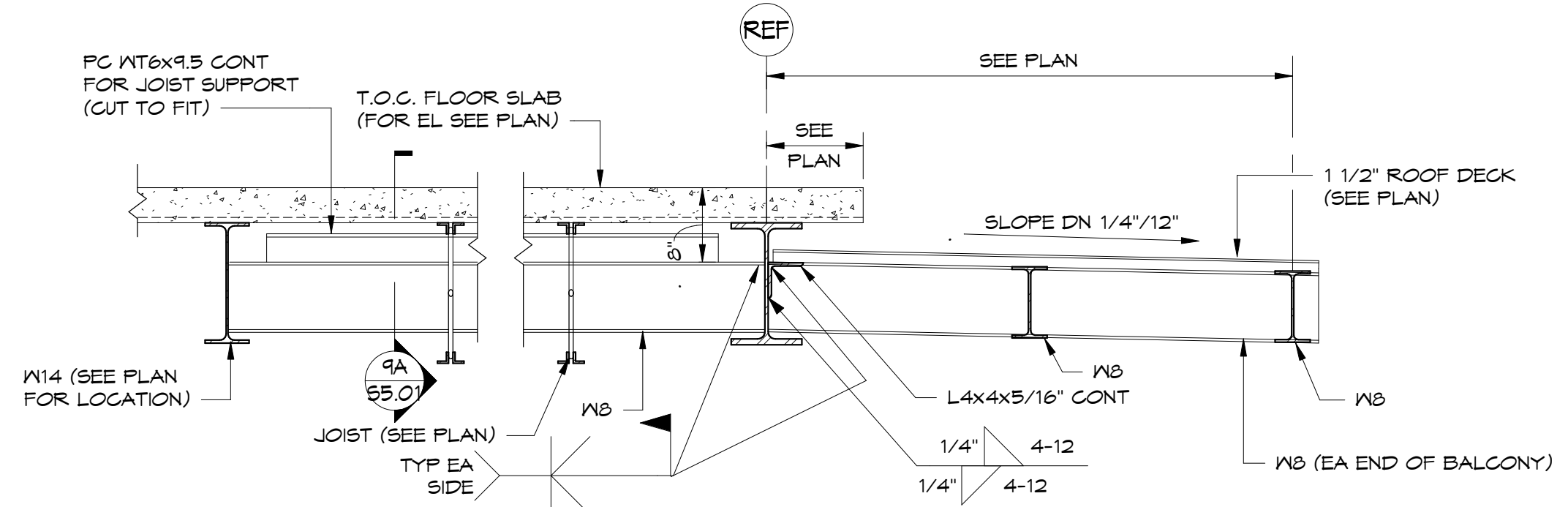
SECTION 6  
S5.01 3/4" = 1'-0"



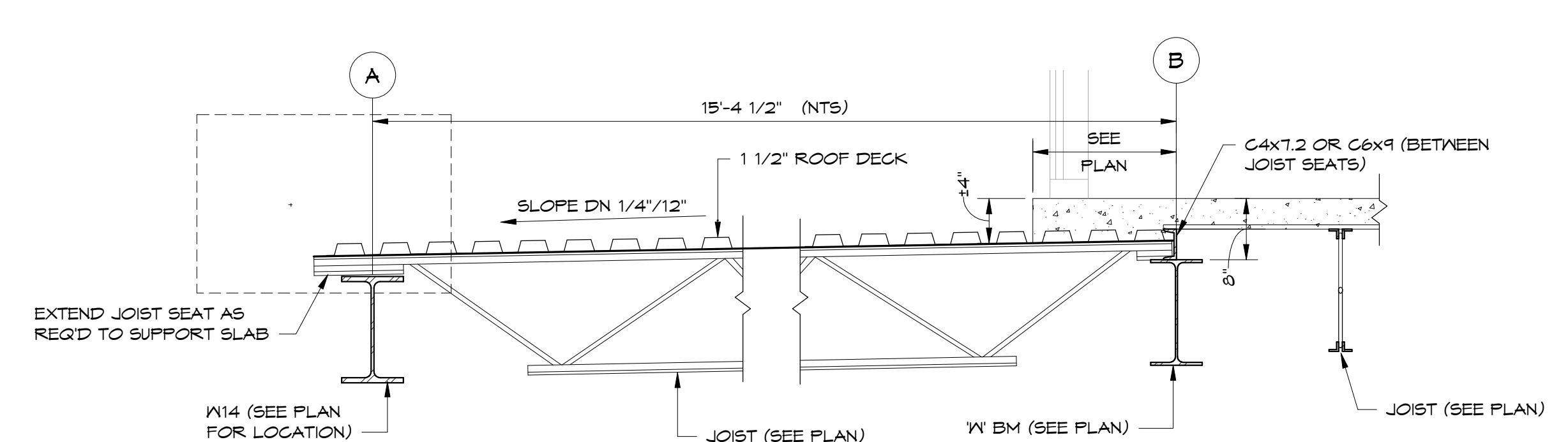
SECTION 7  
S5.01 3/4" = 1'-0"



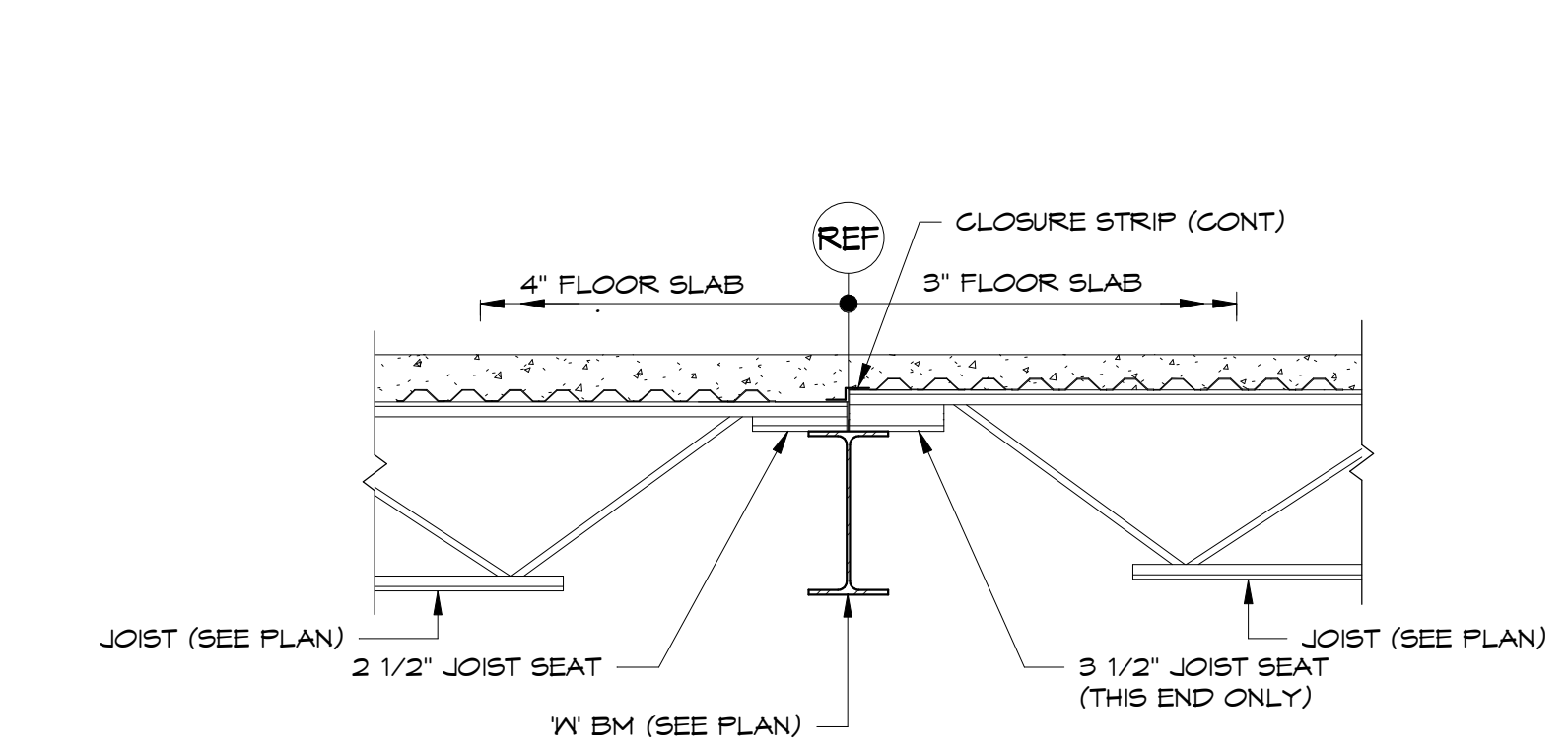
SECTION 8  
S5.01 3/4" = 1'-0"



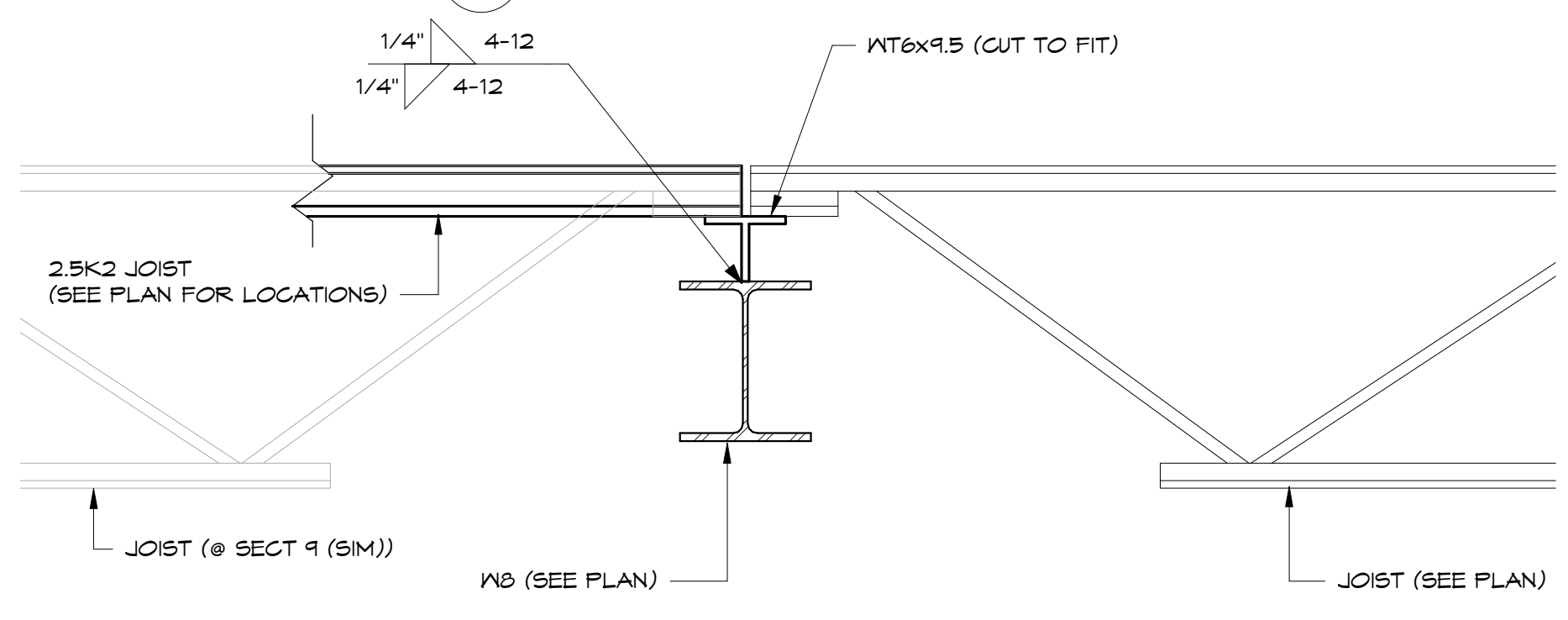
SECTION 9  
S5.01 3/4" = 1'-0"



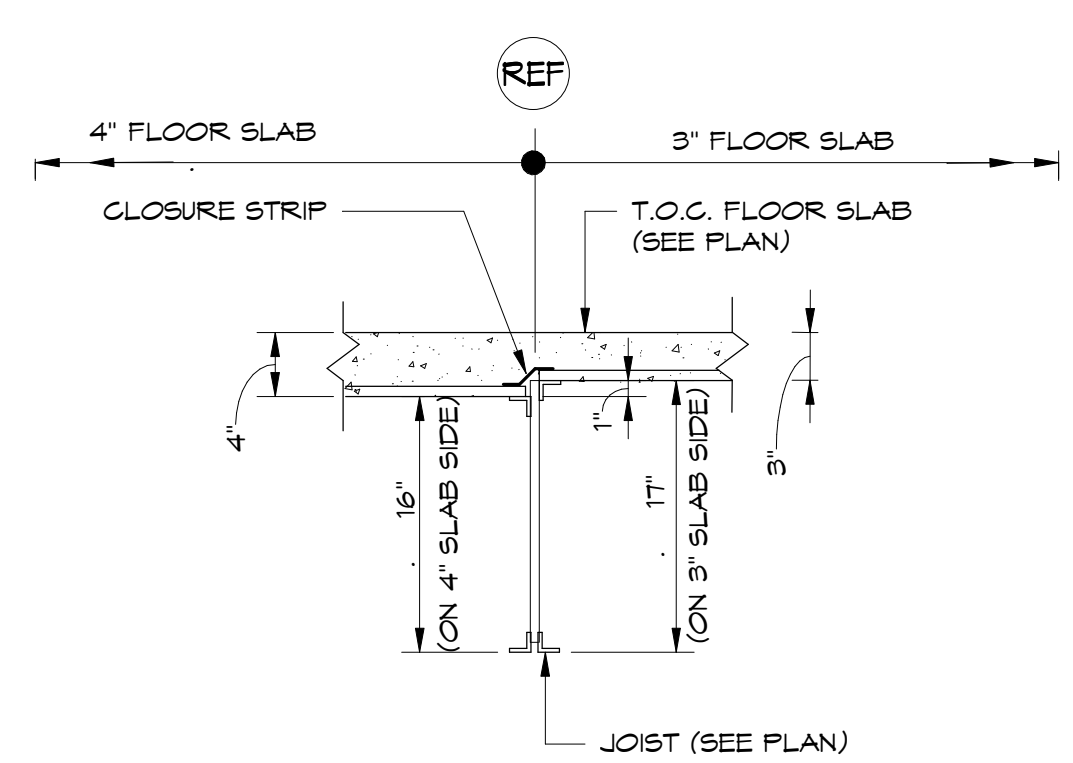
SECTION 10  
S5.01 3/4" = 1'-0"



SECTION 11  
S5.01 3/4" = 1'-0"



SECTION 9A  
S5.01 1 1/2" = 1'-0"



SECTION 12  
S5.01 1" = 1'-0"