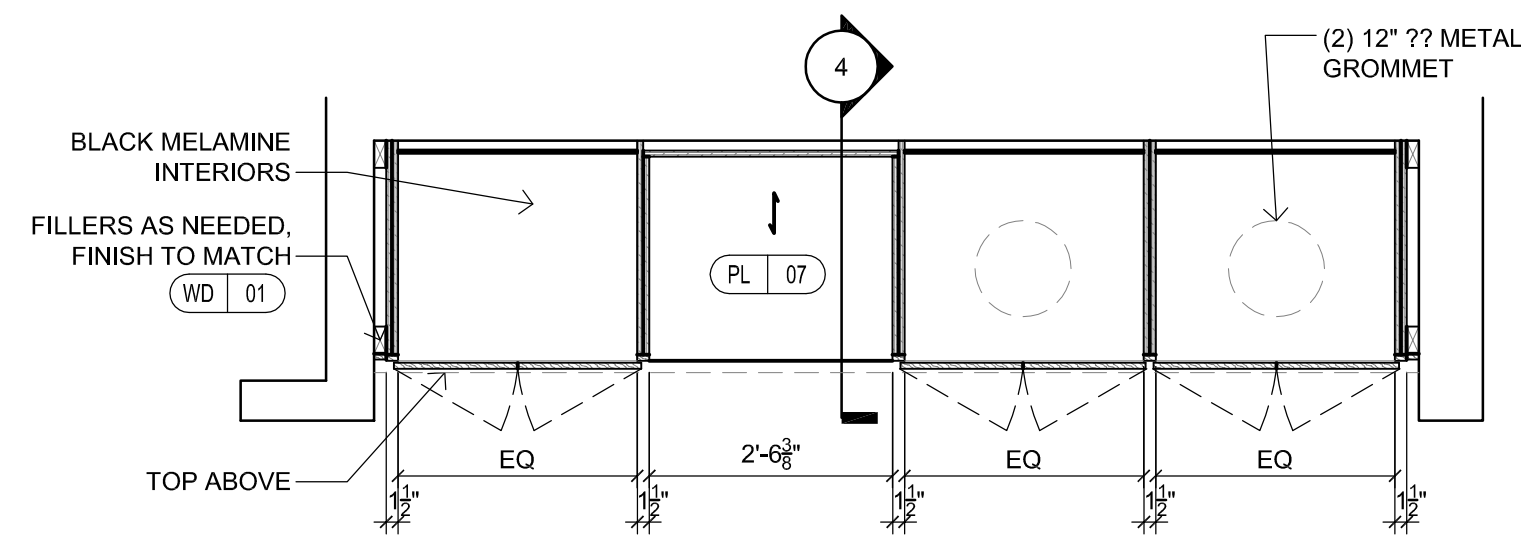
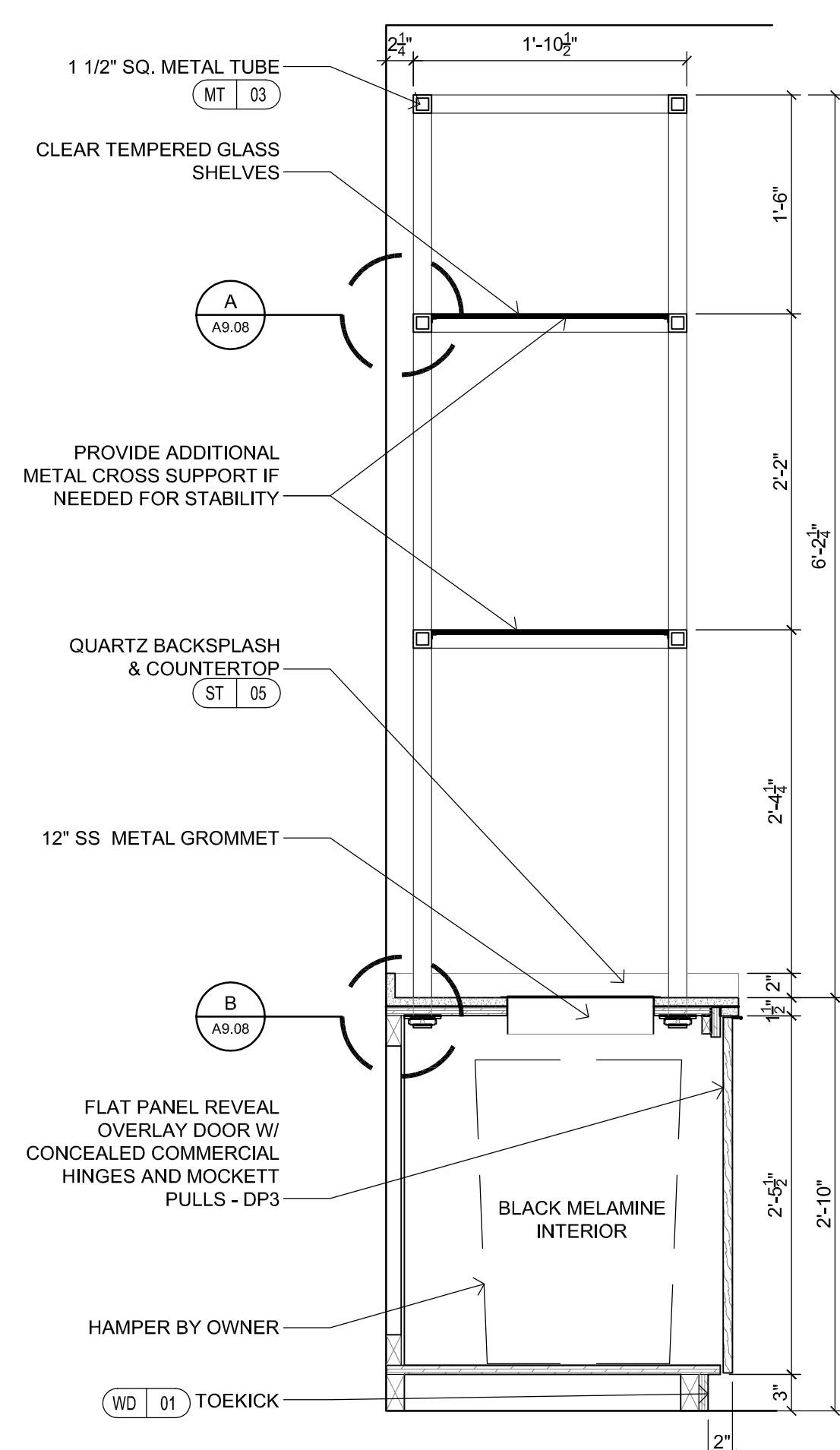


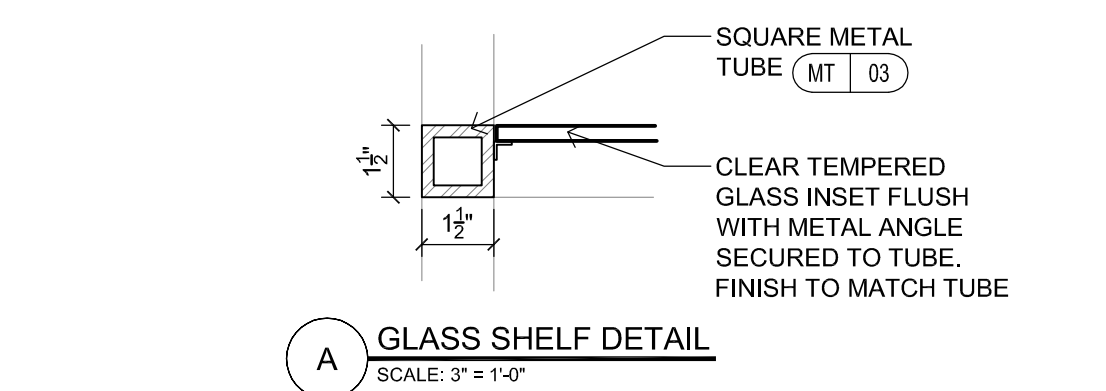
1 FITNESS CENTER AMENITY TOWER
SCALE: 1/2" = 1'-0"



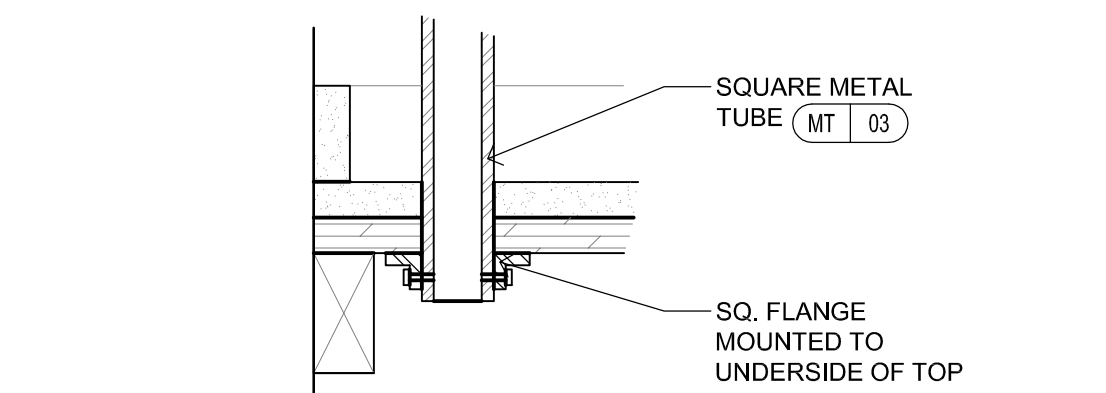
2 FITNESS CENTER AMENITY TOWER SECTION
SCALE: 1/2" = 1'-0"



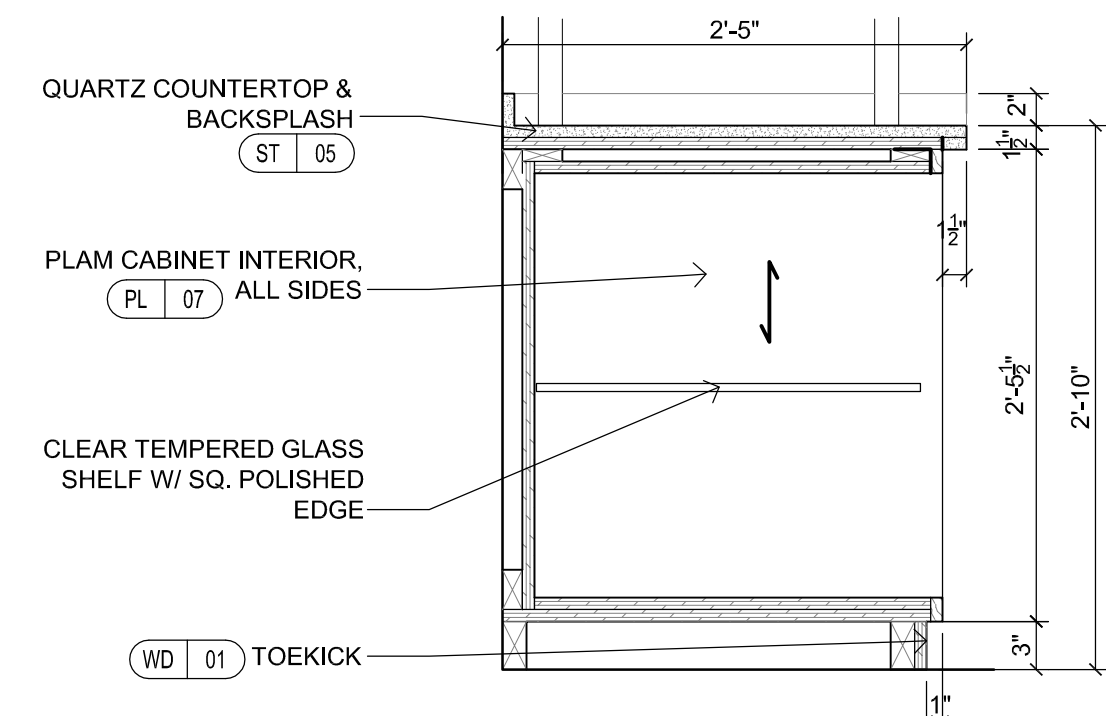
3 FITNESS CENTER AMENITY TOWER SECTION
SCALE: 1" = 1'-0"



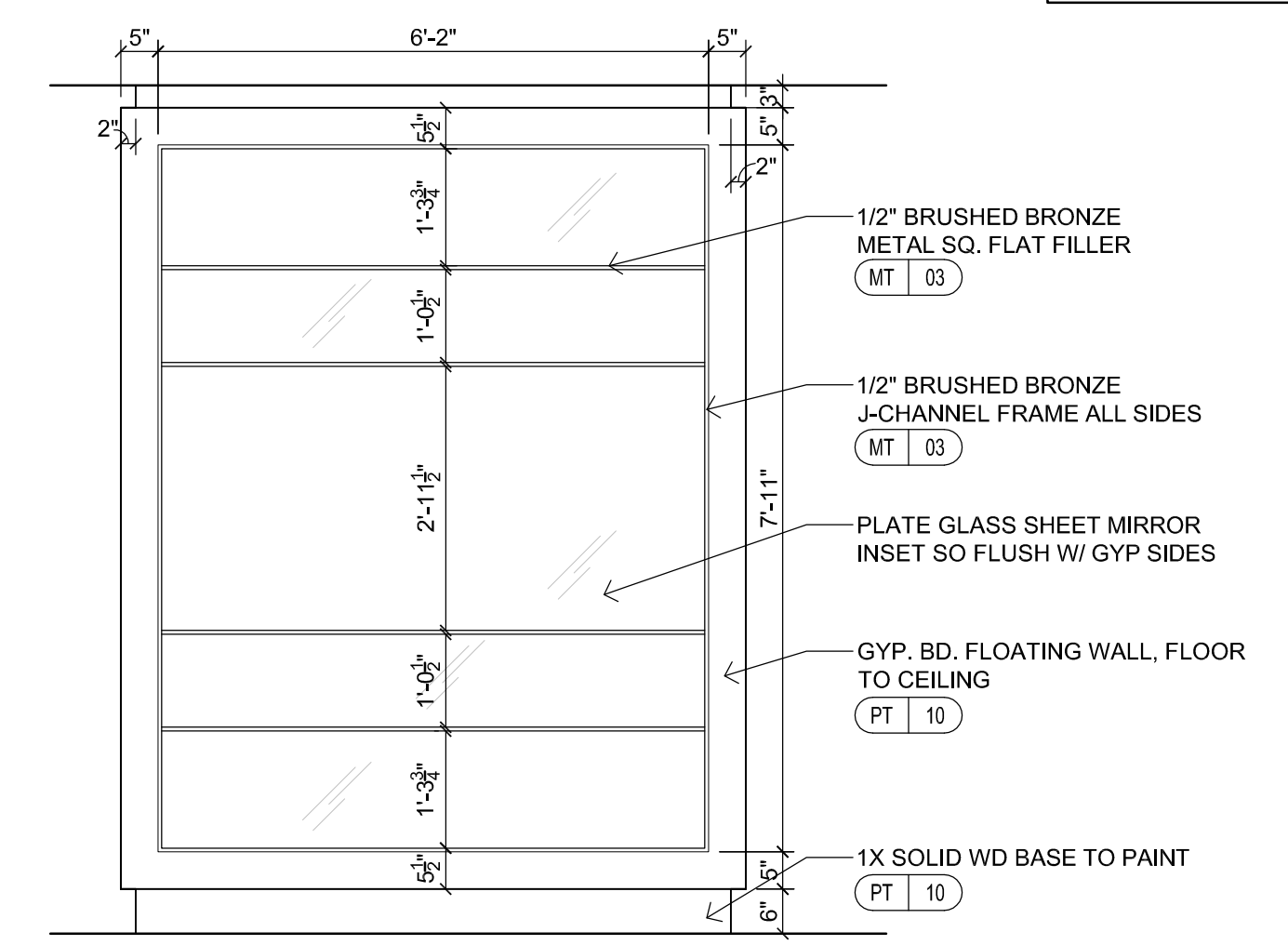
A GLASS SHELF DETAIL
SCALE: 3" = 1'-0"



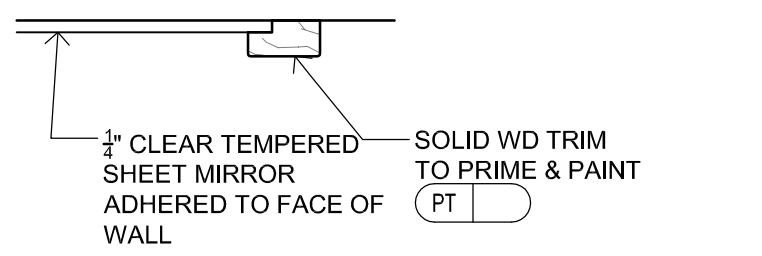
B SHELF MOUNTING DETAIL
SCALE: 3" = 1'-0"



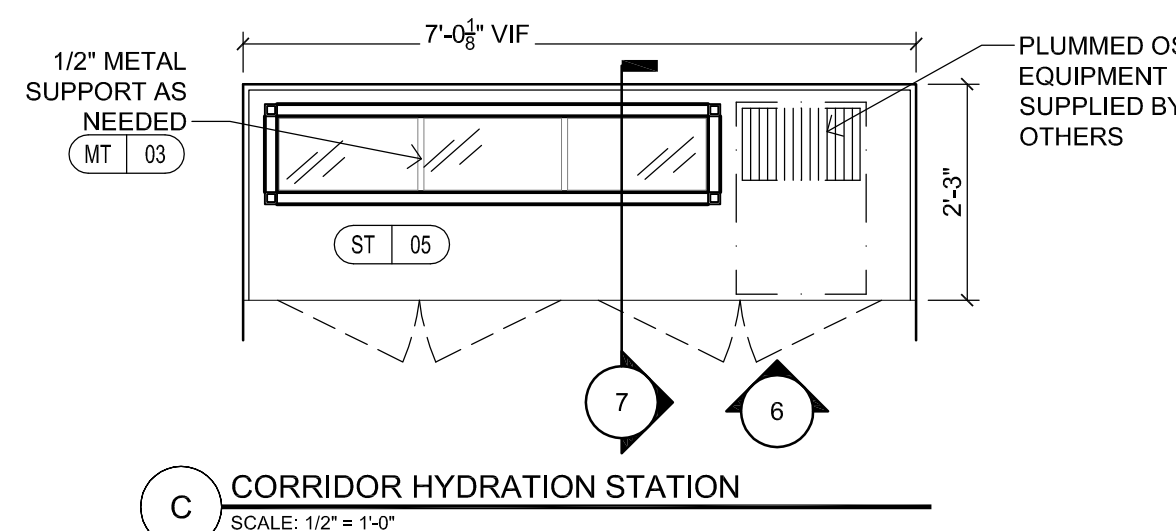
4 FITNESS CENTER AMENITY TOWER SECTION
SCALE: 1" = 1'-0"



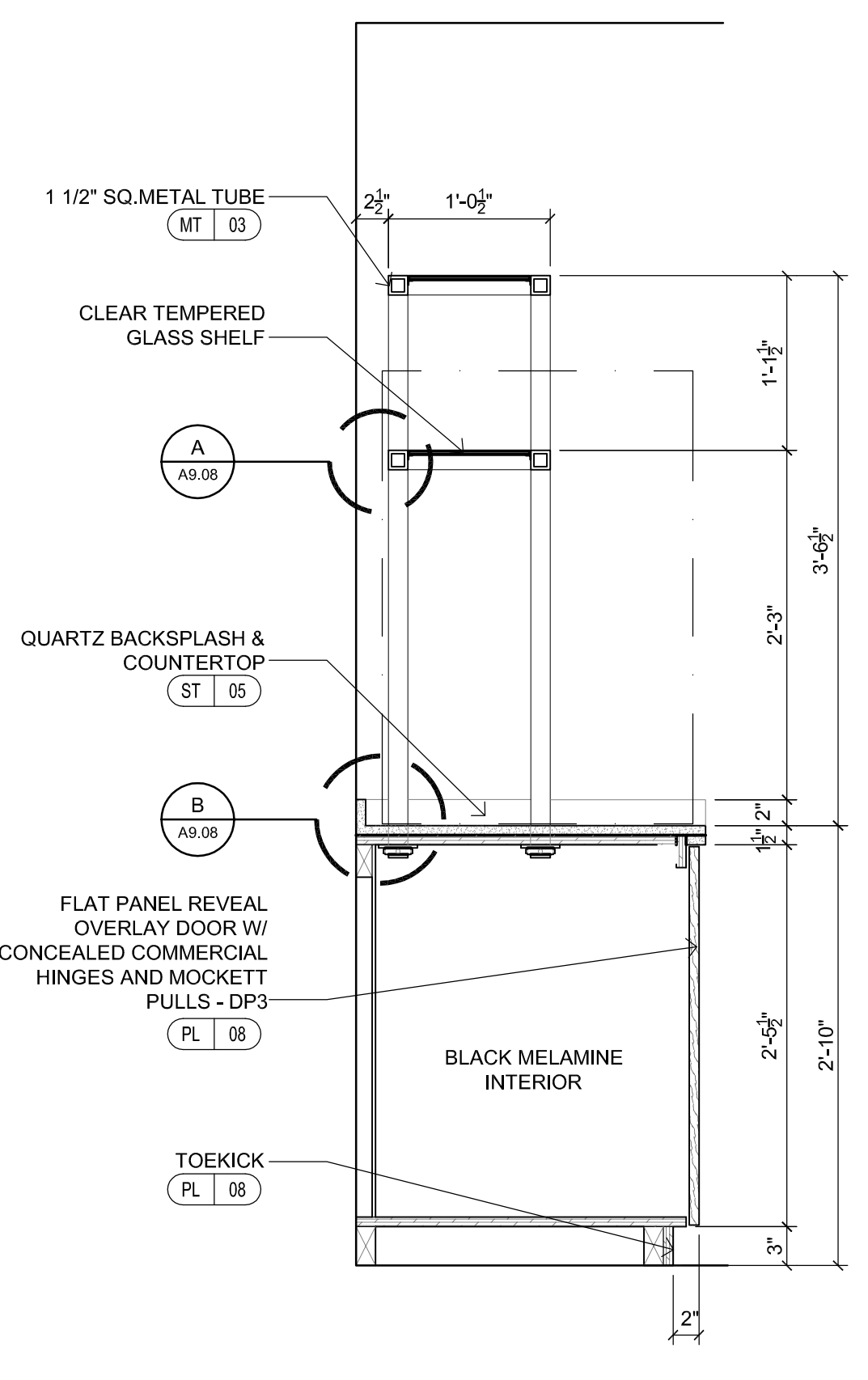
5 FITNESS CENTER MIRROR WALL
SCALE: 1/2" = 1'-0"



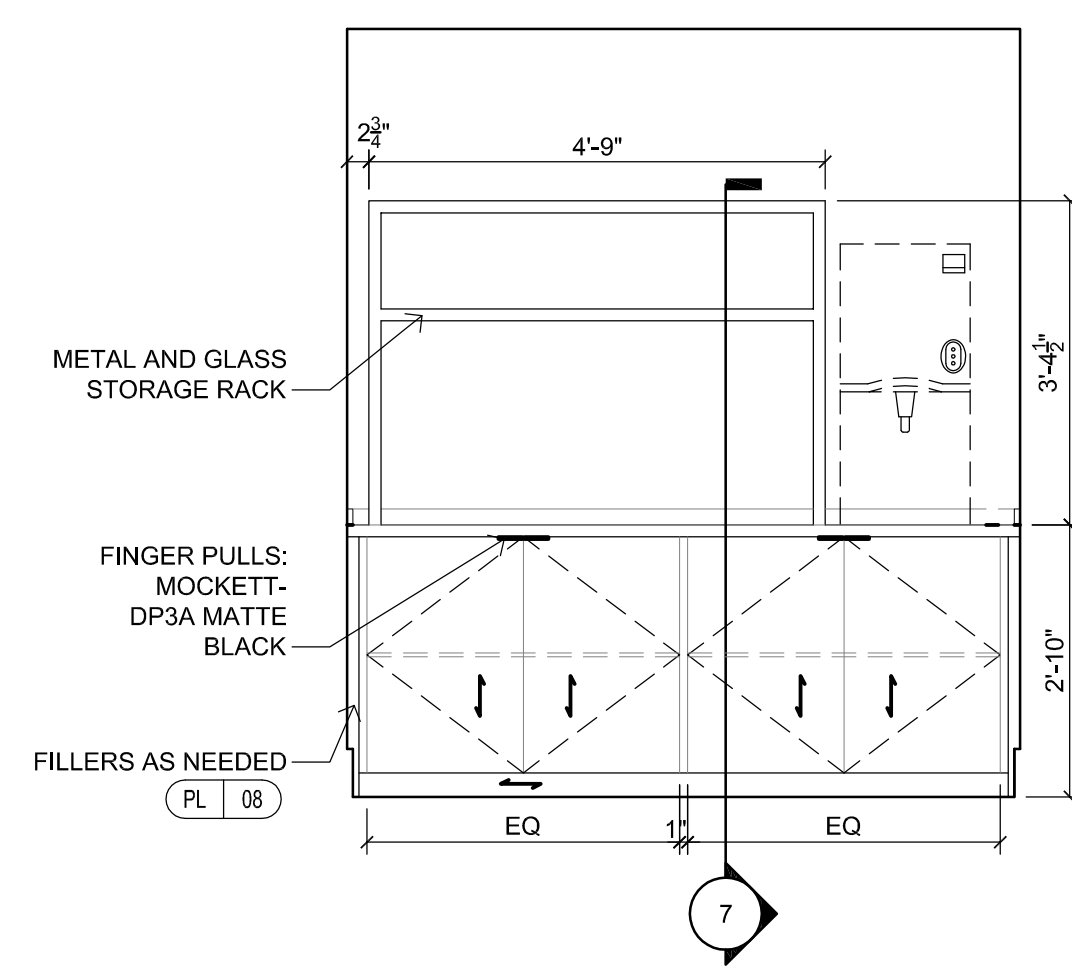
11 WALL MIRROR FRAME DETAIL
SCALE: 3" = 1'-0"



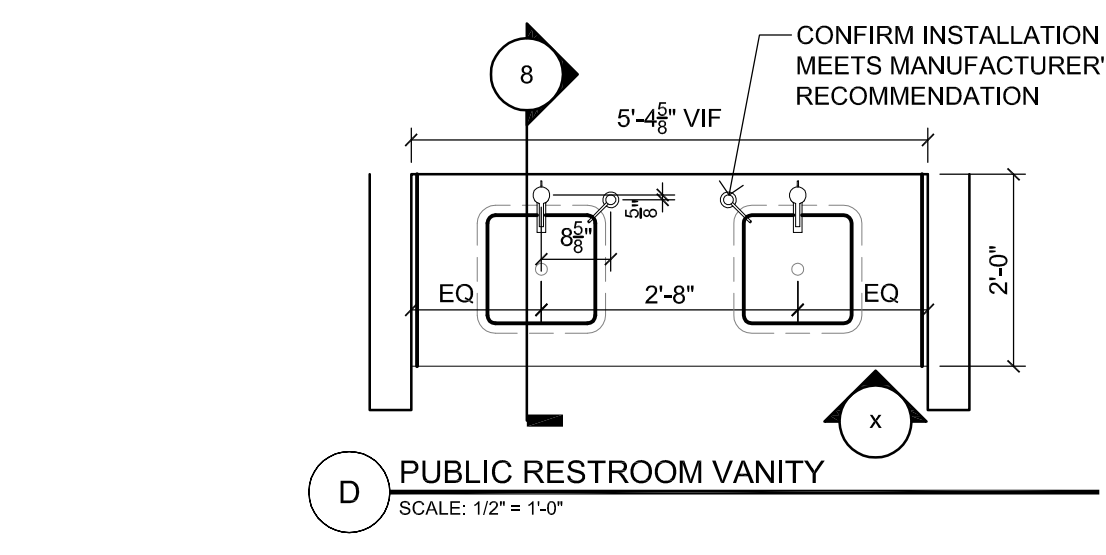
C CORRIDOR HYDRATION STATION
SCALE: 1/2" = 1'-0"



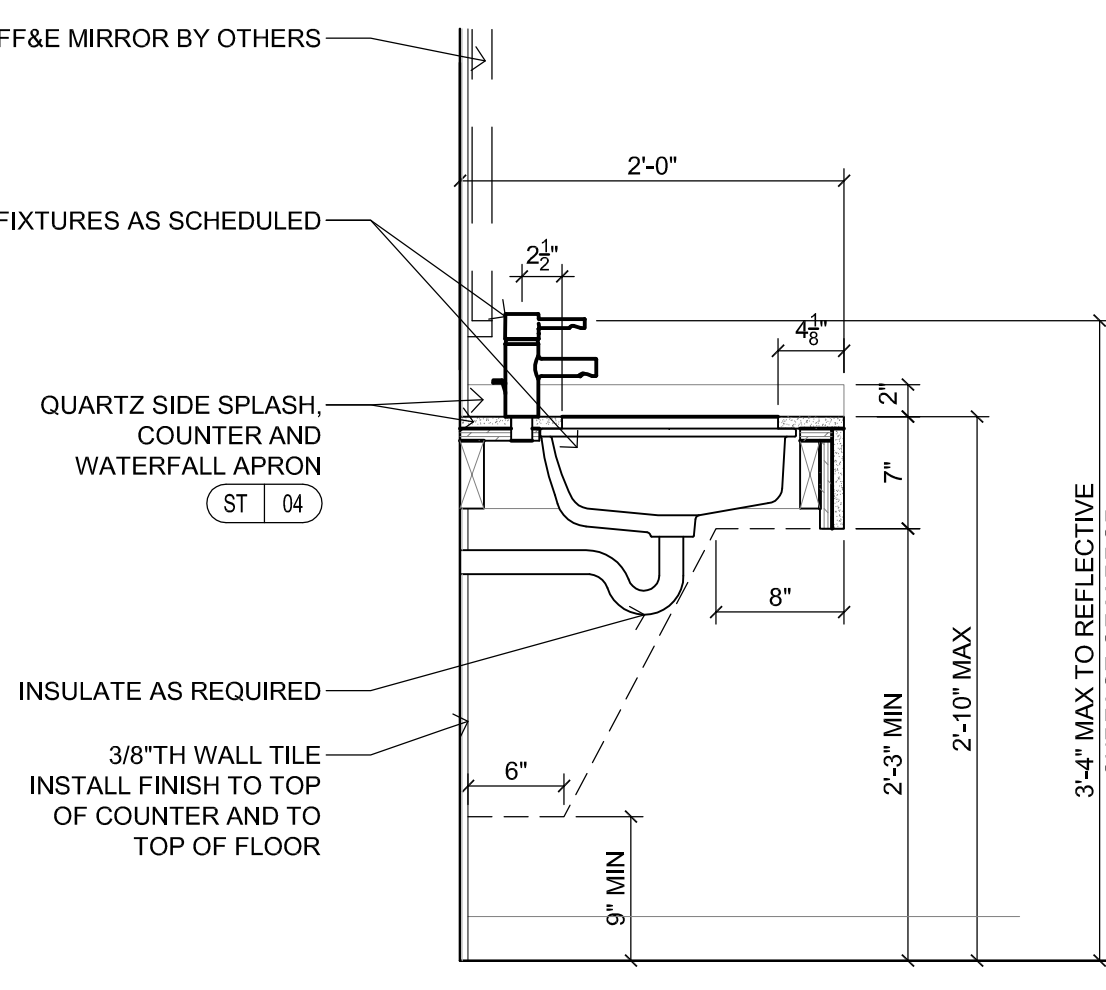
7 HYDRATION STATION
SCALE: 1" = 1'-0"



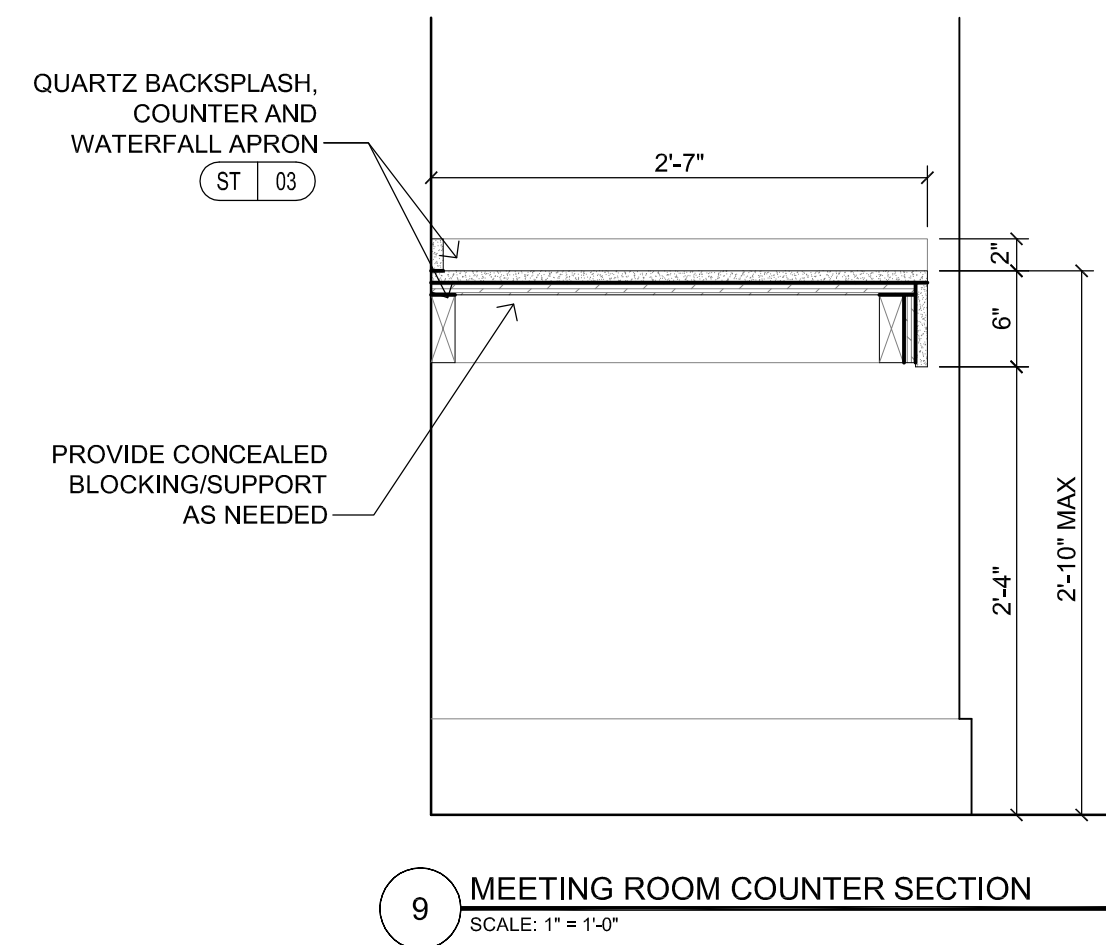
6 CORRIDOR HYDRATION STATION ELEVATION
SCALE: 1/2" = 1'-0"



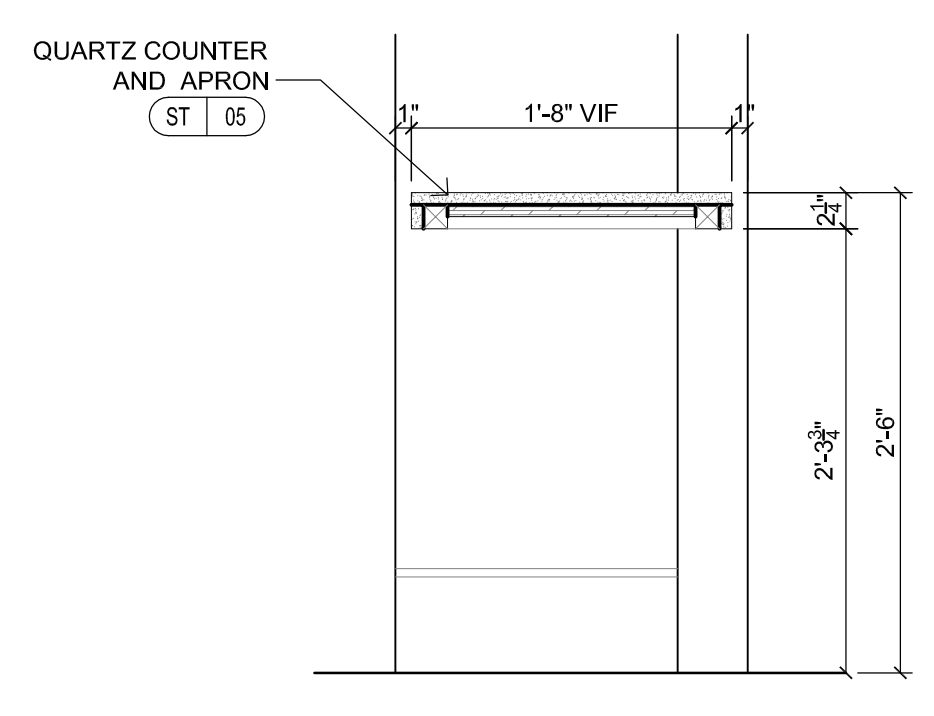
D PUBLIC RESTROOM VANITY
SCALE: 1/2" = 1'-0"



8 PRR VANITY SECTION
SCALE: 1" = 1'-0"



9 MEETING ROOM COUNTER SECTION
SCALE: 1" = 1'-0"



10 LOUNGE FLOATING COUNTER SECTION
SCALE: 1" = 1'-0"

SEE SHEET A9.07a FOR GENERAL MILLWORK NOTES.

REVISION:

ISSUED:
08-12-16 FOUNDATION & STEEL PERMIT
10-18-16 60% MARRIOTT REVIEW
05-19-17 90% MARRIOTT REVIEW

project architect: KAK
drawn by: JMC

**INTERIOR
DETAILS**
LOBBY & LOUNGE

sheet number:

A9.08