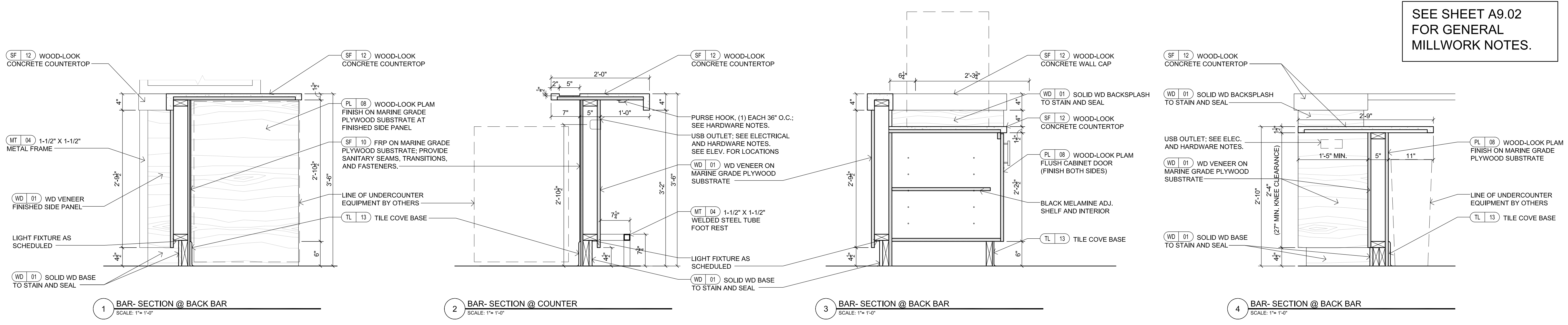


Tuesday, June 13, 2017 2:17:08 PM  
 Copyright 2015, Opechee Construction Corporation  
 11 CORPORATE DRIVE • BELLEVILLE • NH 03220  
 PHONE (603) 527-9098 • WWW.OPECHEE.COM

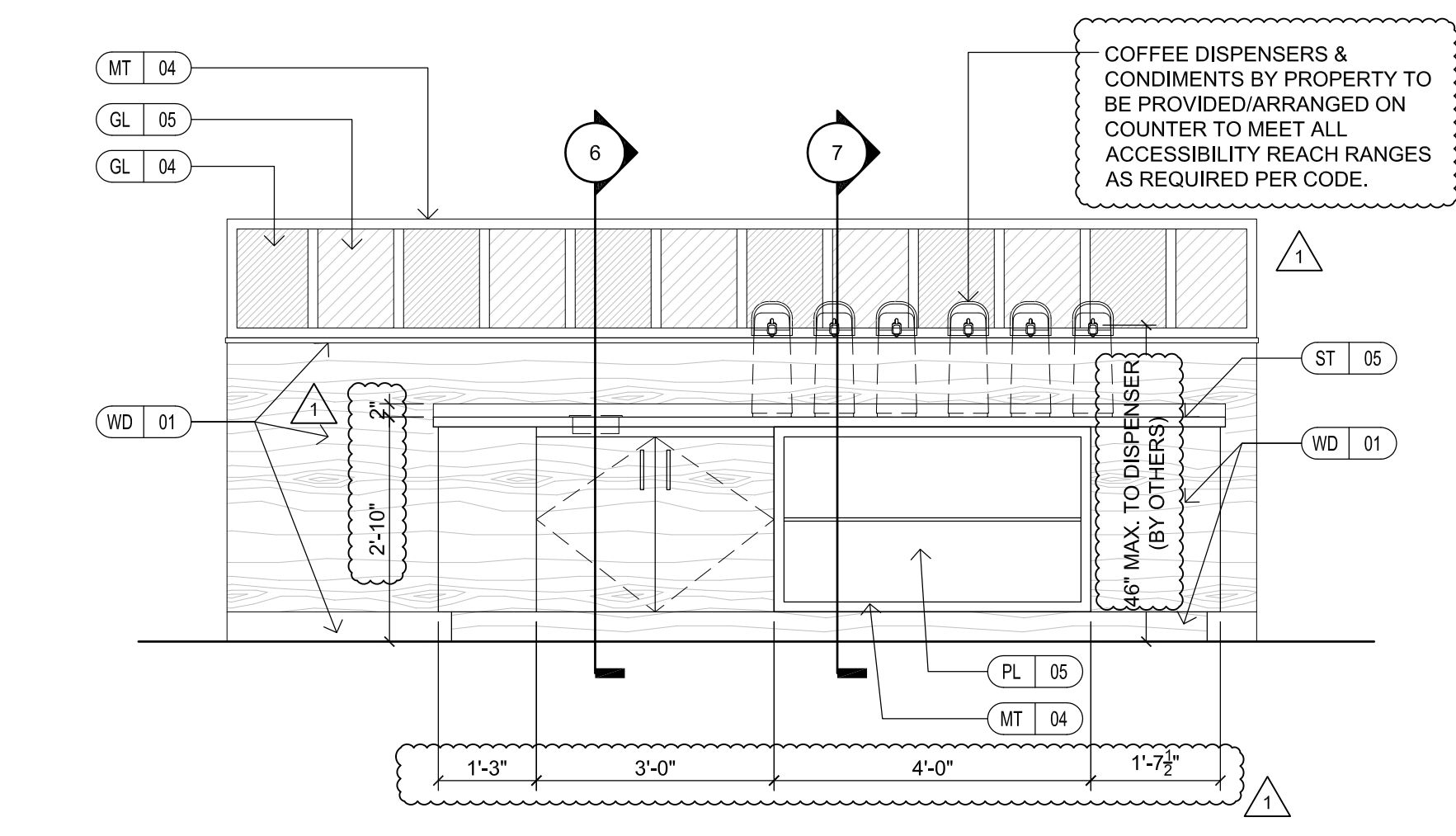


1 BAR-SECTION @ BACK BAR  
SCALE: 1"=1'-0"

2 BAR-SECTION @ COUNTER  
SCALE: 1"=1'-0"

3 BAR-SECTION @ BACK BAR  
SCALE: 1"=1'-0"

4 BAR-SECTION @ BACK BAR  
SCALE: 1"=1'-0"



5 BEVERAGE COUNTER/BANQUETTE WALL ELEVATION  
SCALE: 1/2"=1'-0"

**BAR & BEVERAGE COUNTER**

HARDWARE AND ELECTRICAL NOTES:

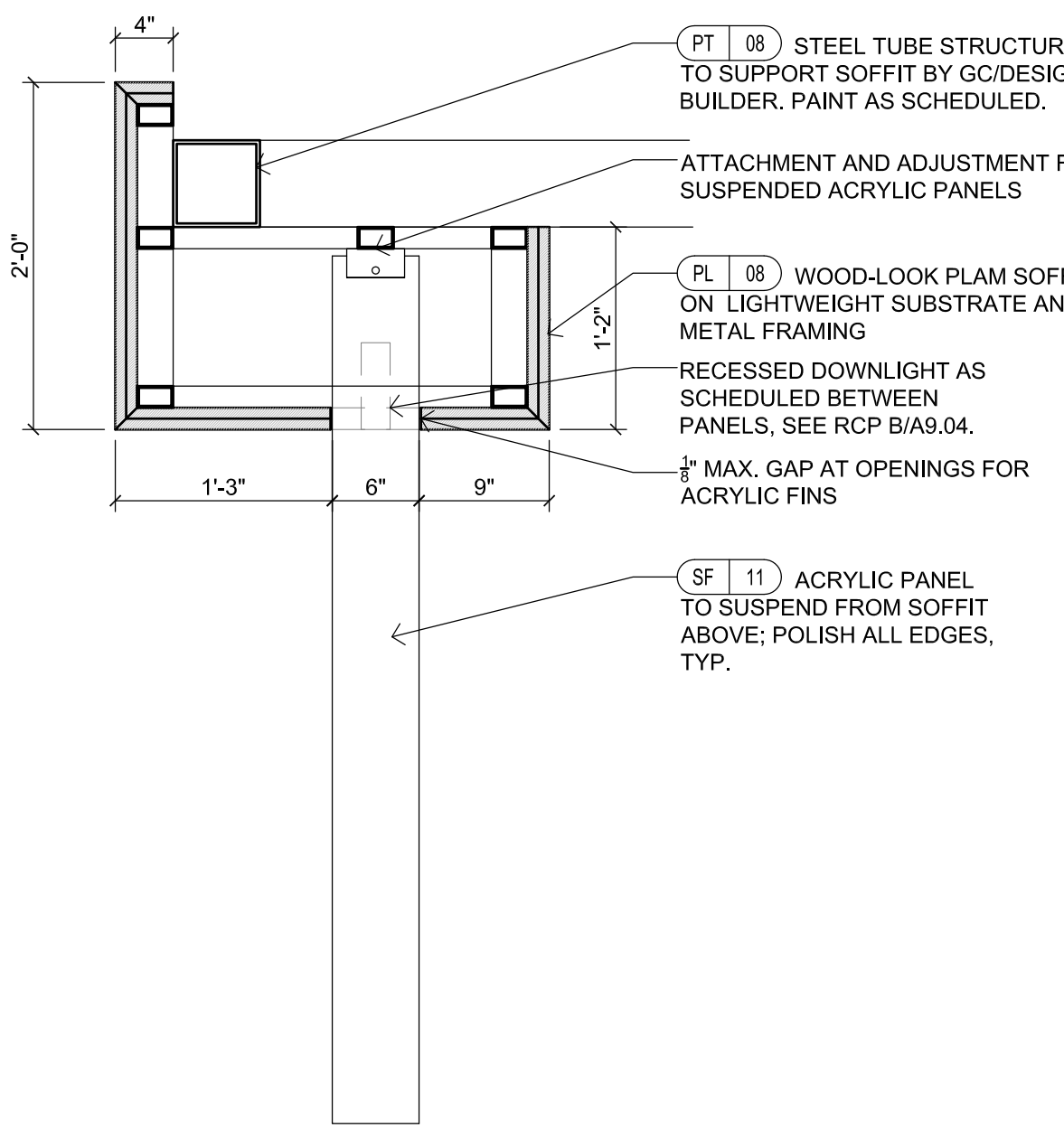
- ALL HARDWARE TO BE HEAVY-DUTY FOR COMMERCIAL USE
- PROVIDE SOFT CLOSE CONCEALED HINGES AND DRAWER GLIDES, TYP.
- ALL INTERIOR CABINET HARDWARE SHALL BE MATTE BLACK FINISH
- ALL ELECTRICAL DEVICES WITHIN MILLWORK TO BE BLACK W/BLACK COVERPLATES
- PROVIDE MAGNETIC PUSH LATCHES AT UPPER CABINET DOORS AS SPECIFIED FINISH; MATTE BLACK
- PROVIDE AND COORDINATE ALL EQUIPMENT CONNECTIONS AND POWER W/FINAL KEG LAYOUT AND SPECIFICATIONS.

DECORATIVE CABINET PULLS:  
8" BAR PULL BY RICHELIEU # BP205596900  
FINISH: MATTE BLACK

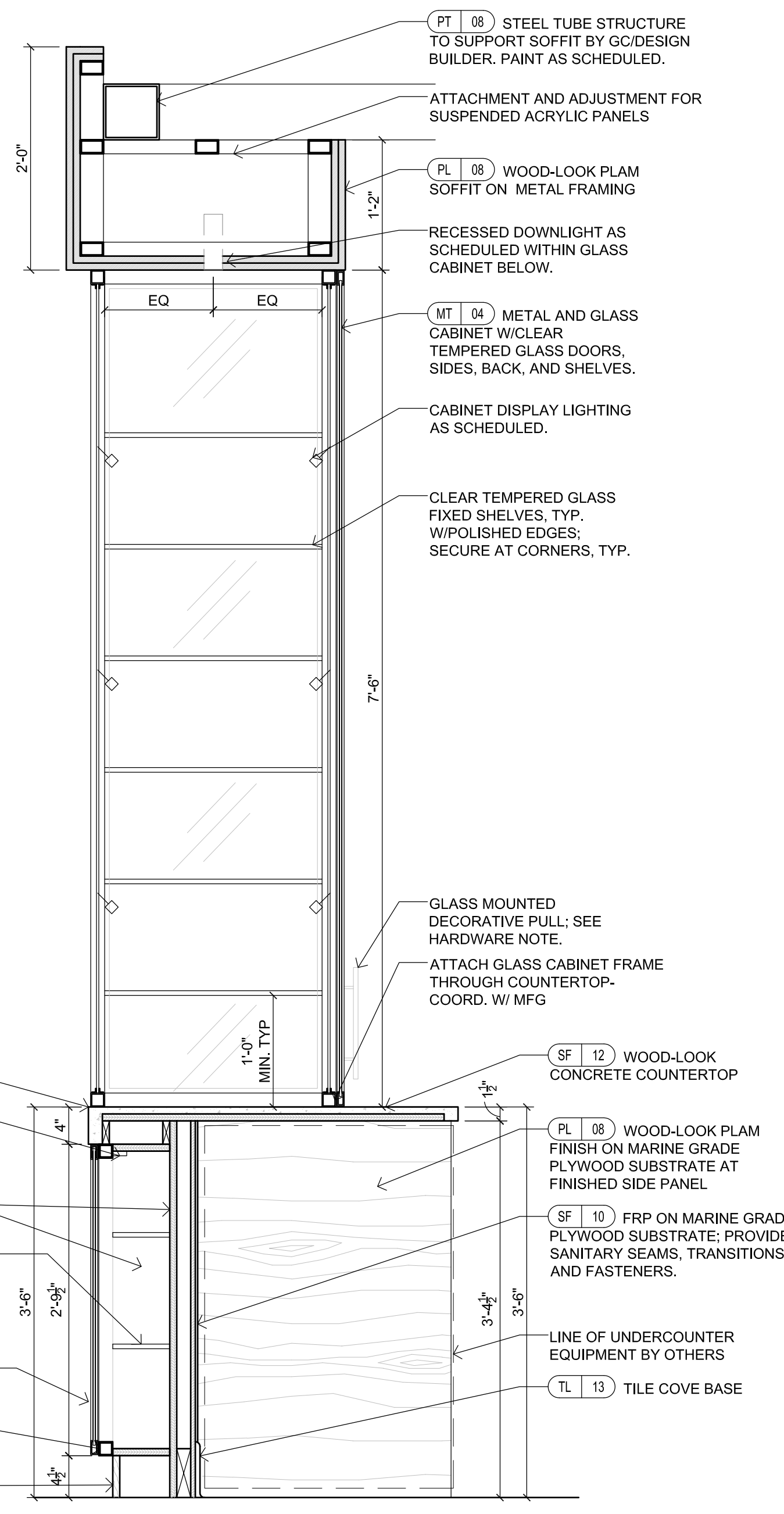
LIQUOR DISPLAY CABINET PULL:  
GLASS MOUNTED 12" BAR PULL BY TBD. FINISH: MATTE BLACK

USB OUTLETS @ BAR:  
FURNLITE 1200 SERIES TAMPER RESISTANT OUTLET W/2 USB PORT  
FINISH: BLACK  
PROVIDE BLACK FINISH COVERPLATE

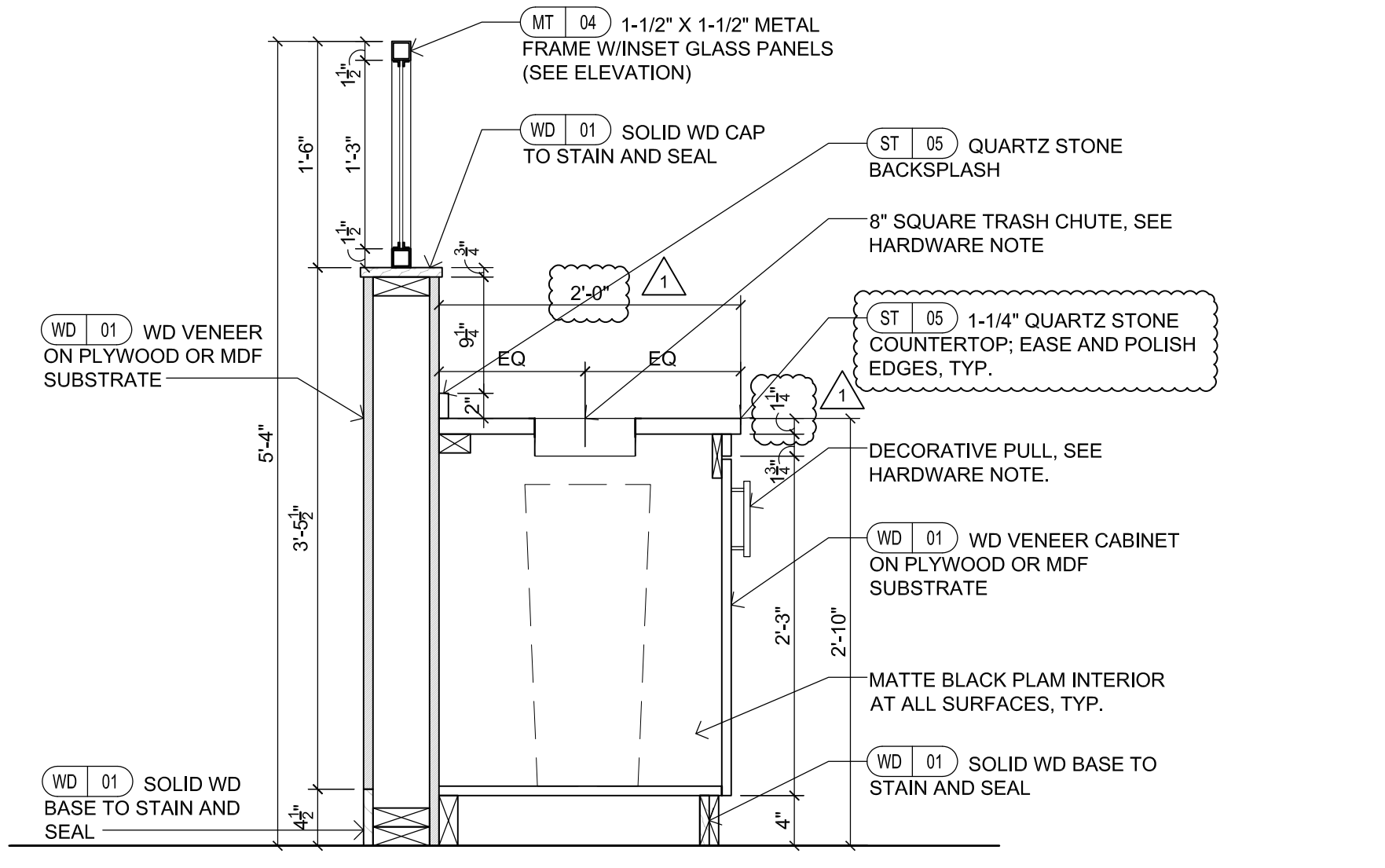
8" SQUARE TRASH GROMMET  
TM2C/SQ BY MOCKETT  
FINISH: POLISHED SS



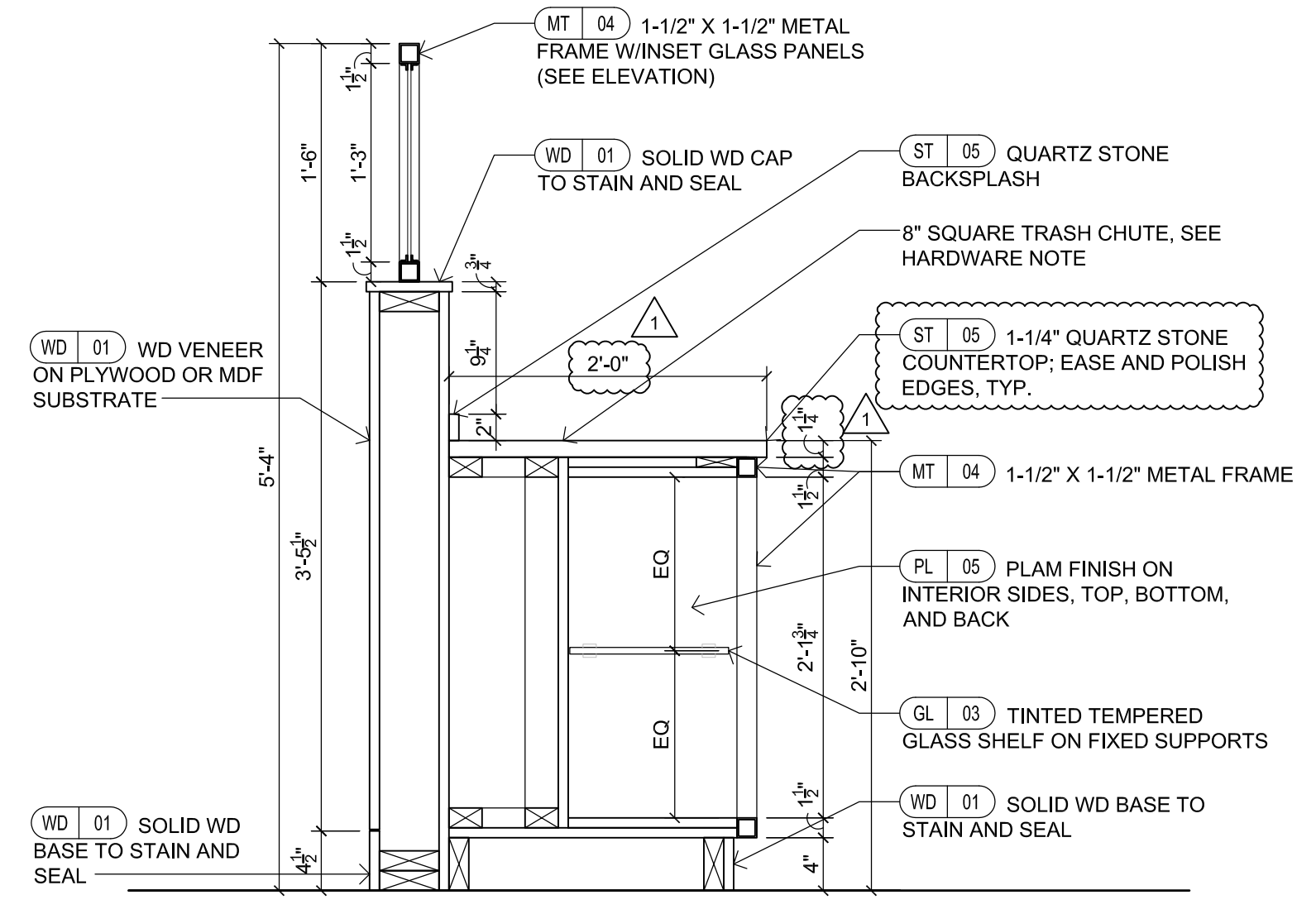
8 BAR-SECTION @ SOFFIT  
SCALE: 1"=1'-0"



9 BAR-SECTION @ DISPLAY CABINET  
SCALE: 1"=1'-0"



6 BEVERAGE COUNTER/BANQUETTE WALL- SECTION @ TRASH  
SCALE: 1"=1'-0"



7 BEVERAGE COUNTER/BANQUETTE WALL- SECTION @ SHELF  
SCALE: 1"=1'-0"

**AC HOTELS by MARRIOTT**  
Fore Street / Hancock Street / Thames Street  
Portland, Maine

ISSUED: 08-12-16 FOUNDATION & STEEL PERMIT  
10-18-16 60% MARRIOTT REVIEW  
05-19-17 90% MARRIOTT REVIEW  
06-13-17 REVISION 1

REVISION:

project architect: KAK  
drawn by: JMC

**INTERIOR DETAILS**  
LOBBY & LOUNGE

sheet number:  
**A9.05**