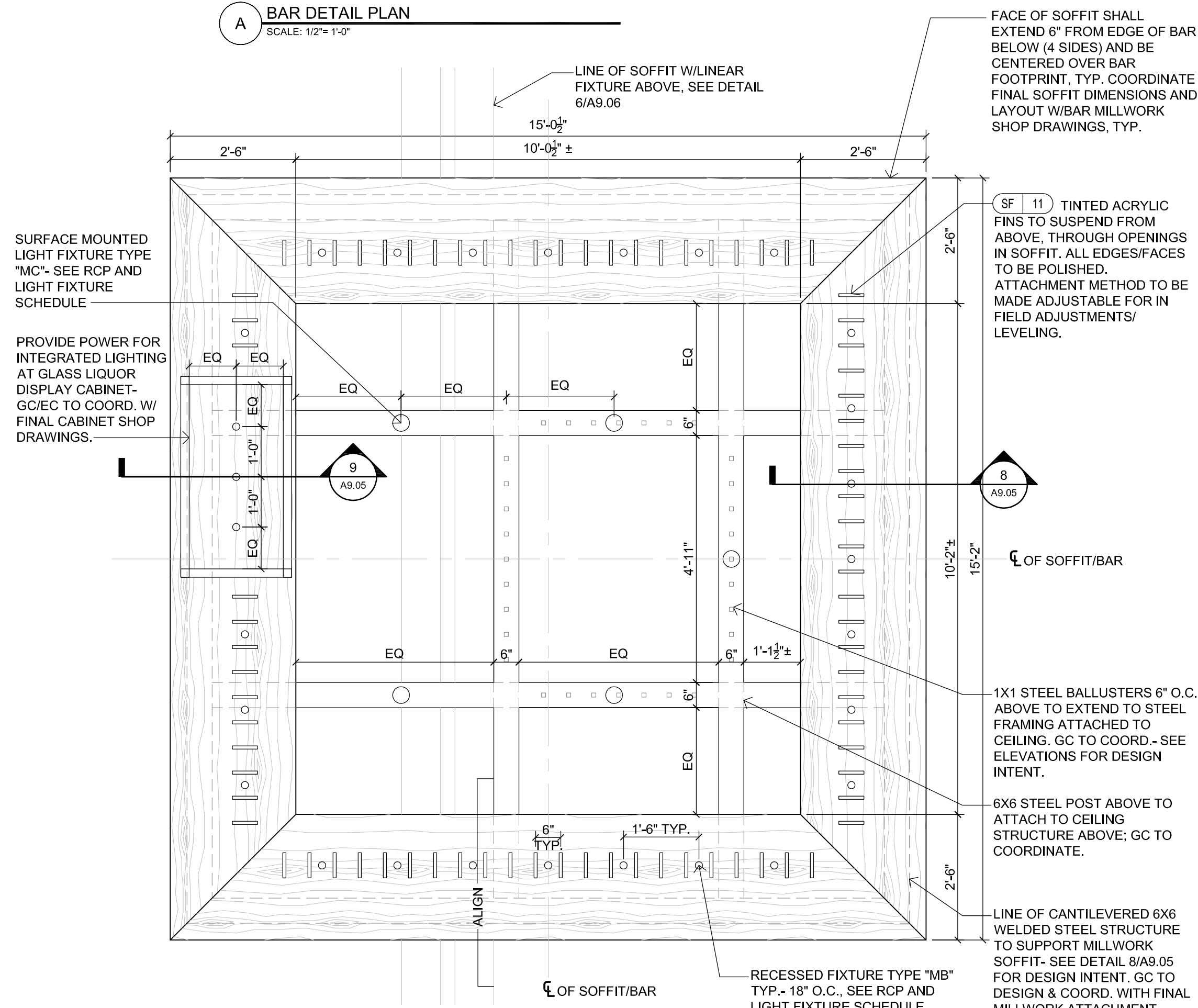
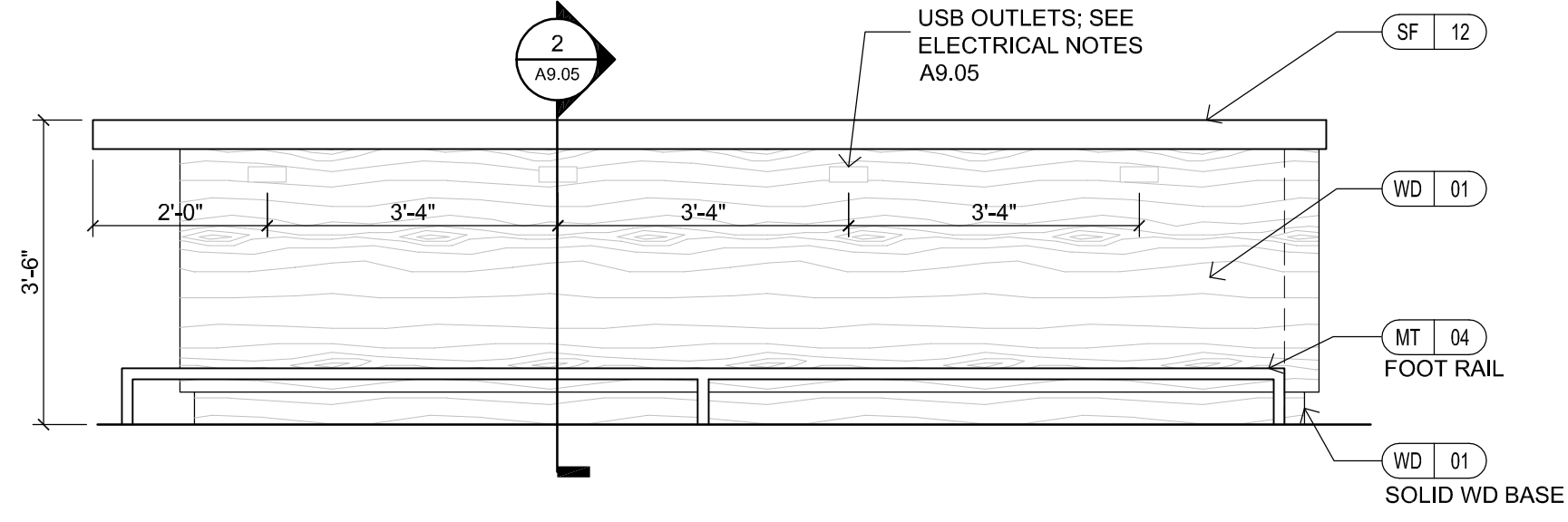


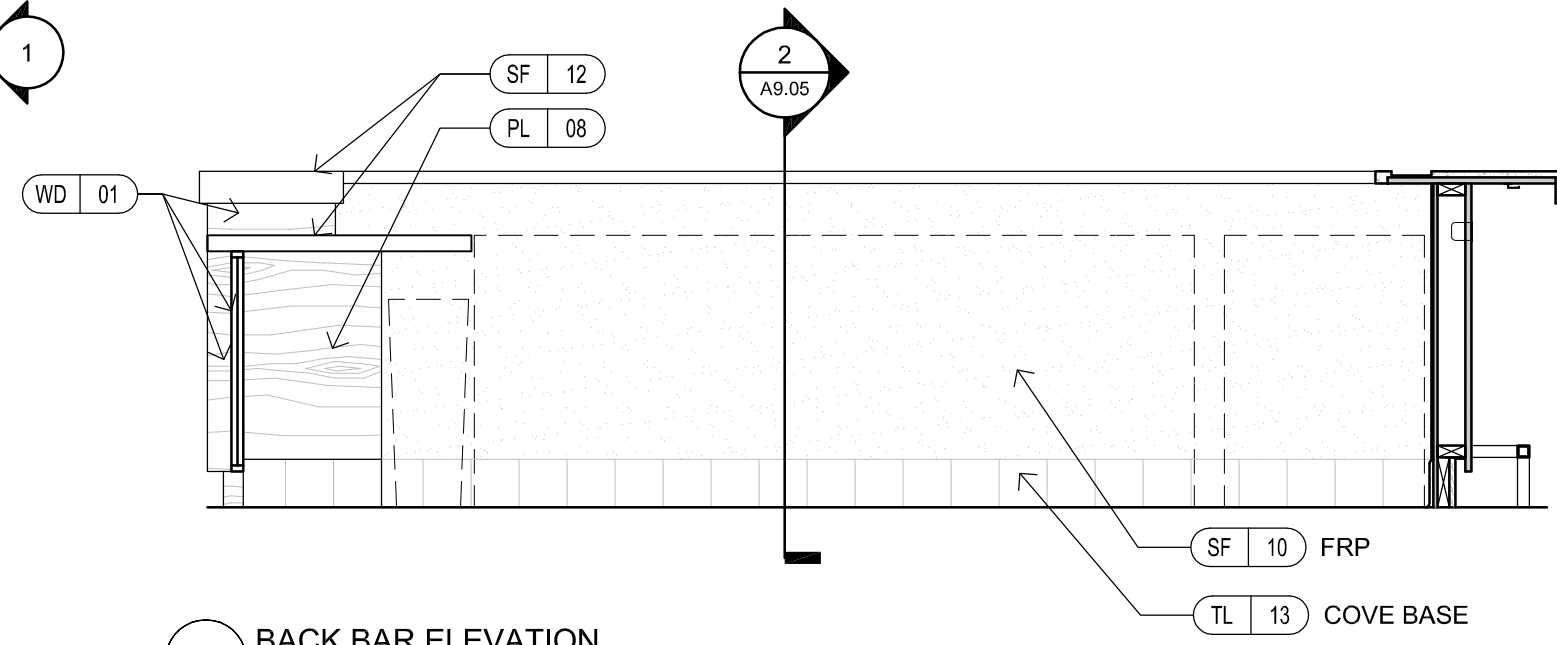
**A BAR DETAIL PLAN**  
SCALE: 1/2" = 1'-0"



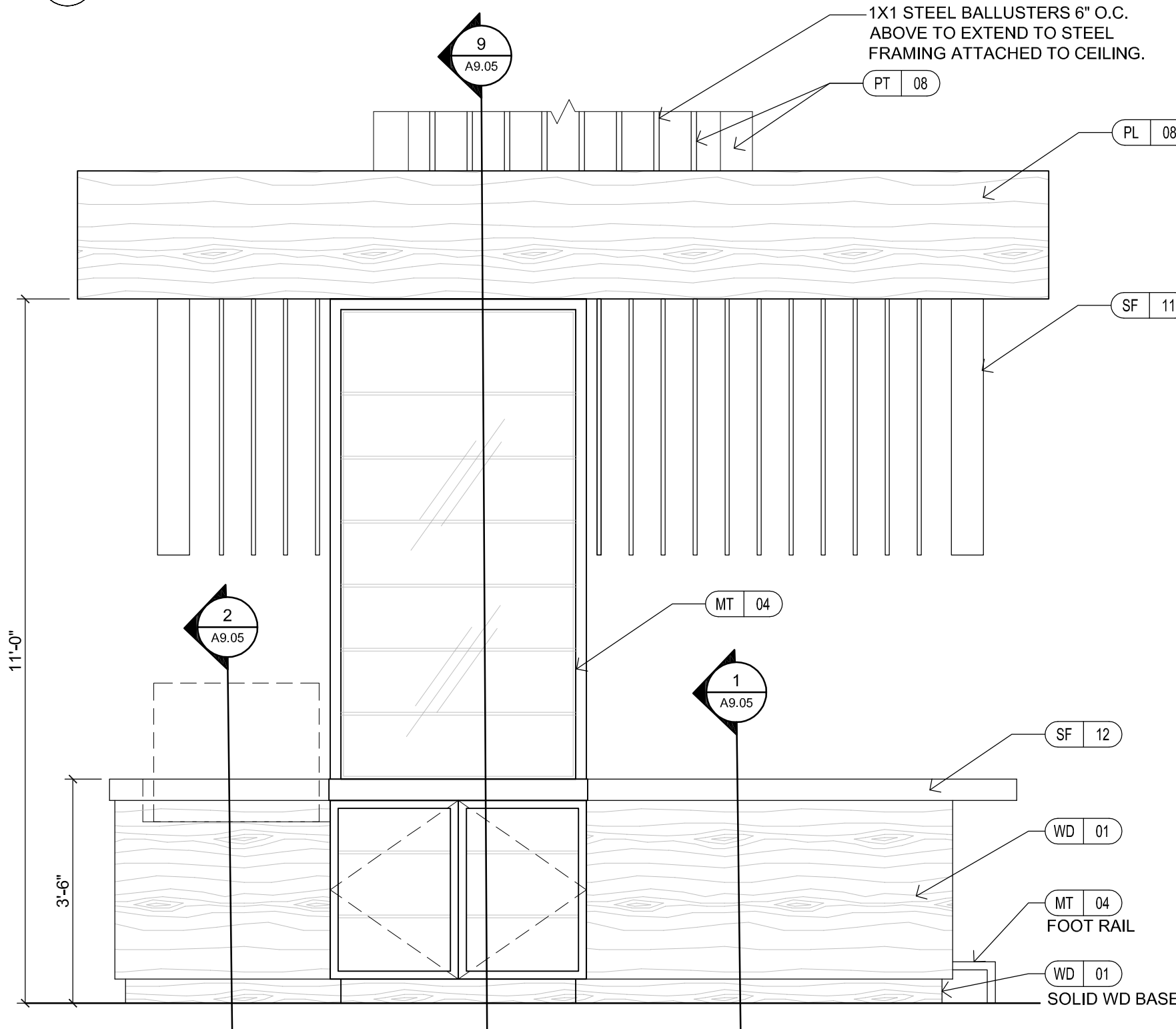
**B BAR RCP PLAN**  
SCALE: 1/2" = 1'-0"



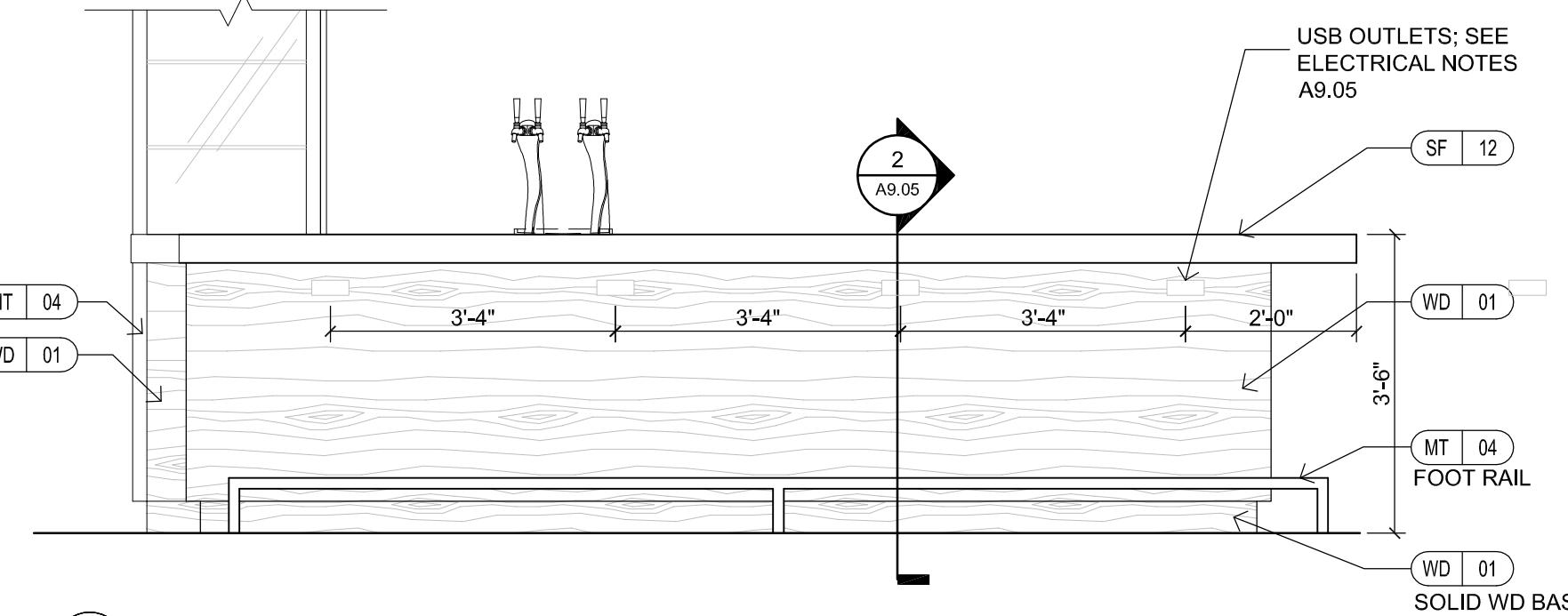
**1 BAR ELEVATION**  
SCALE: 1/2" = 1'-0"



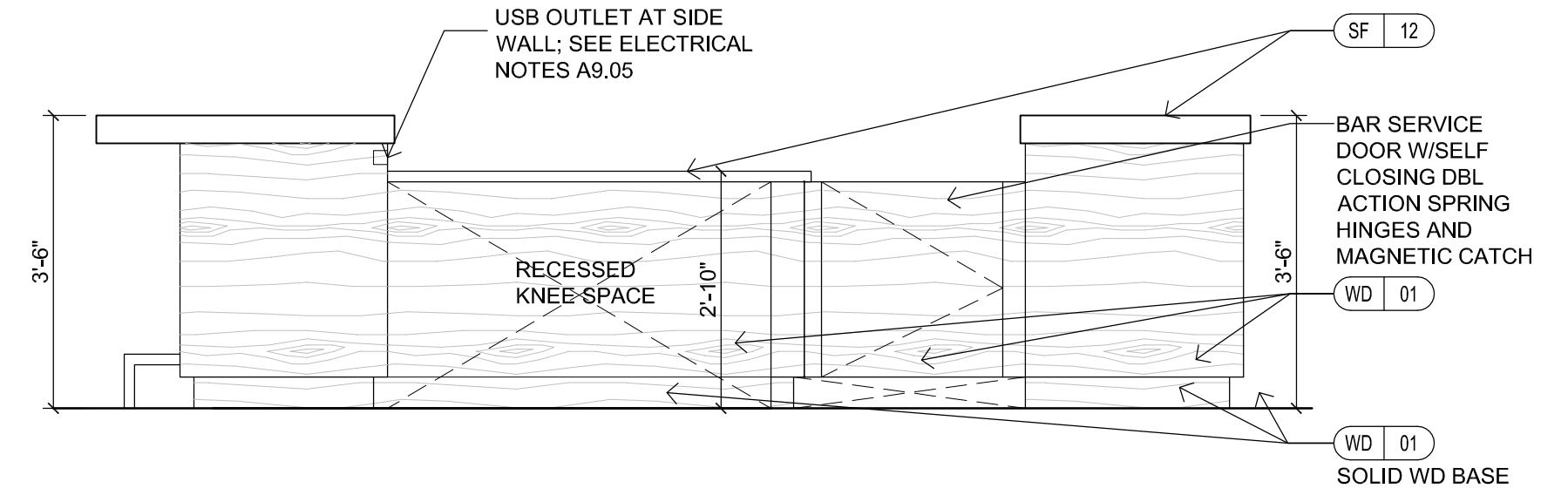
**1b BACK BAR ELEVATION**  
SCALE: 1/2" = 1'-0"



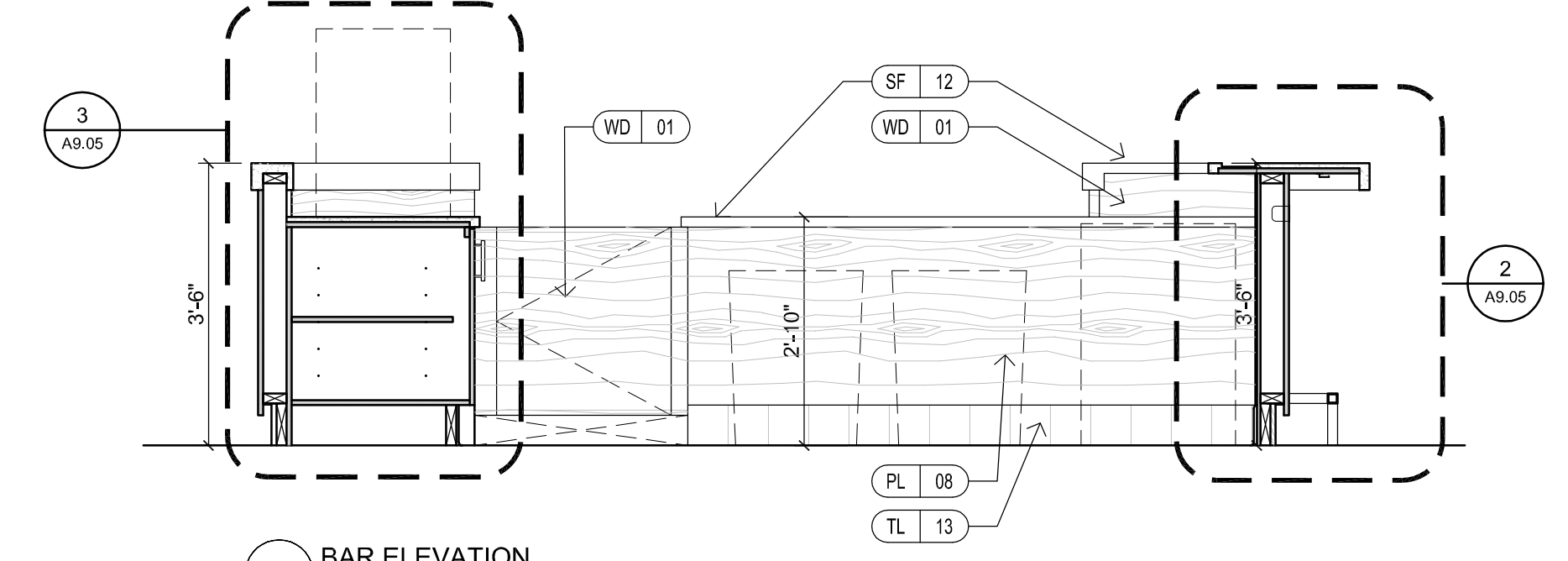
**3 BACK BAR ELEVATION/SECTION**  
SCALE: 1/2" = 1'-0"



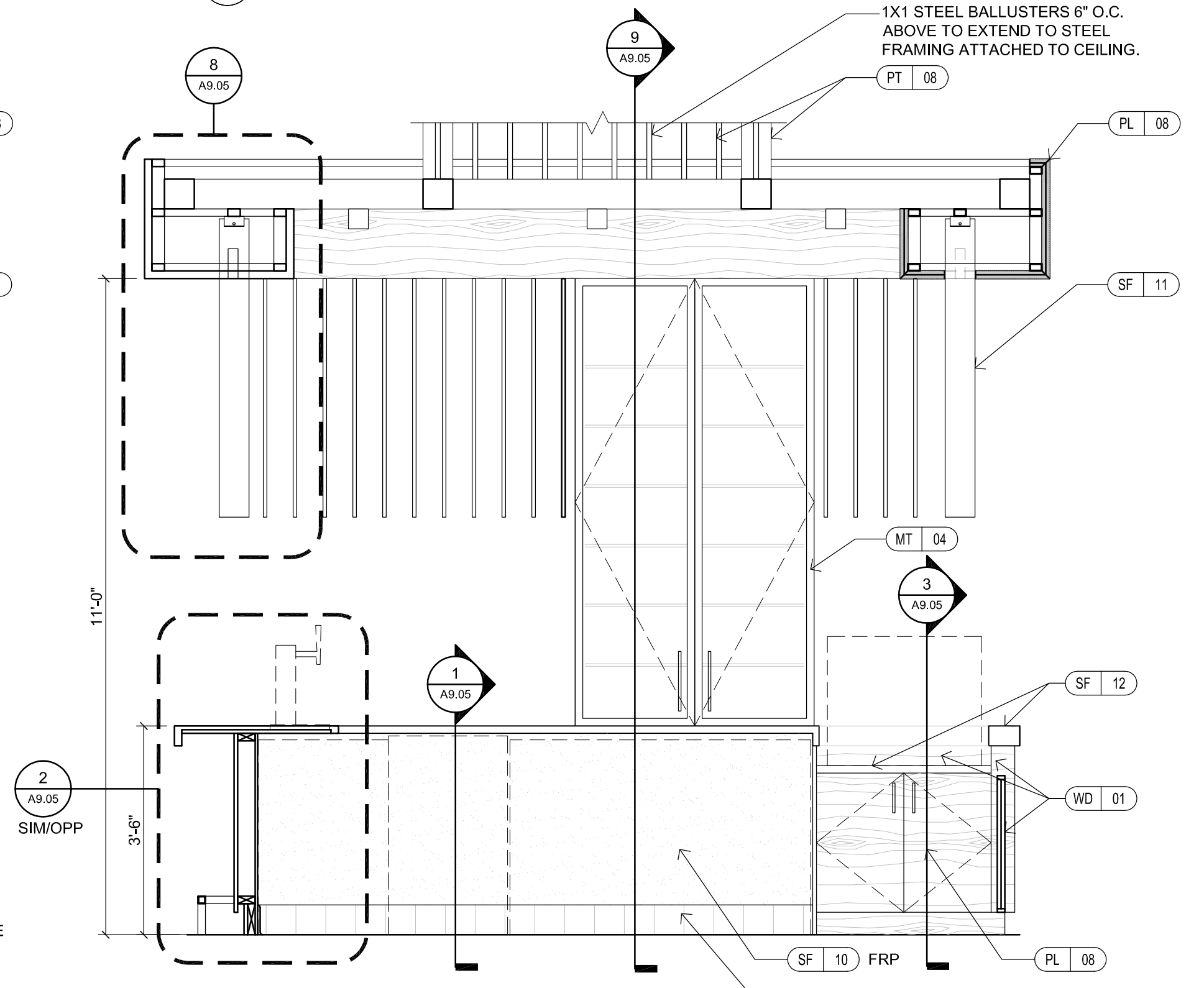
**4 BACK BAR ELEVATION/SECTION**  
SCALE: 1/2" = 1'-0"



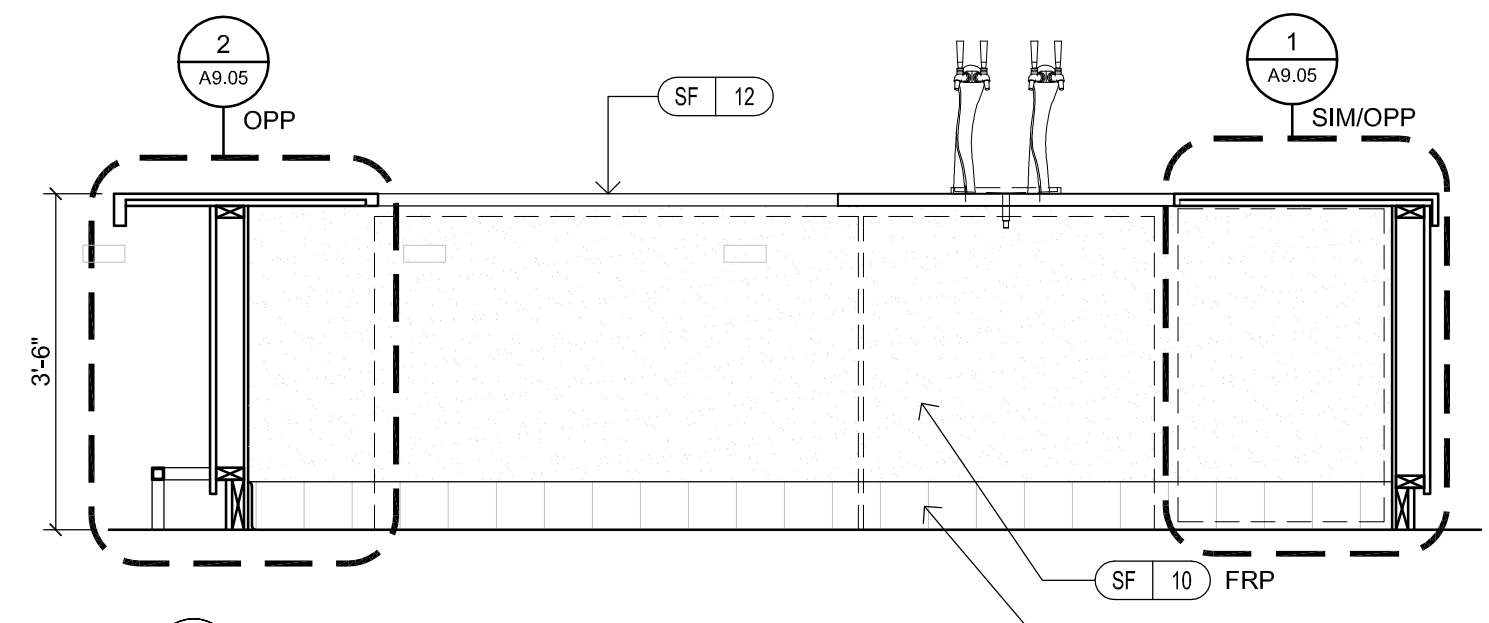
**2 BAR ELEVATION**  
SCALE: 1/2" = 1'-0"



**2 BAR ELEVATION**  
SCALE: 1/2" = 1'-0"



**3b BACK BAR ELEVATION/SECTION**  
SCALE: 1/2" = 1'-0"



**4b BACK BAR ELEVATION/SECTION**  
SCALE: 1/2" = 1'-0"

SEE SHEET A9.02 FOR GENERAL MILLWORK NOTES.

REVISION:

ISSUED:  
08-12-16 FOUNDATION & STEEL PERMIT  
10-18-16 60% MARRIOTT REVIEW  
05-19-17 90% MARRIOTT REVIEW

project architect: KAK  
drawn by: JMC

**INTERIOR DETAILS**  
LOBBY & LOUNGE

sheet number:

**A9.04**