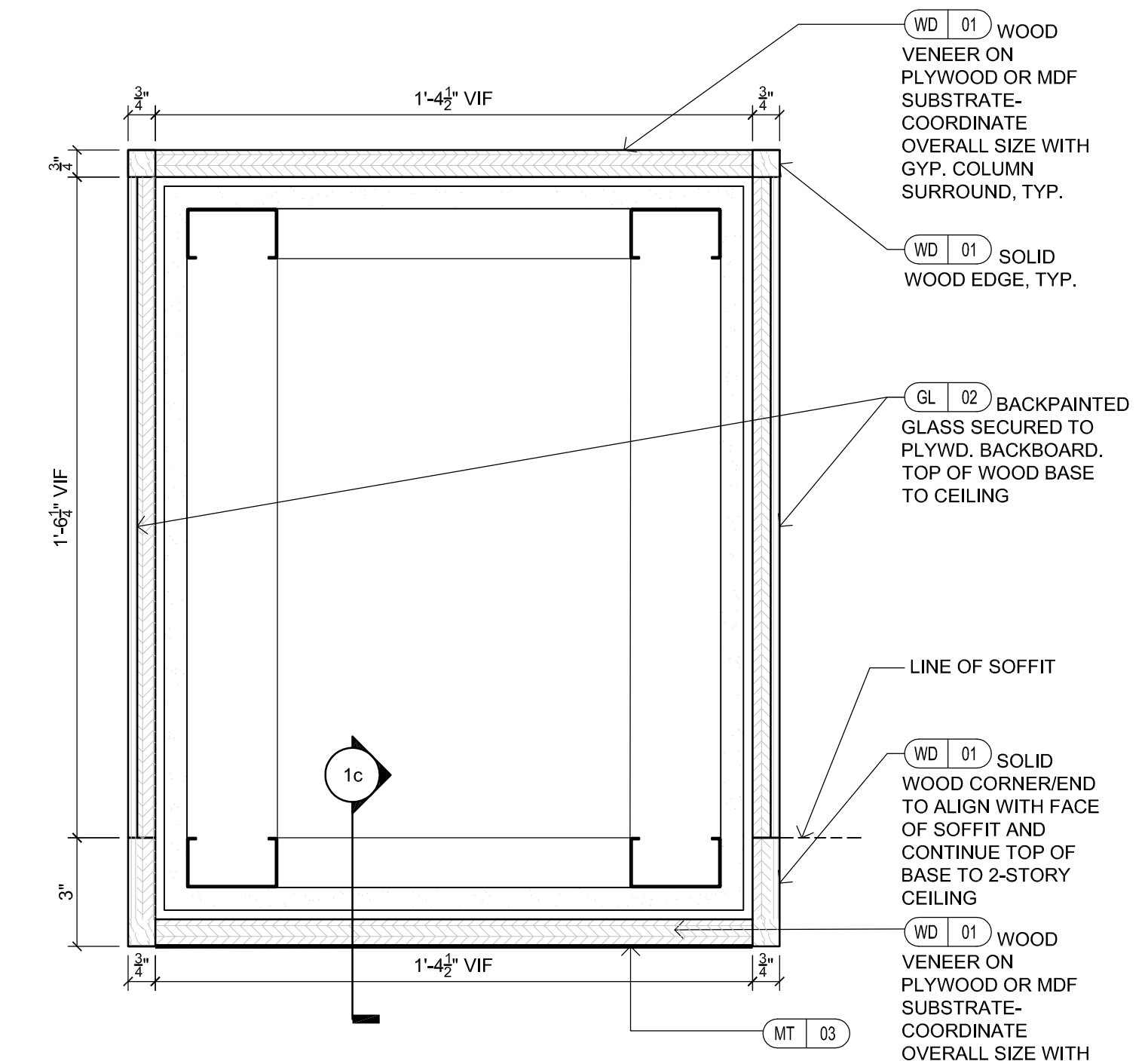
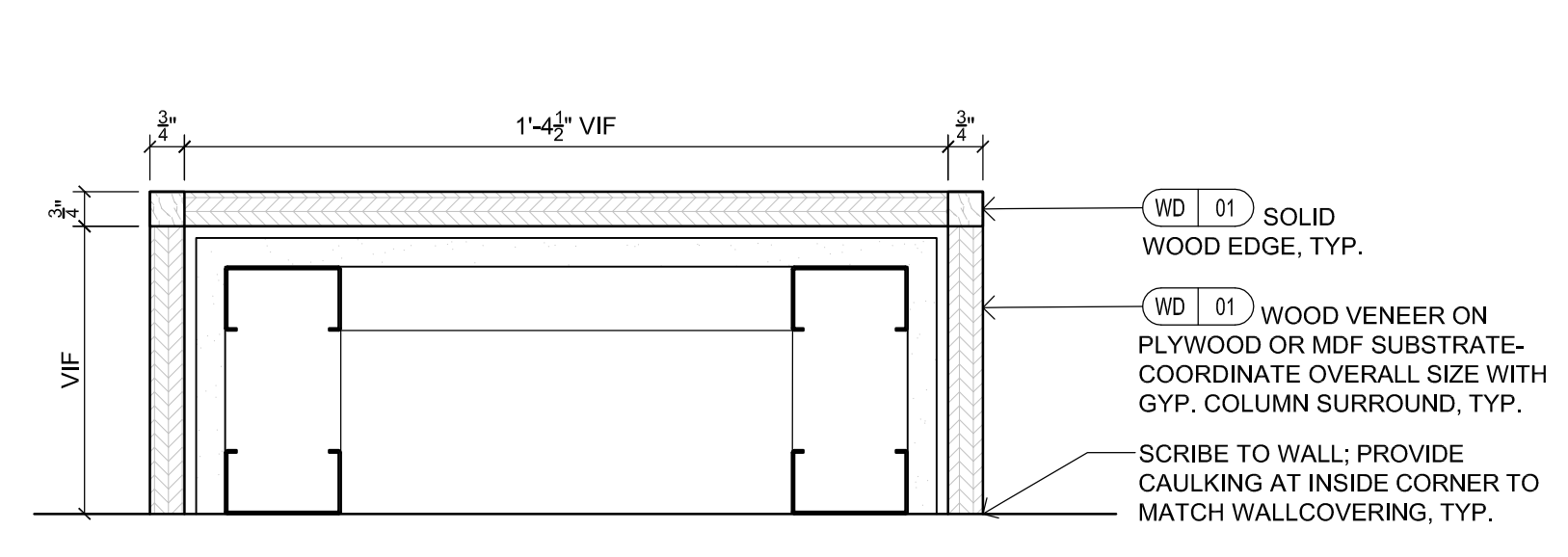


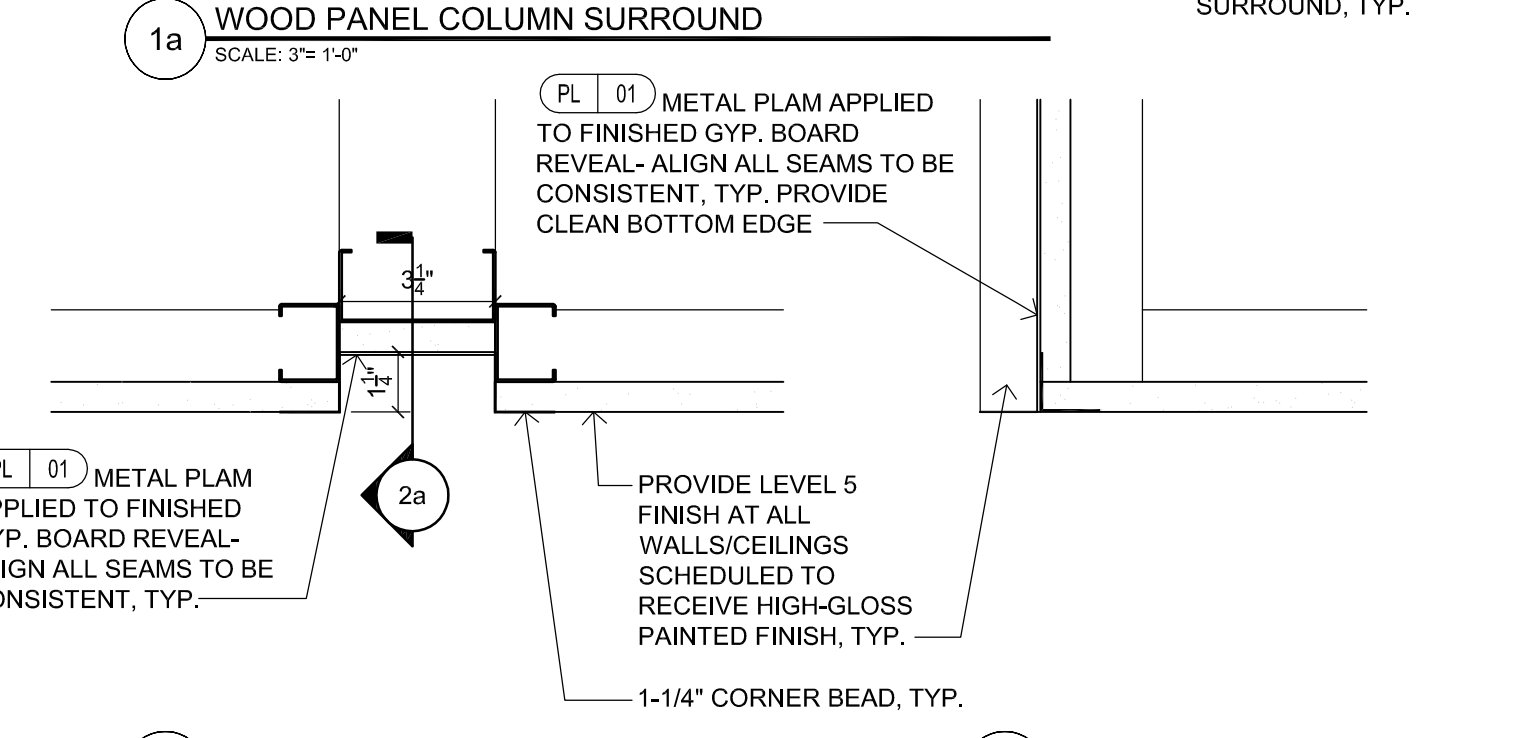
A LIBRARY SCREEN WALL & SHELVING
SCALE: 1/2" = 1'-0"



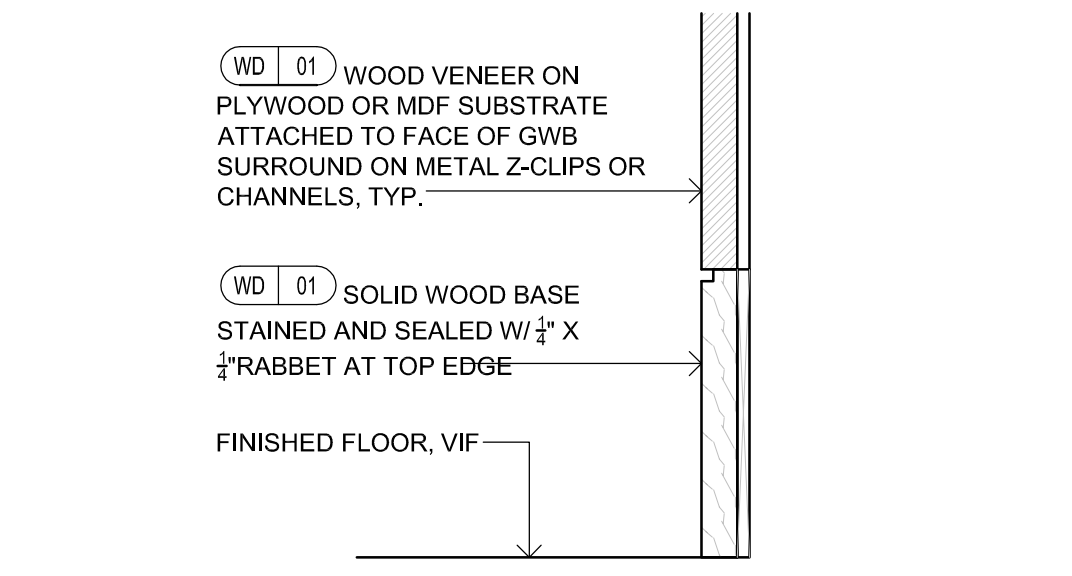
1a WOOD PANEL COLUMN SURROUND
SCALE: 3/4" = 1'-0"



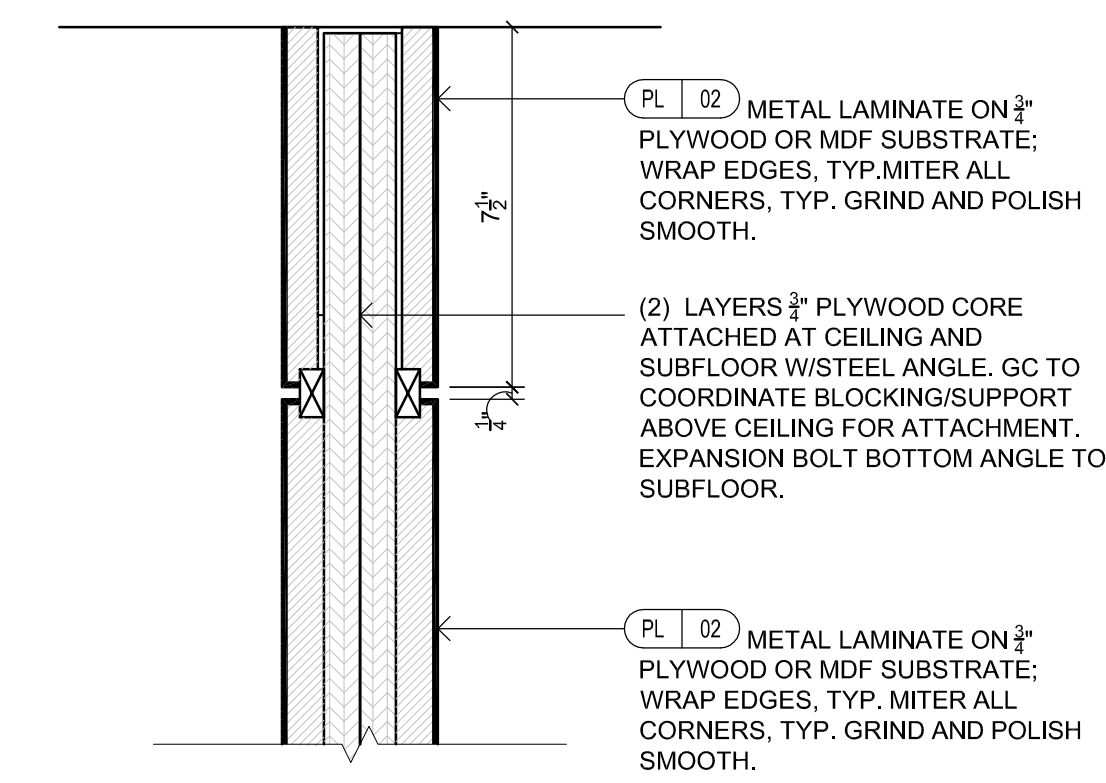
1b WOOD PANEL BUMP OUT
SCALE: 3/4" = 1'-0"



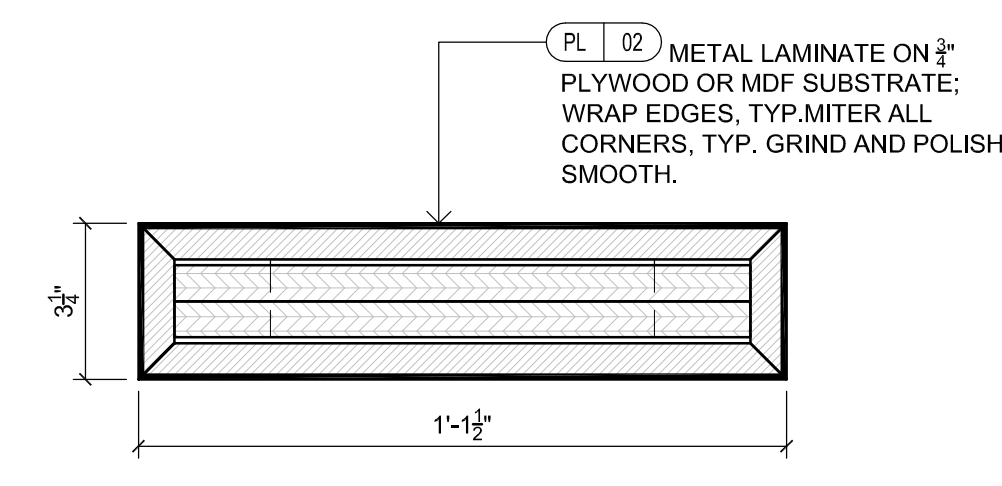
2a METAL REVEAL @ GWB
SCALE: 3/4" = 1'-0"



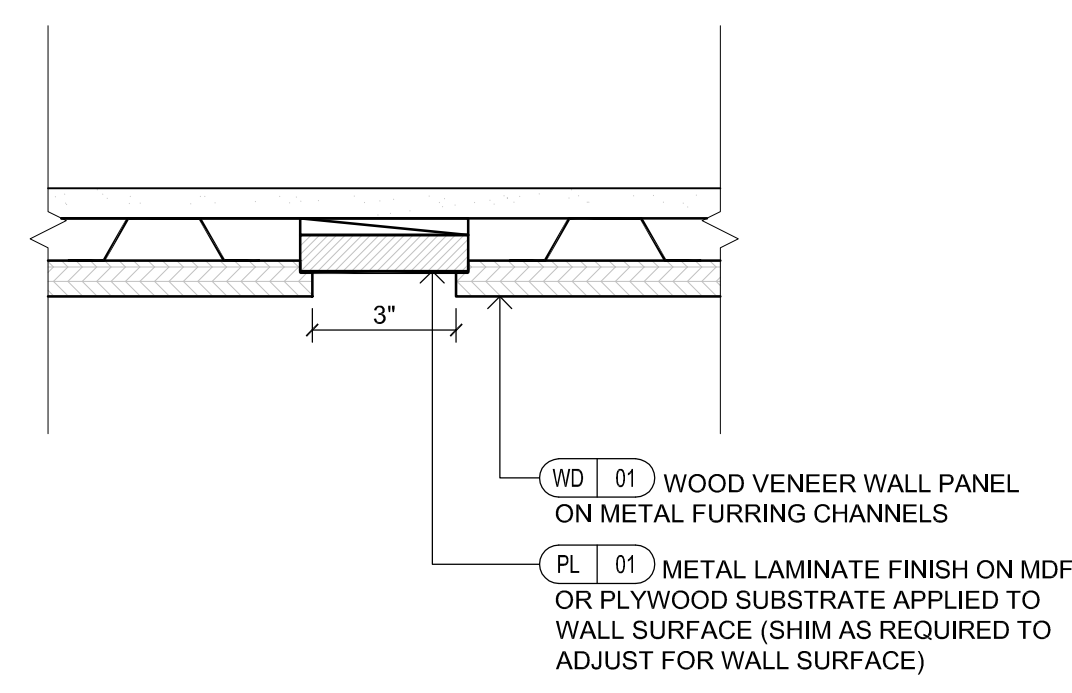
1c WOOD PANEL BASE
SCALE: 3/4" = 1'-0"



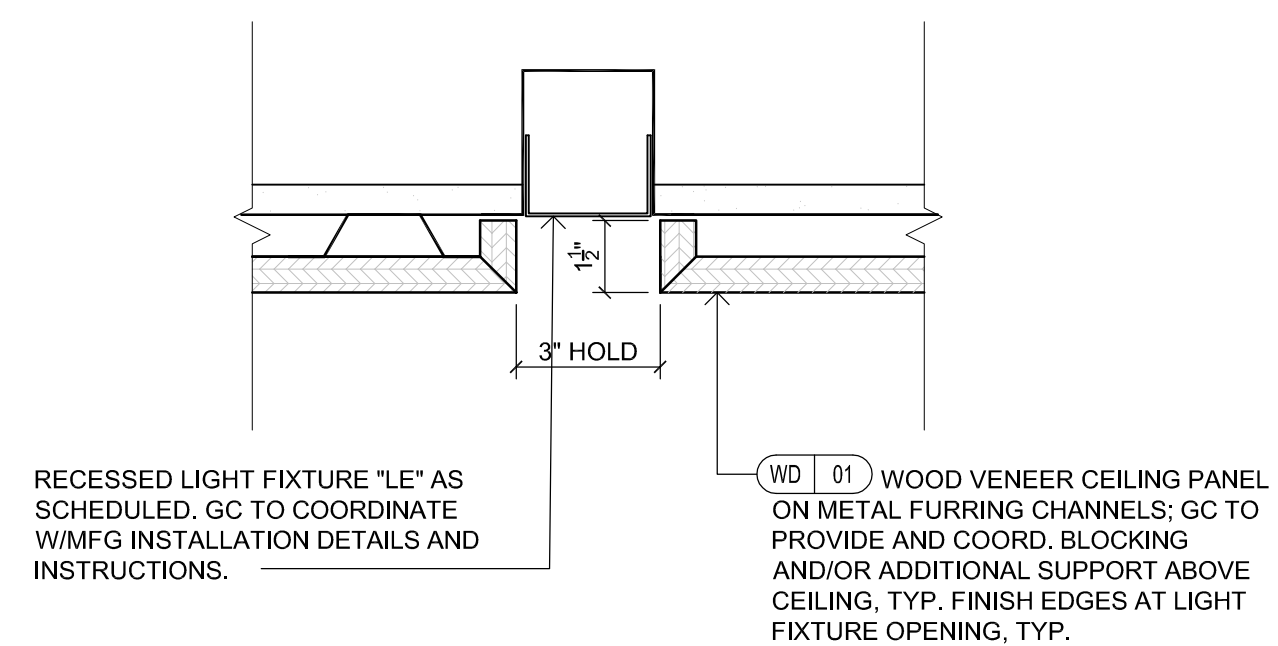
3 METAL SCREEN WALL - VERTICAL SECTION DETAIL
SCALE: 3/4" = 1'-0"



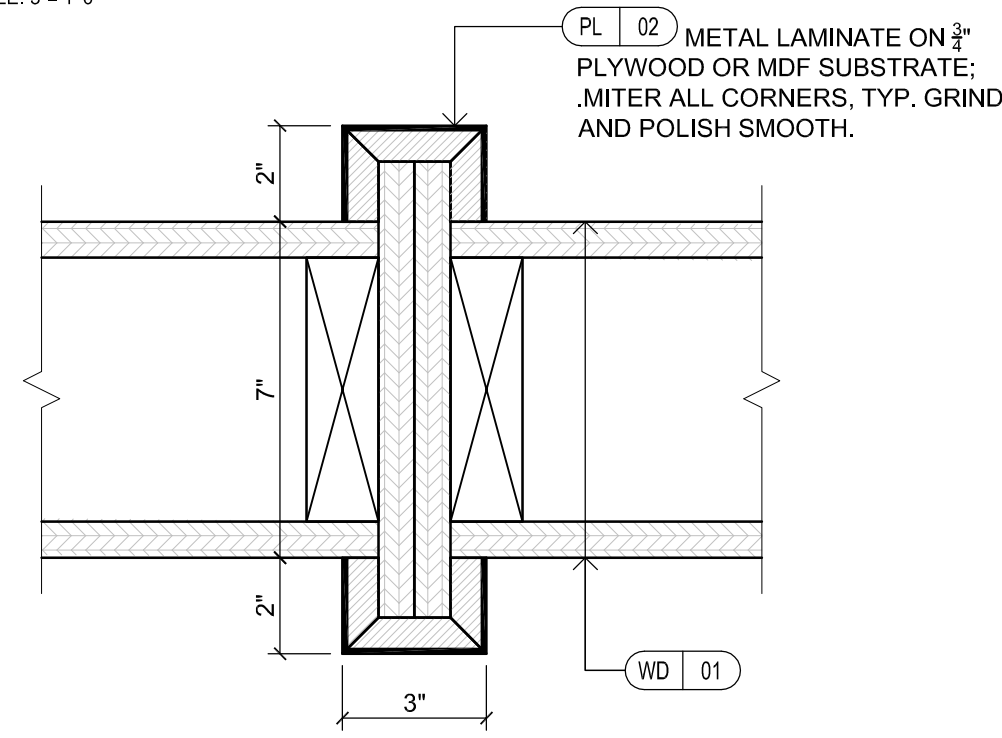
4 METAL SCREEN WALL- PLAN SECTION DETAIL
SCALE: 3/4" = 1'-0"



5 METAL REVEAL @ WOOD VENEER PANELS
SCALE: 3/4" = 1'-0"



6 LIGHT FIXTURE REVEAL @ WOOD PANEL CEILING
SCALE: 3/4" = 1'-0"



7 METAL SCREEN WALL @ LIBRARY
SCALE: 3/4" = 1'-0"

LIBRARY

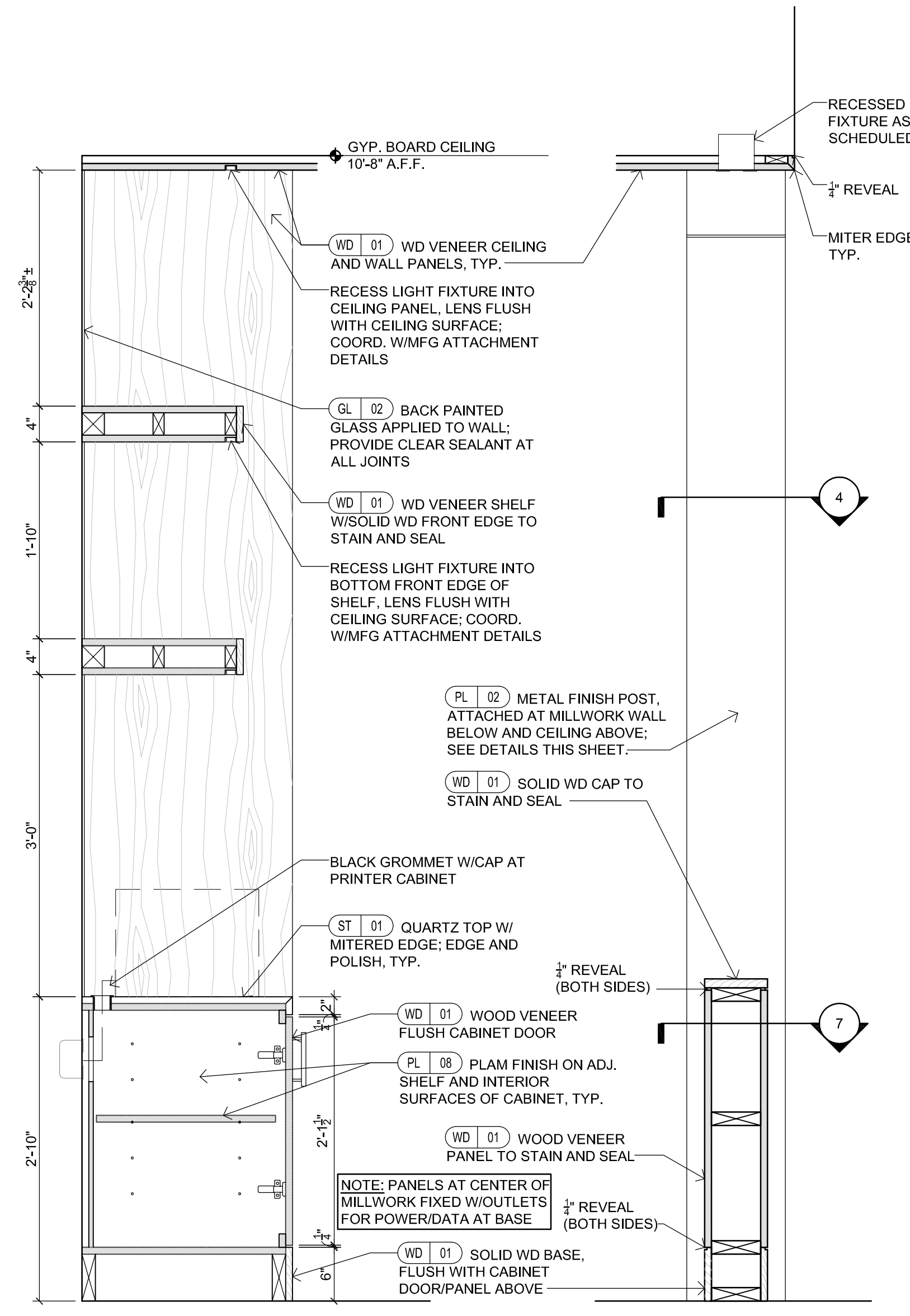
HARDWARE AND ELECTRICAL NOTES:

- ALL HARDWARE TO BE HEAVY-DUTY FOR COMMERCIAL USE
- PROVIDE SOFT CLOSE CONCEALED HINGES AND DRAWER GLIDES, TYP.
- ALL INTERIOR CABINET HARDWARE SHALL BE MATTE BLACK FINISH
- ALL ELECTRICAL DEVICES WITHIN MILLWORK TO BE BLACK W/BLOCK COVERPLATES
- PROVIDE MAGNETIC PUSH LATCHES AT UPPER CABINET DOORS AS SPECIFIED FINISH: MATTE BLACK

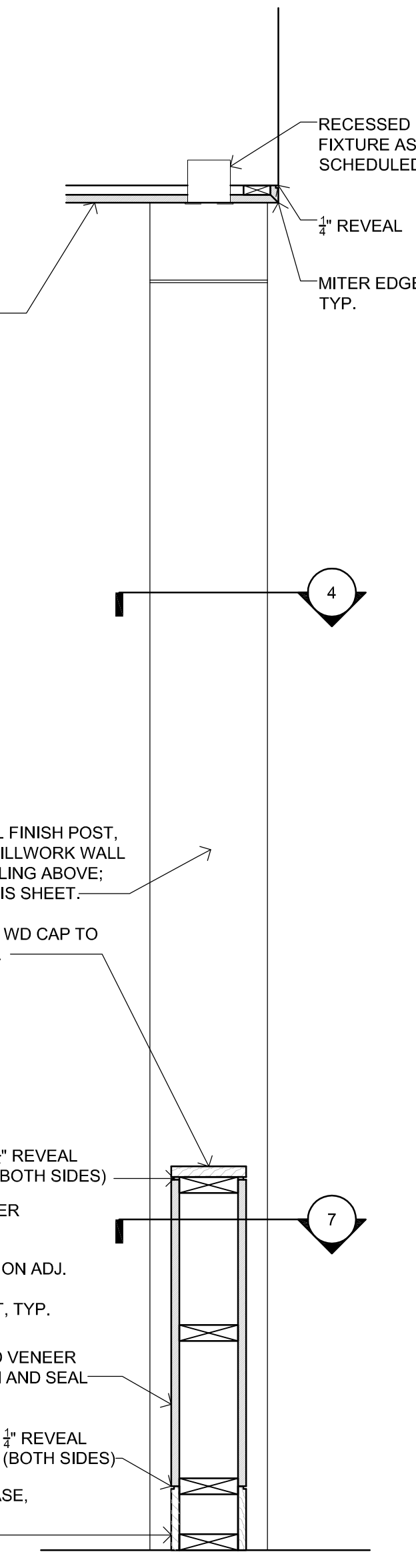
DECORATIVE CABINET PULLS:
6" BAR PULL BY RICHELIEU # BP205596900
FINISH: MATTE BLACK

SEE SHEET A9.02 FOR GENERAL MILLWORK NOTES.

10 WOOD BASE, TYP.
SCALE: 3/4" = 1'-0"



8 LIBRARY SHELVING- SECTION
SCALE: 1/4" = 1'-0"



9 LIBRARY SCREEN WALL- SECTION
SCALE: 1/4" = 1'-0"