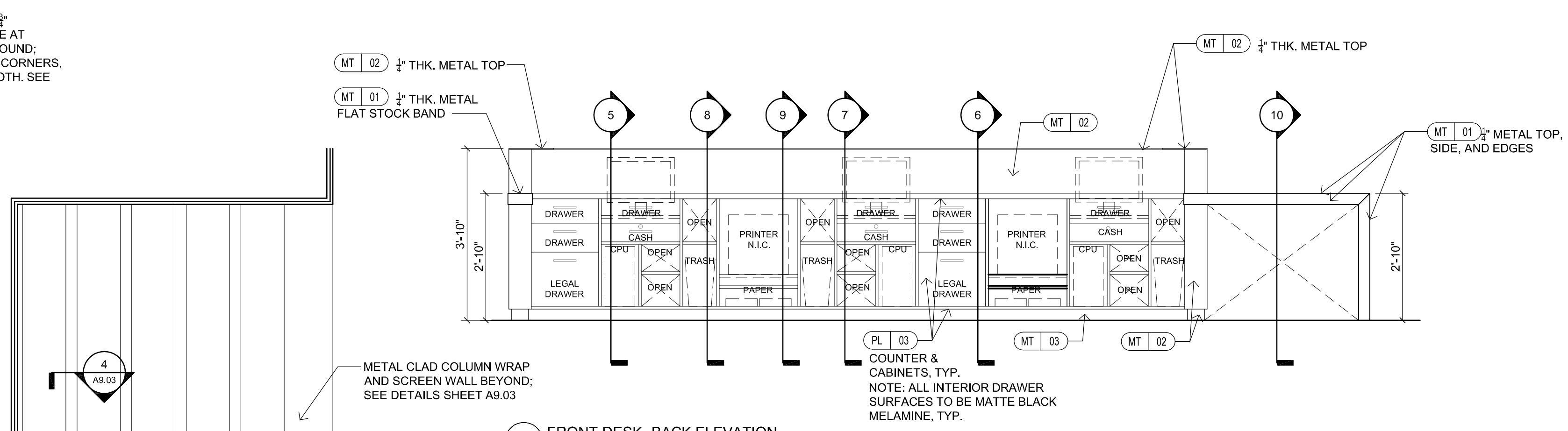
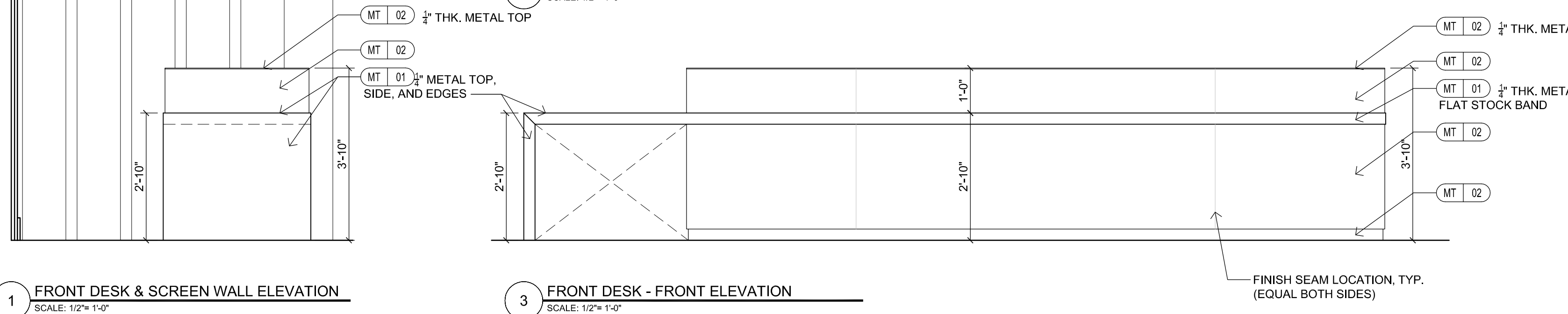


**A FRONT DESK & SCREEN WALL- PLAN DETAIL**  
SCALE: 1/2" = 1'-0"

- GENERAL MILLWORK NOTES:**
- MILLWORK DETAILS ARE SHOWN FOR DESIGN INTENT ONLY. FABRICATOR SHALL BE RESPONSIBLE FOR CONSTRUCTION DETAILS AND ATTACHMENT TO WORK BY OTHERS.
  - G.C. TO COORDINATE SCOPE OF ALL TRADES INCLUDING BUT NOT LIMITED TO MEP, STRUCTURAL SUPPORT, AND SUBSTRATE CONDITIONS.
  - G.C. TO COORDINATE WITH OWNER PROVIDED EQUIPMENT AND SUBMIT CUT SHEET TO FABRICATOR PRIOR TO FABRICATION FOR DIMENSIONS, POWER, AND DATA REQUIREMENTS.
  - G.C. TO ENSURE ALL MILLWORK NOT BUILT IN ON THREE SIDES TO BE CONSTRUCTED TO BE ABLE TO SUPPORT 250LBS MINIMUM IN ALL DIRECTIONS.
  - WOOD VENEER MILLWORK TO HAVE SOLID WOOD EDGE BANDING.
  - REFER TO FINISH SCHEDULES AND SPECIFICATIONS FOR ALL FINISHES AND FF&E.
  - G.C. TO SUBMIT SHOP DRAWINGS FOR REVIEW.



**2 FRONT DESK- BACK ELEVATION**  
SCALE: 1/2" = 1'-0"

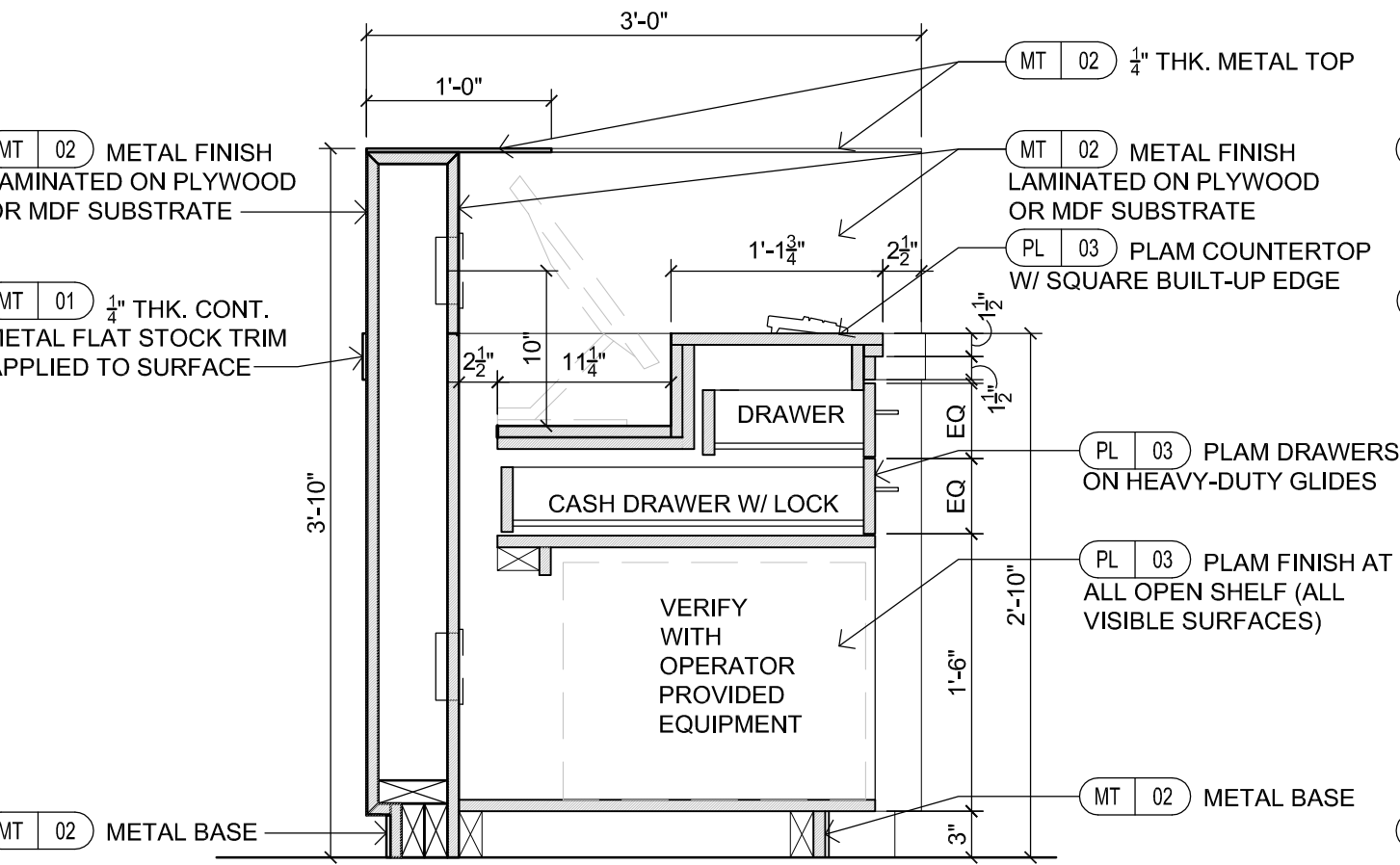


**3 FRONT DESK - FRONT ELEVATION**  
SCALE: 1/2" = 1'-0"

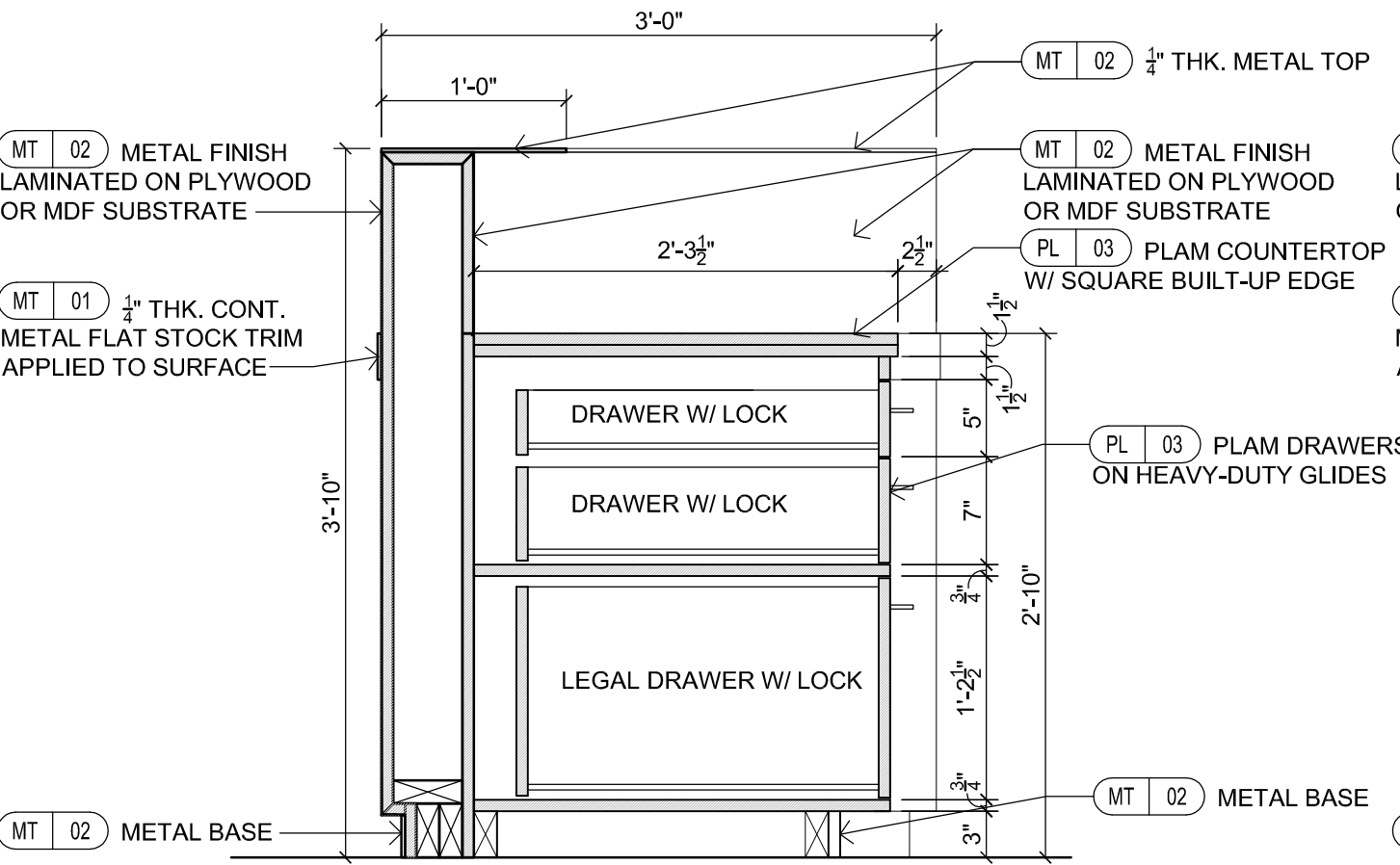
- FRONT DESK**
- HARDWARE AND ELECTRICAL NOTES:**
- ALL HARDWARE TO BE HEAVY-DUTY FOR COMMERCIAL USE
  - PROVIDE SOFT CLOSE CONCEALED HINGES AND DRAWER GLIDES, TYP.
  - ALL INTERIOR CABINET HARDWARE SHALL BE MATTE BLACK FINISH
  - ALL EXPOSED DEVICES ABOVE WORK SURFACE SHALL BE BLACK W/SATIN BRASS COVERPLATES TO MATCH ADJACENT FINISH
  - ALL DEVICES BELOW COUNTERTOP SHALL BE BLACK W/BLACK COVERPLATES
  - COORDINATE ALL CUTOUTS IN BASE CABINETS/SHELVING FOR POWER/TEL/DATA, TYP.
- CABINET PULLS:**  
8" BAR PULL BY RICHELIEU # BP205596900  
FINISH: MATTE BLACK

**1 FRONT DESK & SCREEN WALL ELEVATION**  
SCALE: 1/2" = 1'-0"

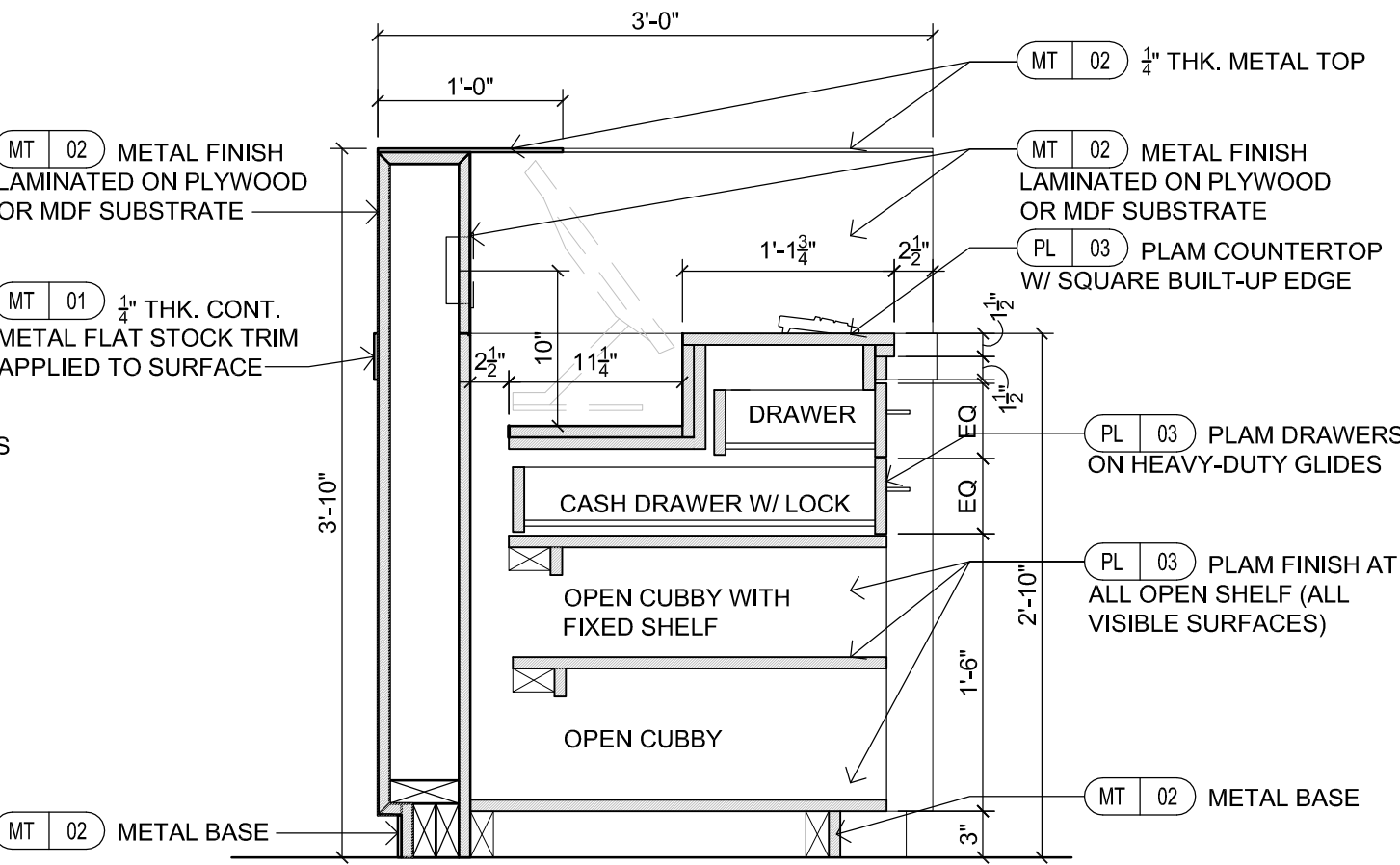
**4 FRONT DESK- SIDE ELEVATION**  
SCALE: 1/2" = 1'-0"



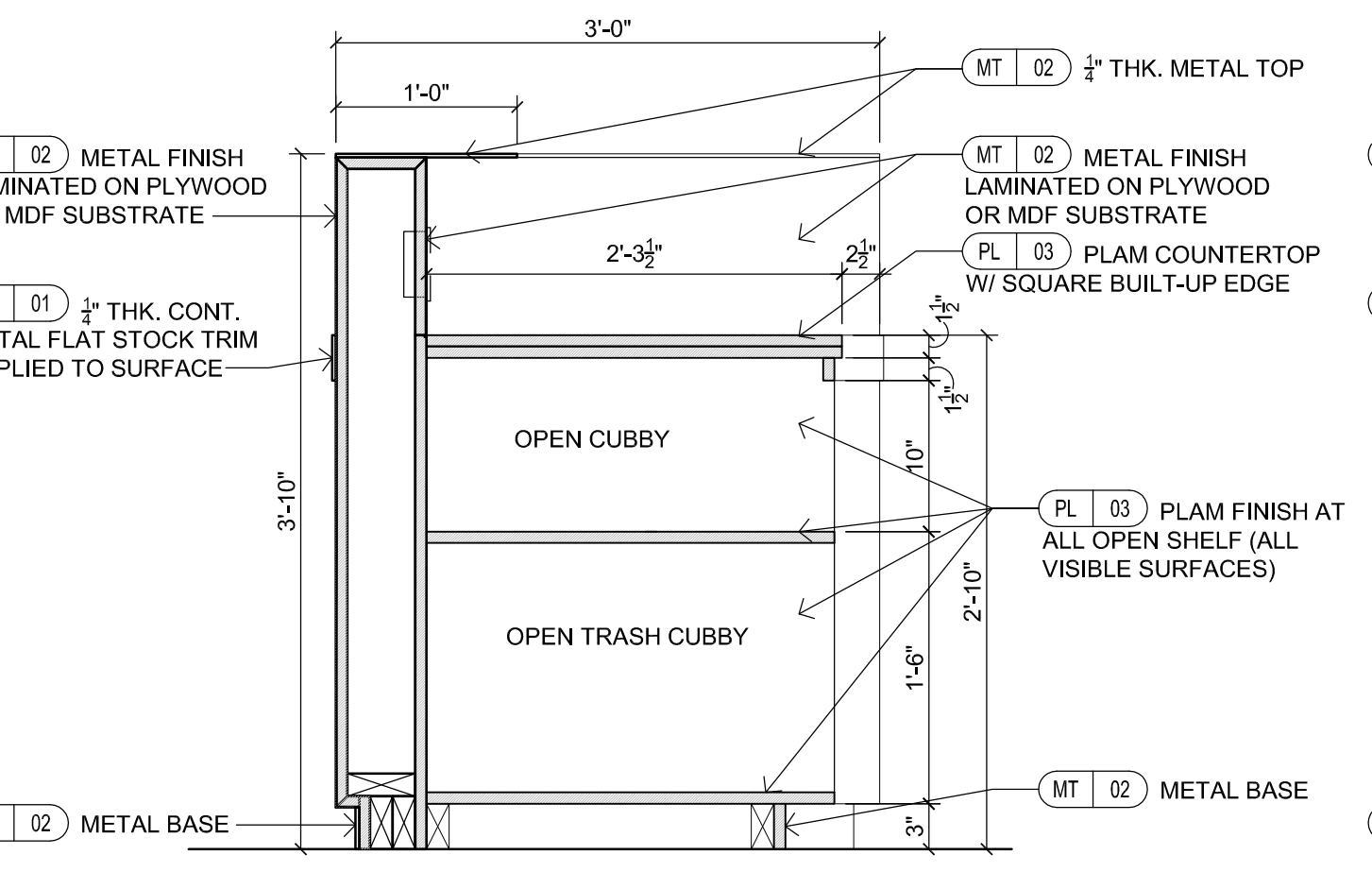
**5 FRONT DESK- SECTION DETAIL**  
SCALE: 1" = 1'-0"



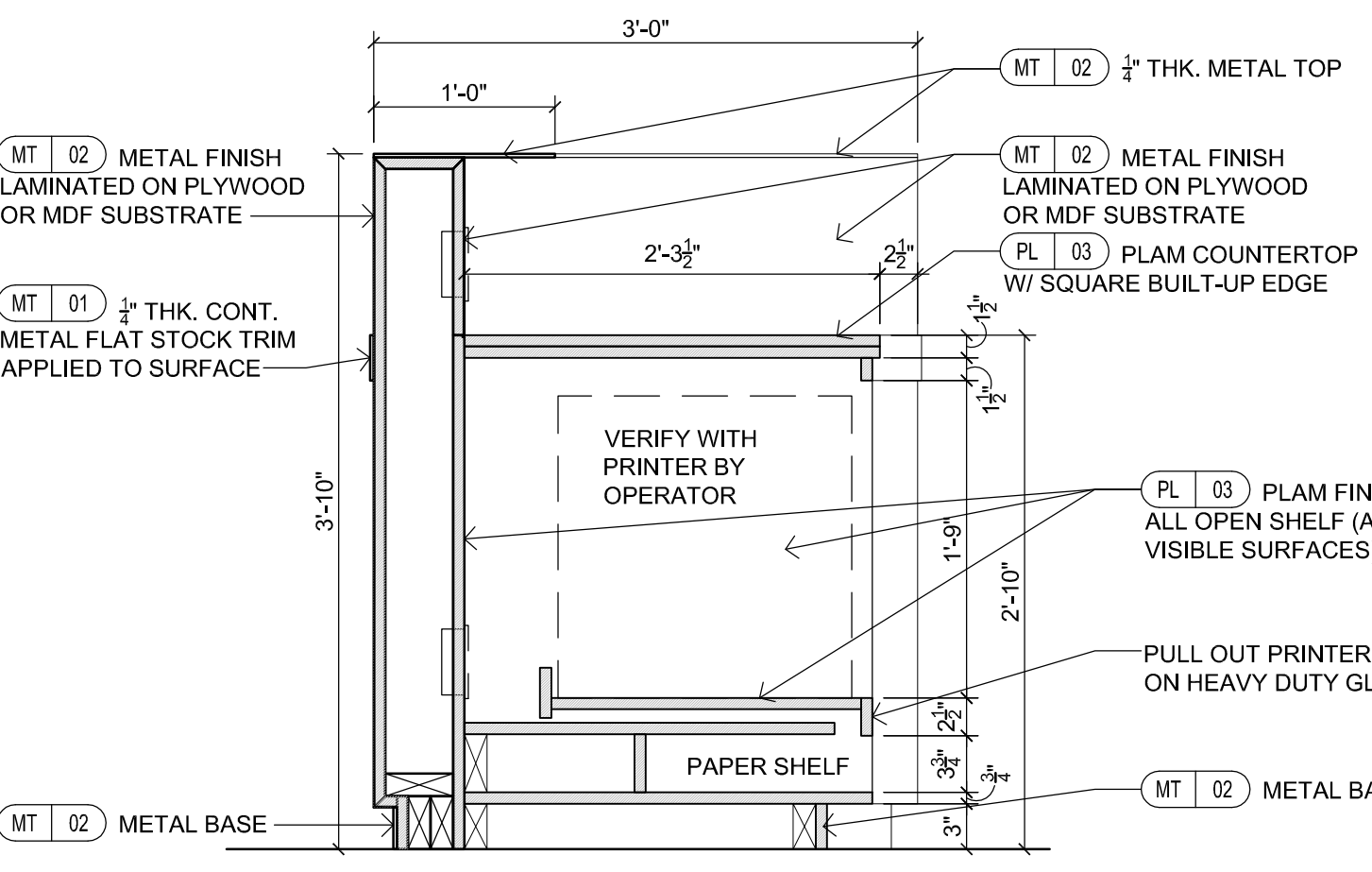
**6 FRONT DESK- SECTION DETAIL**  
SCALE: 1" = 1'-0"



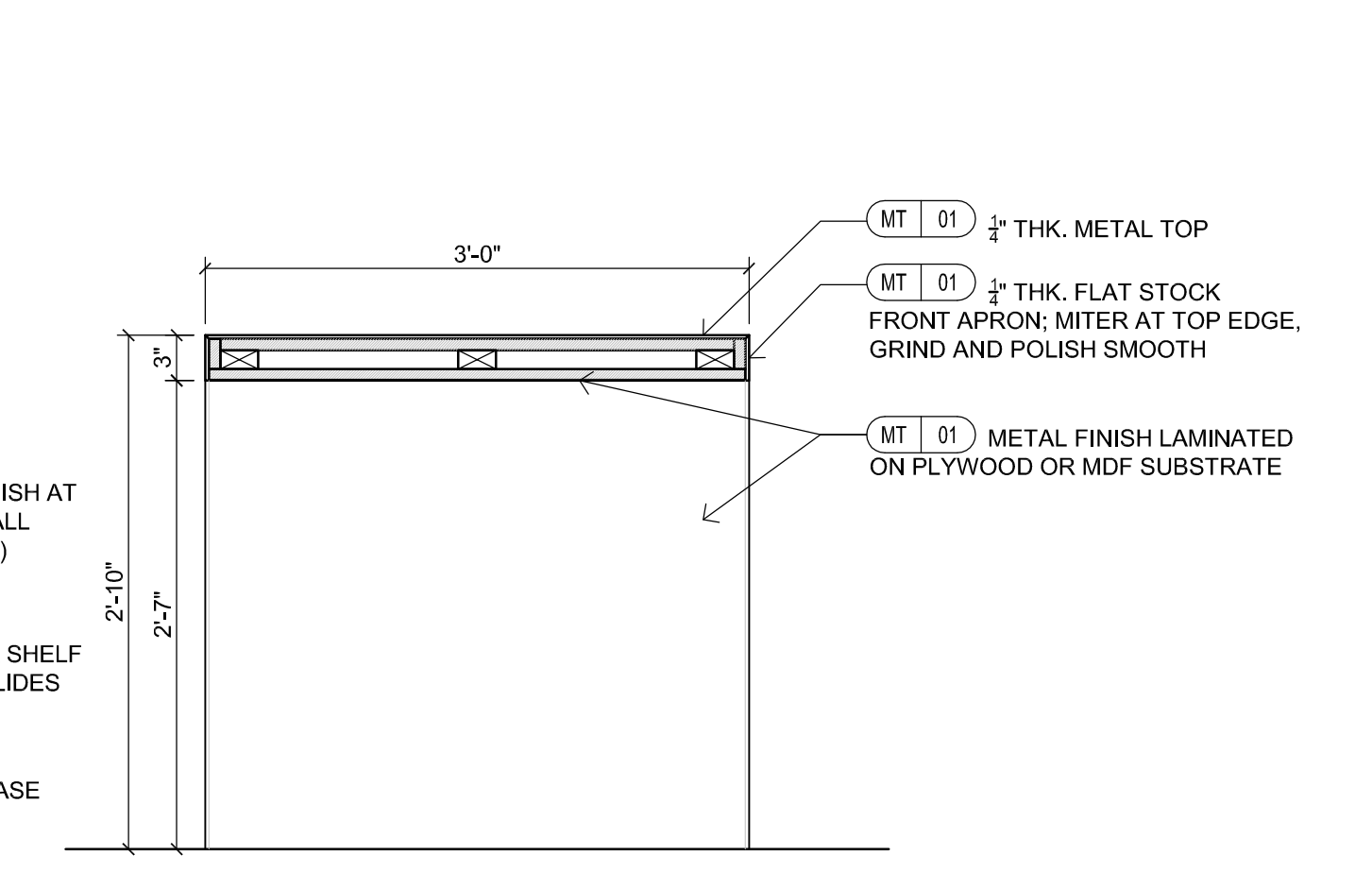
**7 FRONT DESK- SECTION DETAIL**  
SCALE: 1" = 1'-0"



**8 FRONT DESK- SECTION DETAIL**  
SCALE: 1" = 1'-0"



**9 FRONT DESK- SECTION DETAIL**  
SCALE: 1" = 1'-0"



**10 FRONT DESK- SECTION DETAIL**  
SCALE: 1" = 1'-0"