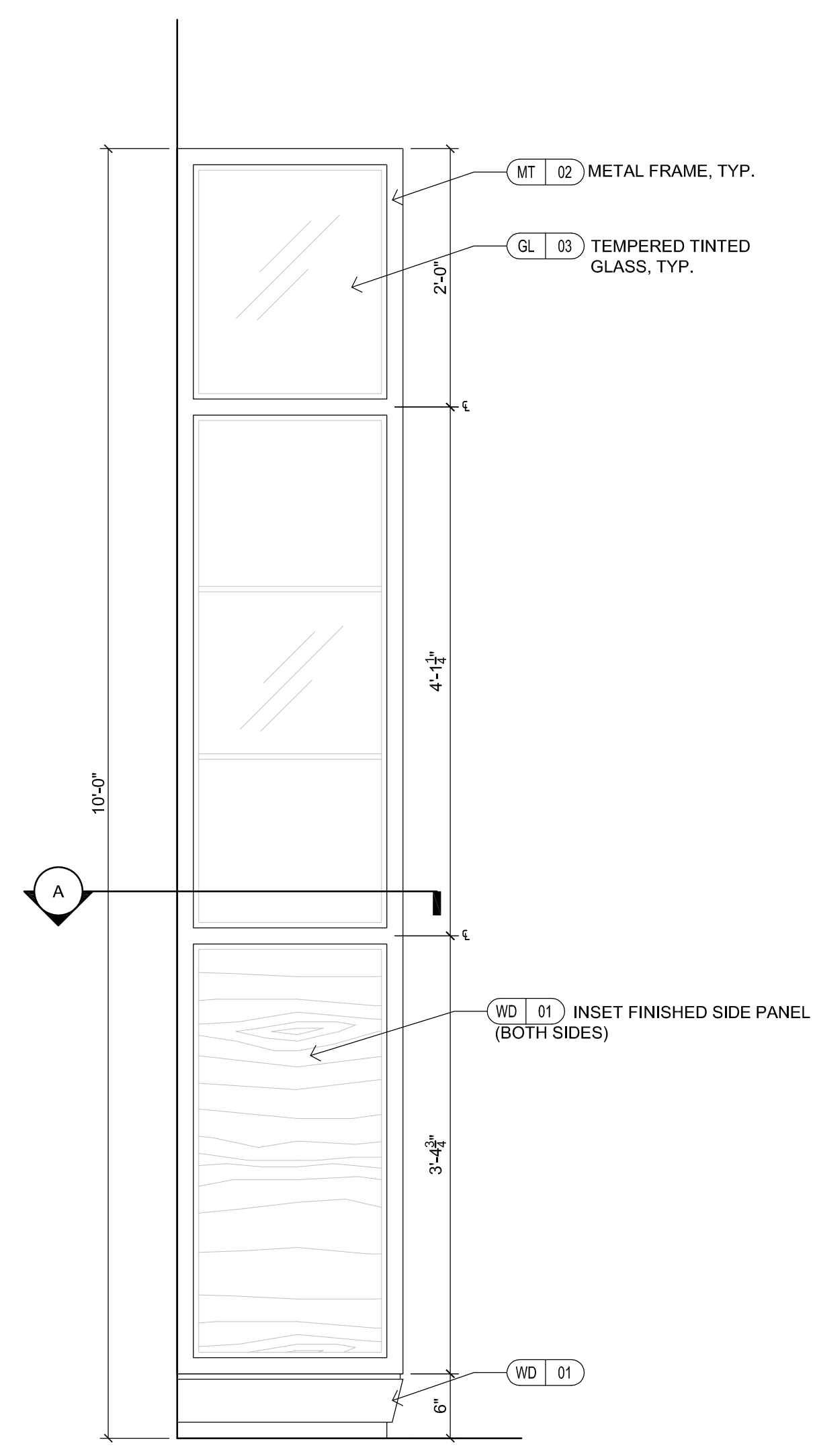


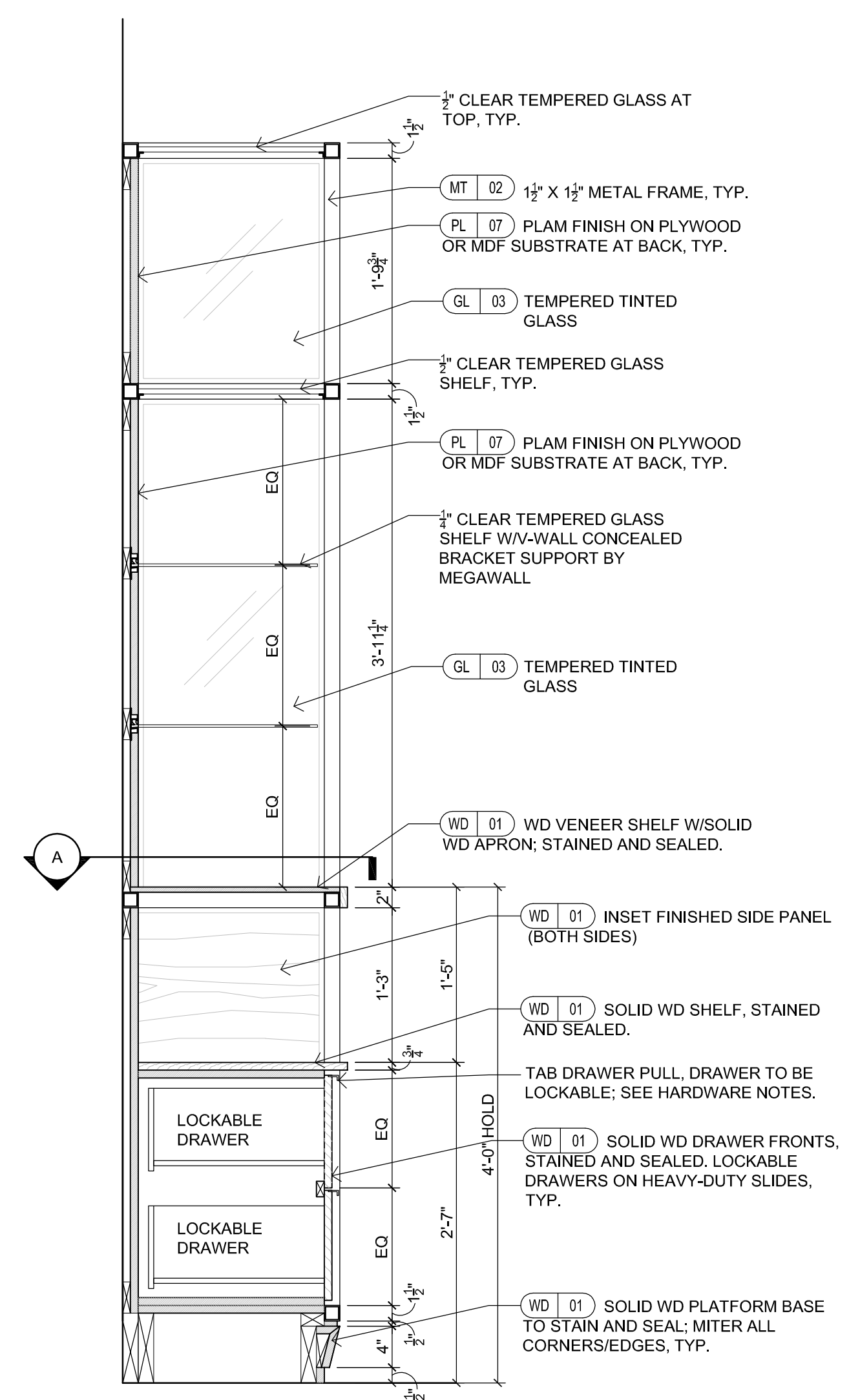
A DISPLAY SHELVES- PLAN DETAIL
SCALE: 1"=1'-0"

- GENERAL MILLWORK NOTES:**
- MILLWORK DETAILS ARE SHOWN FOR DESIGN INTENT ONLY. FABRICATOR SHALL BE RESPONSIBLE FOR CONSTRUCTION DETAILS AND ATTACHMENT TO WORK BY OTHERS.
 - G.C. TO COORDINATE SCOPE OF ALL TRADES INCLUDING BUT NOT LIMITED TO MEP, STRUCTURAL SUPPORT, AND SUBSTRATE CONDITIONS.
 - G.C. TO COORDINATE WITH OWNER PROVIDED EQUIPMENT AND SUBMIT CUT SHEET TO FABRICATOR PRIOR TO FABRICATION FOR DIMENSIONS, POWER, AND DATA REQUIREMENTS.
 - G.C. TO ENSURE ALL MILLWORK NOT BUILT IN ON THREE SIDES TO BE CONSTRUCTED TO BE ABLE TO SUPPORT 250LBS MINIMUM IN ALL DIRECTIONS.
 - WOOD VENEER MILLWORK TO HAVE SOLID WOOD EDGE BANDING.
 - REFER TO FINISH SCHEDULES AND SPECIFICATIONS FOR ALL FINISHES AND FF&E.
 - G.C. TO SUBMIT SHOP DRAWINGS FOR REVIEW.

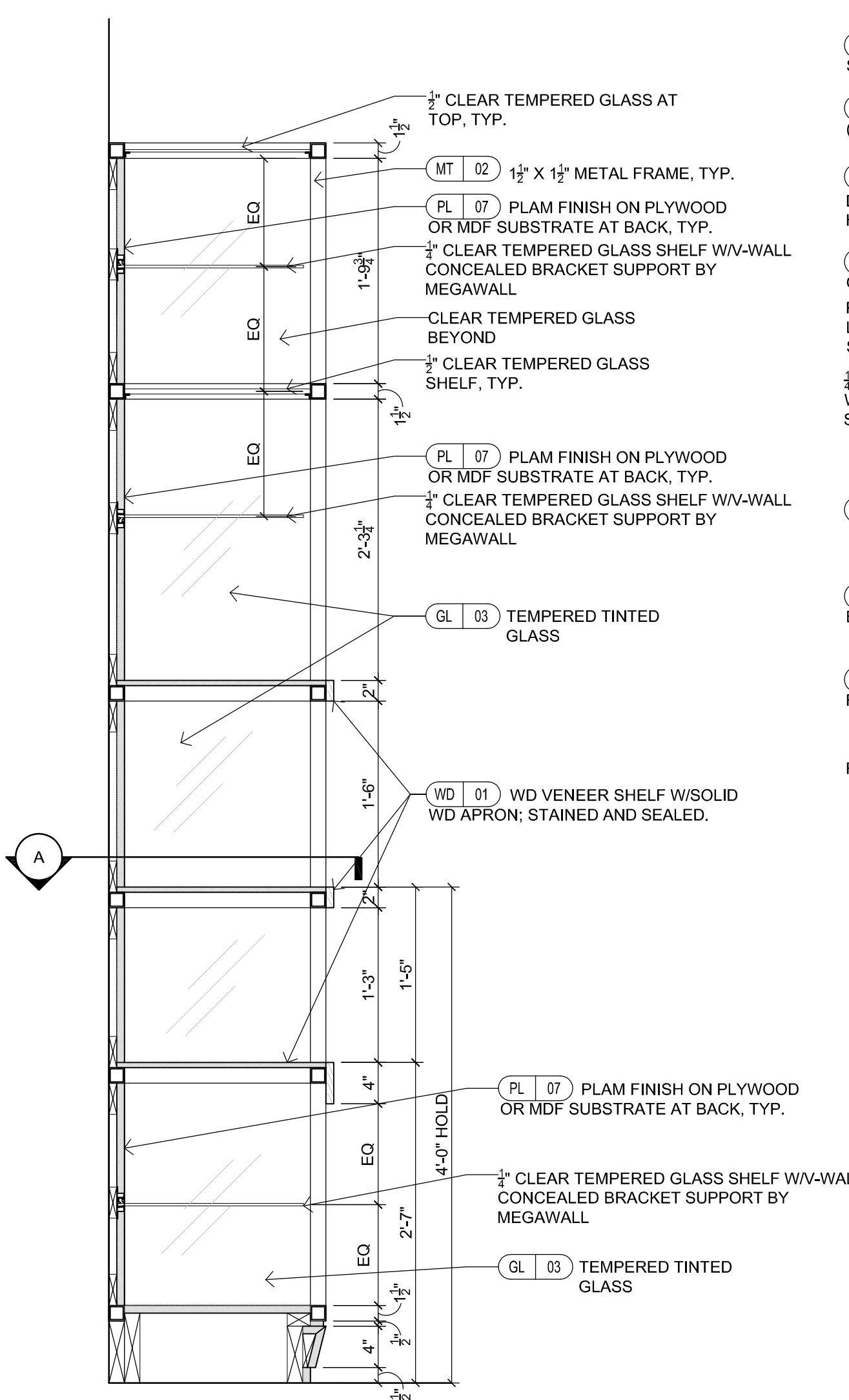
- MARKET**
- HARDWARE AND ELECTRICAL NOTES:**
- ALL HARDWARE TO BE HEAVY-DUTY FOR COMMERCIAL USE
 - PROVIDE SOFT CLOSE CONCEALED HINGES AND DRAWER GLIDES, TYP.
 - ALL INTERIOR CABINET HARDWARE SHALL BE SATIN BRASS FINISH
 - ALL ELECTRICAL DEVICES WITHIN MILLWORK TO BE BLACK W/BLACK COVERPLATES
 - PROVIDE MAGNETIC PUSH LATCHES AT UPPER CABINET DOORS, TYP. FINISH: SATIN BRASS
- SHELF SUPPORTS:**
V-WALL BY MEGAWALL; GC TO COORDINATE W/TEMPERED GLASS SHELVES AND LAMINATE WALL PANELS
- CABINET PULL @ AMENITIES DOOR:**
GLASS MOUNTED 6" BAR PULL BY TBD, FINISH: SATIN BRASS
- DRAWER TAB FINGER PULL:**
DP3A 3" TAB DRAWER PULL BY MCKETT (OR EQUAL), FINISH: POLISHED BRASS



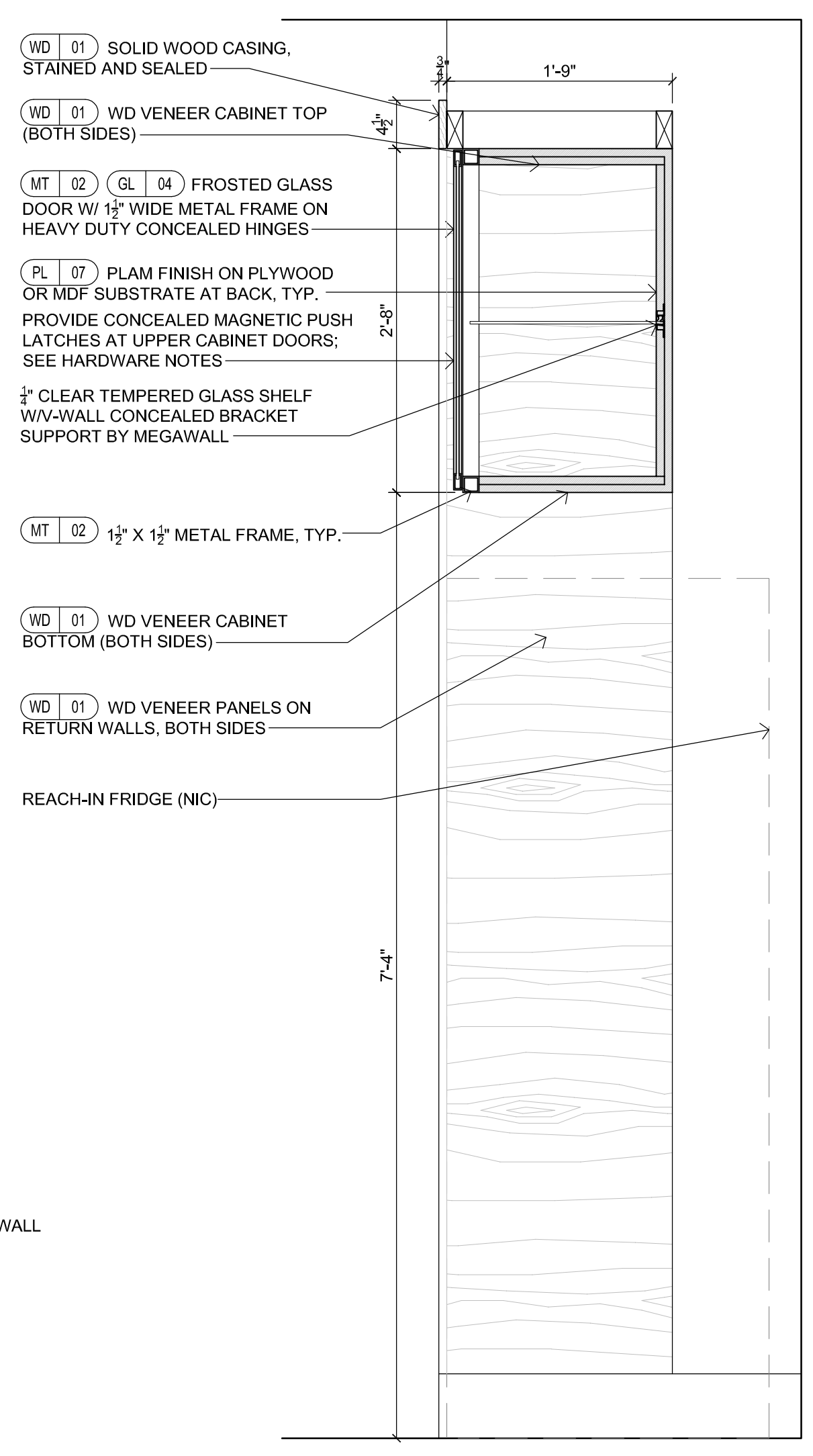
1 DISPLAY SHELVES- ELEVATION DETAIL
SCALE: 1"=1'-0"



2 DISPLAY SHELVES- SECTION DETAIL
SCALE: 1"=1'-0"



3 DISPLAY SHELVES- SECTION DETAIL
SCALE: 1"=1'-0"



4 REACH-IN SURROUND/CABINET- SECTION DETAIL
SCALE: 1"=1'-0"

REVISION:

ISSUED:
08-12-16 FOUNDATION & STEEL PERMIT
10-18-16 60% MARRIOTT REVIEW
05-19-17 90% MARRIOTT REVIEW

project architect: KAK
drawn by: JMC

INTERIOR
DETAILS
LOBBY & LOUNGE

sheet number:
A9.01b