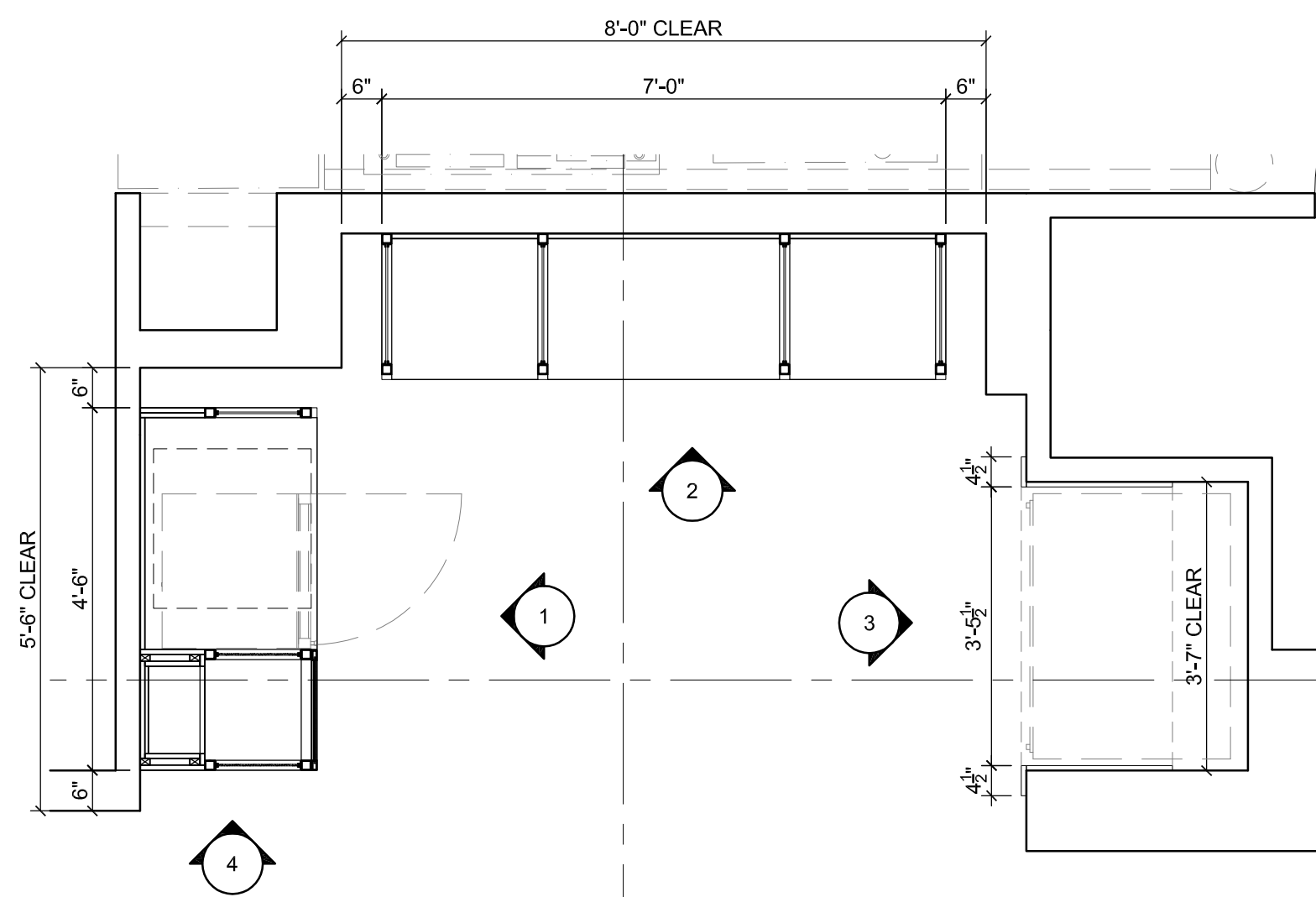
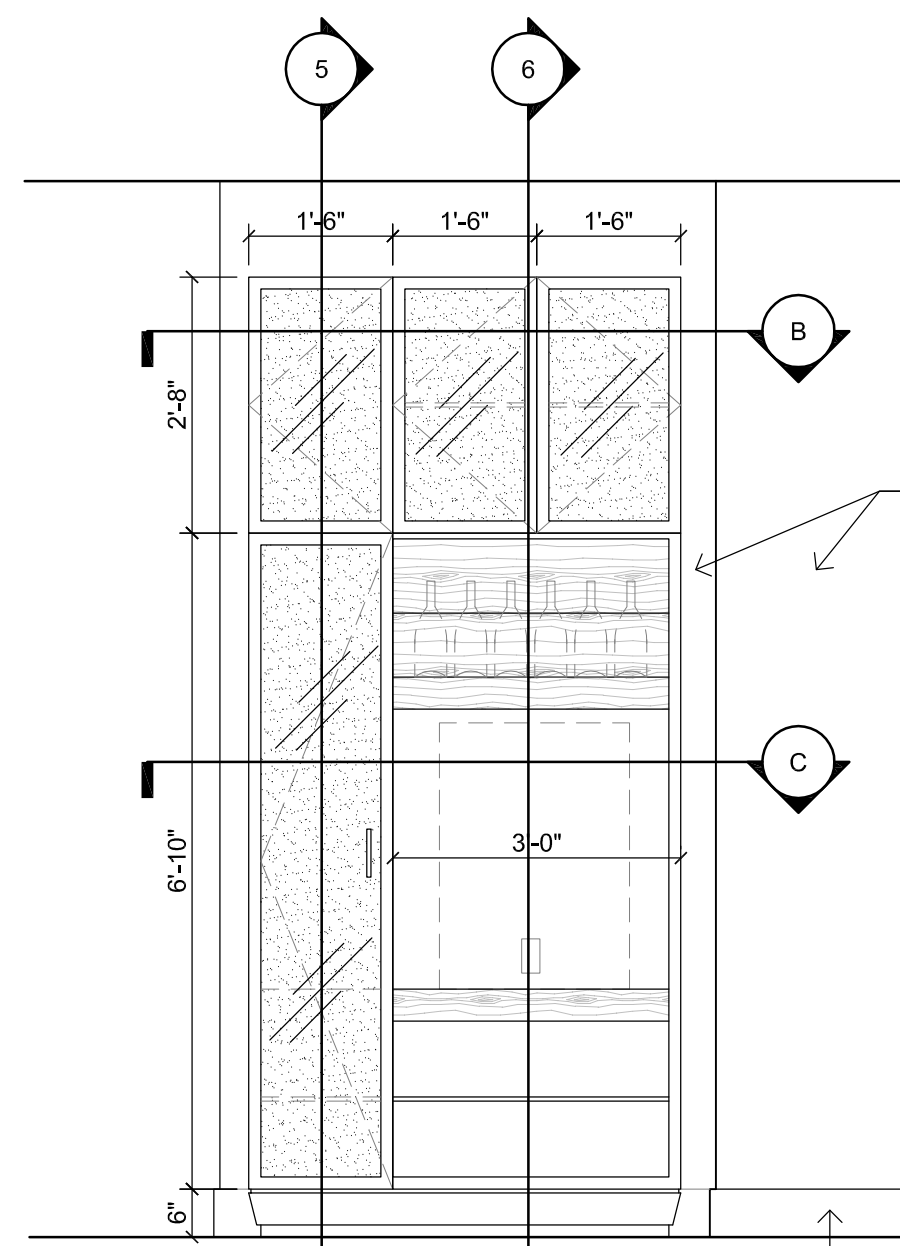


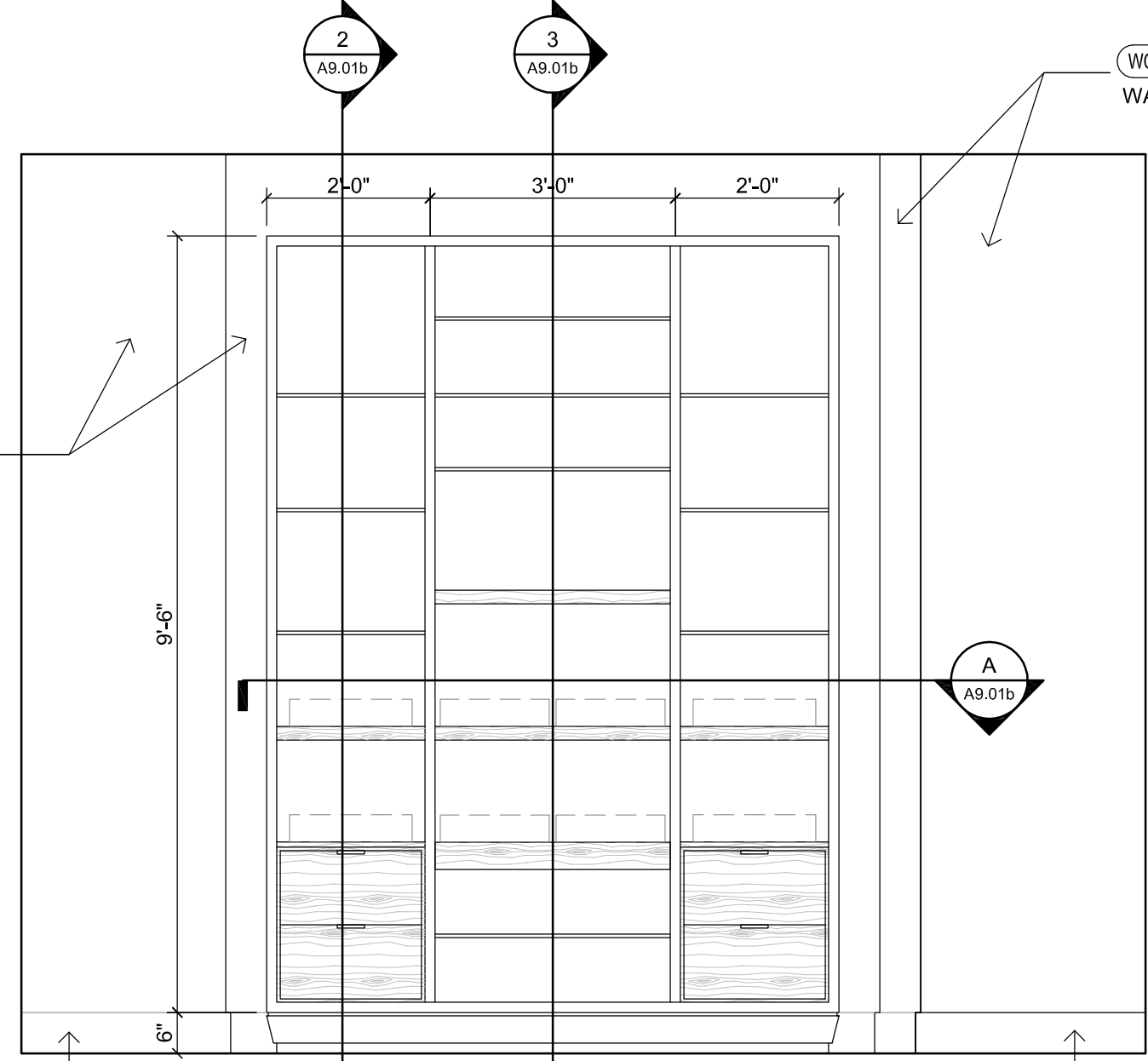
SEE SHEET A9.01b
FOR GENERAL
MILLWORK NOTES.



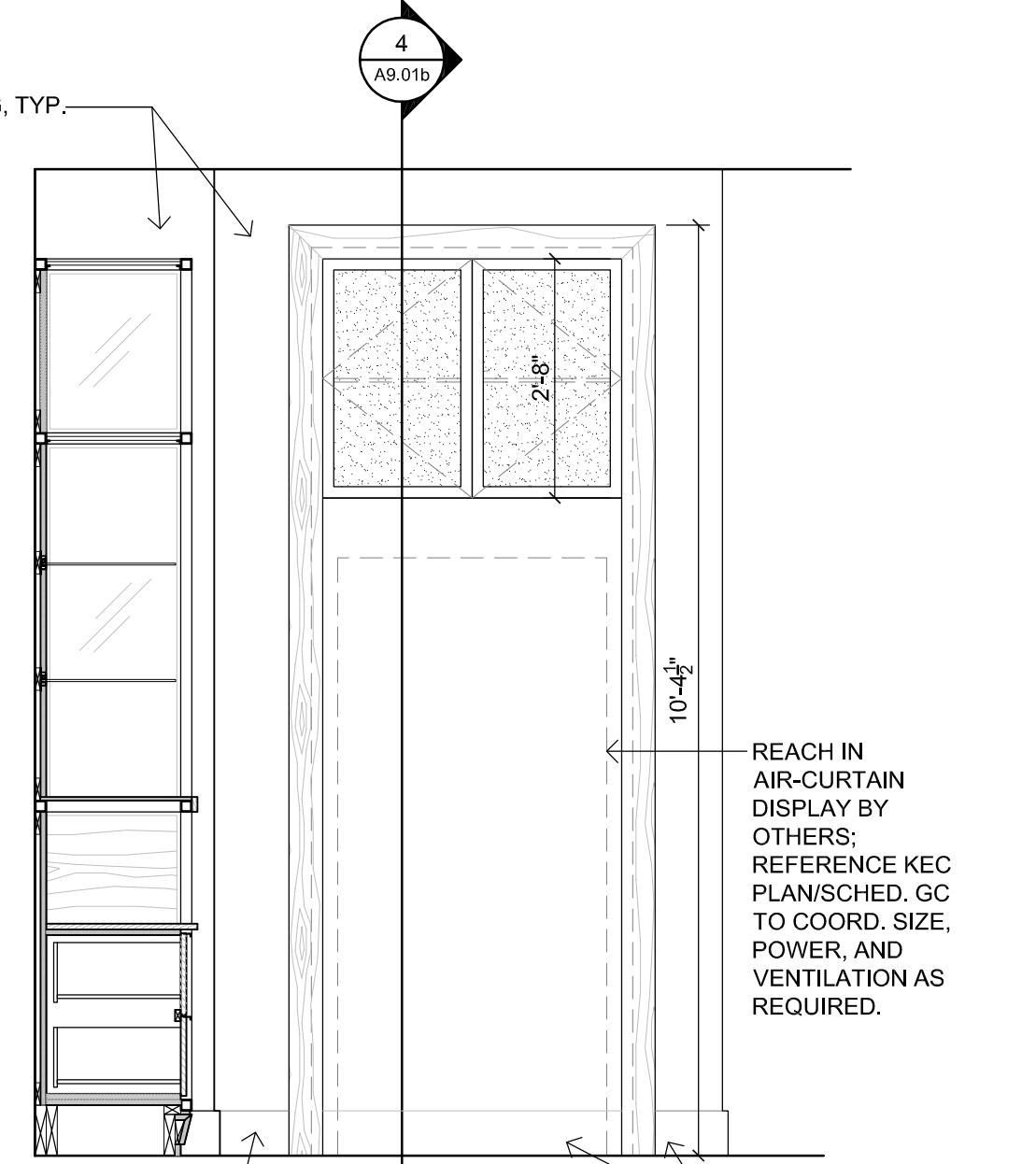
MARKET- ENL. PLAN
SCALE: 1/2" = 1'-0"



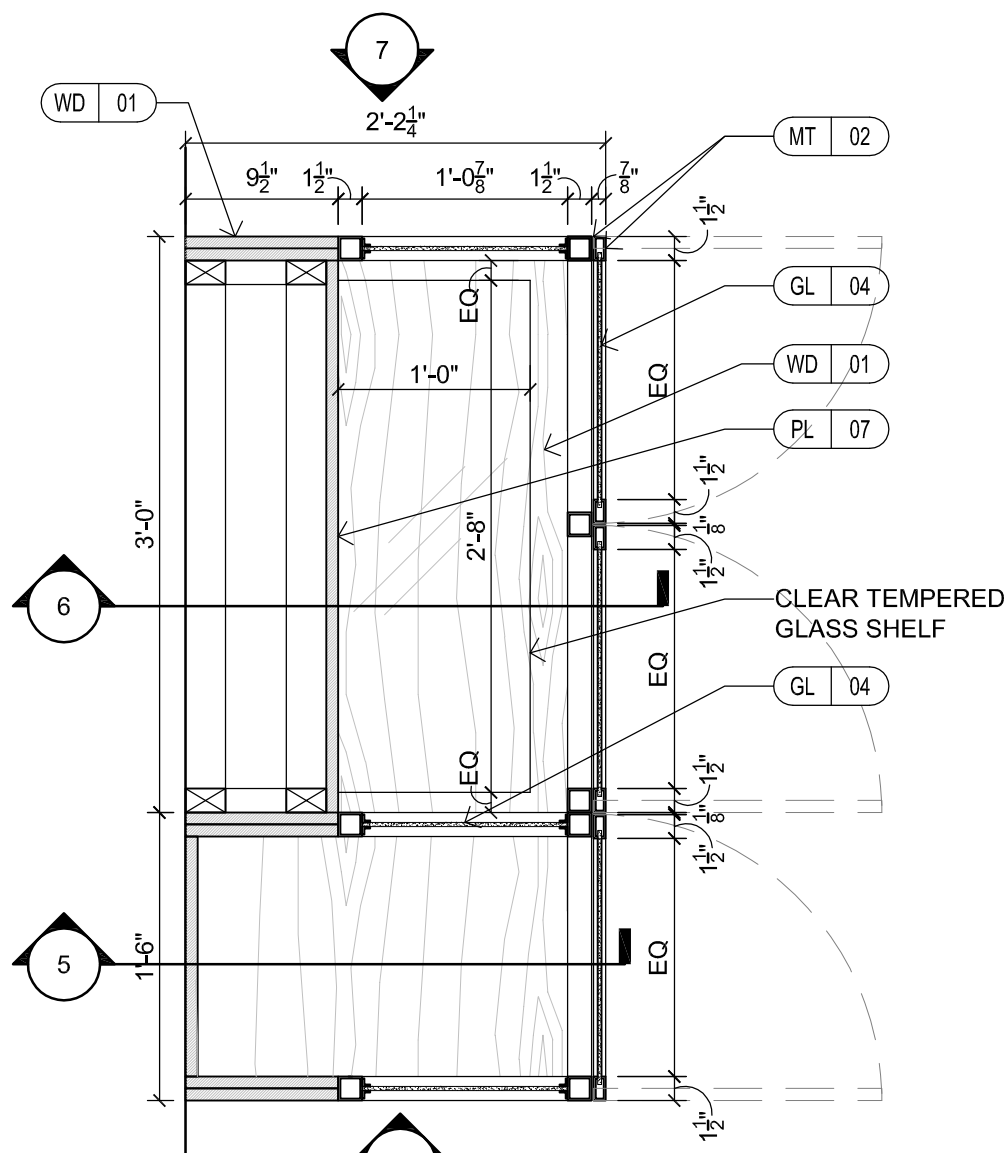
MARKET- ENL. PLAN
SCALE: 1/2" = 1'-0"



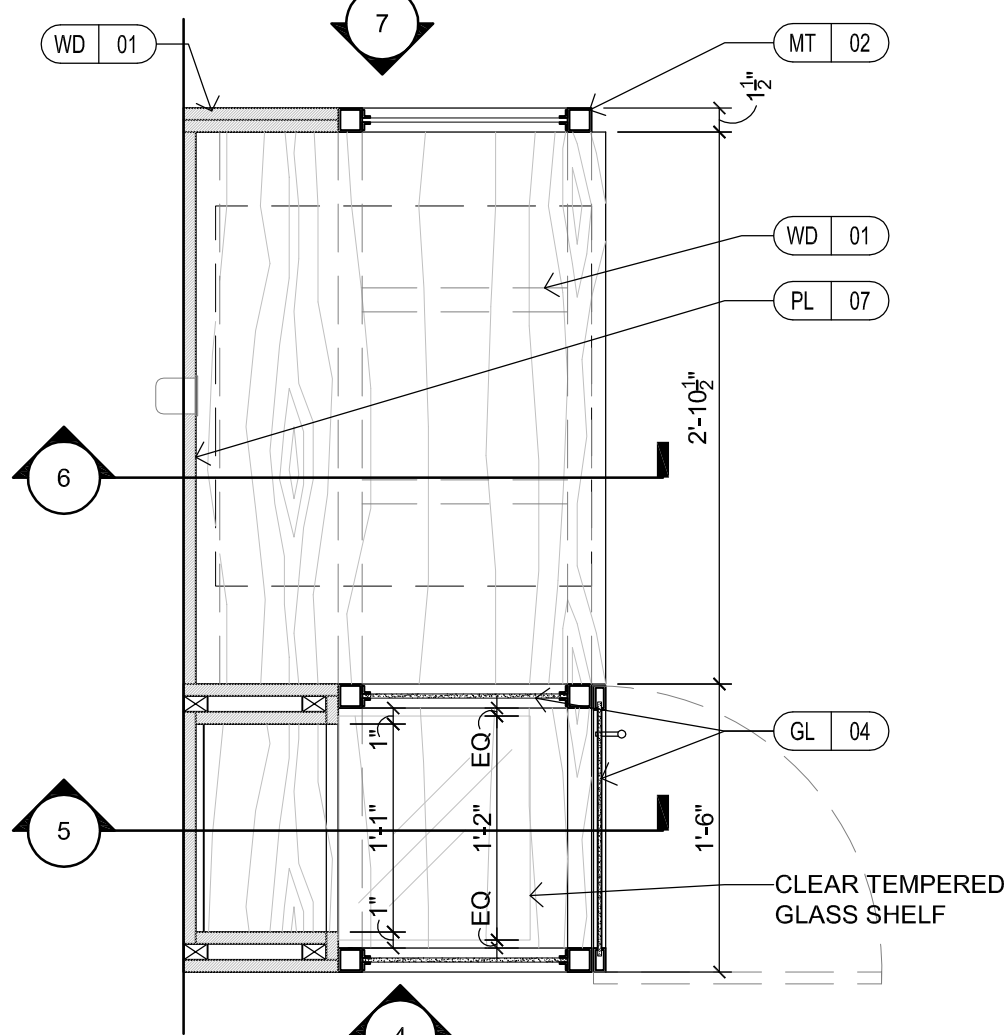
MARKET- ENL. PLAN
SCALE: 1/2" = 1'-0"



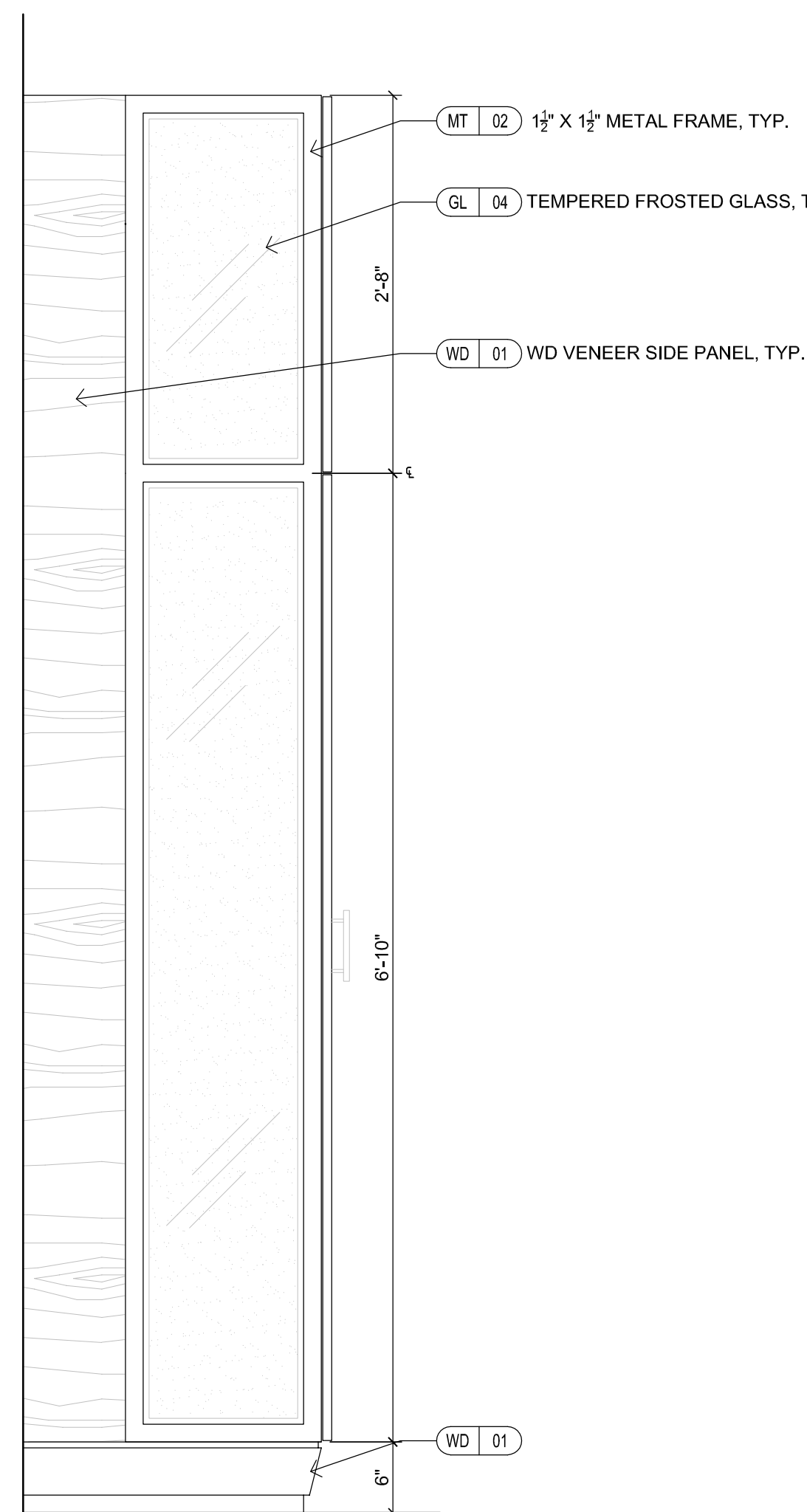
MARKET- ENL. PLAN
SCALE: 1/2" = 1'-0"



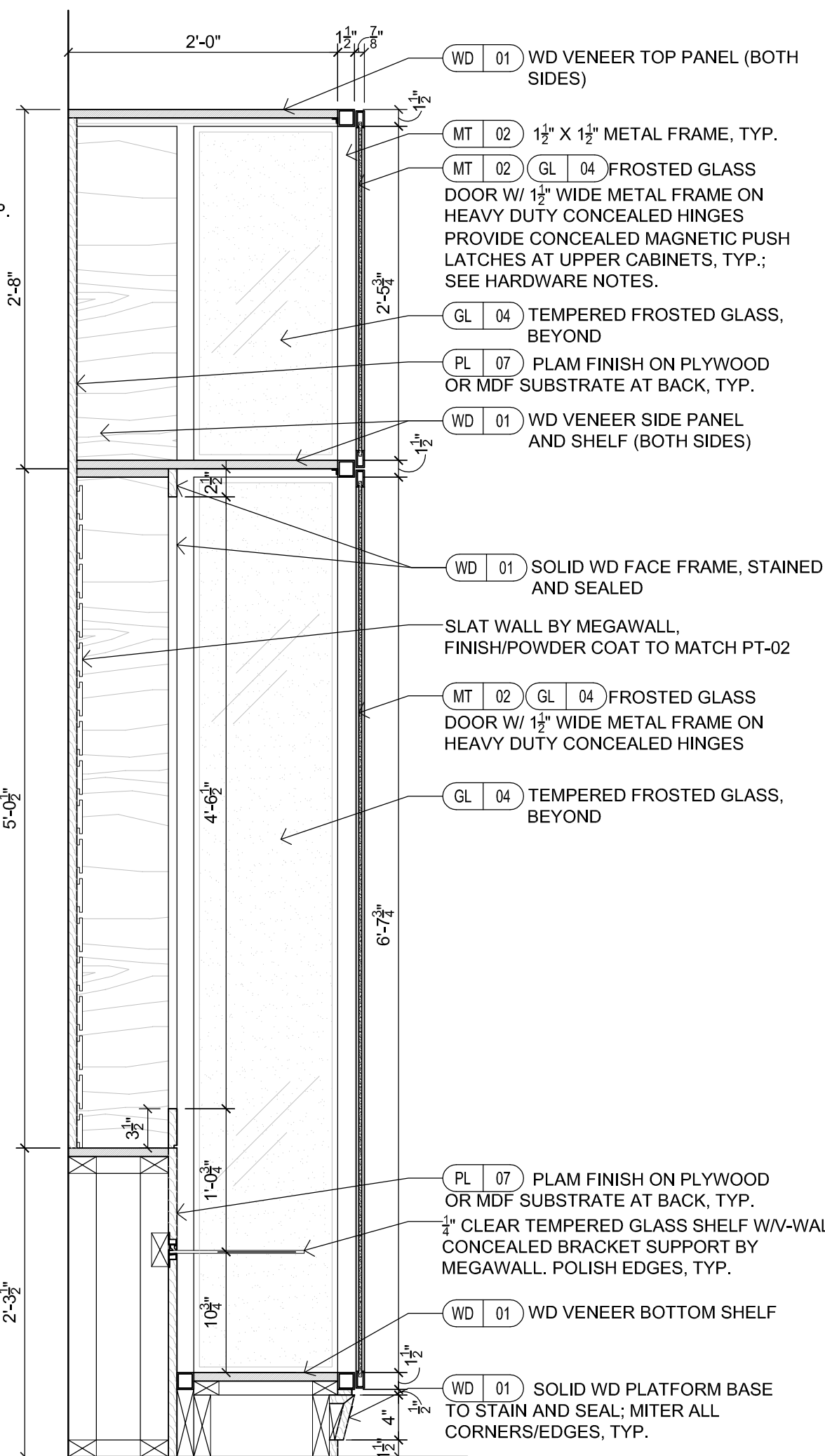
AMENITIES CABINET- PLAN SECTION
SCALE: 1" = 1'-0"



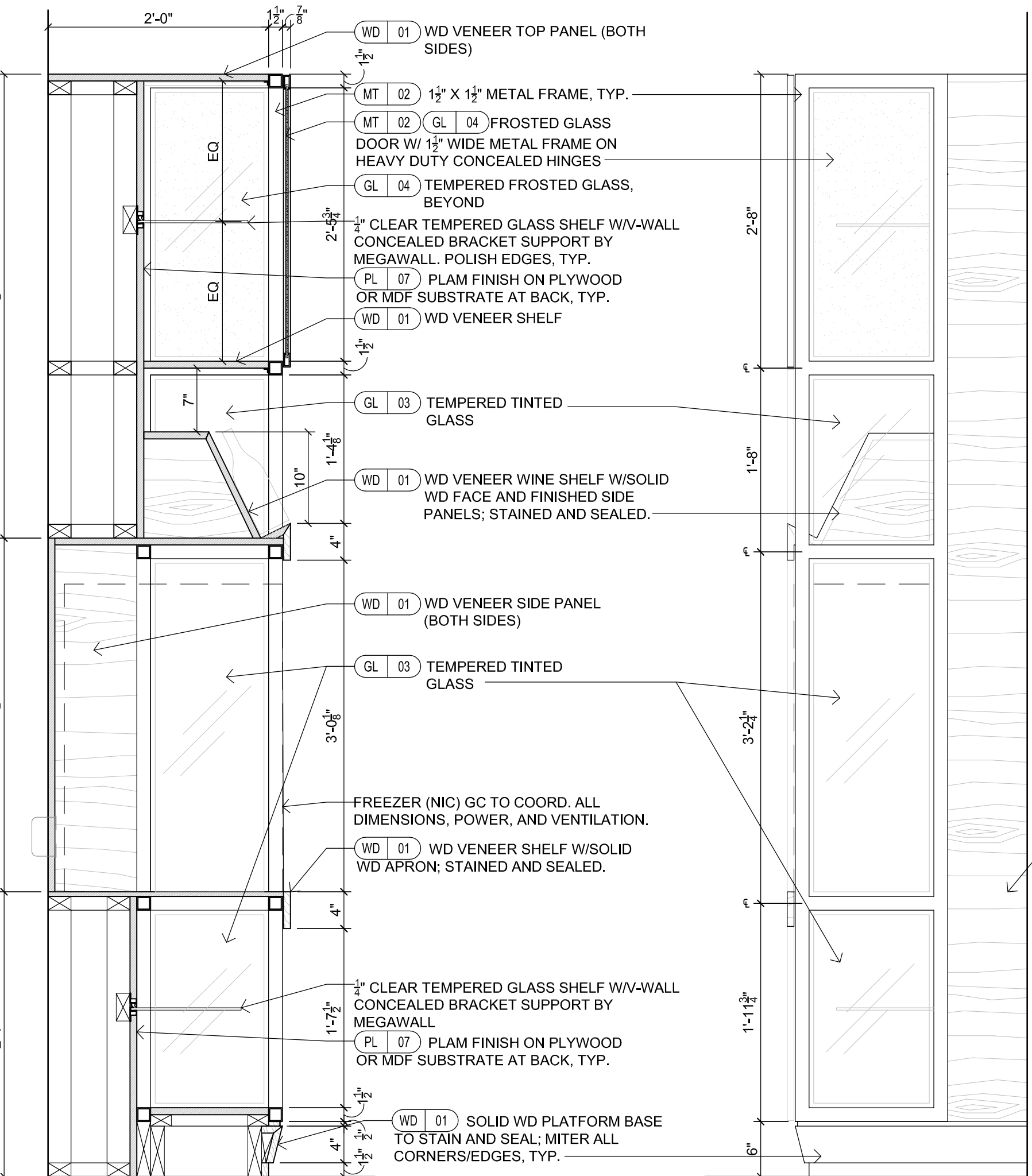
AMENITIES CABINET- PLAN SECTION
SCALE: 1" = 1'-0"



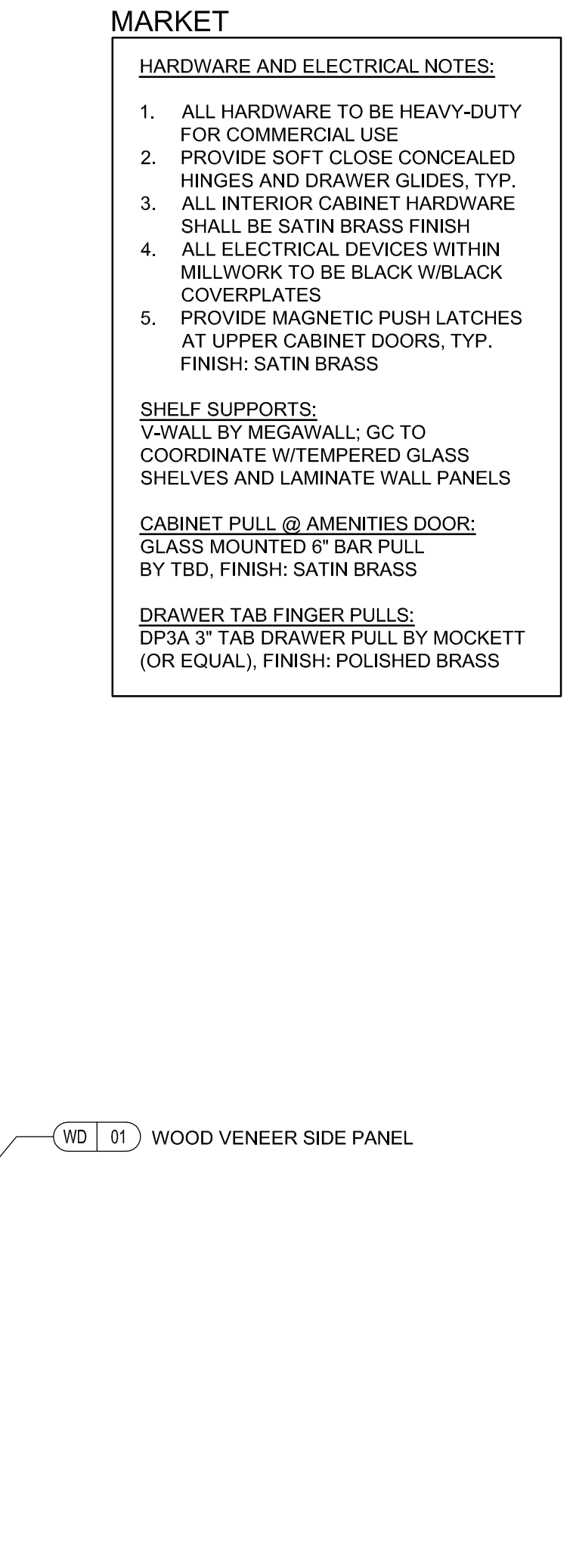
AMENITIES CABINET- SIDE ELEVATION DETAIL
SCALE: 1" = 1'-0"



AMENITIES CABINET- SECTION DETAIL
SCALE: 1" = 1'-0"



AMENITIES CABINET- SECTION DETAIL
SCALE: 1" = 1'-0"



AMENITIES CABINET- SIDE ELEVATION DETAIL
SCALE: 1" = 1'-0"

MARKET

HARDWARE AND ELECTRICAL NOTES:

1. ALL HARDWARE TO BE HEAVY-DUTY FOR COMMERCIAL USE
2. PROVIDE SOFT CLOSE CONCEALED HINGES AND DRAWER GLIDES, TYP.
3. ALL INTERIOR CABINET HARDWARE SHALL BE SATIN BRASS FINISH
4. ALL ELECTRICAL DEVICES WITHIN MILLWORK TO BE BLACK W/BLACK COVERPLATES
5. PROVIDE MAGNETIC PUSH LATCHES AT UPPER CABINET DOORS, TYP. FINISH: SATIN BRASS

SHELF SUPPORTS:
V-WALL BY MEGAWALL; GC TO COORDINATE W/TEMPERED GLASS SHELVES AND LAMINATE WALL PANELS

CABINET PULL @ AMENITIES DOOR:
GLASS MOUNTED 6" BAR PULL BY TBD, FINISH: SATIN BRASS

DRAWER TAB FINGER PULL:
DP3A 3" TAB DRAWER PULL BY MCKETT (OR EQUAL), FINISH: POLISHED BRASS