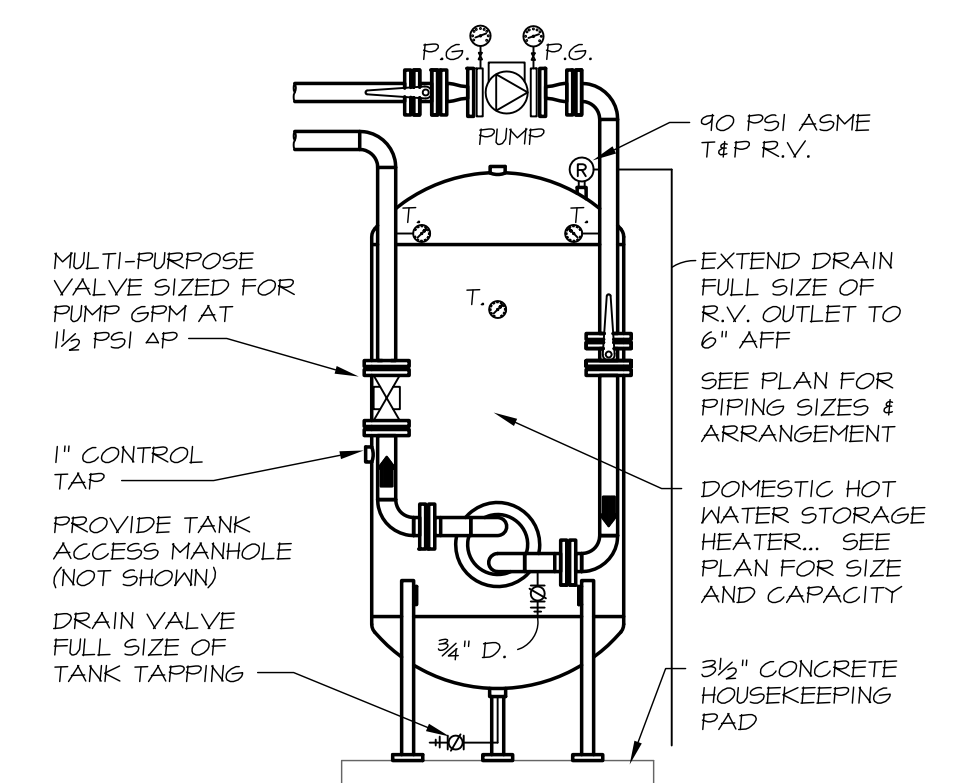
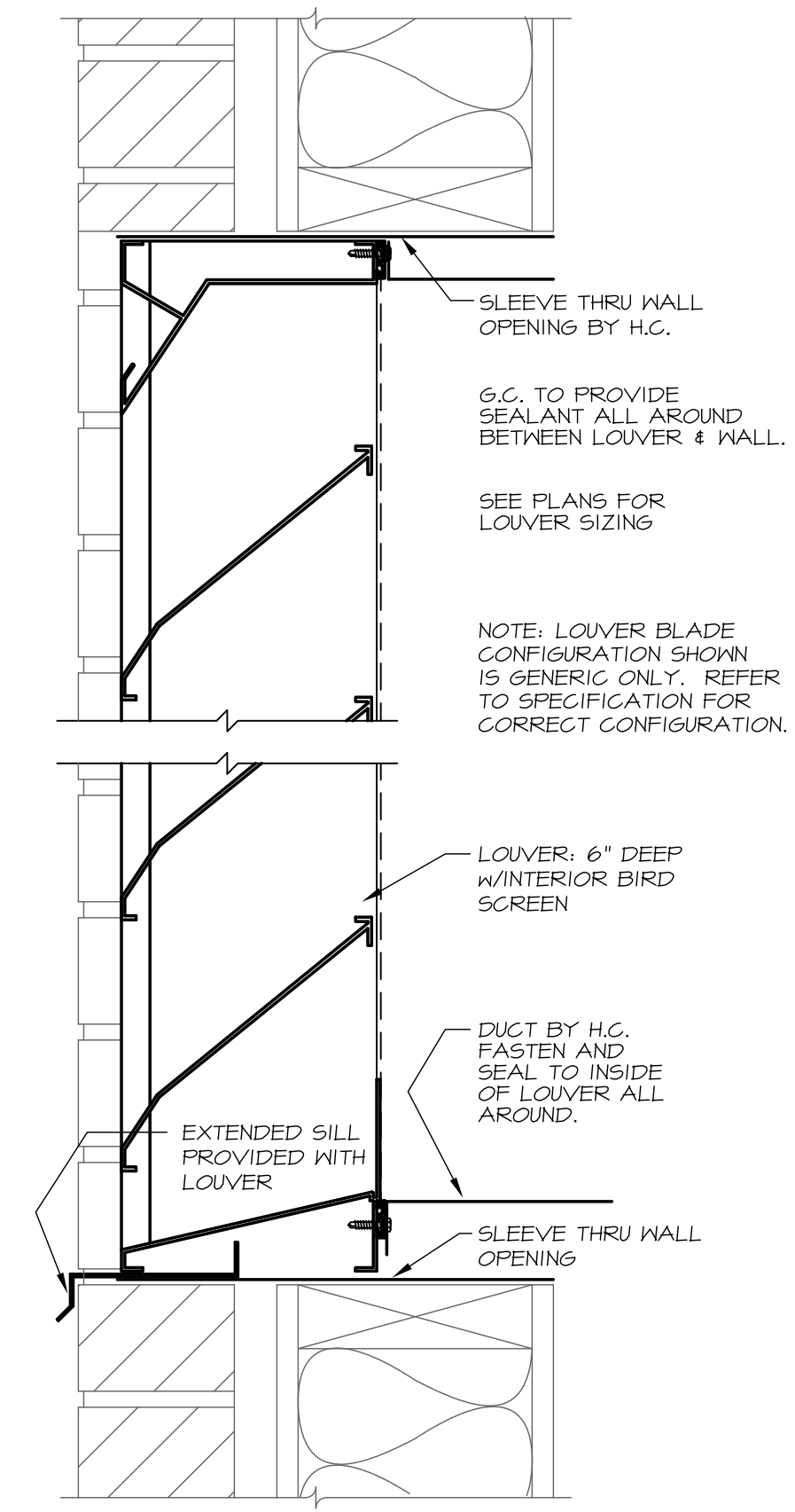


DO NOT USE AUTOMATIC VENTS ON GLYCOL PIPING. USE ONLY MANUAL VENTS AND DRAIN TO PLASTIC CONTAINERS FOR PROPER DISPOSAL.

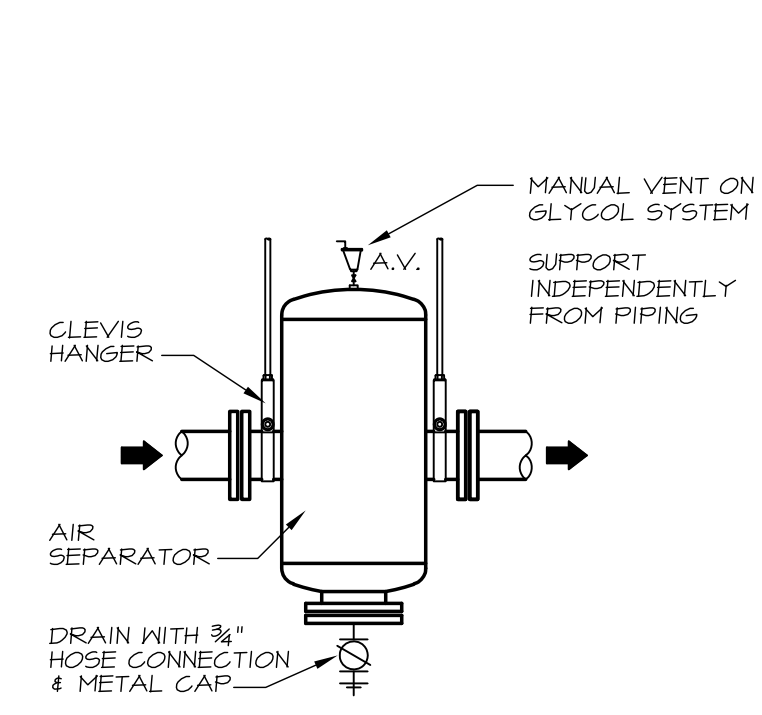


8 STORAGE WATER HEATER DETAIL
 NO SCALE

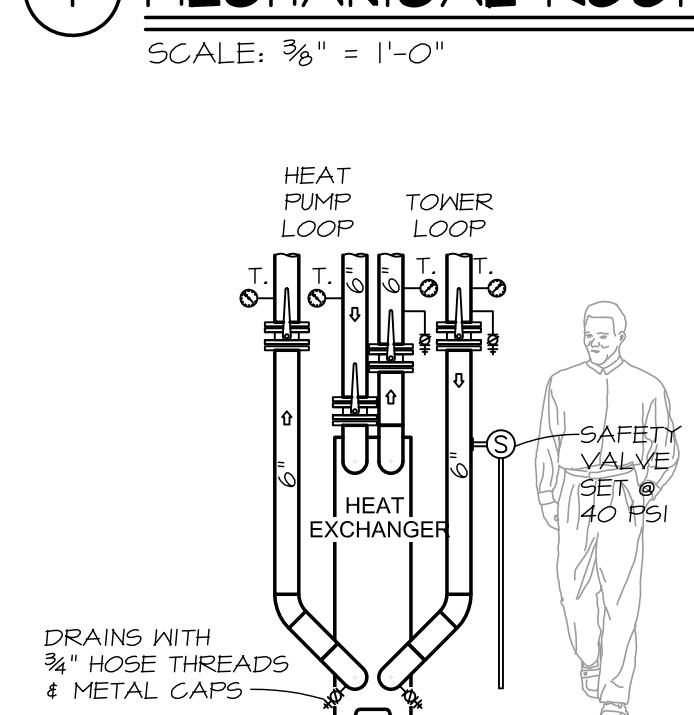


9 EXTERIOR LOUVER DETAIL FOR MASONRY WALLS
 NO SCALE

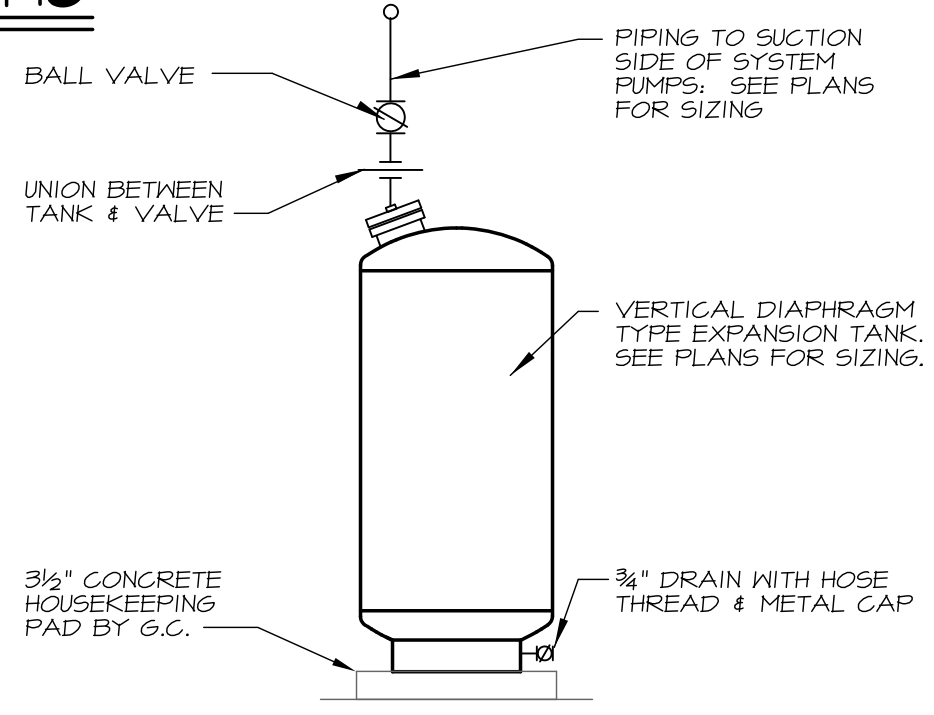
1 MECHANICAL ROOM IMC
 SCALE: 3/8" = 1'-0"



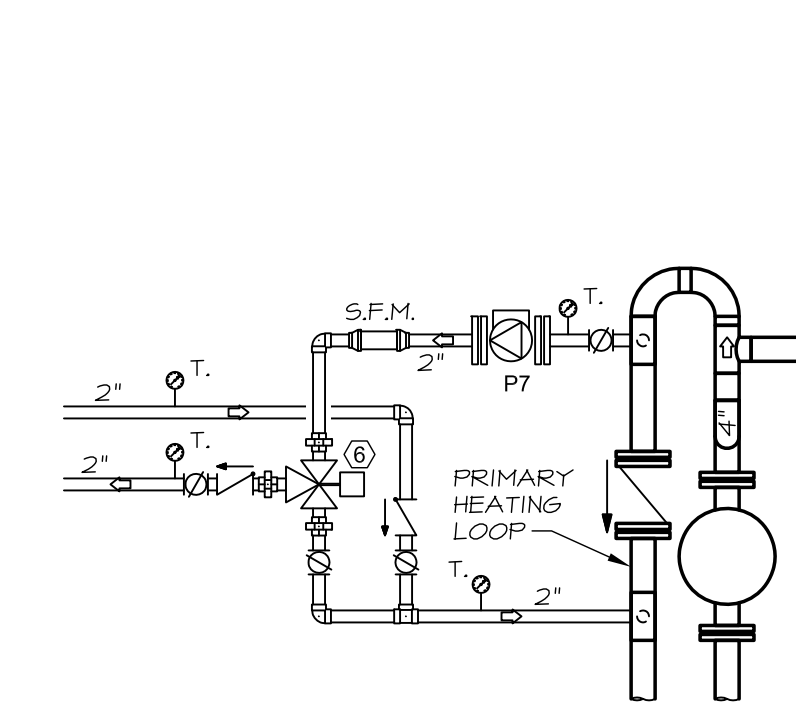
2 AIR SEPARATOR
 NO SCALE



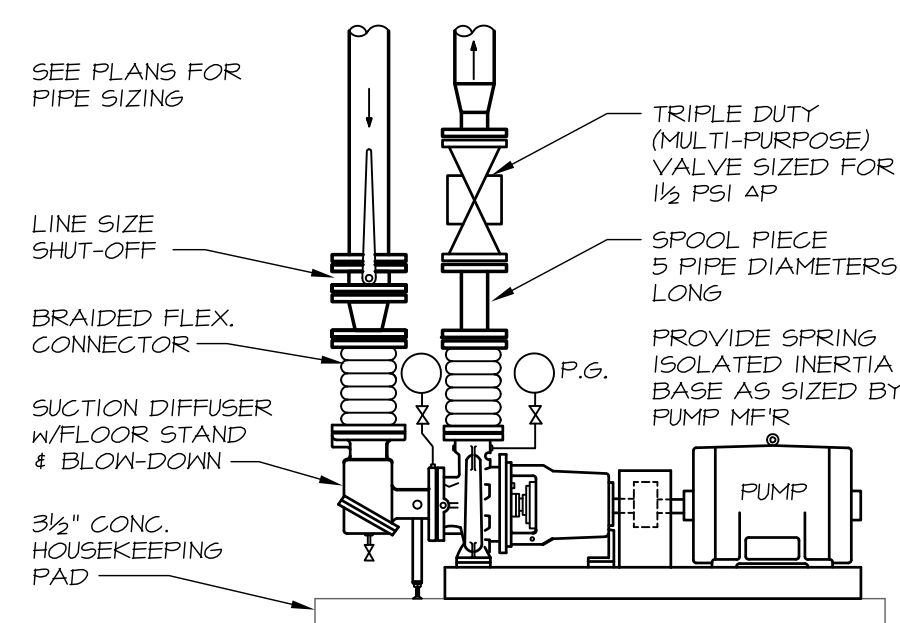
3 HEAT EXCHANGER PIPING
 NO SCALE



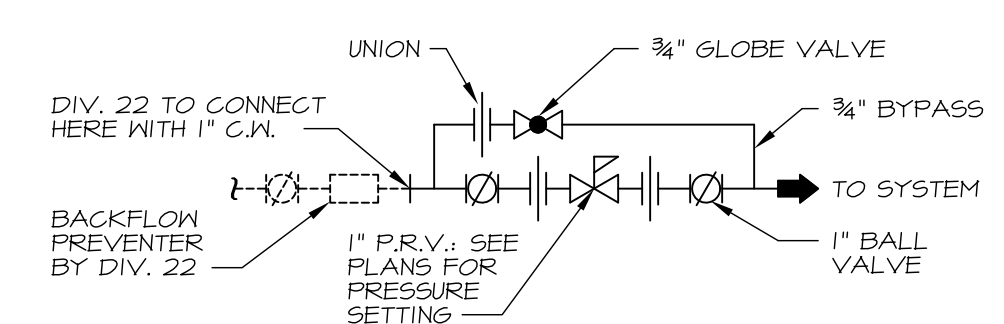
4 DIAPHRAGM TYPE EXPANSION TANK
 NO SCALE



5 INJECTION PIPING TO HEAT PUMP SYSTEM
 SCALE: 3/8" = 1'-0"



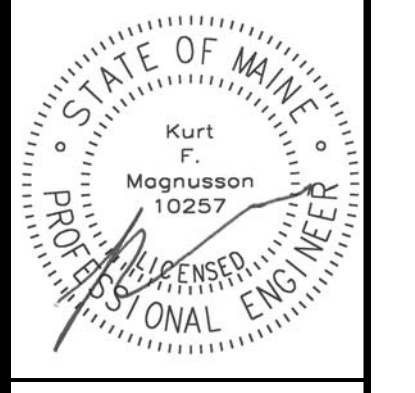
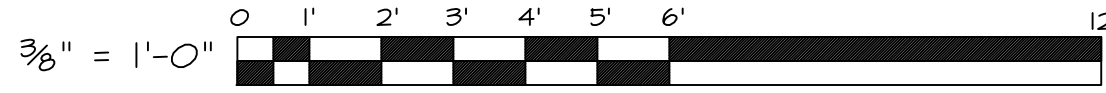
6 BASE MOUNTED PUMP
 NO SCALE



7 CITY WATER MAKE-UP
 NO SCALE



MECHANICAL SYSTEMS ENGINEERS
 ROYAL RIVER CENTER, UNIT 108
 10 FOREST FALLS DRIVE, YARMOUTH, MAINE 04096
 (207) 846-1441
 FACEBOOK: MECHANICAL SYSTEMS ENGINEERS
 © COPYRIGHT 2016
 M.S.E. Proj. 1632



REVISION:

ISSUED FOR PRICING 12/21/2016
 ADDENDA #1: 01/11/2017

project architect: KAK
 drawn by: REM

MECHANICAL ROOM PLANS

sheet number:

M14