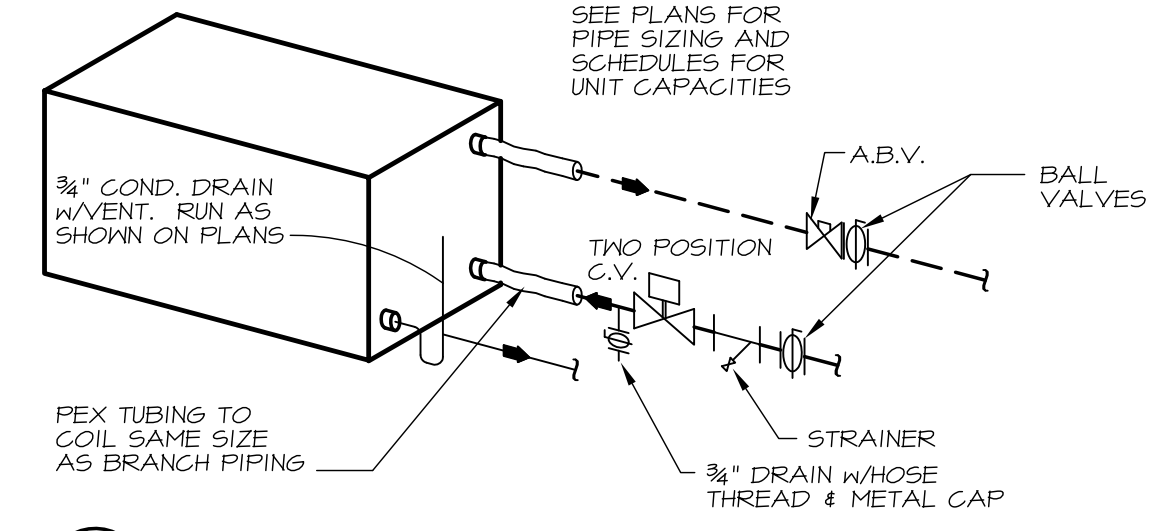


HEAT PUMP UNIT BRANCH PIPE SIZING		
UNIT	GPM	PIPE
HP-1	1.10	3/4"
HP-2	1.40	3/4"
HP-3	1.80	3/4"
HP-4	2.20	3/4"
HP-5	2.70	3/4"
HP-6	3.60	1"
HP-7	4.60	1"

HP QUAN.	CONDENSATE DRAINS SIZES	
	VERT.	HORIZ.
1	3/4"	3/4"
2	1"	1"
3	1	1 1/4"
4	1	1 1/2"
5	1 1/2"	1 1/2"
6+	1 1/2"	1 1/2"


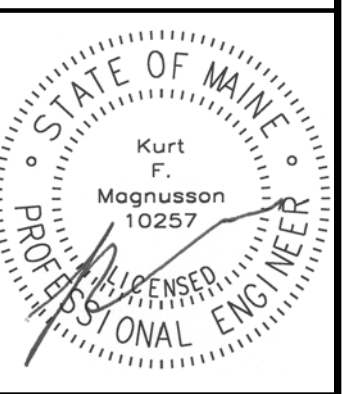
1 FIFTH FLOOR PIPING PLAN
 SCALE: 1/8" = 1'-0"



2 PIPING TO HEAT PUMP UNITS
 NO SCALE



MECHANICAL SYSTEMS ENGINEERS
 ROYAL RIVER CENTER, UNIT 108
 10 FOREST FALLS DRIVE, YARMOUTH, MAINE 04096
 (207) 846-1441
 © COPYRIGHT 2016
 M.S.E. Proj. 1632

AC HOTELS by MARRIOTT
 Fore Street / Hancock Street / Thames Street
 Portland, Maine

REVISION:

ISSUED:
 RELEASED FOR PRICING 12/21/2016

project architect: KAK
 drawn by: REM

FIFTH FLOOR MECHANICAL PIPING

sheet number:
M12