

AC HOTELS by MARRIOTT
Fore Street / Hancock Street / Thames Street
Portland, Maine

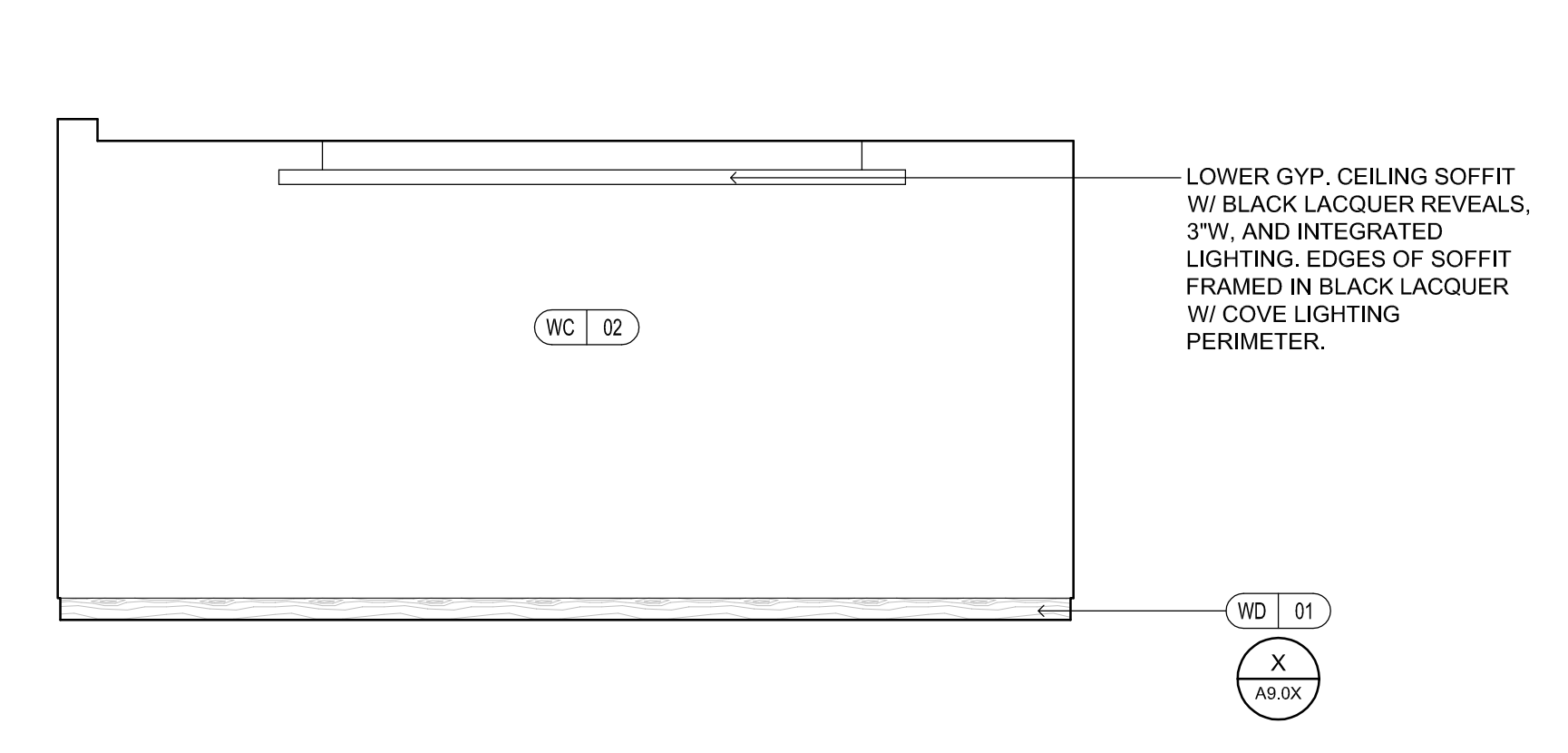
REVISION:
.....

ISSUED:
08-12-16 FOUNDATION & STEEL PERMIT
10-18-16 60% MARRIOTT REVIEW
03-14-17 BUILDING PERMIT

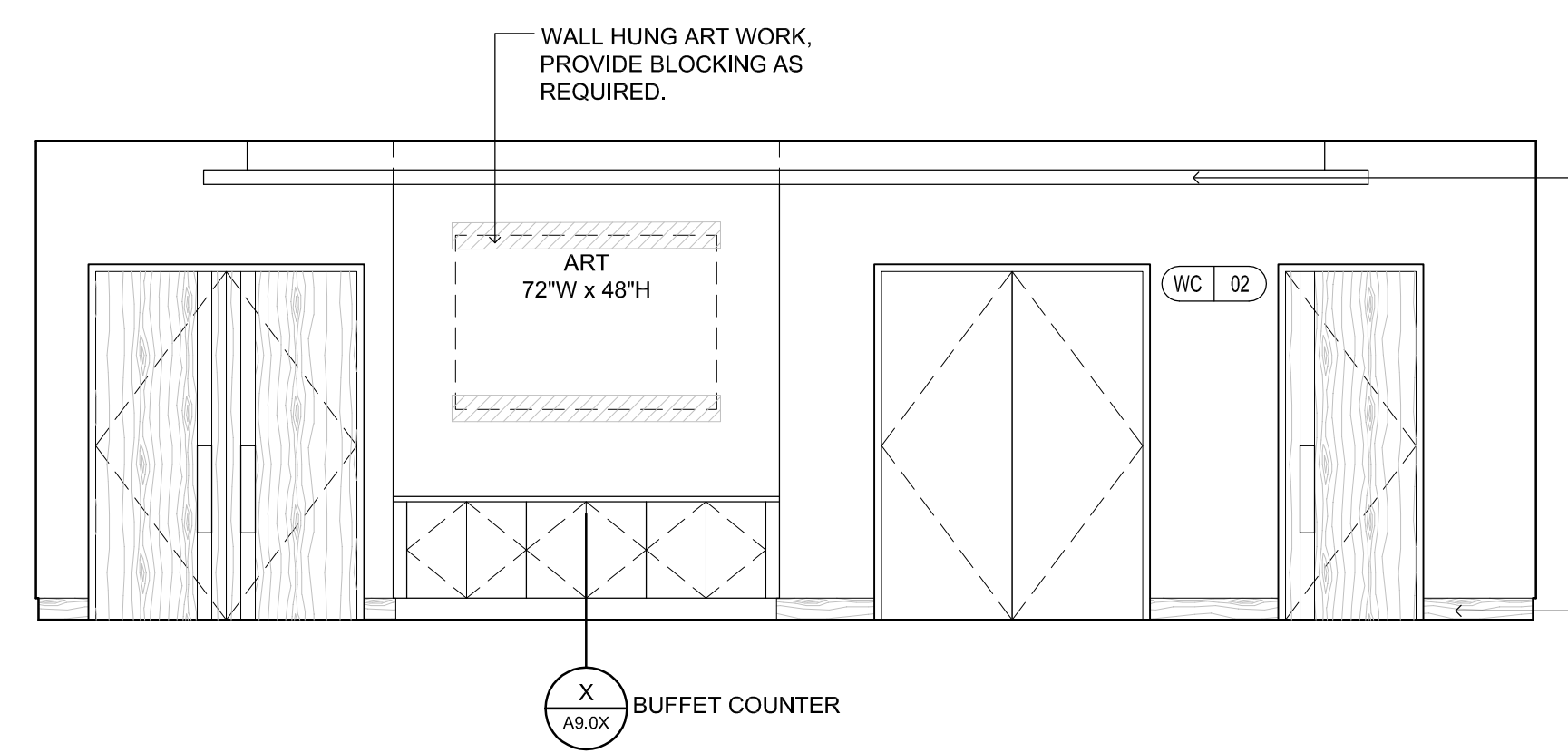
project architect: KAK
drawn by: FAC

**INTERIOR
ELEVATIONS**
MEETING RM & SALONS

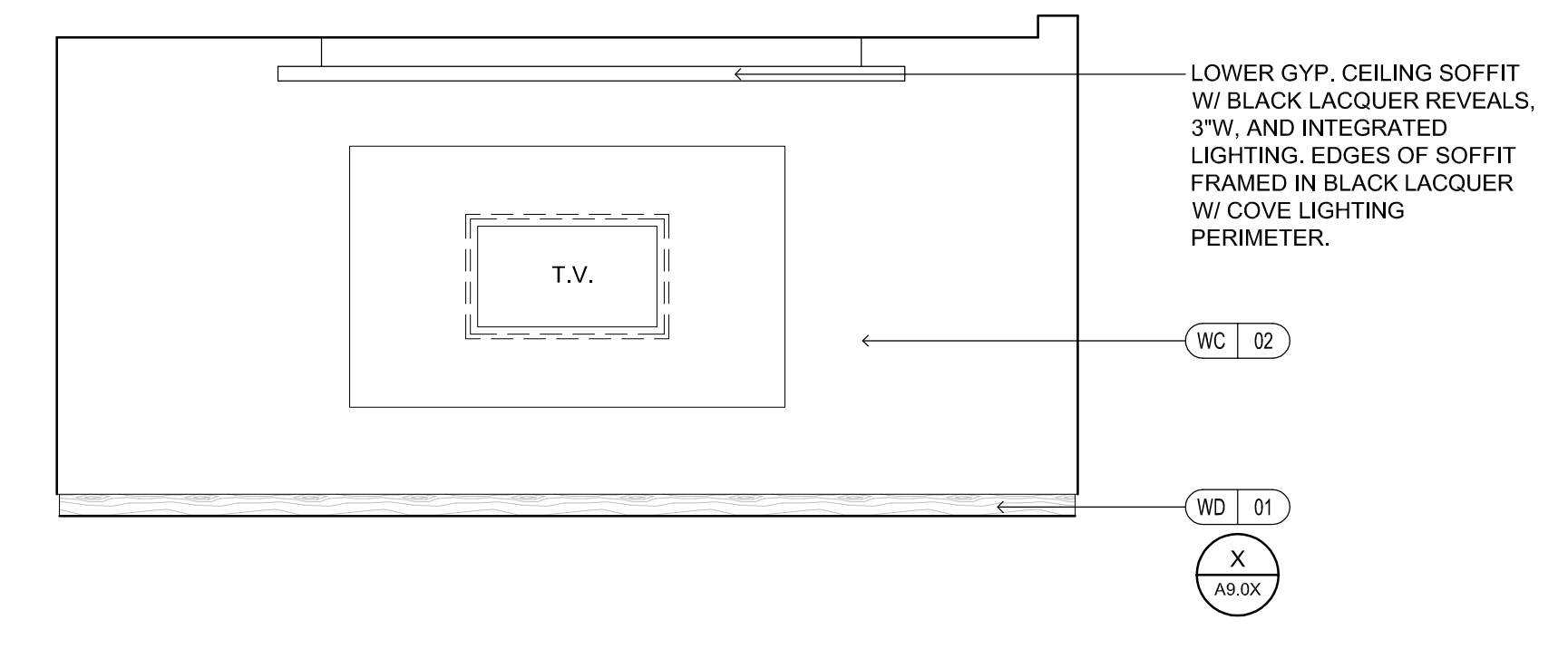
sheet number:
A7.05



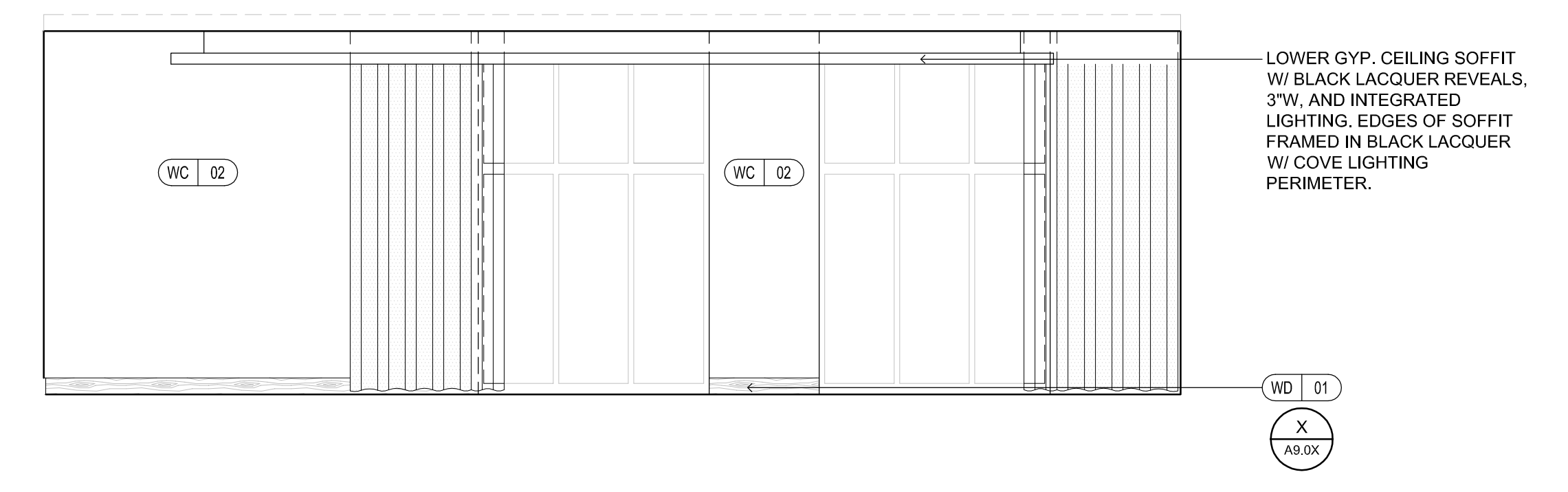
1 MEETING ROOM
1/4" = 1'-0"



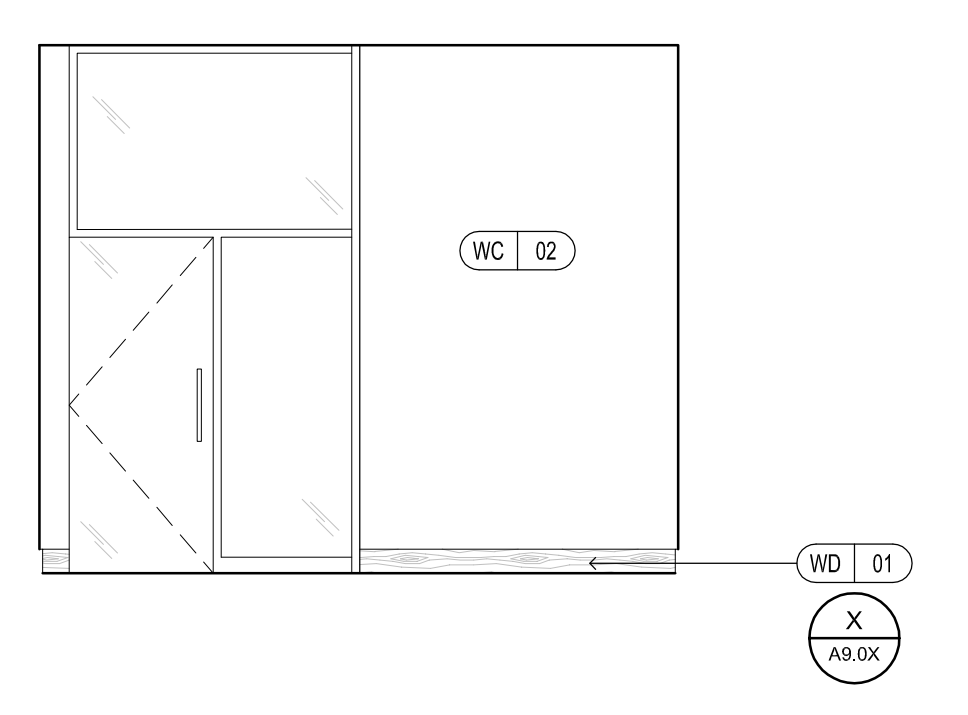
2 MEETING ROOM
1/4" = 1'-0"



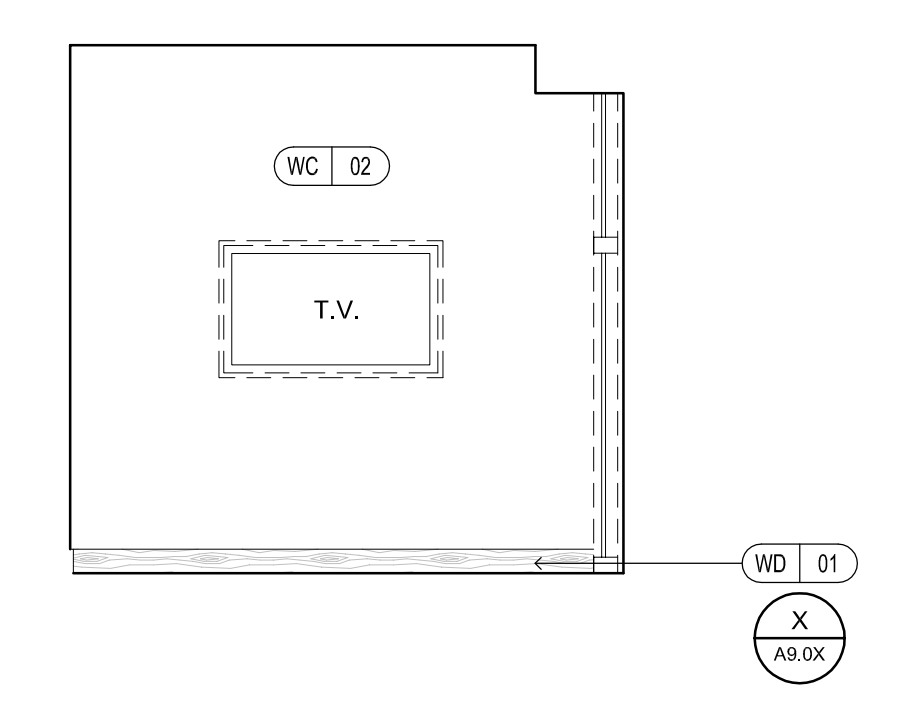
3 MEETING ROOM
1/4" = 1'-0"



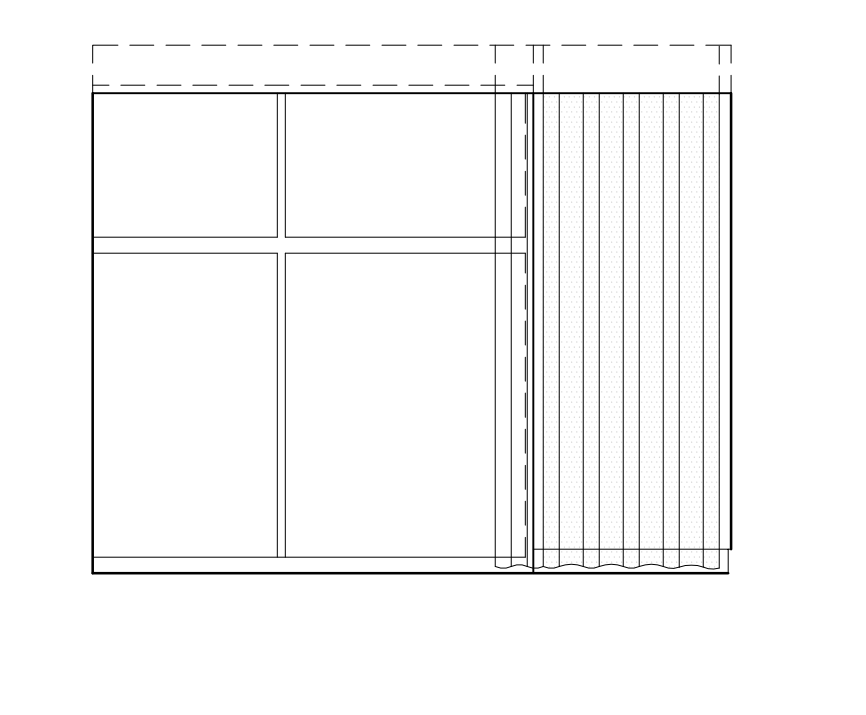
4 MEETING ROOM
1/4" = 1'-0"



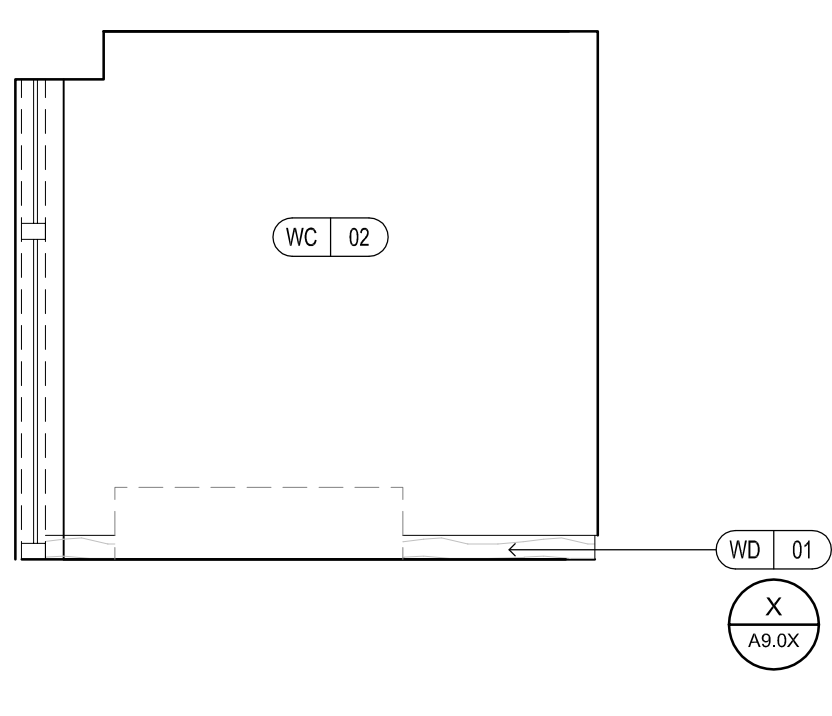
5 SALON 1
1/4" = 1'-0"



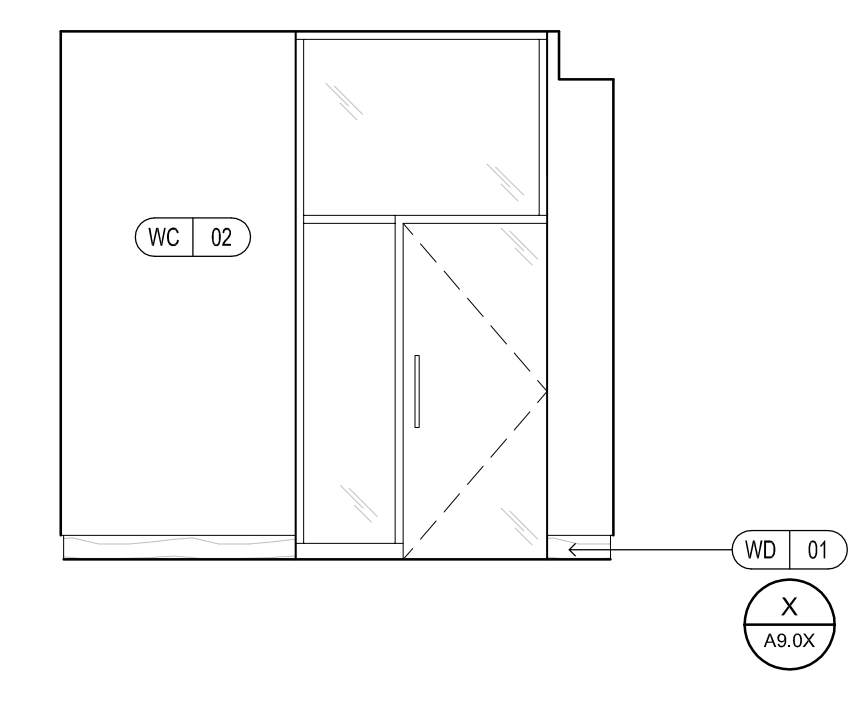
6 SALON 1
1/4" = 1'-0"



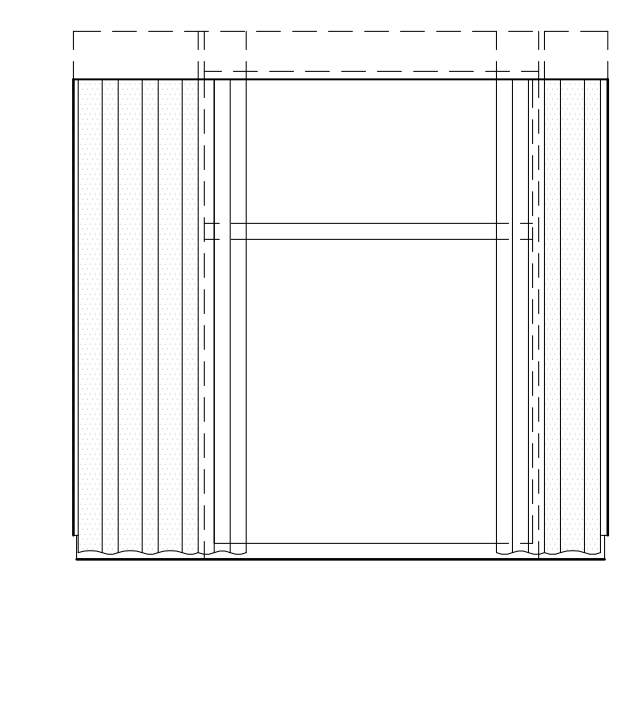
7 SALON 1
1/4" = 1'-0"



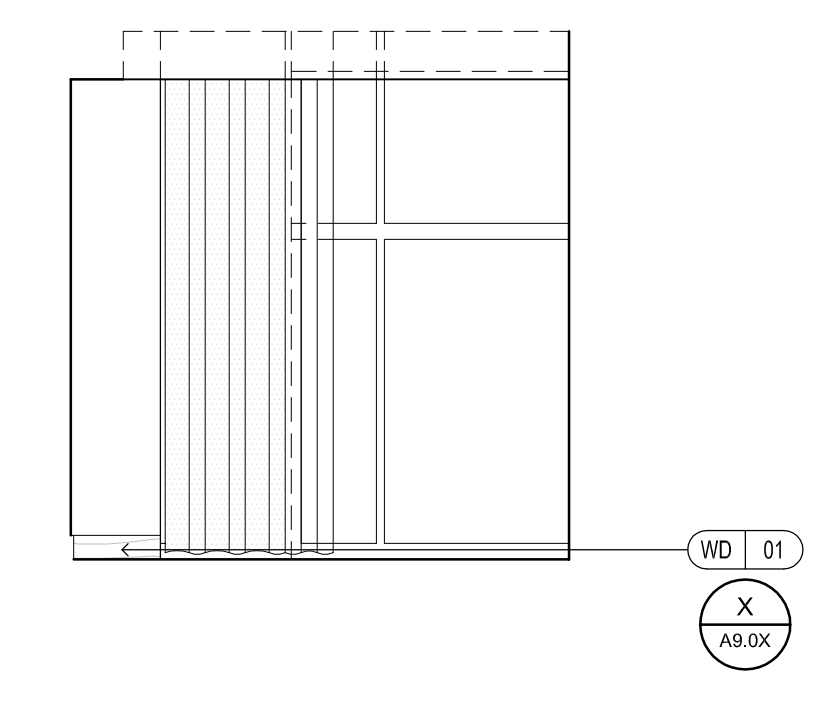
8 SALON 1
1/4" = 1'-0"



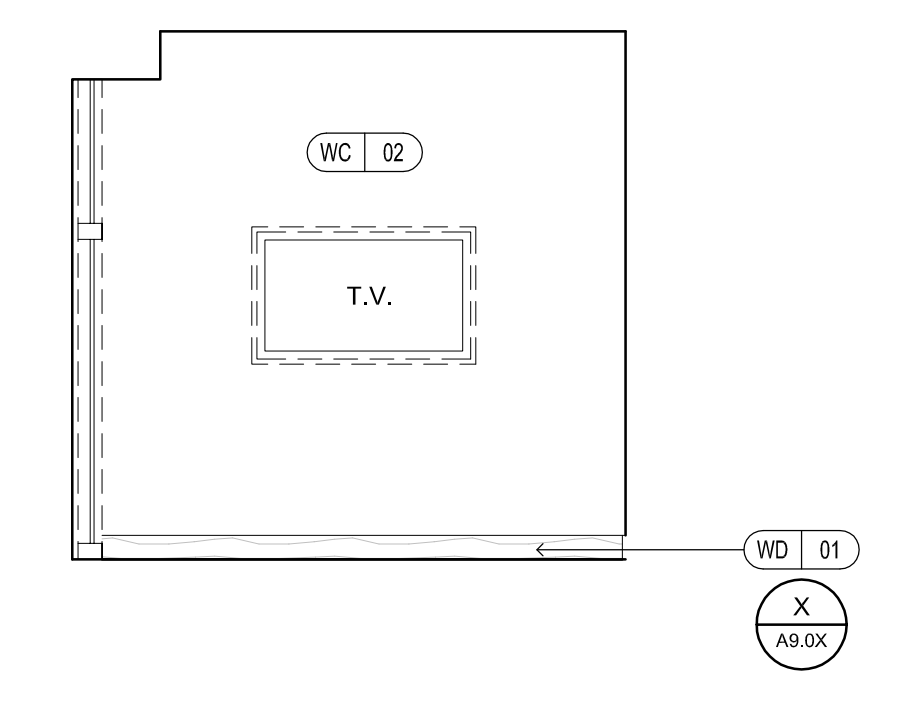
9 SALON 2
1/4" = 1'-0"



10 SALON 2
1/4" = 1'-0"



11 SALON 2
1/4" = 1'-0"



12 SALON 2
1/4" = 1'-0"