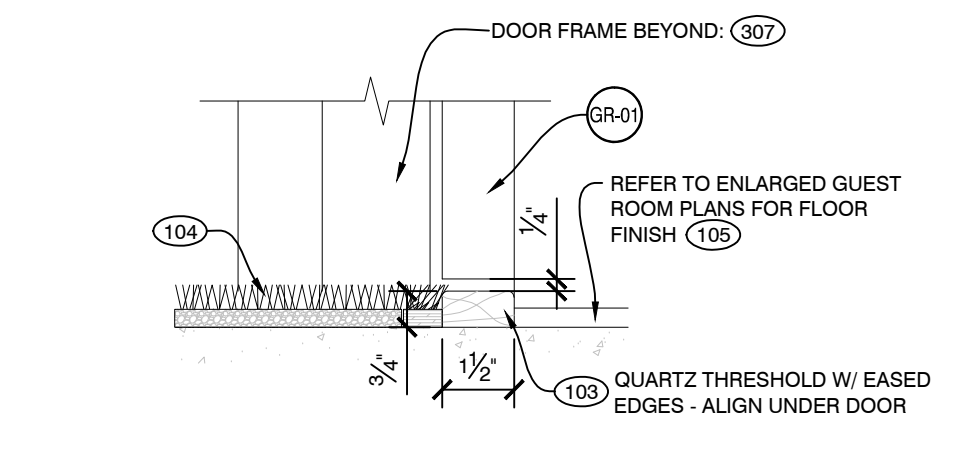
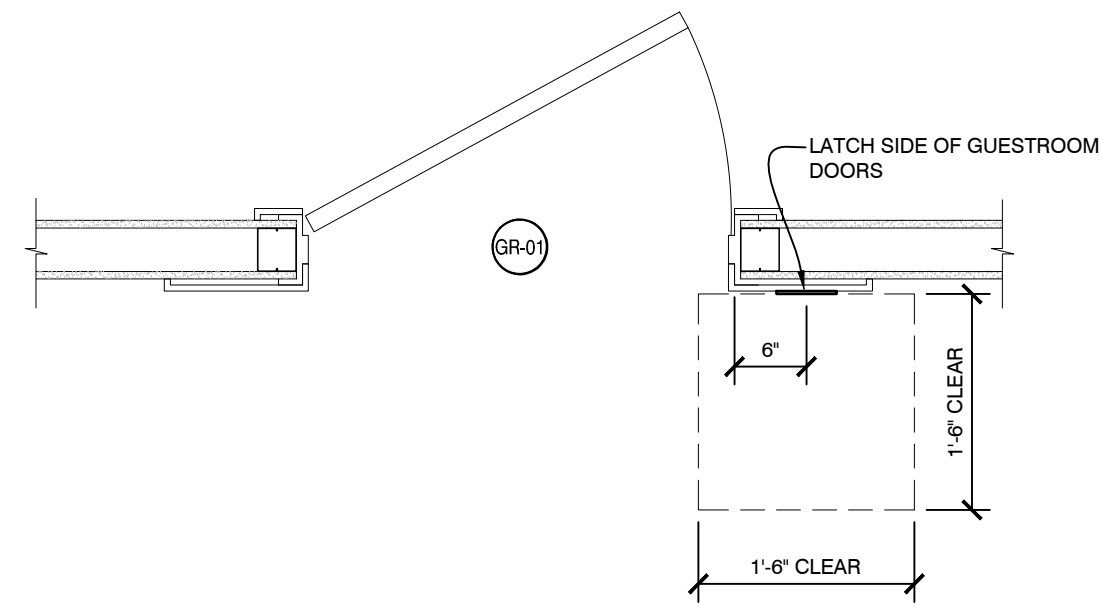


**11** GUESTROOM ENTRY - UNIT ELEVATION  
1" = 1'-0"



**9** GUESTROOM ENTRY - THRESHOLD DETAIL  
3" = 1'-0"

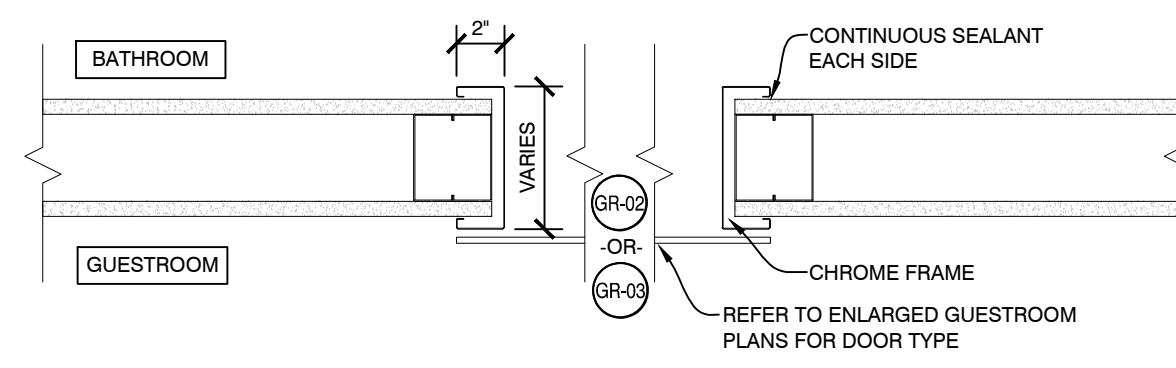


**8** GUESTROOM ENTRY - DOOR SIGNAGE PLAN  
3/4" = 1'-0"

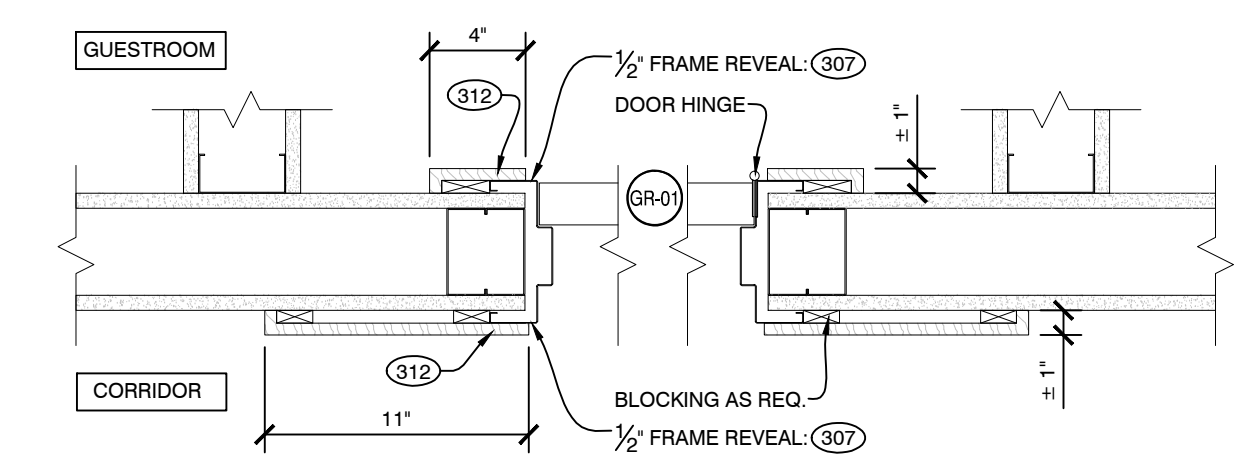
**7** DECONSTRUCTED BATH DOOR HEADER - DETAIL  
1-1/2" = 1'-0"

**5** TYPICAL BATHROOM DOOR HEADER - DETAIL  
1-1/2" = 1'-0"

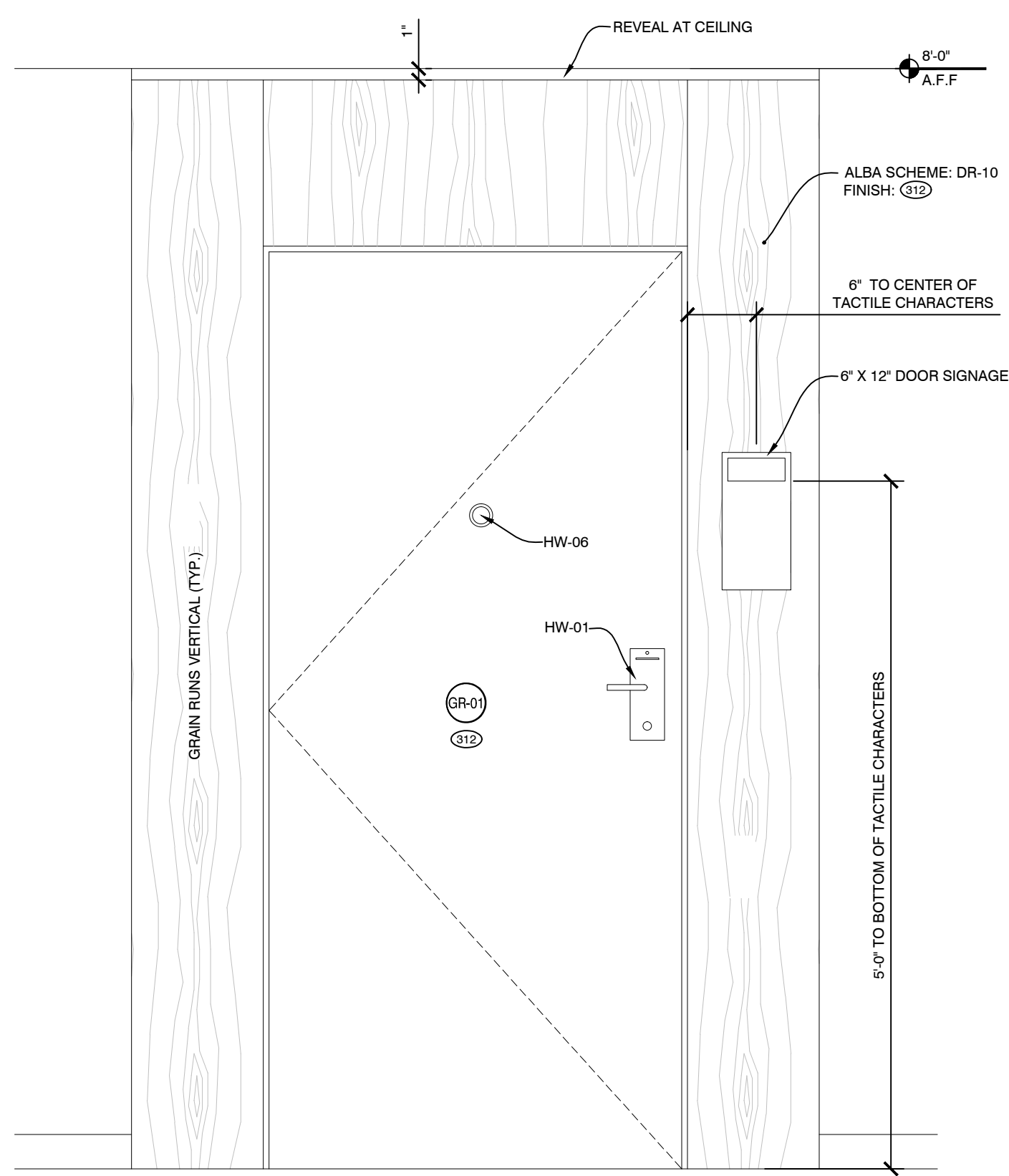
**3** ENTRY DOOR HEADER - DETAIL  
1-1/2" = 1'-0"



**4** TYPICAL BATHROOM DOOR JAMB - DETAIL  
1-1/2" = 1'-0"



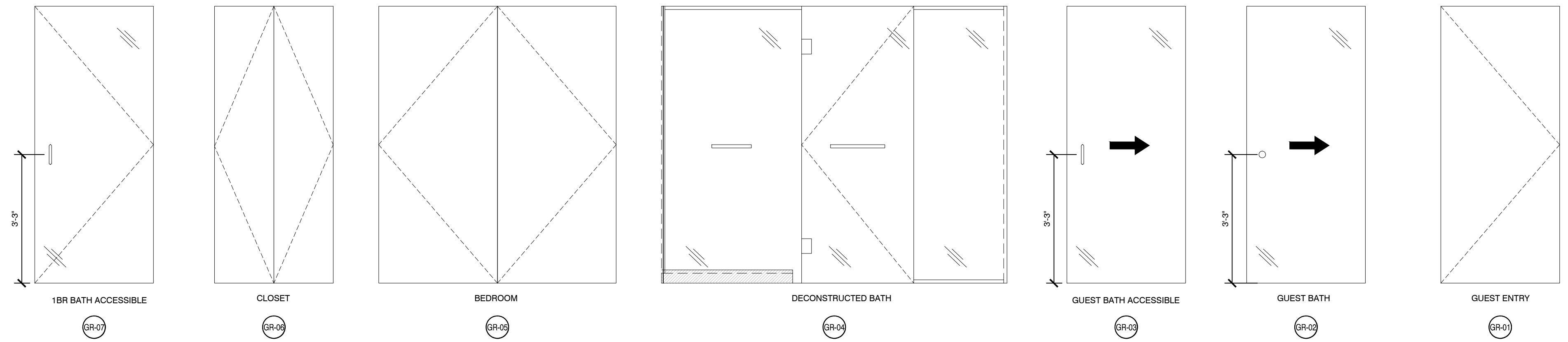
**2** ENTRY DOOR JAMB - DETAIL  
1-1/2" = 1'-0"



**10** GUESTROOM ENTRY - CORRIDOR ELEVATION  
1" = 1'-0"

GUEST ROOM DOOR SCHEDULE								
#	LOCATION	SIZE	MATERIAL	THRESHOLD	HDWR	FRAME	RATING	NOTES
GUEST ROOMS								
GR-01	ENTRY	3'-0" X 6'-8"	SCW - VENEER	103	11/A6.04	-	20 MIN.	ALBA SCHEME - REFER TO IFI DR-08 & DR-10
GR-02	BATH	3'-0" X 6'-8"	GLASS	-	-	-	-	BARN DOOR - REFER TO IFI DR-03 - SAFETY/TEMPERED
GR-03	BATH - ACCESSIBLE	3'-0" X 6'-8"	GLASS	-	ADA	-	-	BARN DOOR - REFER TO IFI DR-03 - SAFETY/TEMPERED
GR-04	DECONSTRUCTED BATH	*VARIES	GLASS	-	-	-	-	WATER CLOSET & SHOWER COMPARTMENT - REFER TO IFI DR-05 - SAFETY / TEMPERED
GR-05	CORNER SUITE - BEDROOM	(2) 3'-0" X 6'-8"	T.B.D.	-	-	-	-	1 BEDROOM SUITE
GR-06	CORNER SUITE - CLOSET	(2) 1'-6" X 6'-8"	T.B.D.	-	-	-	-	1 BEDROOM SUITE
GR-07	CORNER SUITE - ACC. BATH	3'-0" X 6'-8"	GLASS	-	ADA	-	-	FRAMELESS GLASS DOOR - REFER TO IFI DR-04 - SAFETY/TEMPERED

\*VERIFY DIMENSIONS IN FIELD PRIOR TO ORDERING DOOR & PANEL ASSEMBLY



**1** GUESTROOM DOOR TYPES  
1/2" = 1'-0"