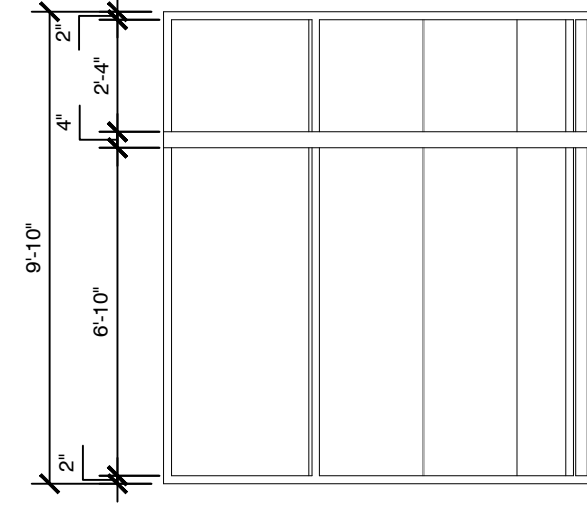


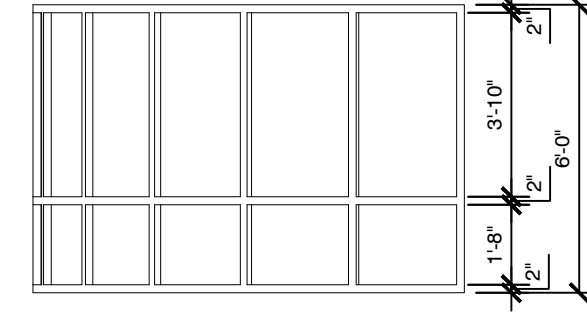
HSS 12x6 BEHIND SPANDREL GLAZING TO BREAK SPAN OF STOREFRONT PER STRUCTURAL DRAWINGS.

X

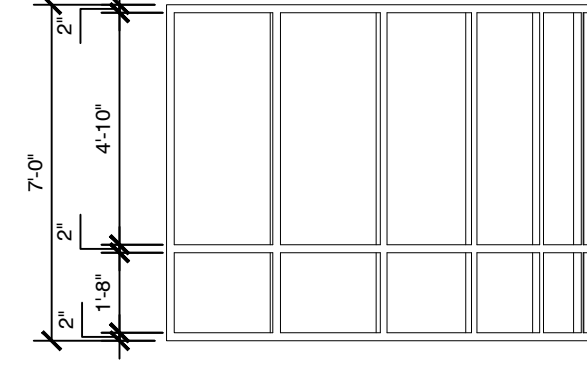
NOTE:
"X" INDICATES SPANDREL GLAZING
REFER TO BUILDING ELEVATIONS FOR LOCATIONS



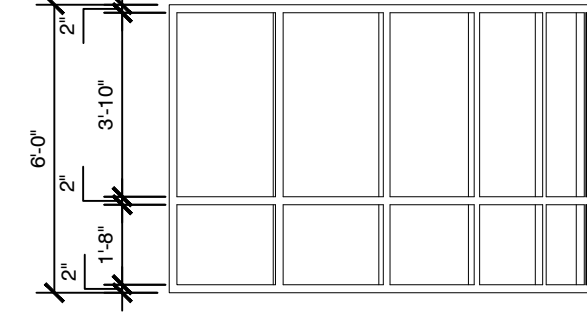
R



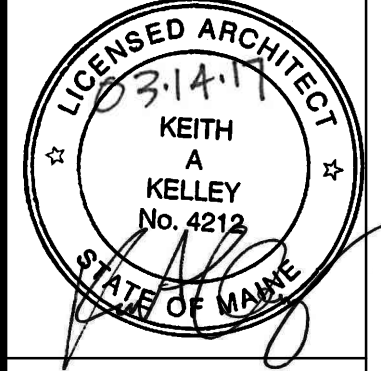
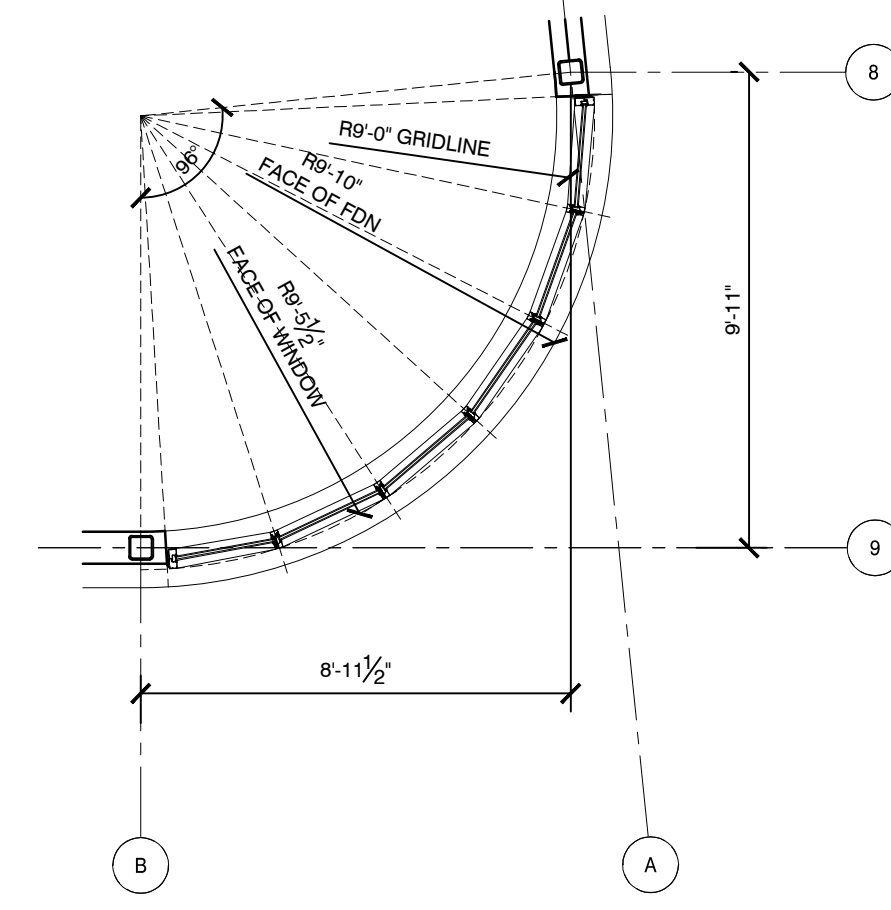
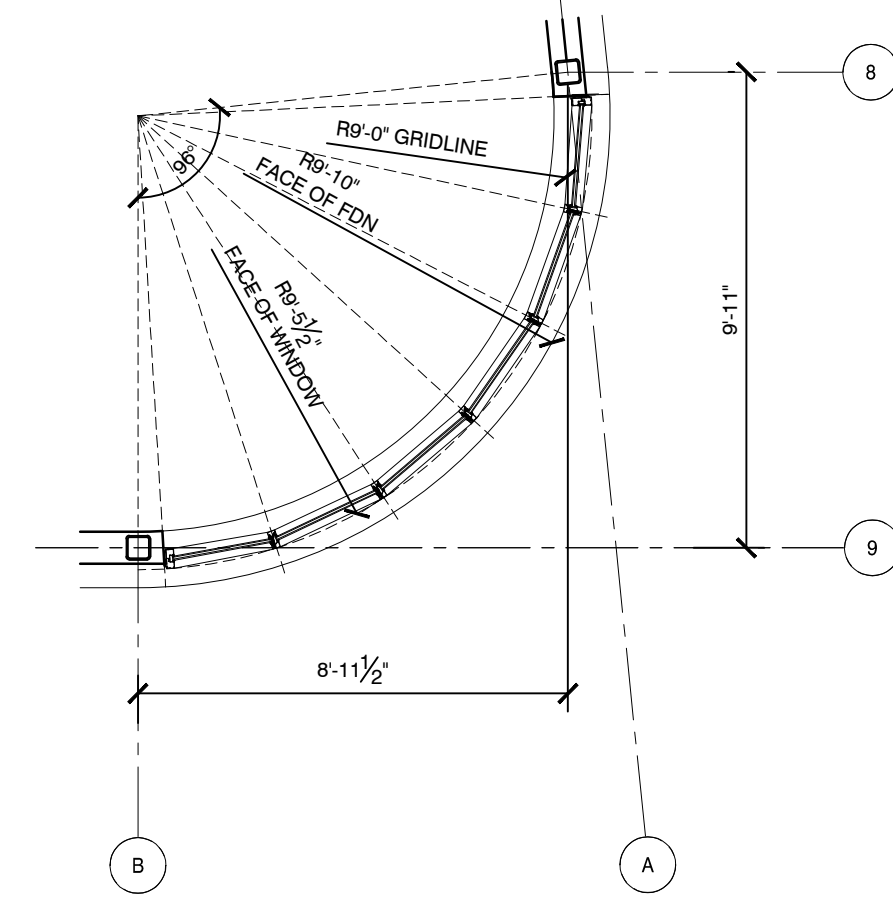
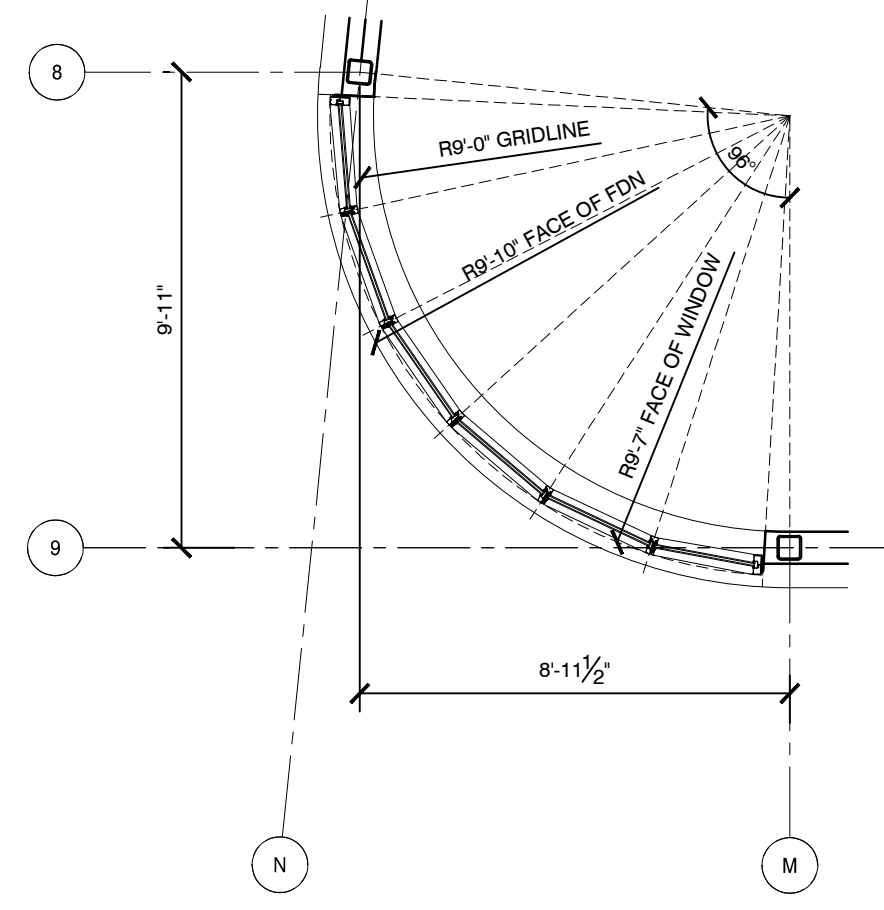
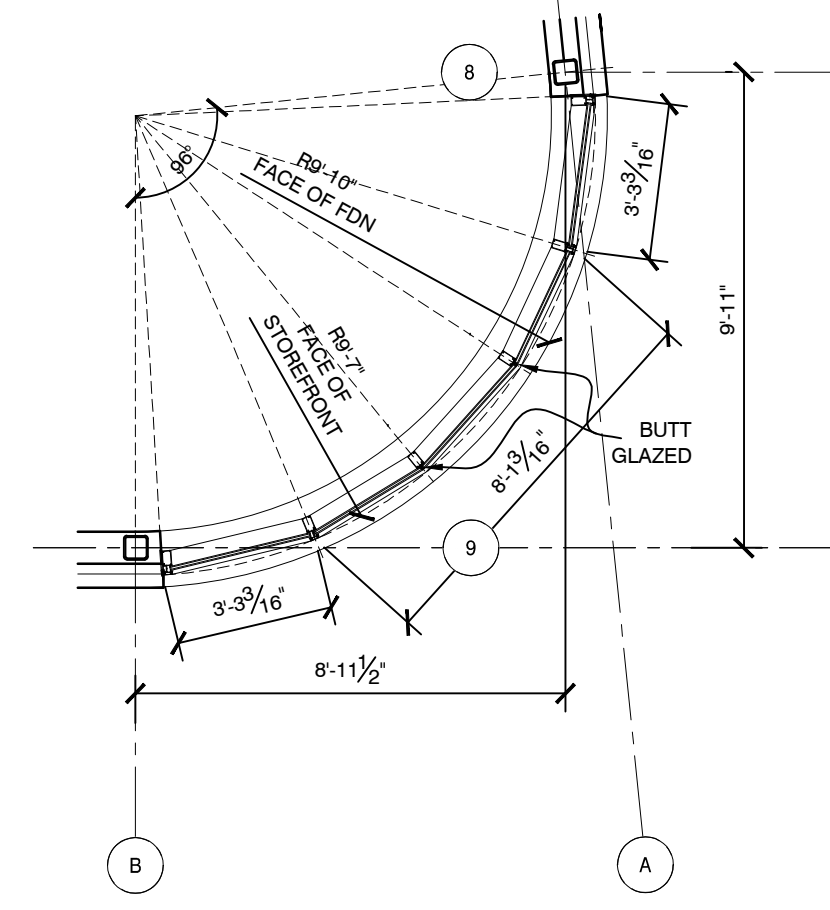
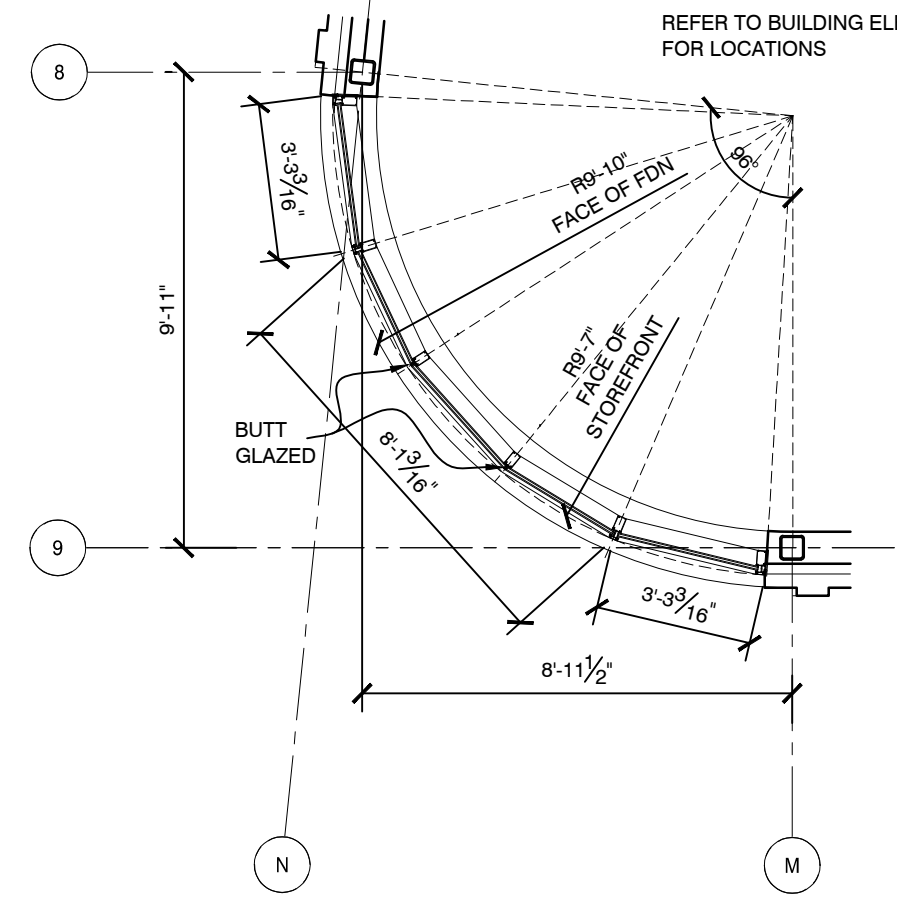
J



I



H



AC HOTELS by MARRIOTT
Fore Street / Hancock Street / Thames Street
Portland, Maine

REVISION:
01-05-17 ELEVATIONS UPDATED

ISSUED:
10-18-16 60% MARRIOTT REVIEW
10-21-16 BUILDING SHELL PERMIT
03-14-17 BUILDING PERMIT

project architect: KAK
drawn by: DLS

**WINDOW
FRAME
ELEVATIONS**

sheet number:
A6.02