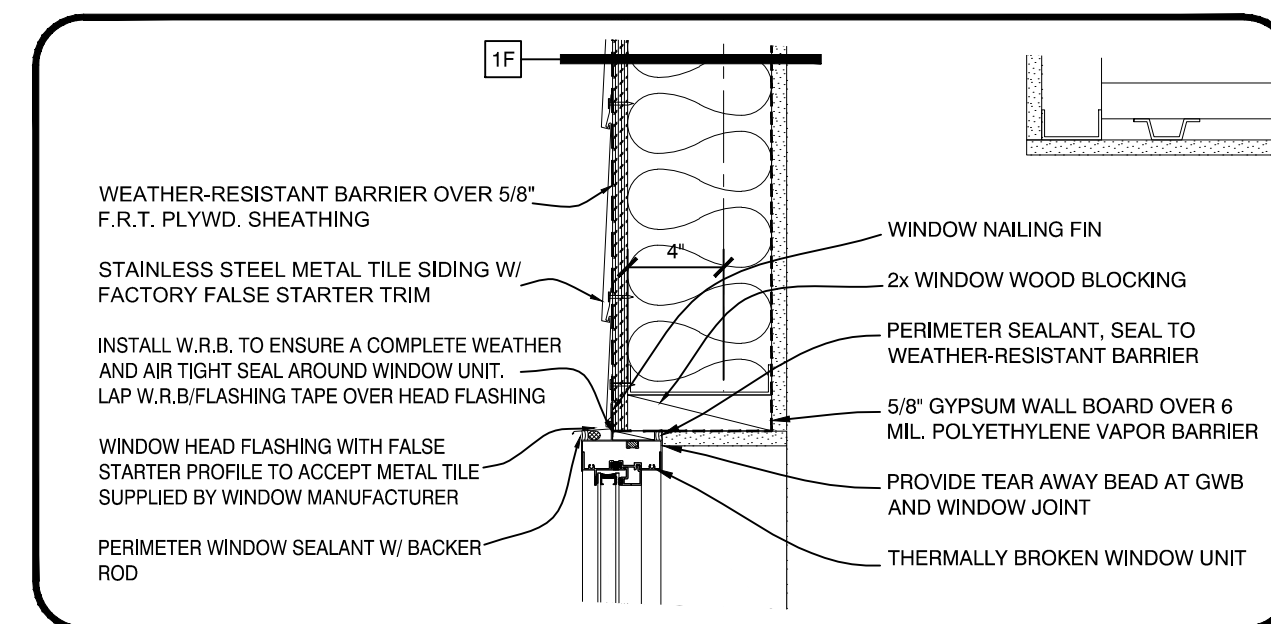
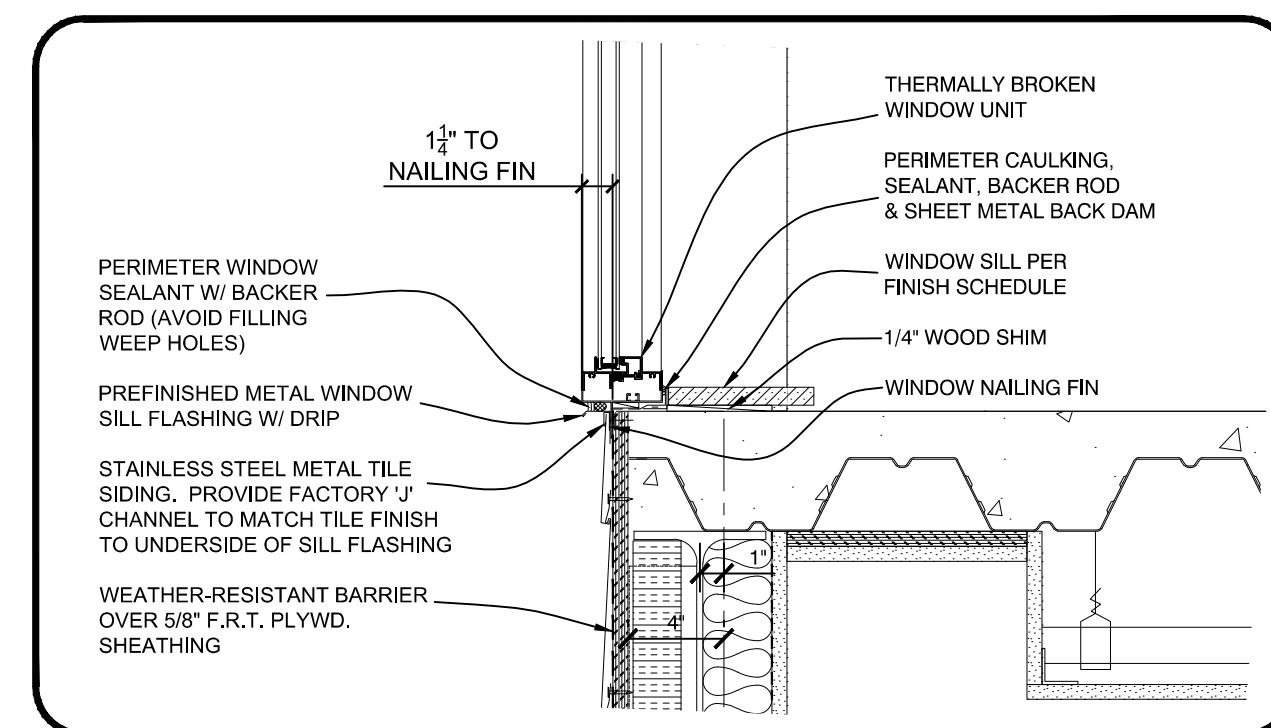


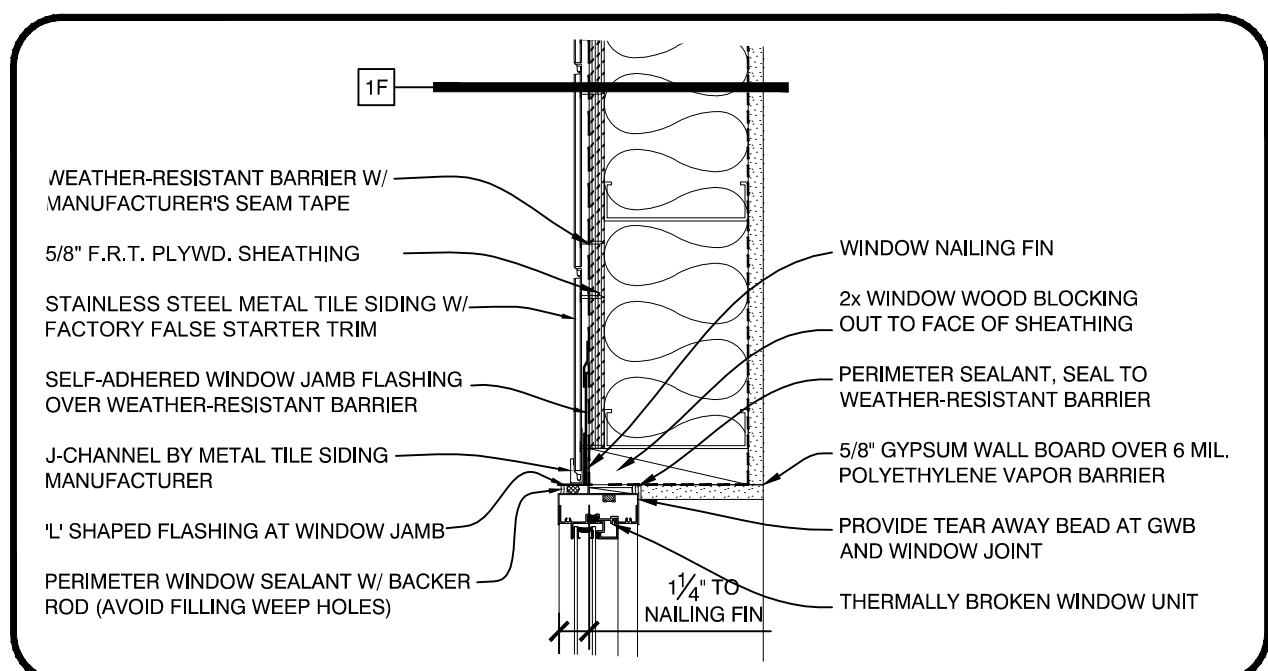
ROOF EAVE DETAIL  
SCALE: 1 1/2" = 1'-0"



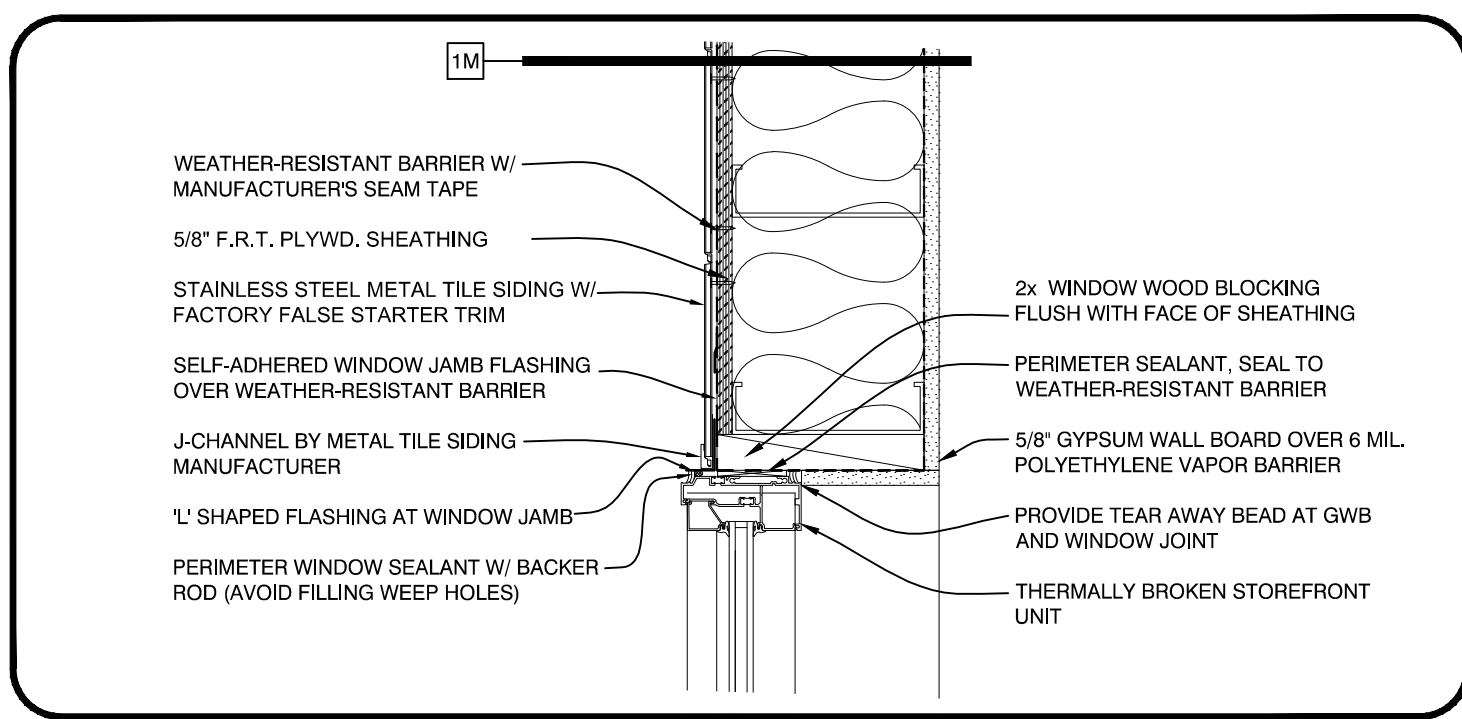
WINDOW HEAD DETAIL  
SCALE: 1 1/2" = 1'-0"



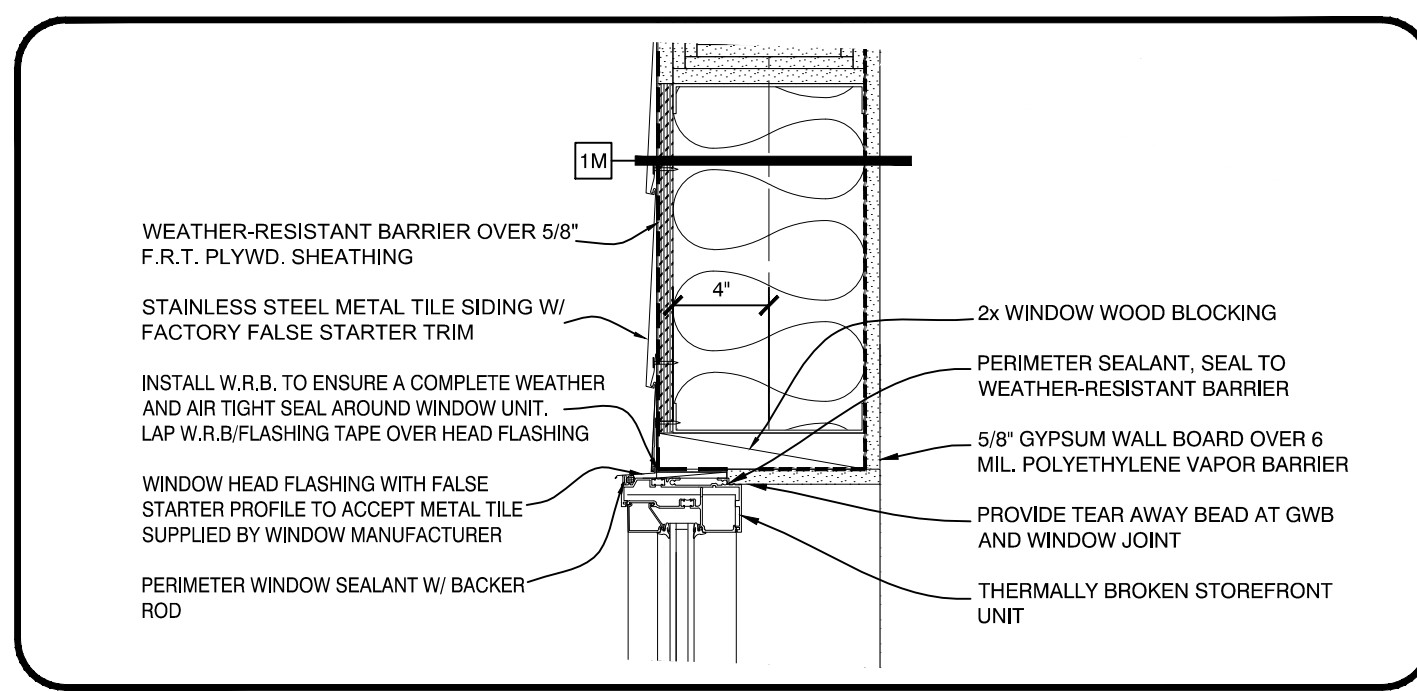
WINDOW SILL DETAIL  
SCALE: 1 1/2" = 1'-0"



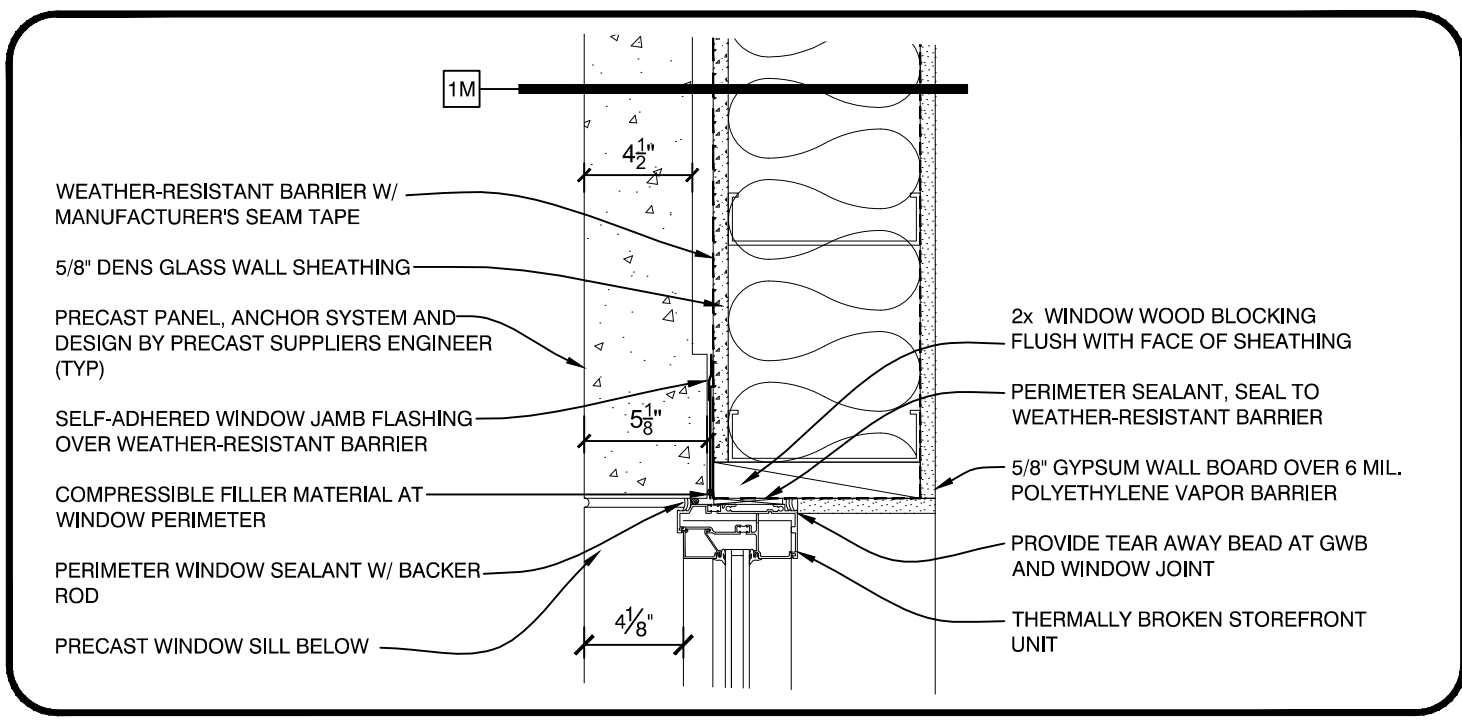
WINDOW JAMB DETAIL  
SCALE: 1 1/2" = 1'-0"



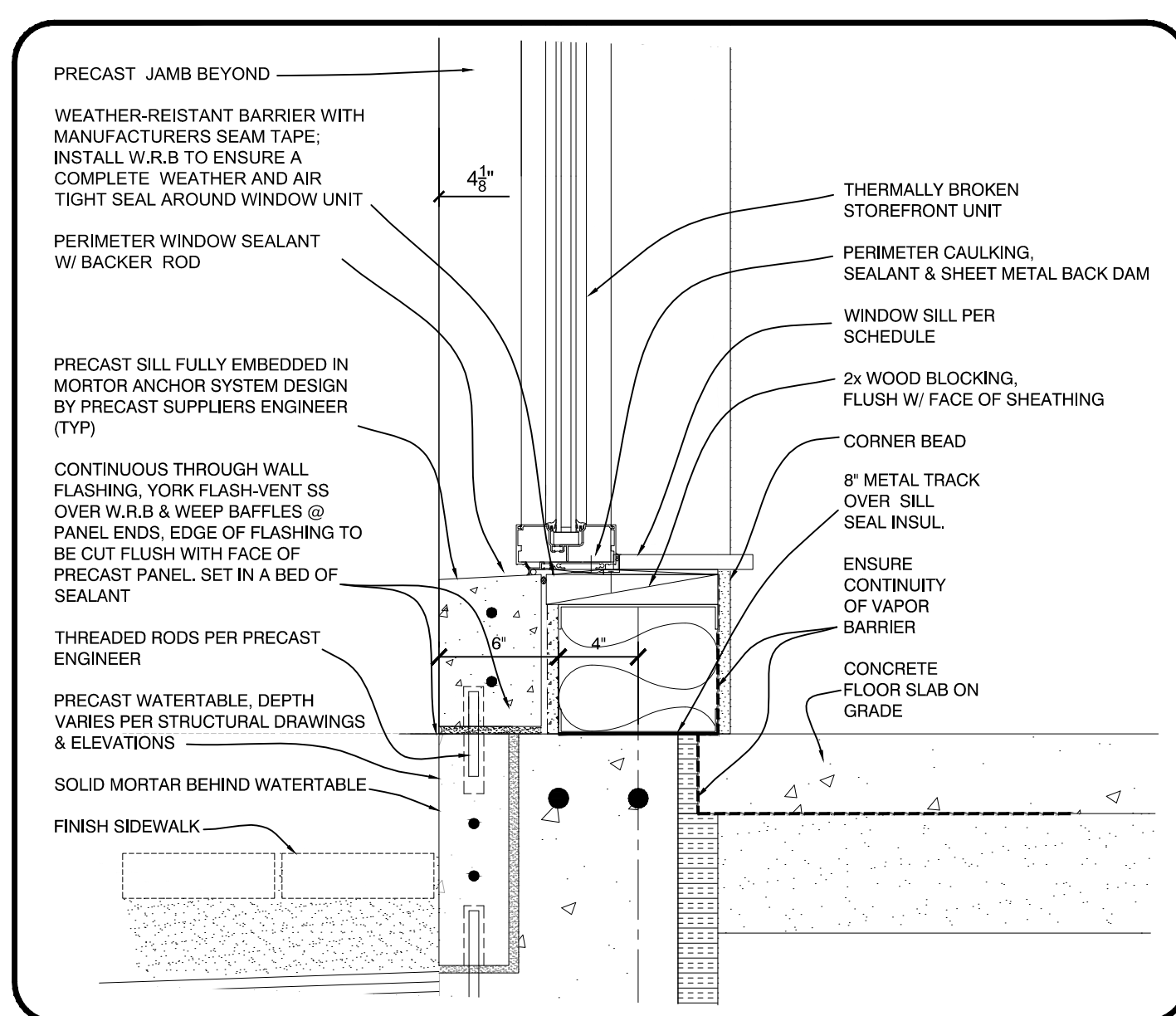
STOREFRONT JAMB @ METAL TILE DETAIL  
SCALE: 1 1/2" = 1'-0"



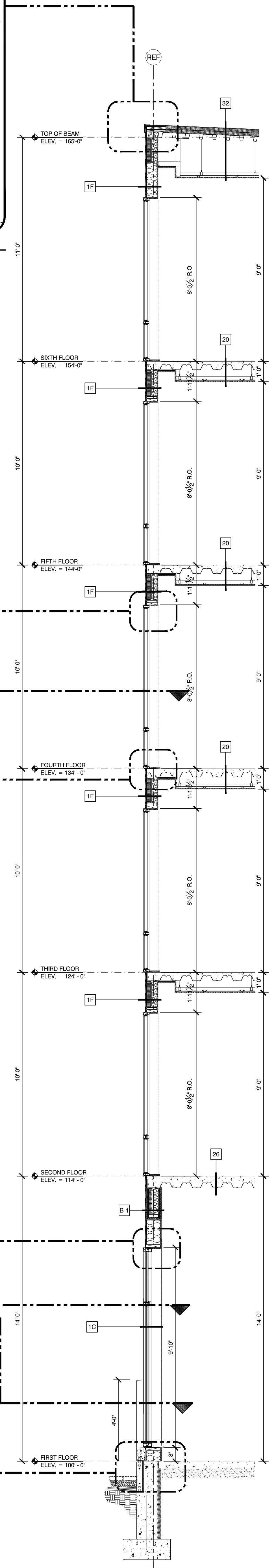
STOREFRONT HEAD DETAIL  
SCALE: 1 1/2" = 1'-0"



STOREFRONT JAMB @ PRECAST DETAIL  
SCALE: 1 1/2" = 1'-0"



STOREFRONT SILL DETAIL  
SCALE: 1 1/2" = 1'-0"



23 WALL SECTION  
SCALE: 3/8" = 1'-0"