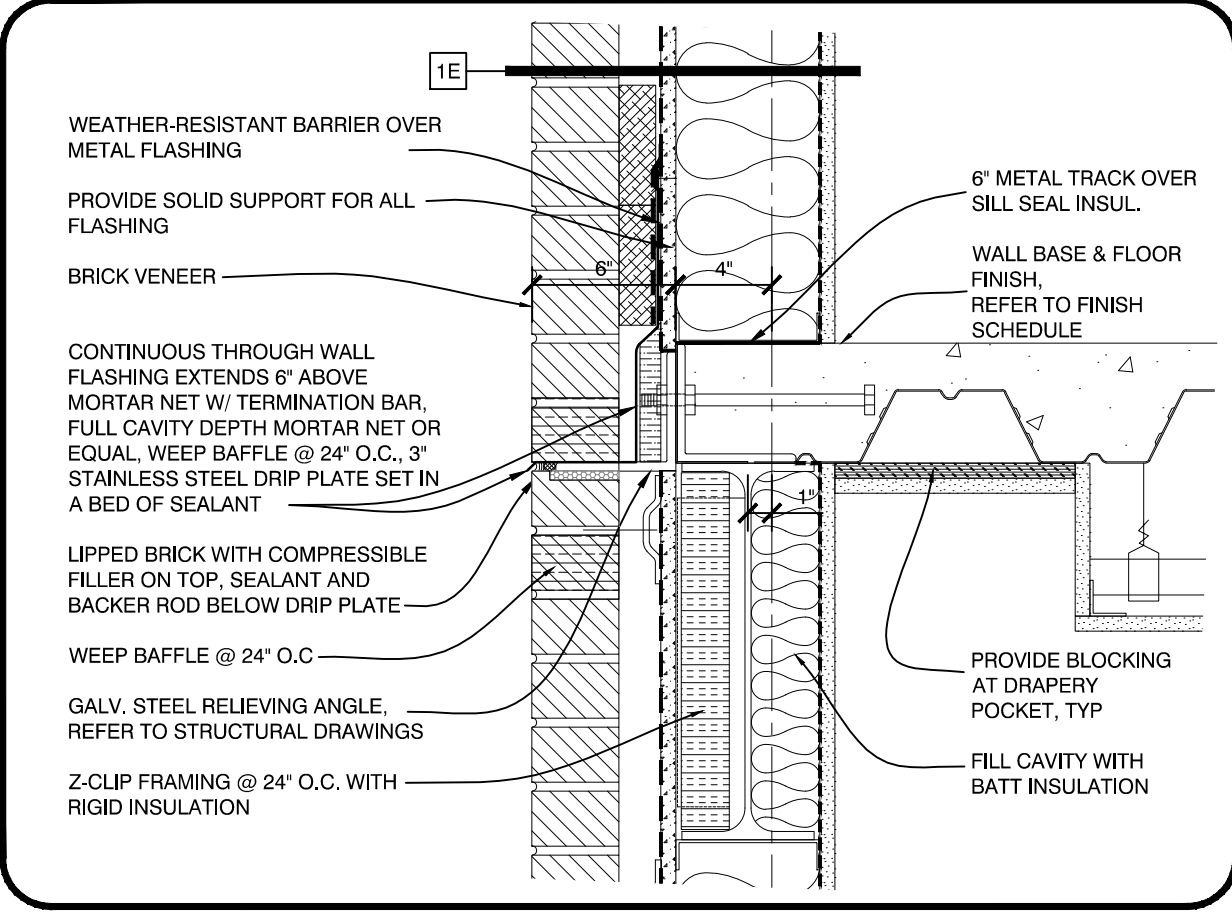
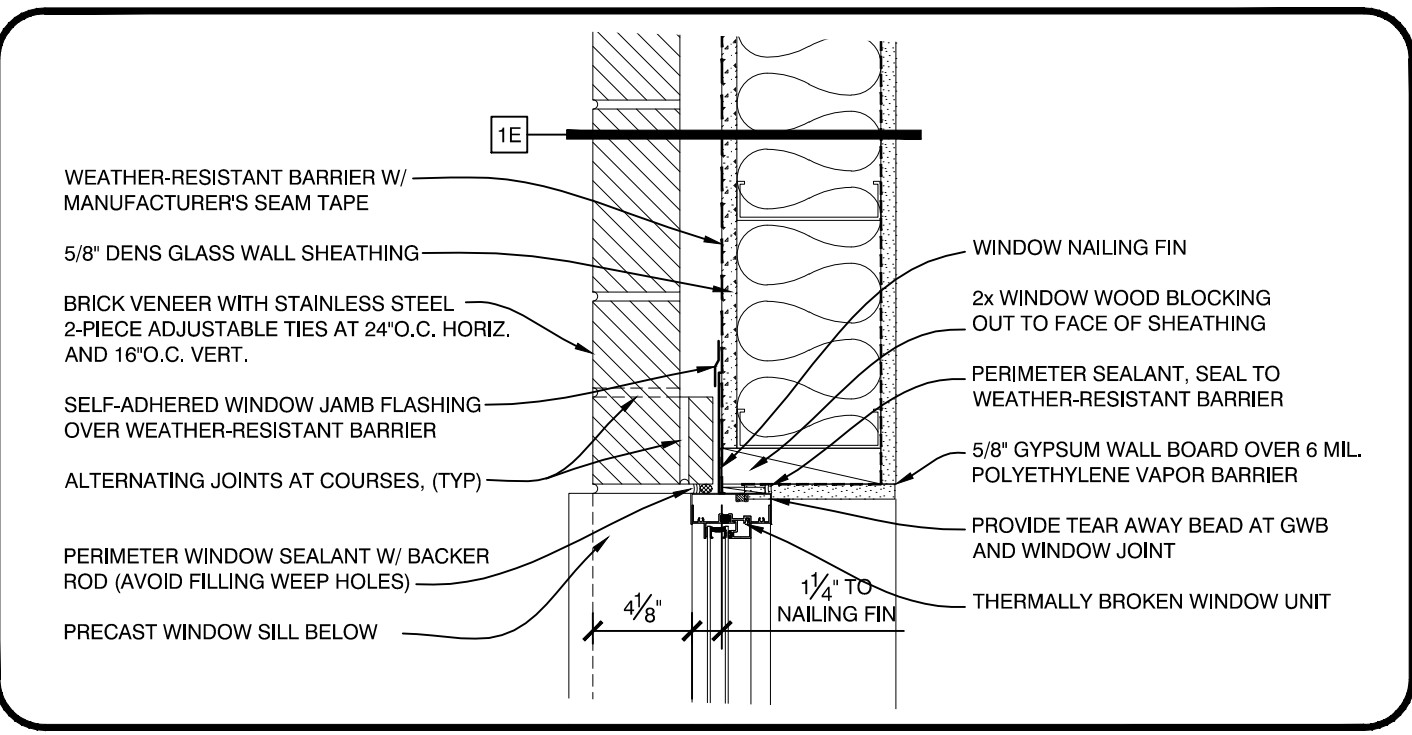


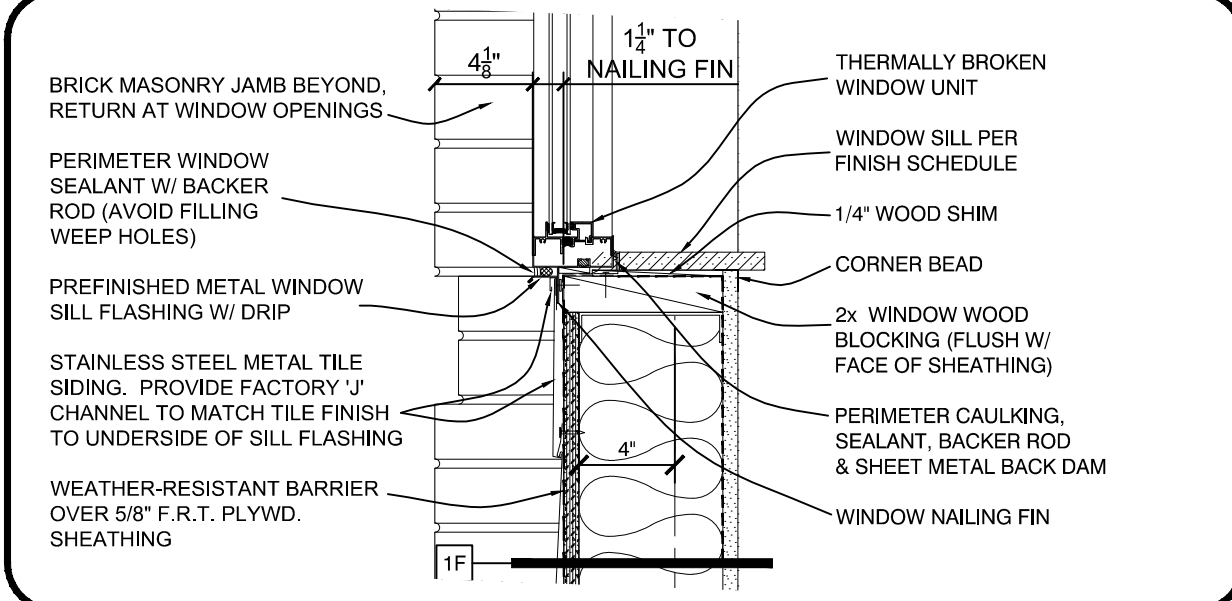
**ROOF CORNICE EAVE DETAIL**  
SCALE: 1 1/2\"/>



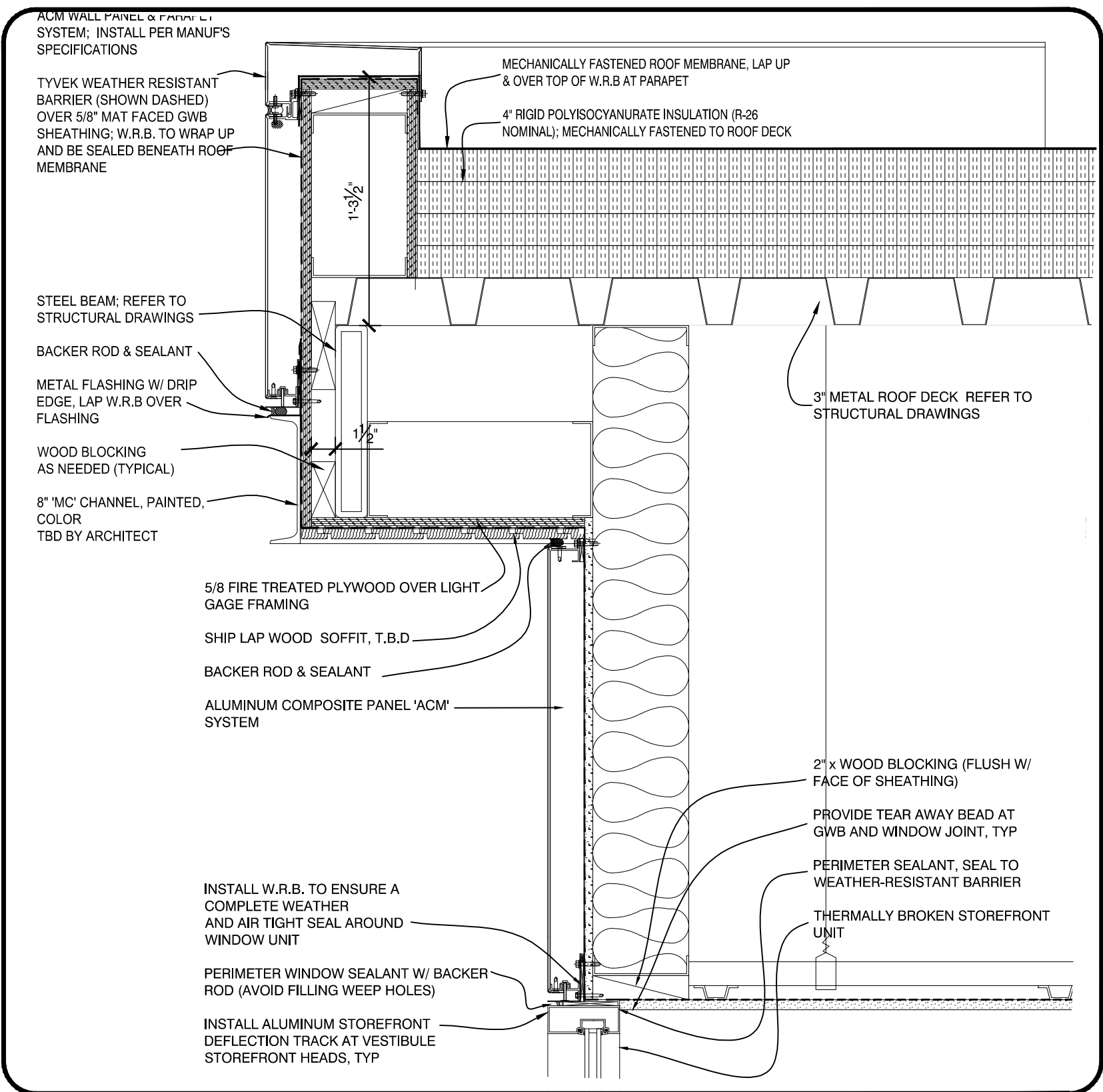
**RELIEVING ANGLE DETAIL**  
SCALE: 1 1/2\"/>



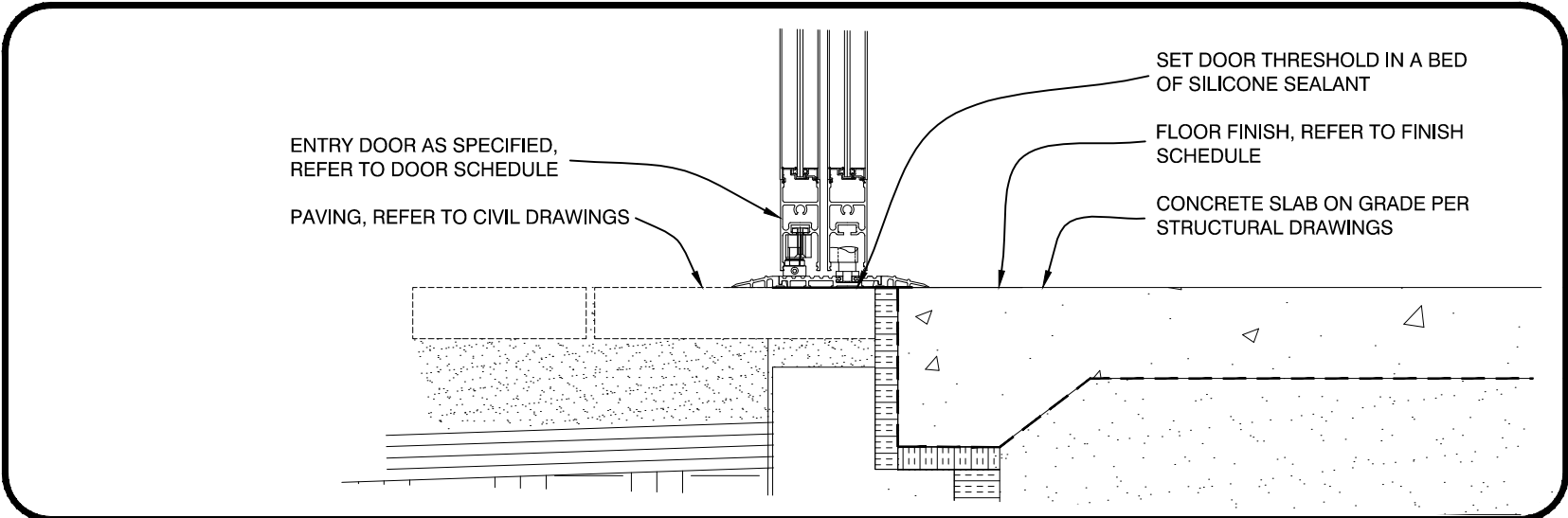
**WINDOW JAMB DETAIL**  
SCALE: 1 1/2\"/>



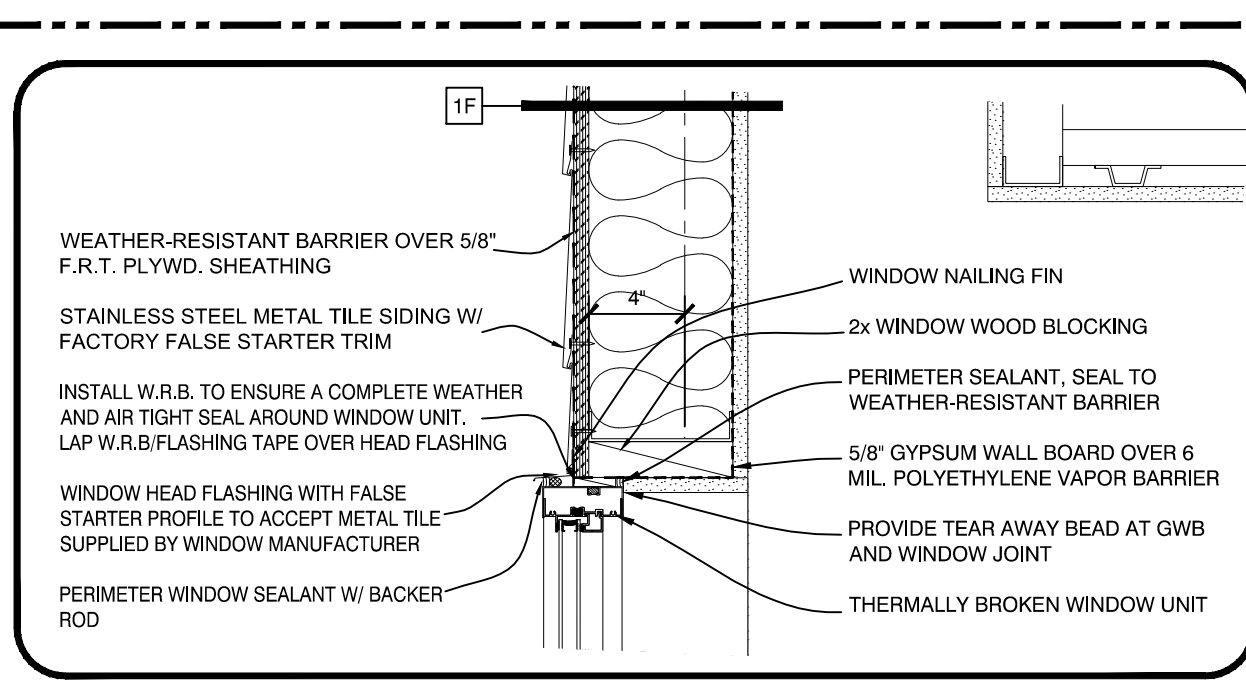
**WINDOW SILL DETAIL**  
SCALE: 1 1/2\"/>



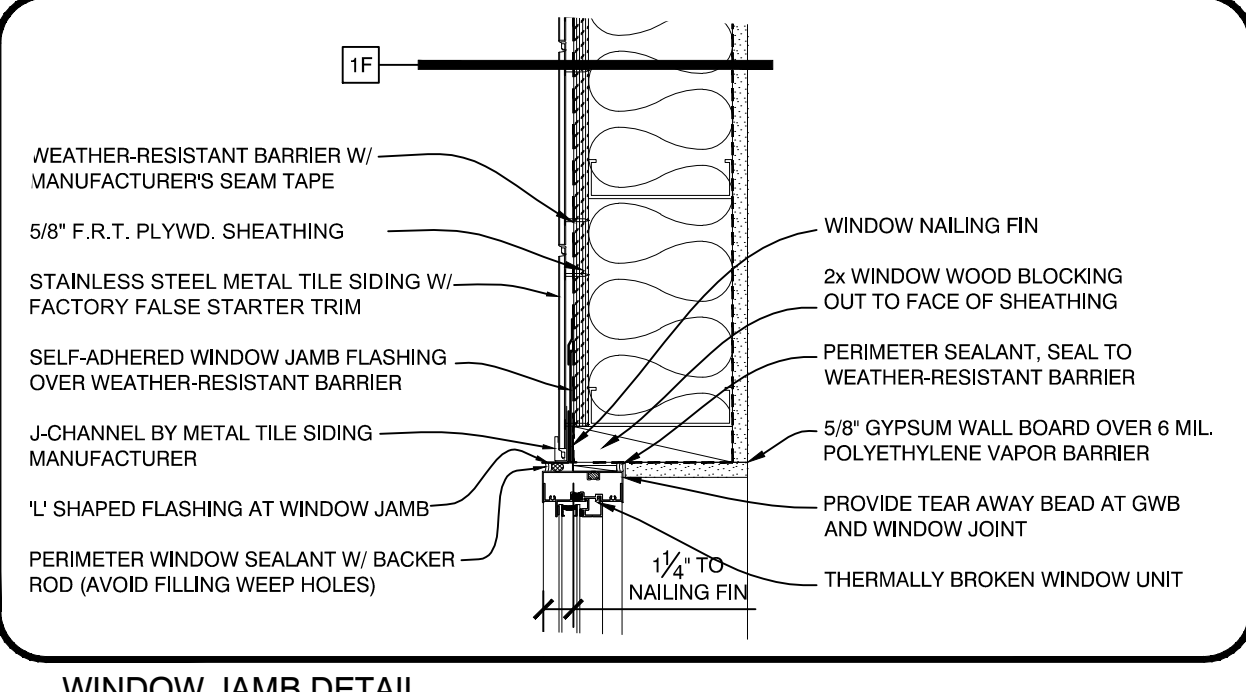
**CANOPY EDGE DETAIL**  
SCALE: 1 1/2\"/>



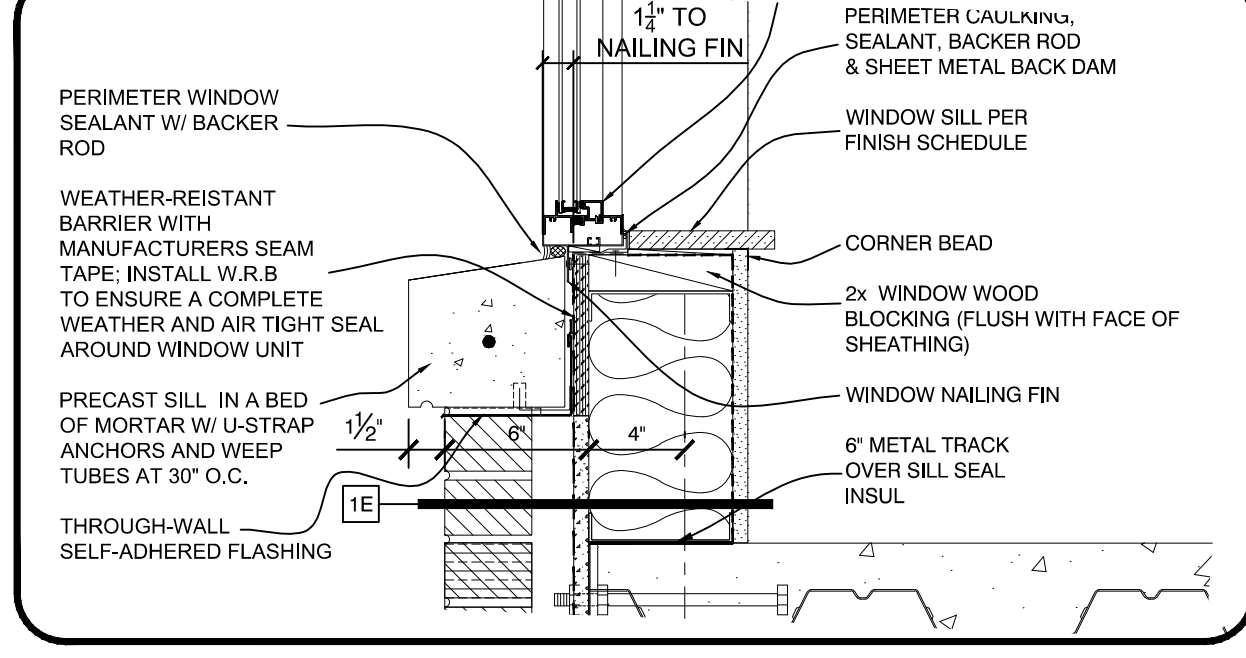
**DOOR SILL DETAIL**  
SCALE: 1 1/2\"/>



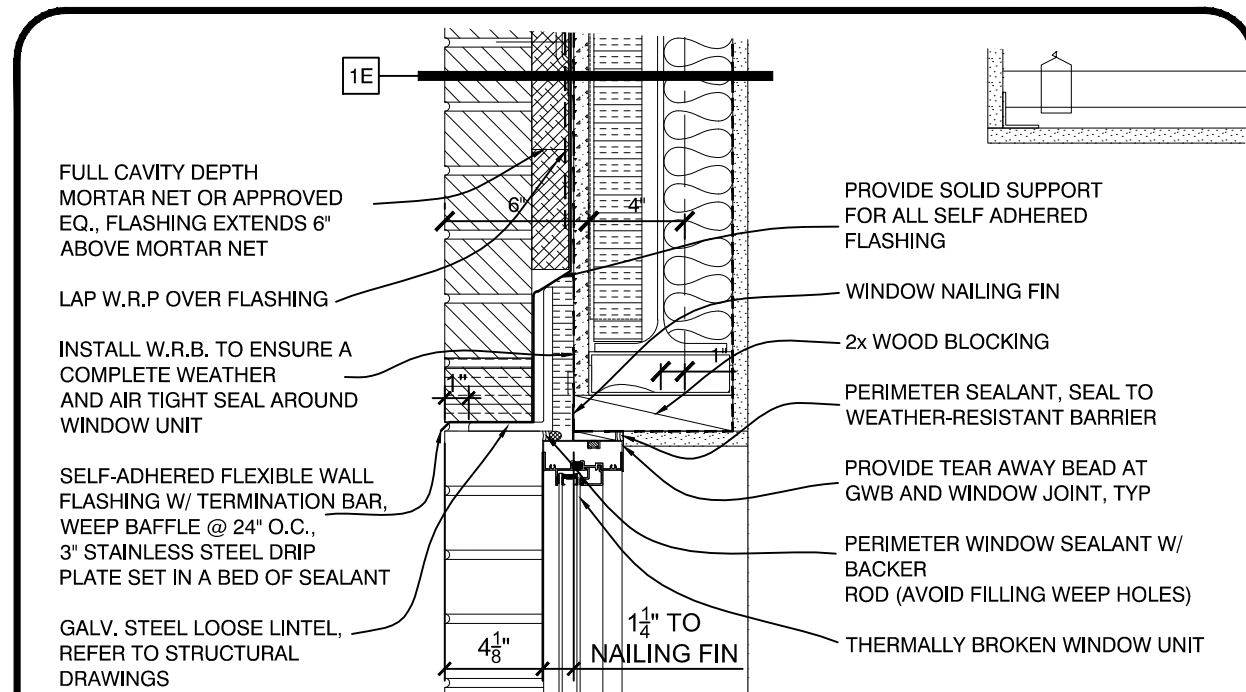
**WINDOW HEAD DETAIL**  
SCALE: 1 1/2\"/>



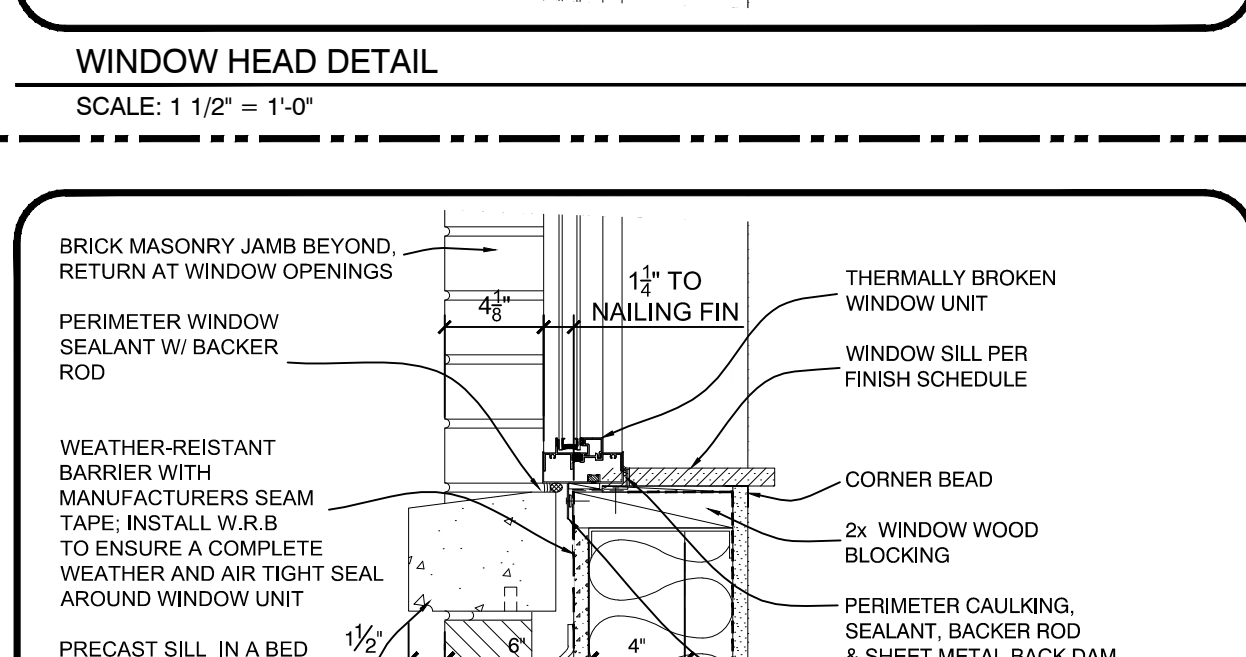
**WINDOW JAMB DETAIL**  
SCALE: 1 1/2\"/>



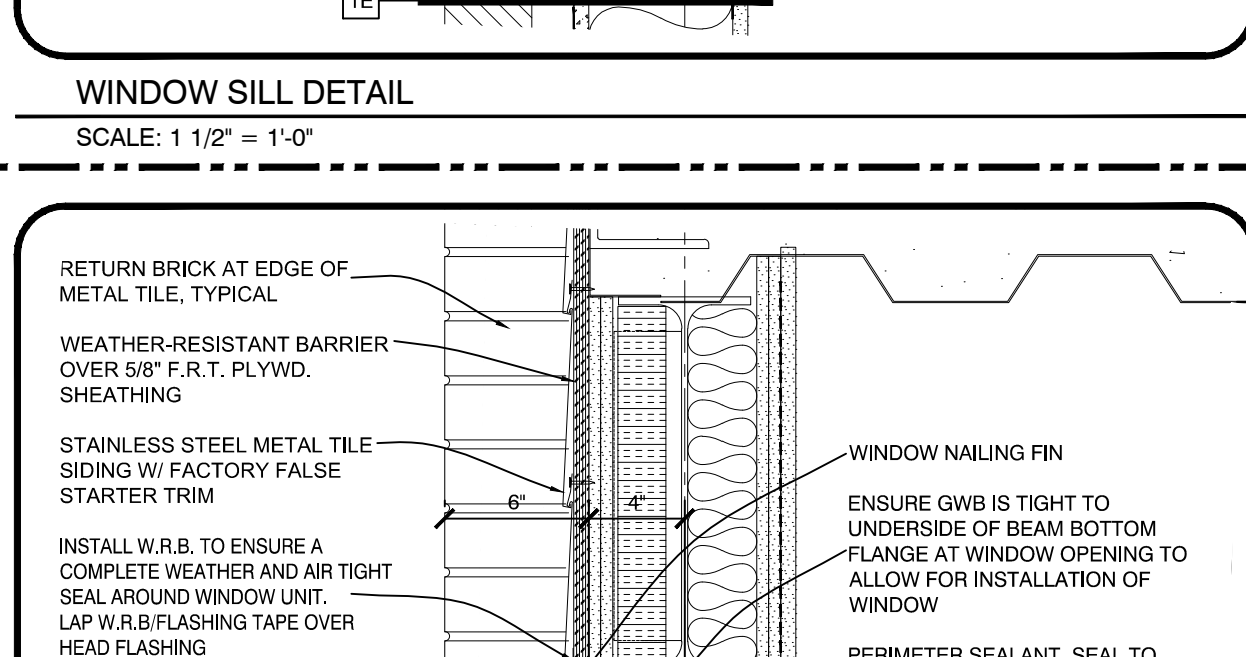
**WINDOW SILL DETAIL**  
SCALE: 1 1/2\"/>



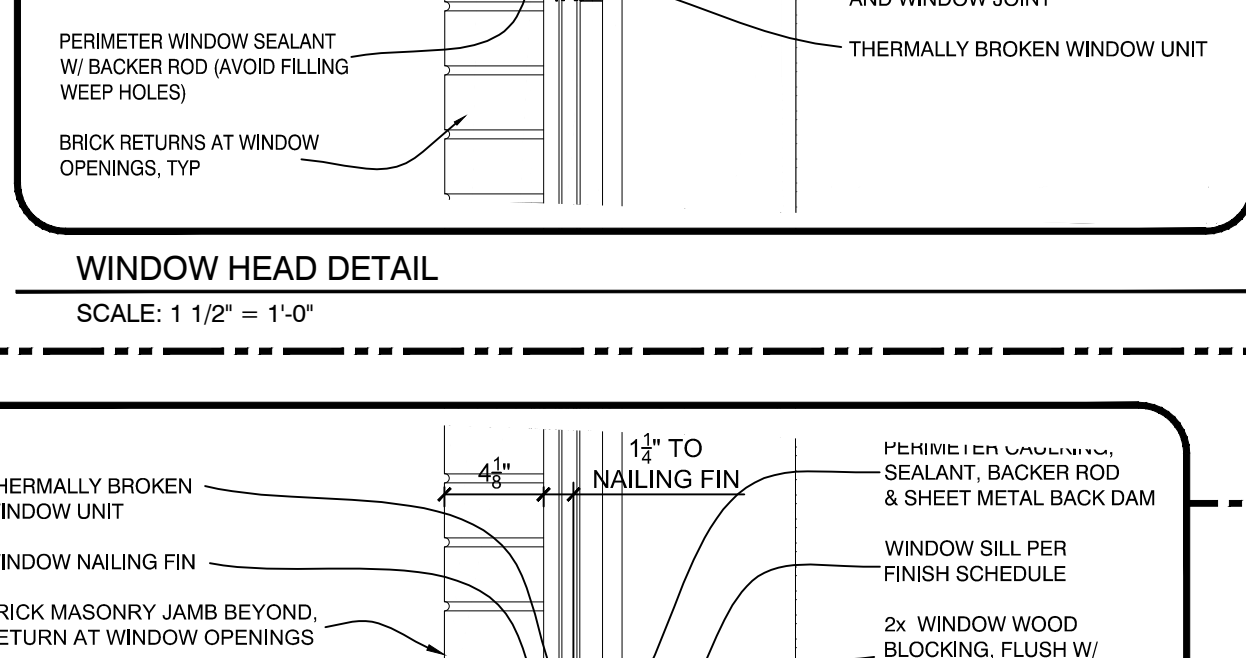
**WINDOW HEAD DETAIL**  
SCALE: 1 1/2\"/>



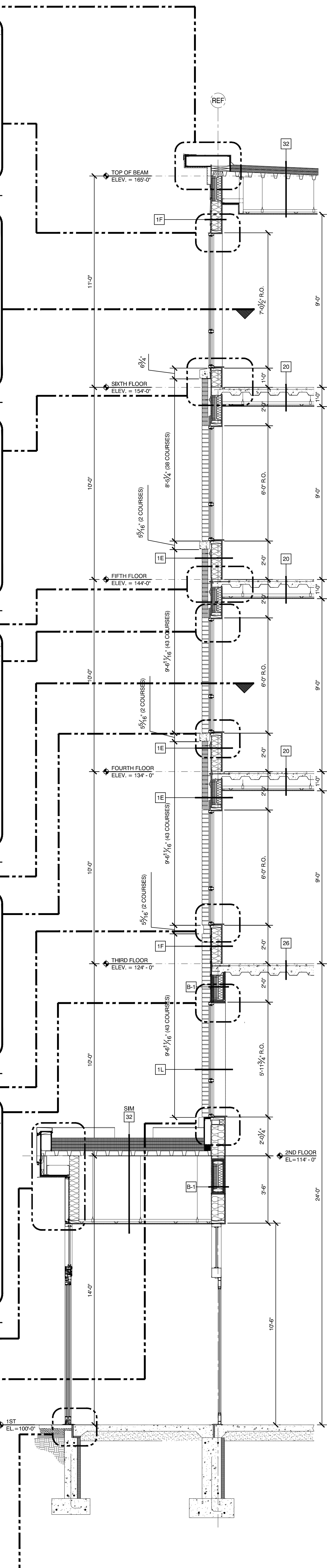
**WINDOW SILL DETAIL**  
SCALE: 1 1/2\"/>



**WINDOW HEAD DETAIL**  
SCALE: 1 1/2\"/>



**WINDOW SILL DETAIL**  
SCALE: 1 1/2\"/>



**3 WALL SECTION**  
SCALE: 3/8\"/>

<b>A4.03</b>	ISSUED:	REVISION:
	10-18-16 60% MARRIOTT REVIEW	11-23-16 ASSEMBLY TAGS ADDED
	10-21-16 BUILDING SHELL PERMIT	02-17-17 DETAILS UPDATED
	01-27-17 DETAILS ADDED	03-03-17 DETAILS/DIMENSIONS UPDATED
03-14-17 BUILDING PERMIT		

**AC HOTELS by MARRIOTT**

Fore Street / Hancock Street / Thames Street  
Portland, Maine

11 CORPORATE DRIVE • BELMONT • NH 03220  
PHONE: (603) 527-9090 • WWW.OPEECHEE.COM