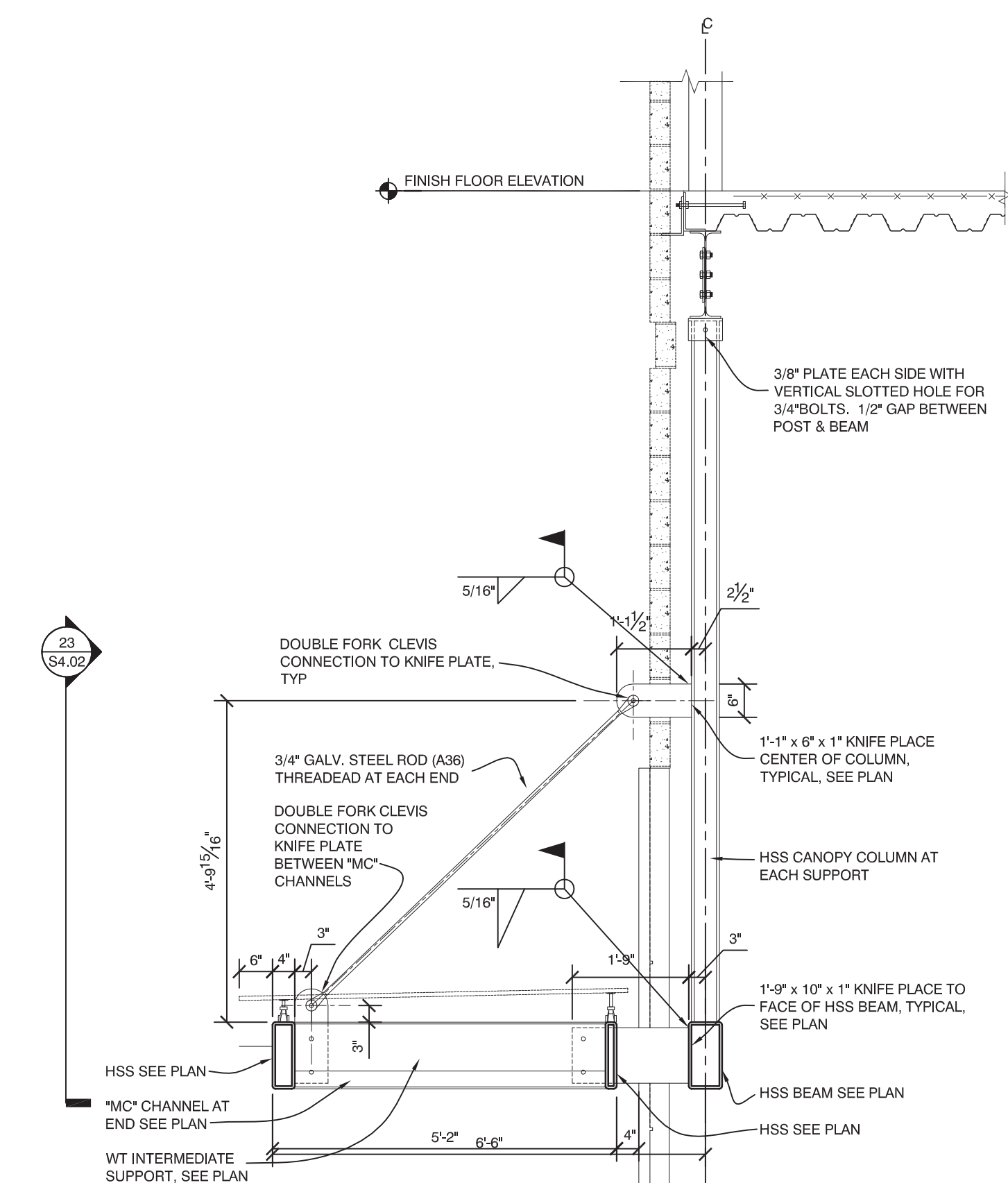
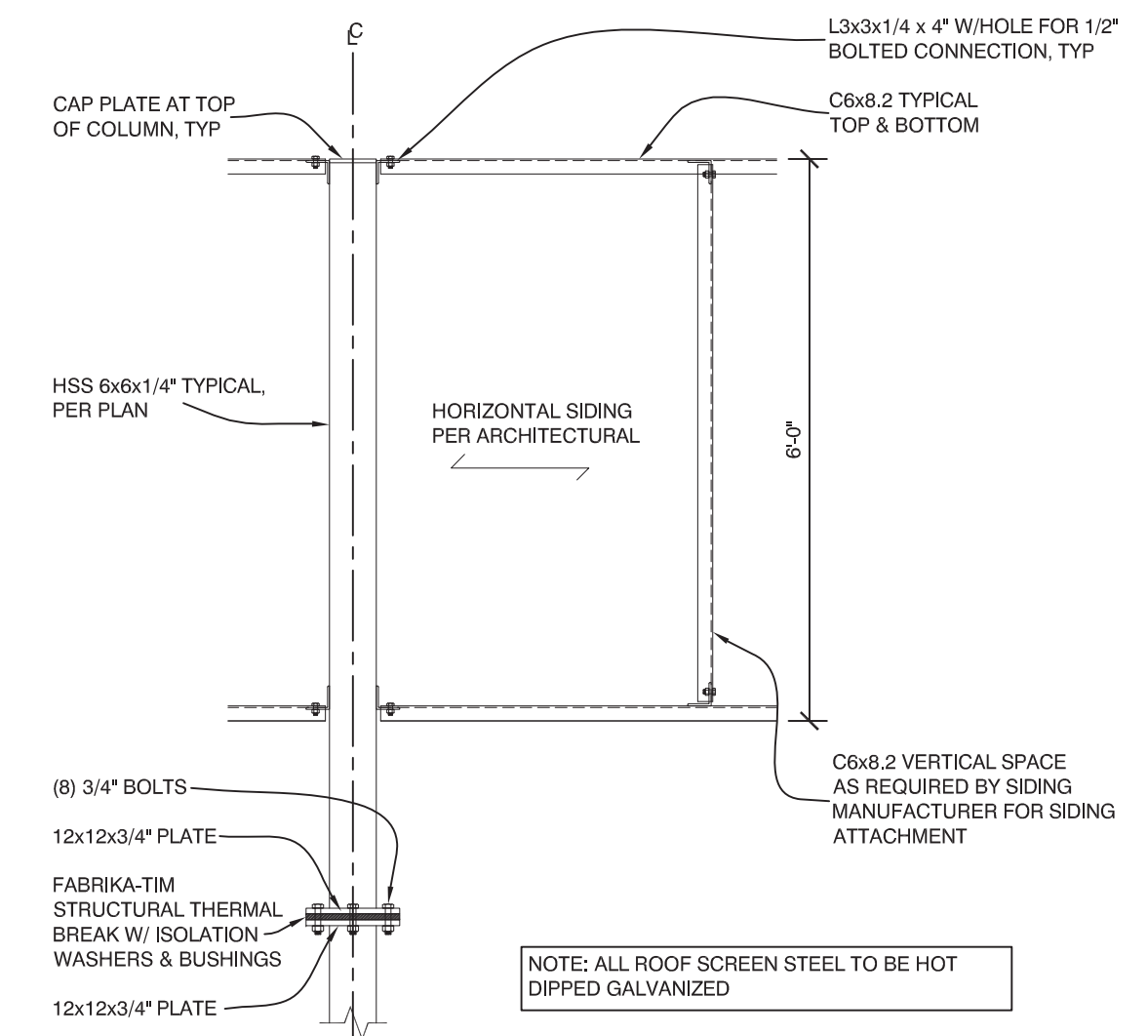


**24** END CONNECTION DETAIL  
1/2" = 1'-0"

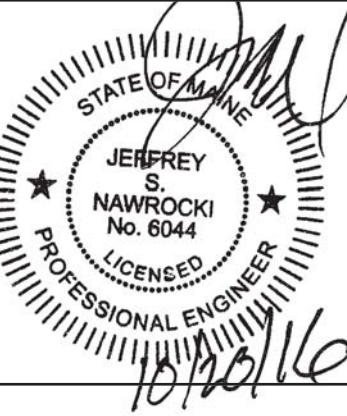


NOTE: ALL CANOPY STEEL, INCLUDING HSS, MC, WT, KNIFE PLATES, TIE RODS & COMPONENTS TO BE COLOR GALVANIZED

**22** CANOPY FRAMING SECTION (CENTER OF POST CONNECTION)  
1/2" = 1'-0"



**25** ROOF SCREEN DETAIL  
1/2" = 1'-0"



**AC HOTELS by MARRIOTT**  
Fore Street / Hancock Street / Thames Street  
Portland, Maine

REVISION:  
10-05-16 ELEVATOR & FRAMING REVISIONS

ISSUED:  
09-02-16 JSN MARKUPS  
10-14-16 FOR CONSTRUCTION

project architect: KAK  
drawn by: DLS

**FRAMING DETAILS**

sheet number:  
**S4.02**