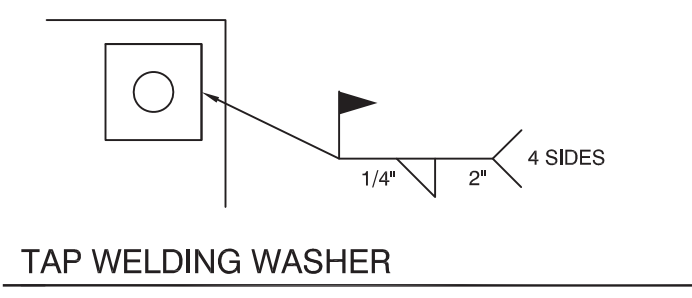
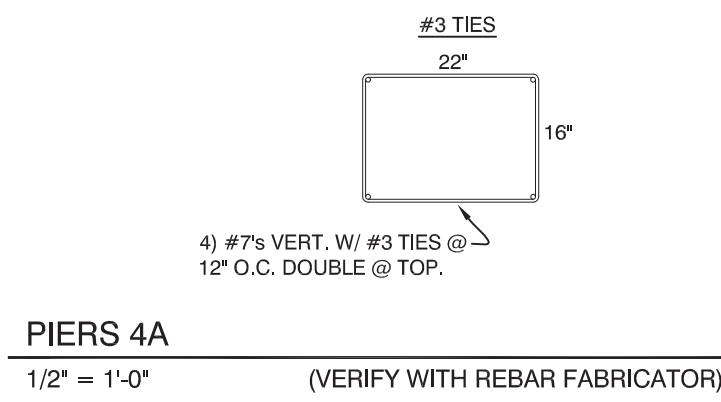


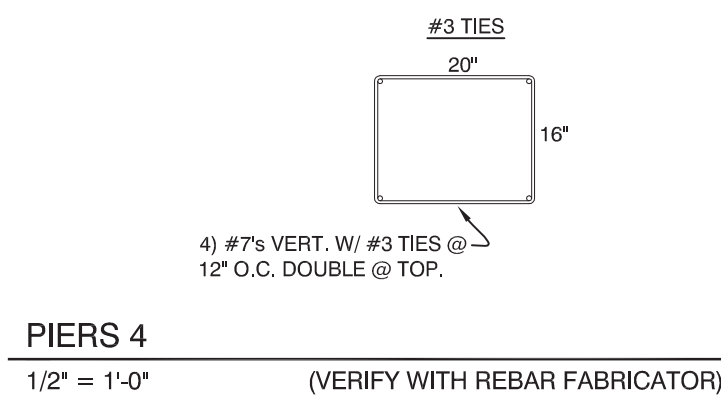
ANCHOR BOLT SCHEDULE					
TYPE	DIAMETER	EMBEDMENT	TOTAL LENGTH	HOLE Ø	NOTES
AB-1	3/4" Ø	12"	16"	1 1/16"	
AB-2	1" Ø	16"	20"	1 5/16"	
AB-3	1 1/4" Ø	20"	24"	1 13/16"	3/8" x 3" x 3" WELDING WASHERS



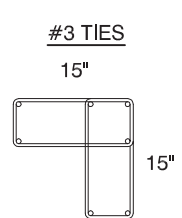
ANCHOR BOLTS
1/2" = 1'-0"



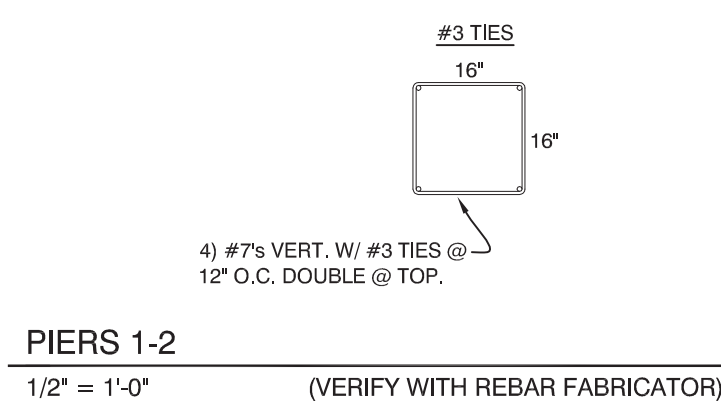
PIERS 4A
1/2" = 1'-0" (VERIFY WITH REBAR FABRICATOR)



PIERS 4
1/2" = 1'-0" (VERIFY WITH REBAR FABRICATOR)

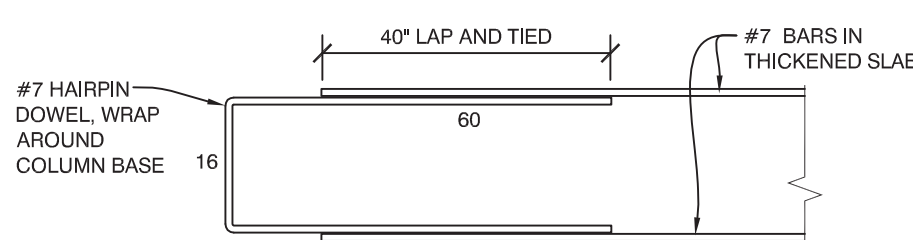


PIERS 3
1/2" = 1'-0" (VERIFY WITH REBAR FABRICATOR)

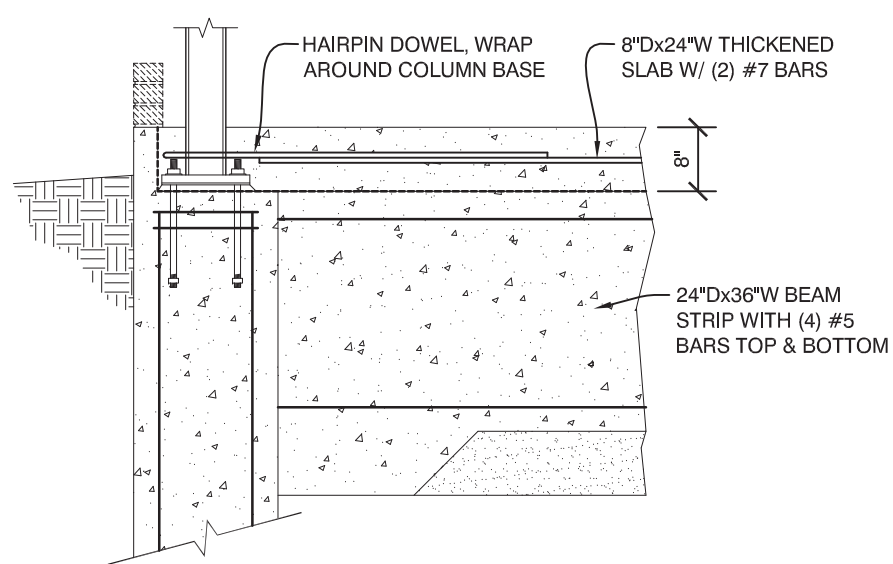


PIERS 1-2
1/2" = 1'-0" (VERIFY WITH REBAR FABRICATOR)

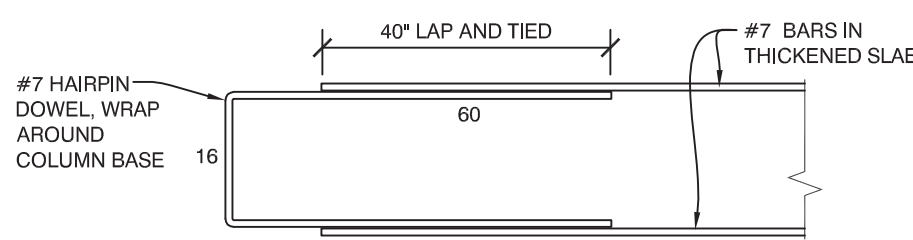
NOTE: (4) #7s VERT. W/ #3 TIES @ 12" O.C. DOUBLE @ TOP, #7 VERT TO HAVE 15" BOTTOM LEG IN PIER CAP, TYPICAL PIER REINFORCING UNLESS NOTED OTHERWISE ON DETAILS BELOW.
TIE DIMENSIONS BY REBAR FABRICATOR, BASED ON PIER DIMENSIONS.



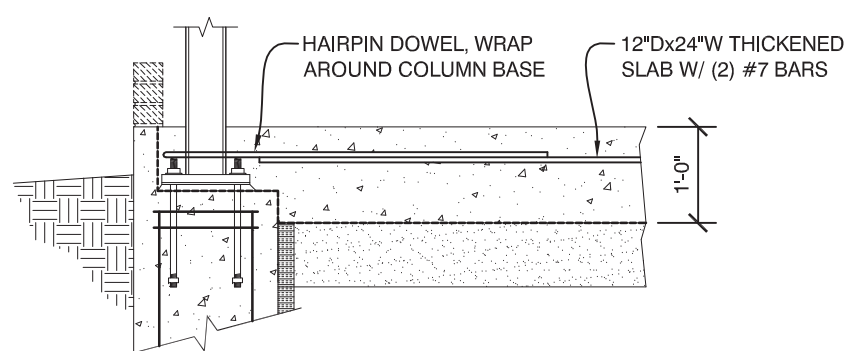
PLAN VIEW #7 TIES



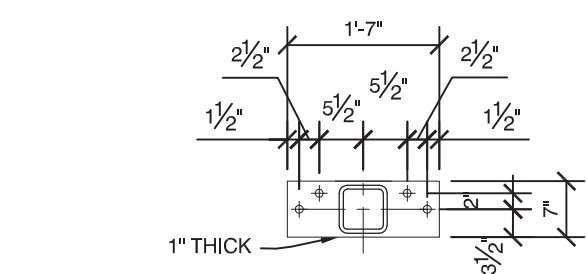
18 BARS AT THICKENED SLAB OVER BEAM STRIPS AND AROUND COLUMNS
1/2" = 1'-0"



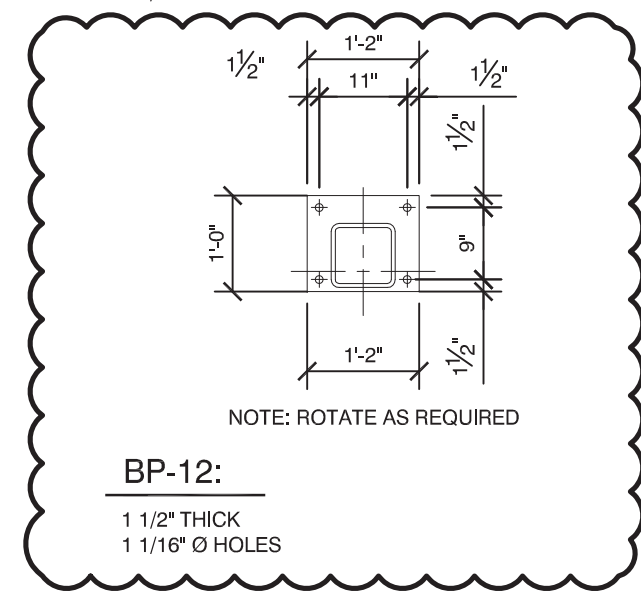
PLAN VIEW #7 TIES



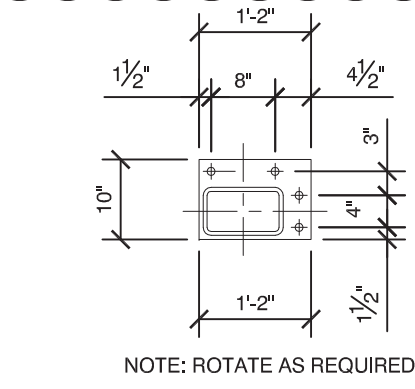
17 BARS AT THICKENED SLAB AND AROUND COLUMNS
1/2" = 1'-0"



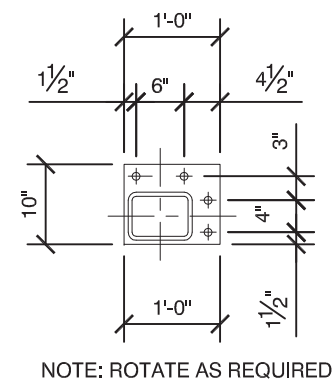
BP-13:
1" THICK
1 1/16" Ø HOLES



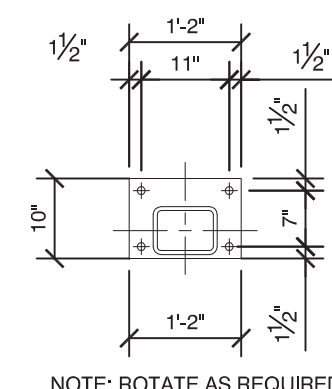
BP-12:
1 1/2" THICK
1 1/16" Ø HOLES



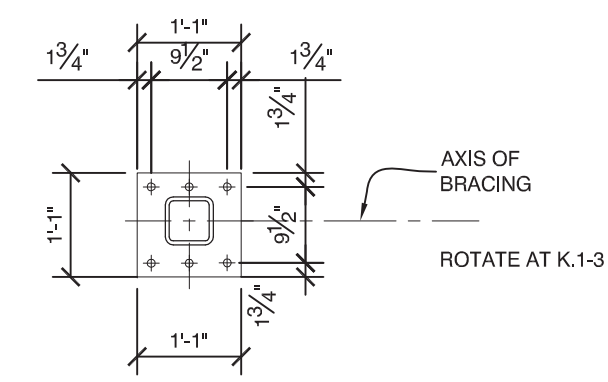
BP-11:
1 1/4" THICK
1 1/16" Ø HOLES



BP-10:
1 1/4" THICK
1 1/16" Ø HOLES

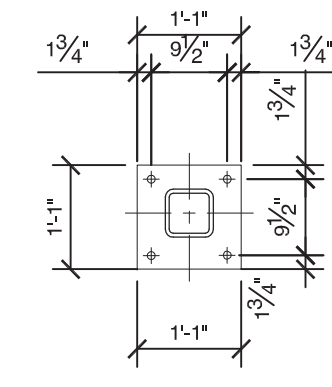


BP-9:
1 1/2" THICK
1 1/16" Ø HOLES



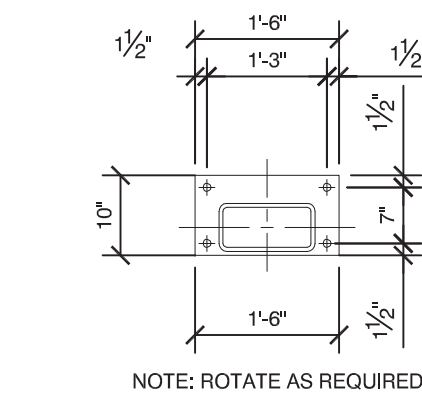
BP-8:
1" THICK
1 13/16" Ø HOLES

NOTE: SEE BRACE FRAME LOCATIONS ON FOUNDATION PLAN FOR PLATES REQUIRING 1" x 20" BOLTS & 1 5/16" Ø HOLES. NOTED AS AB-2 OR 3 AT PILE CAPS ON FOUNDATION ON PLAN

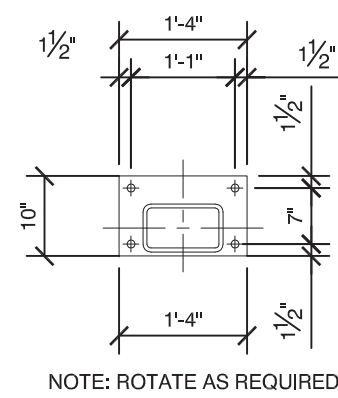


BP-7:
1" THICK
1 13/16" Ø HOLES

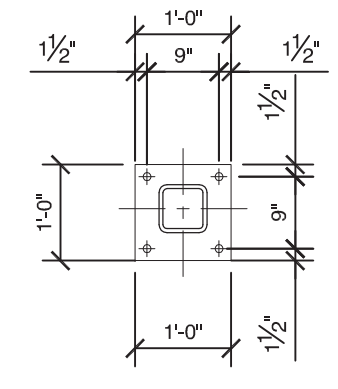
NOTE: SEE BRACE FRAME LOCATIONS ON FOUNDATION PLAN FOR PLATES REQUIRING 1" x 20" BOLTS & 1 5/16" Ø HOLES. NOTED AS AB-2 OR 3 AT PILE CAPS ON FOUNDATION ON PLAN



BP-6:
1 1/4" THICK
1 1/16" Ø HOLES

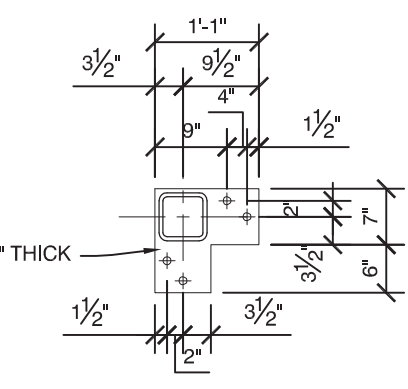


BP-5:
1 1/4" THICK
1 1/16" Ø HOLES

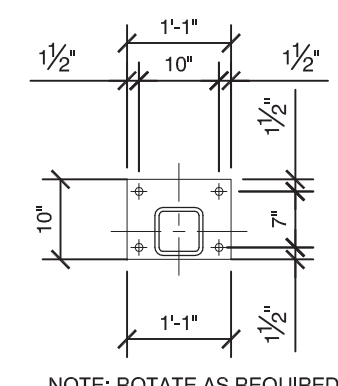


BP-4:
1" THICK
1 1/16" Ø HOLES

NOTE: SEE BRACE FRAME LOCATIONS ON FOUNDATION PLAN FOR PLATES REQUIRING 1" x 20" BOLTS & 1 5/16" Ø HOLES. NOTED AS AB-2 AT PILE CAPS ON FOUNDATION ON PLAN

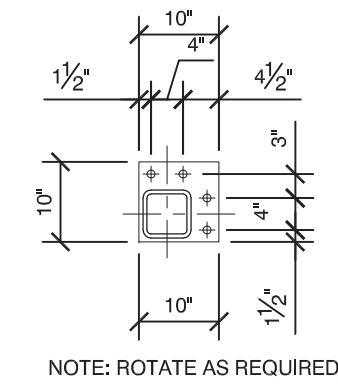


BP-3:
1" THICK
1 1/16" Ø HOLES



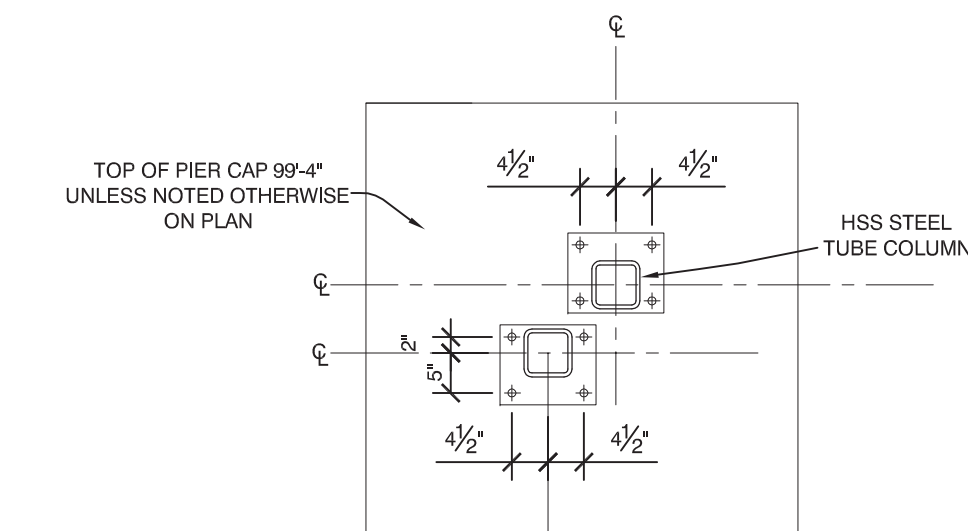
BP-2A: BP-2B: BP-2C:
1" THICK
1 1/16" Ø HOLES

NOTE: SEE BRACE FRAME LOCATIONS ON FOUNDATION PLAN FOR PLATES REQUIRING 1" x 20" BOLTS & 1 5/16" Ø HOLES. NOTED AS AB-2 OR 3 AT PILE CAPS ON FOUNDATION ON PLAN

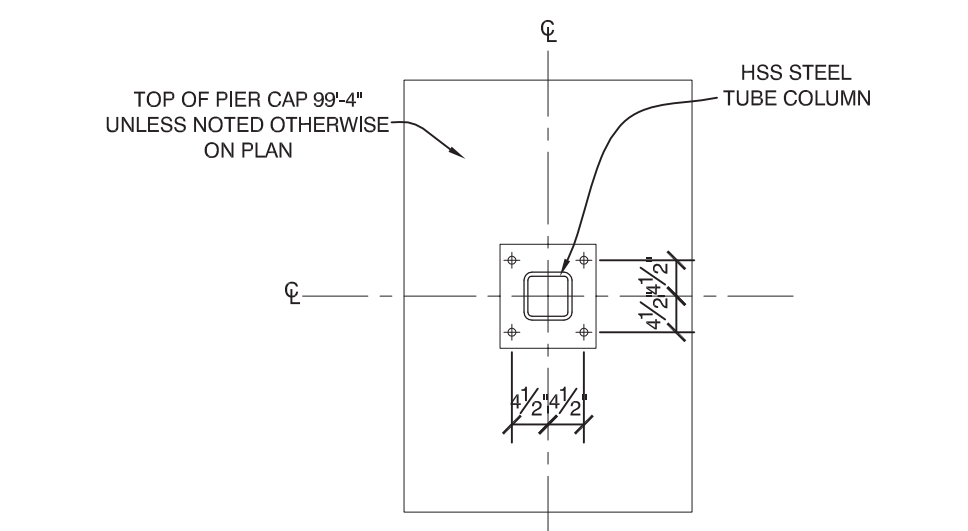


BP-1A: BP-1B: BP-1C:
1" THICK
1 1/16" Ø HOLES

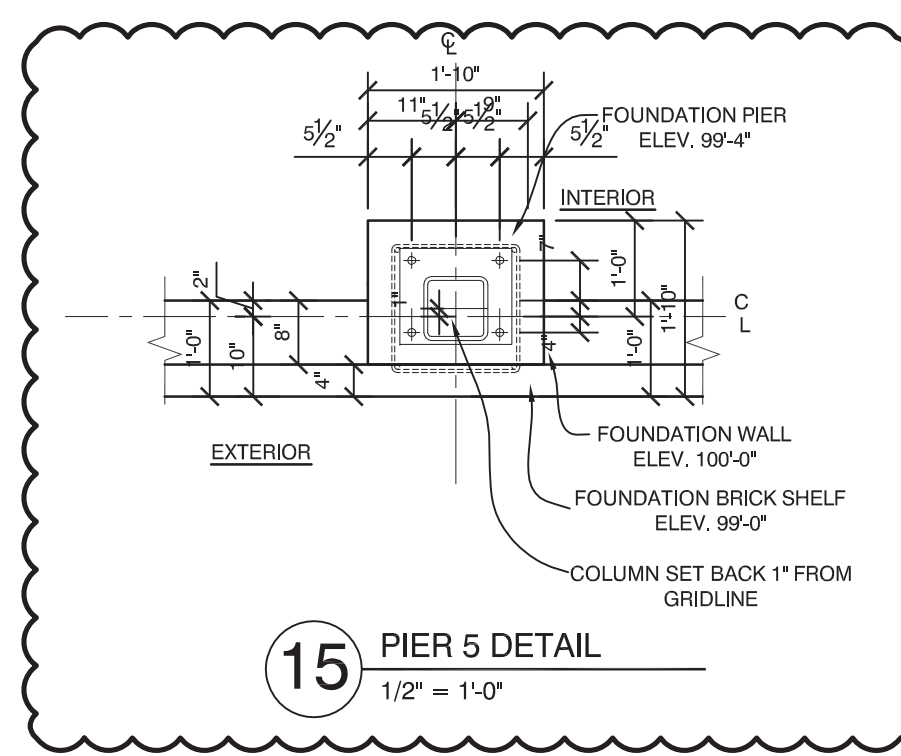
NOTE: SEE BRACE FRAME LOCATIONS ON FOUNDATION PLAN FOR PLATES REQUIRING 1" x 20" BOLTS & 1 5/16" Ø HOLES. NOTED AS AB-2 OR 3 AT PILE CAPS ON FOUNDATION ON PLAN



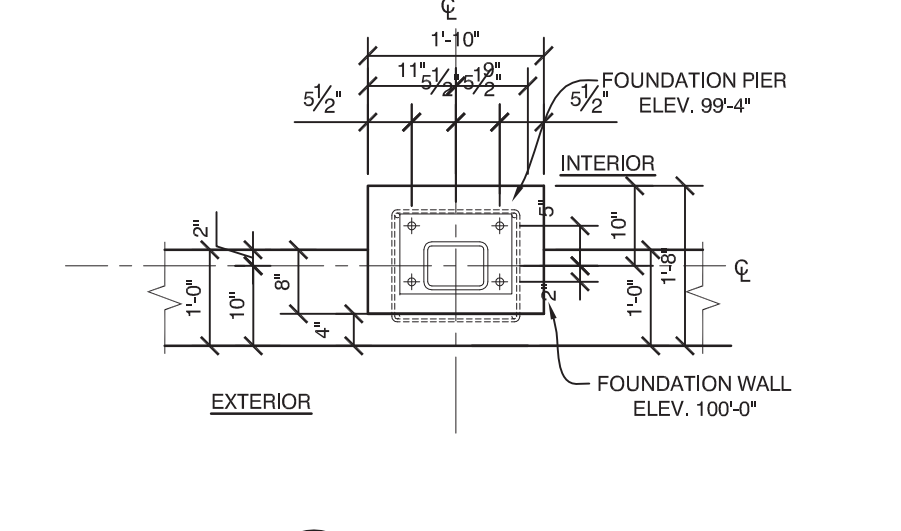
16A BASEPLATE INTERIOR PIER CAP DETAIL
1/2" = 1'-0"



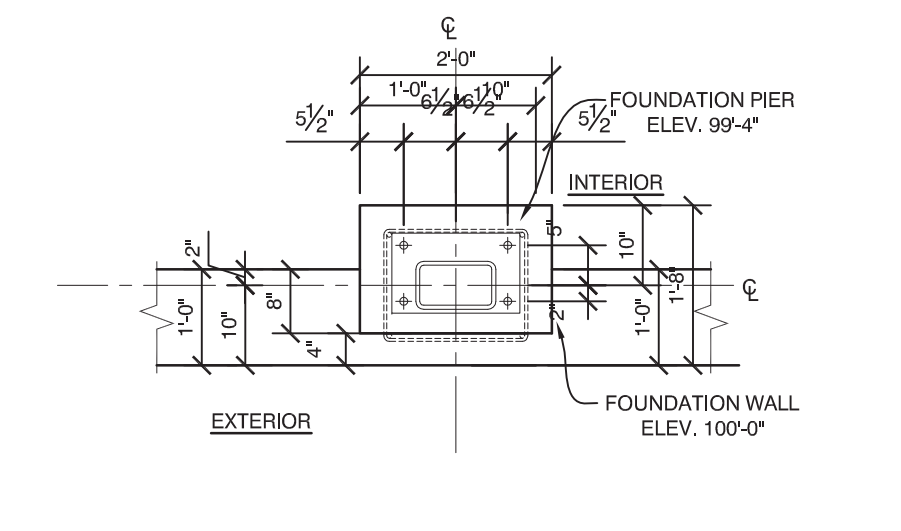
16 BASEPLATE INTERIOR PIER CAP DETAIL
1/2" = 1'-0" (BASEPLATES VARY, SEE PLAN)



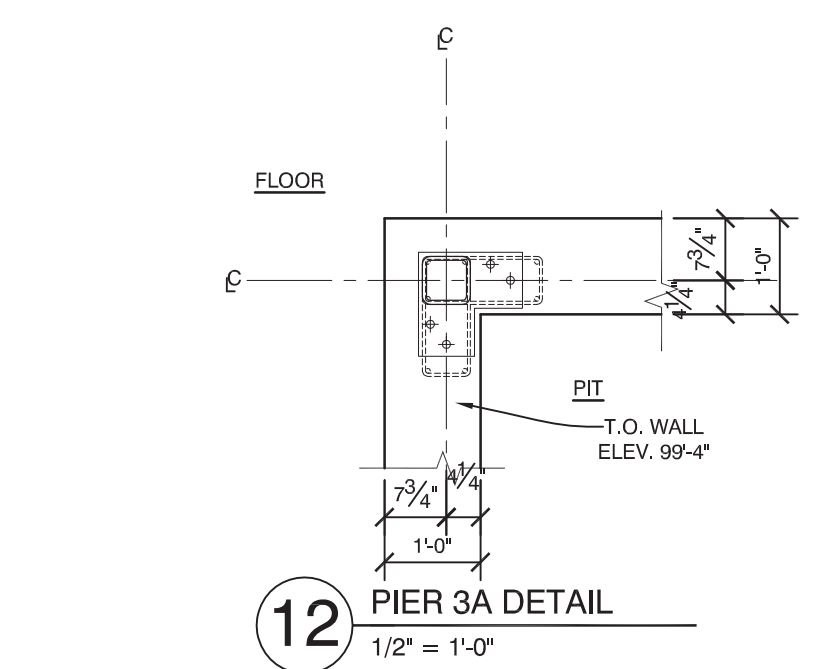
15 PIER 5 DETAIL
1/2" = 1'-0"



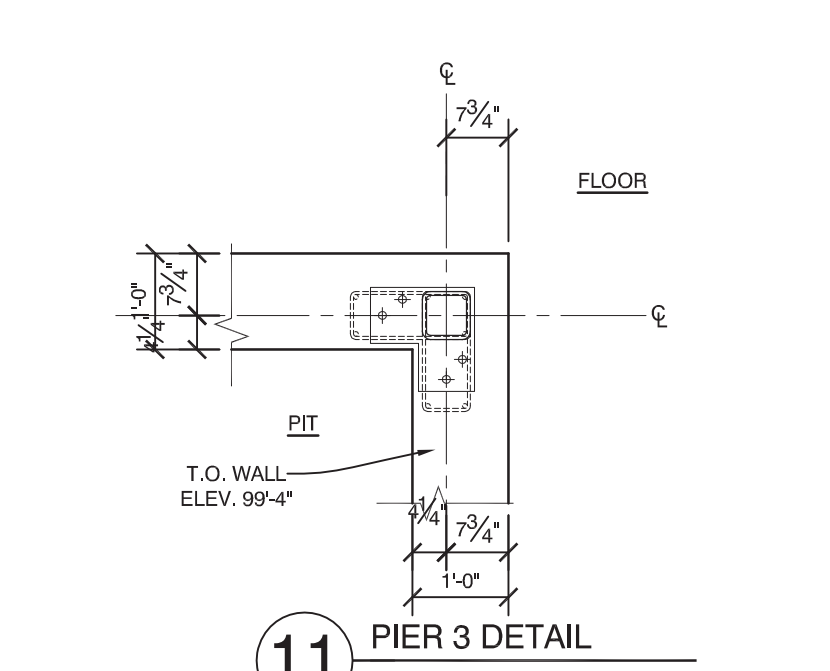
14 PIER 4B DETAIL
1/2" = 1'-0"



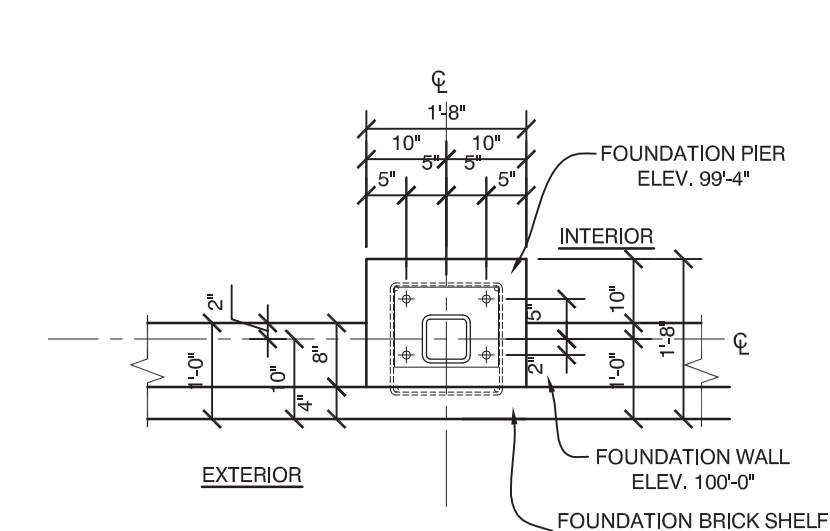
13 PIER 4 DETAIL
1/2" = 1'-0"



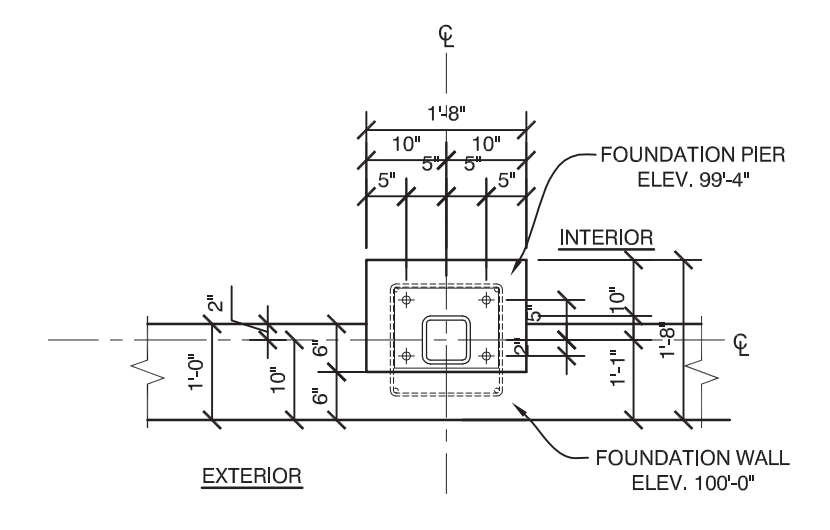
12 PIER 3A DETAIL
1/2" = 1'-0"



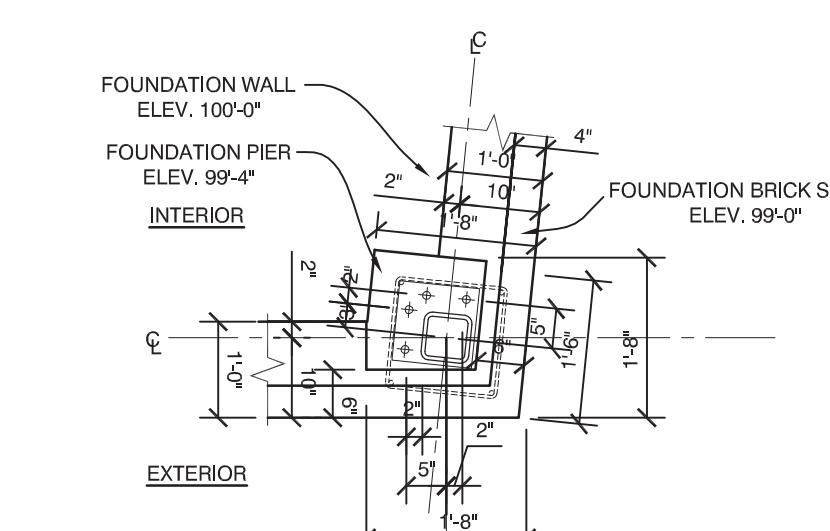
11 PIER 3 DETAIL
1/2" = 1'-0"



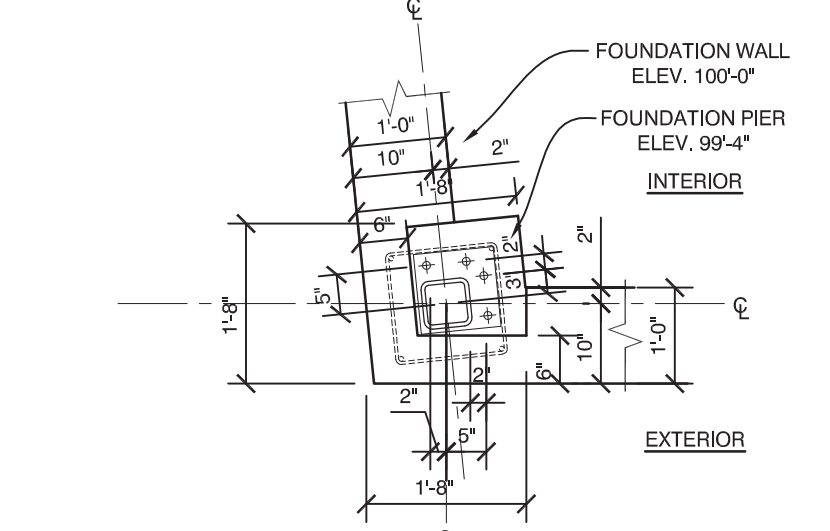
10 PIER 2A DETAIL
1/2" = 1'-0"



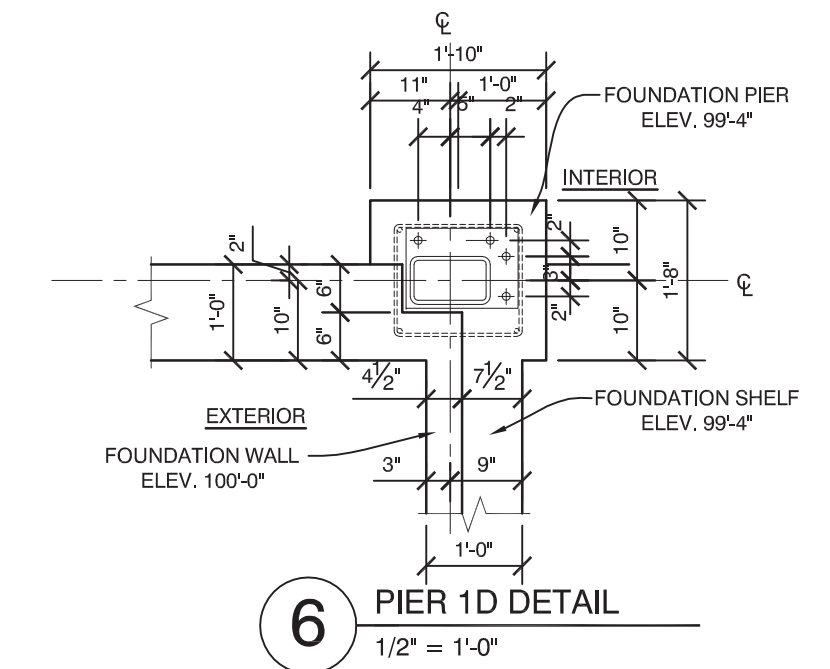
9 PIER 2 DETAIL
1/2" = 1'-0"



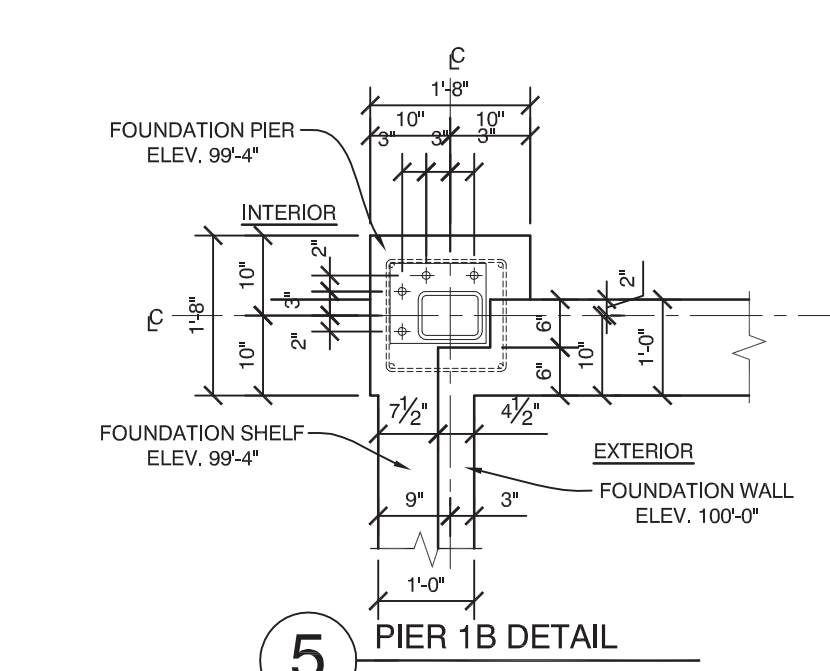
8 PIER 1C DETAIL
1/2" = 1'-0"



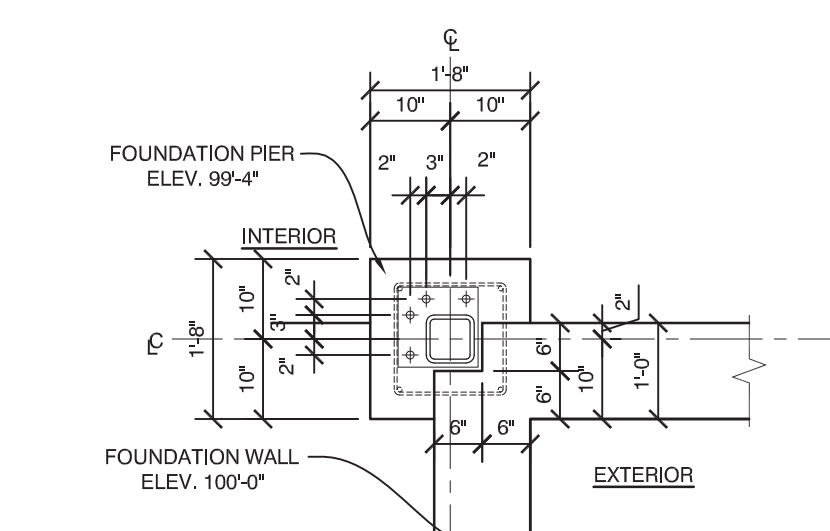
7 PIER 1C DETAIL
1/2" = 1'-0"



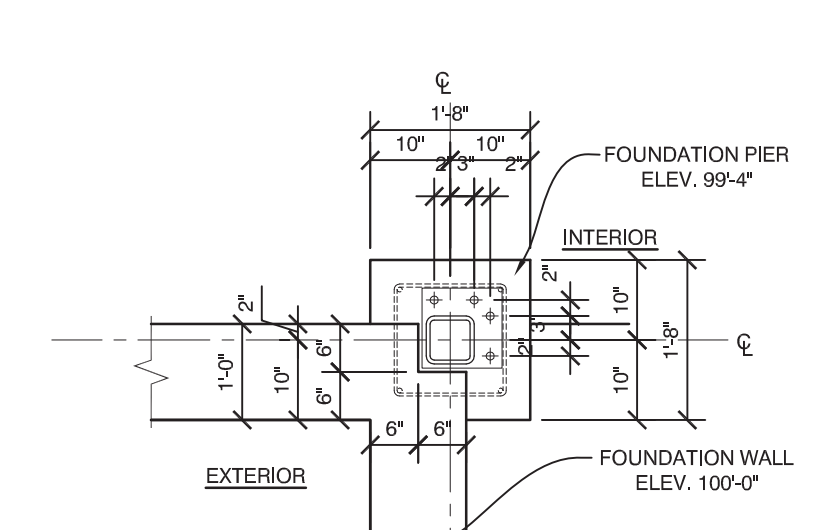
6 PIER 1D DETAIL
1/2" = 1'-0"



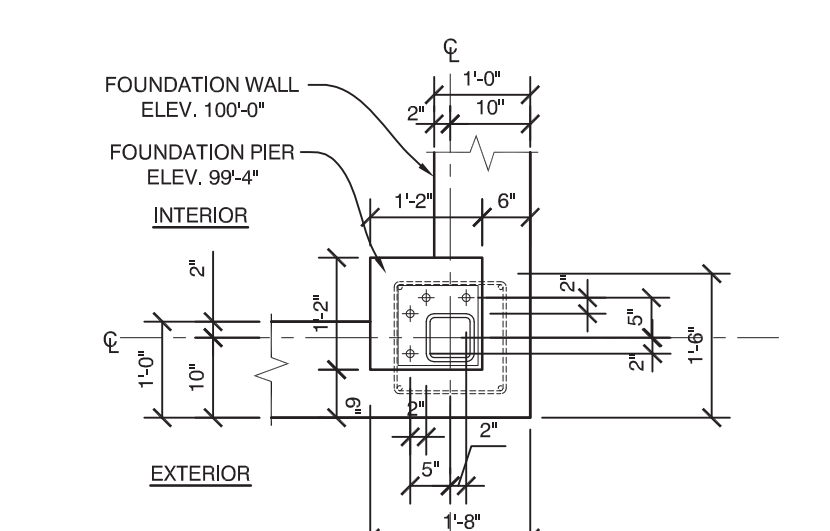
5 PIER 1B DETAIL
1/2" = 1'-0"



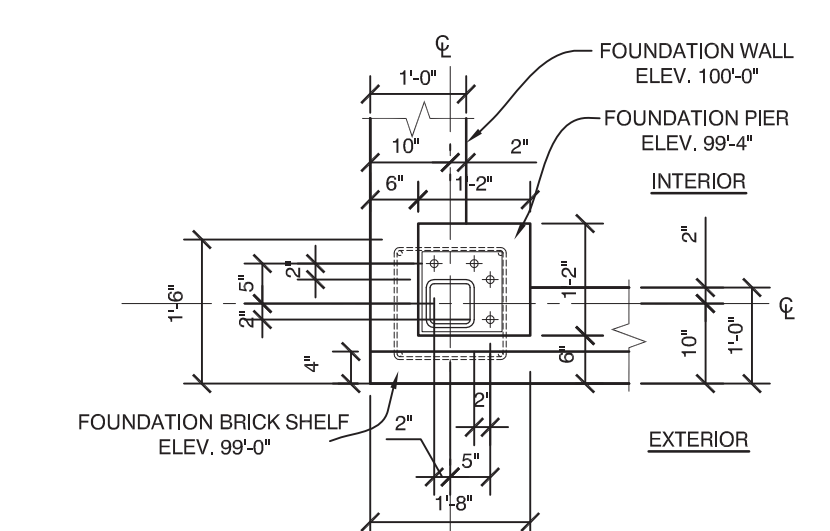
4 PIER 1A DETAIL
1/2" = 1'-0"



3 PIER 1A DETAIL
1/2" = 1'-0"



2 PIER 1 DETAIL
1/2" = 1'-0"



1 PIER 1 DETAIL
1/2" = 1'-0"

