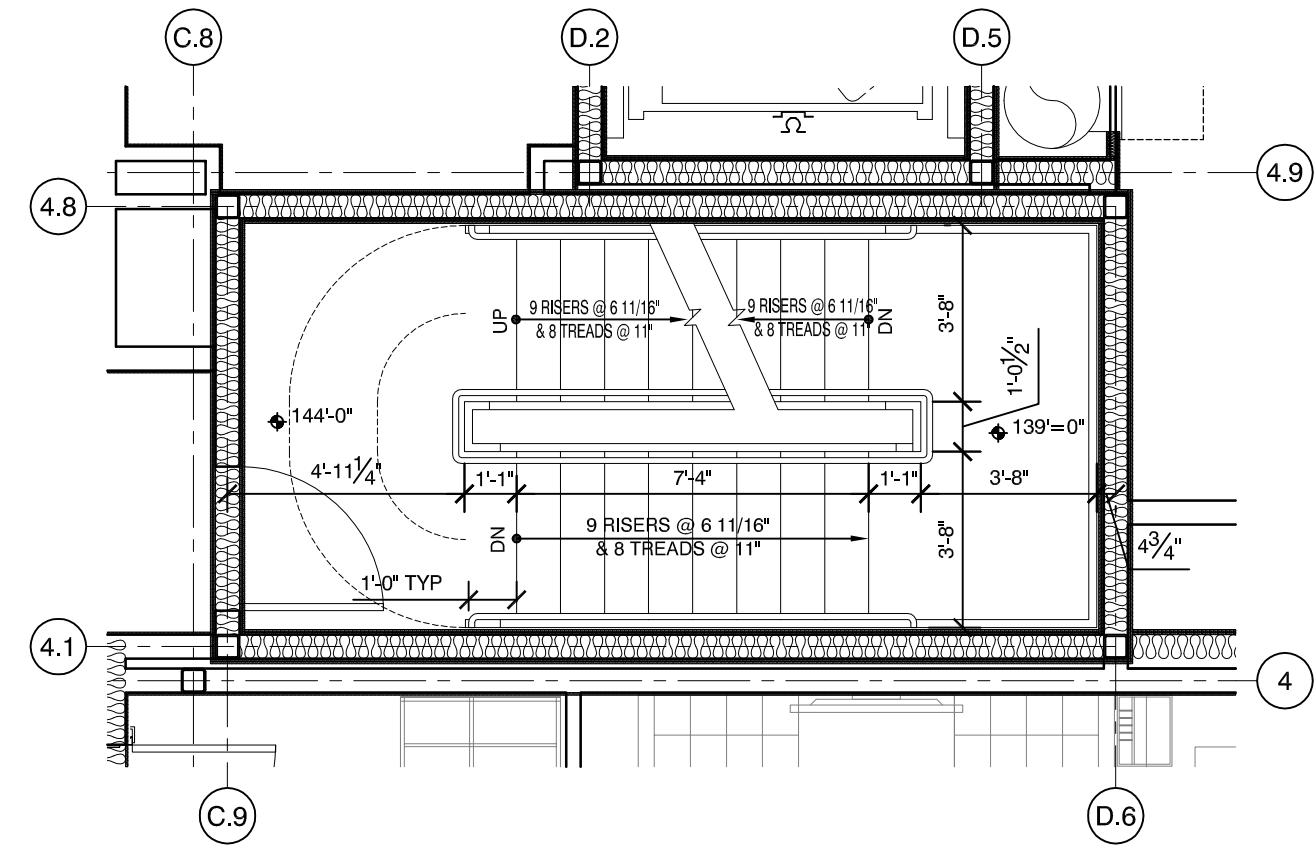
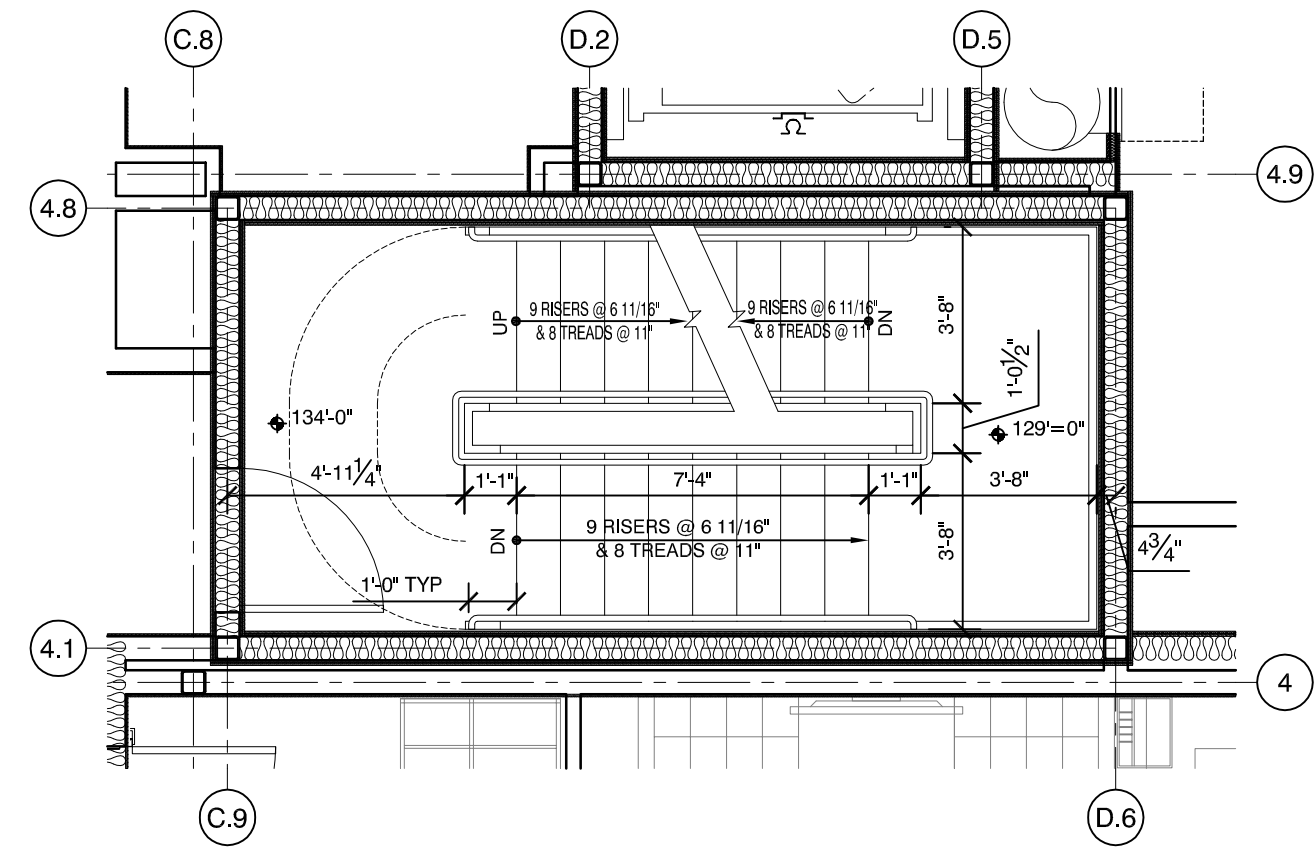


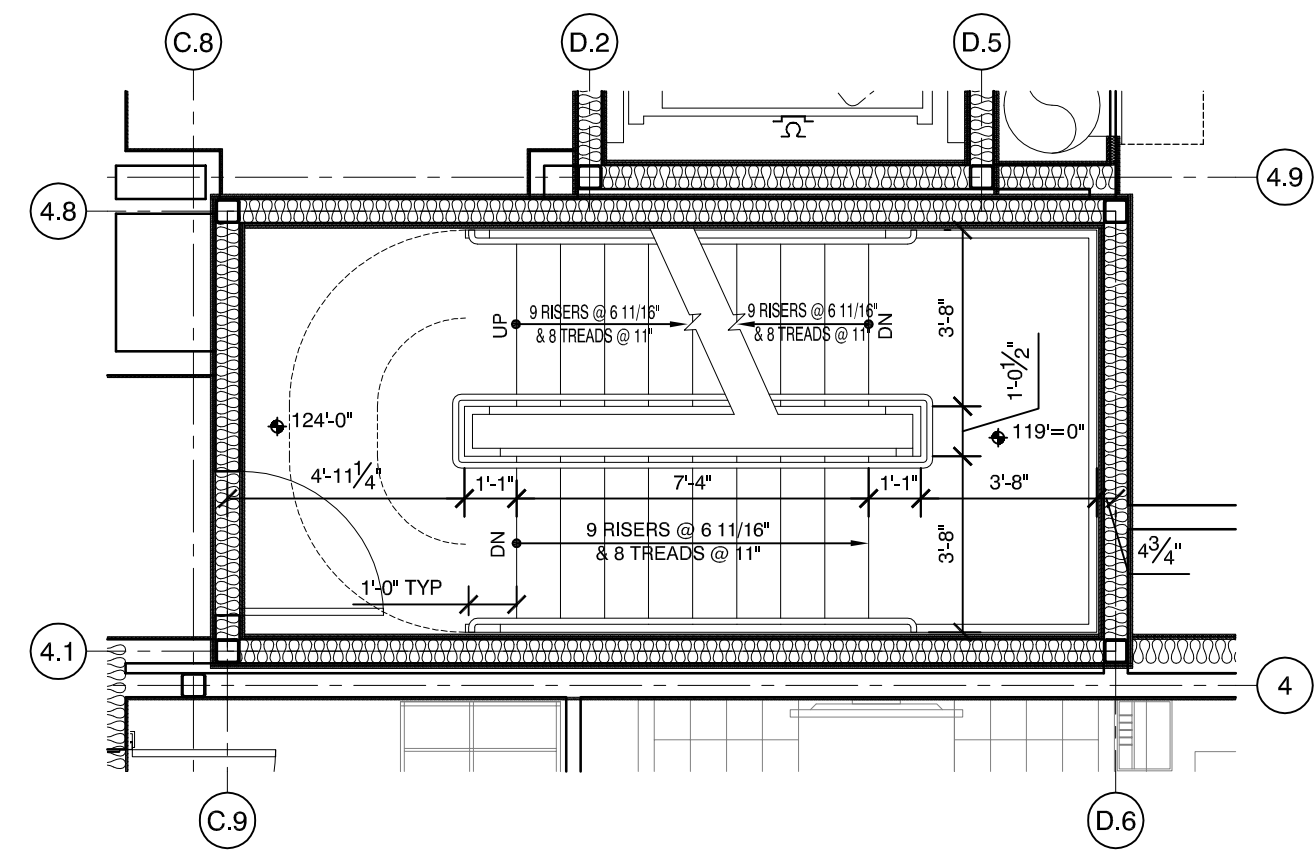
7 STAIR-1 SIXTH FLOOR PLAN
1/4" = 1'-0"



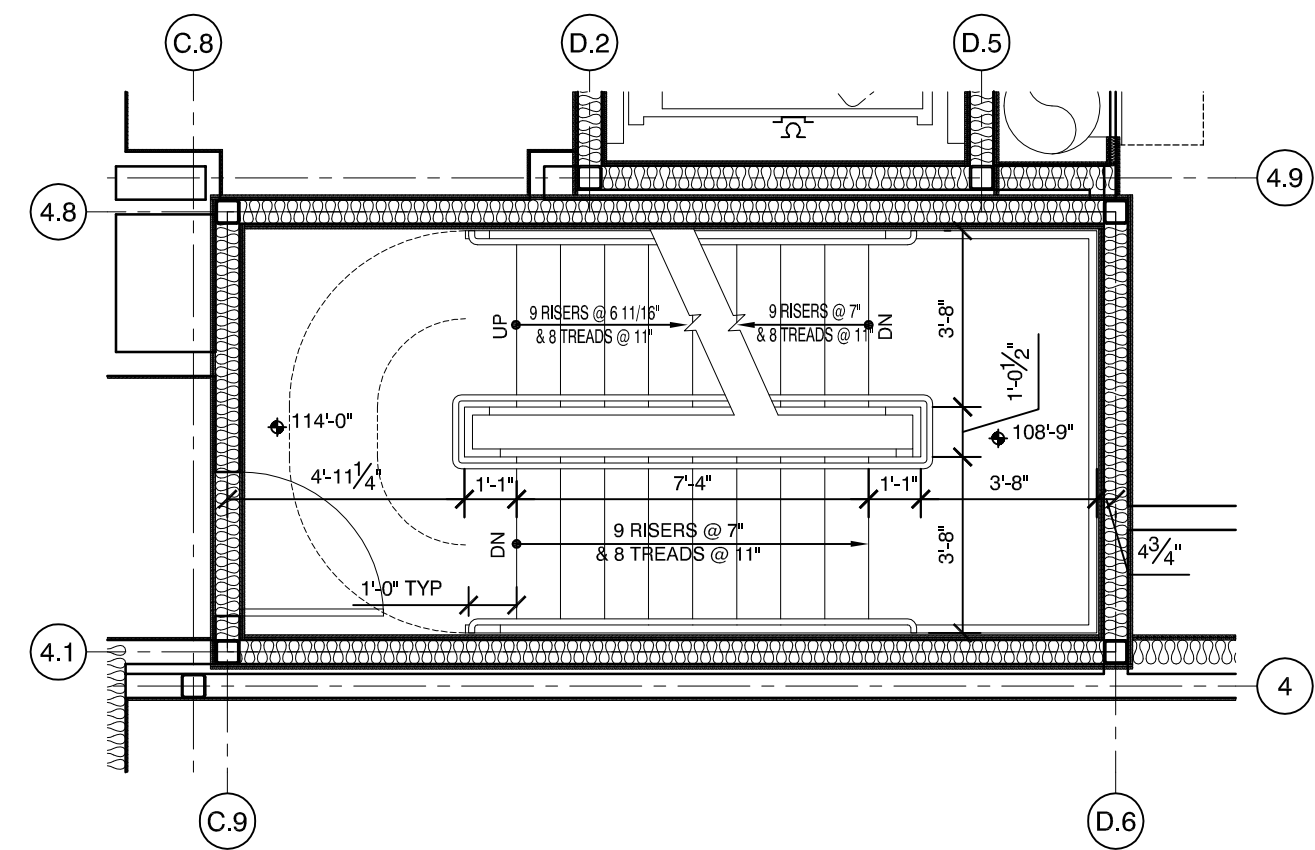
6 STAIR-1 FIFTH FLOOR PLAN
1/4" = 1'-0"



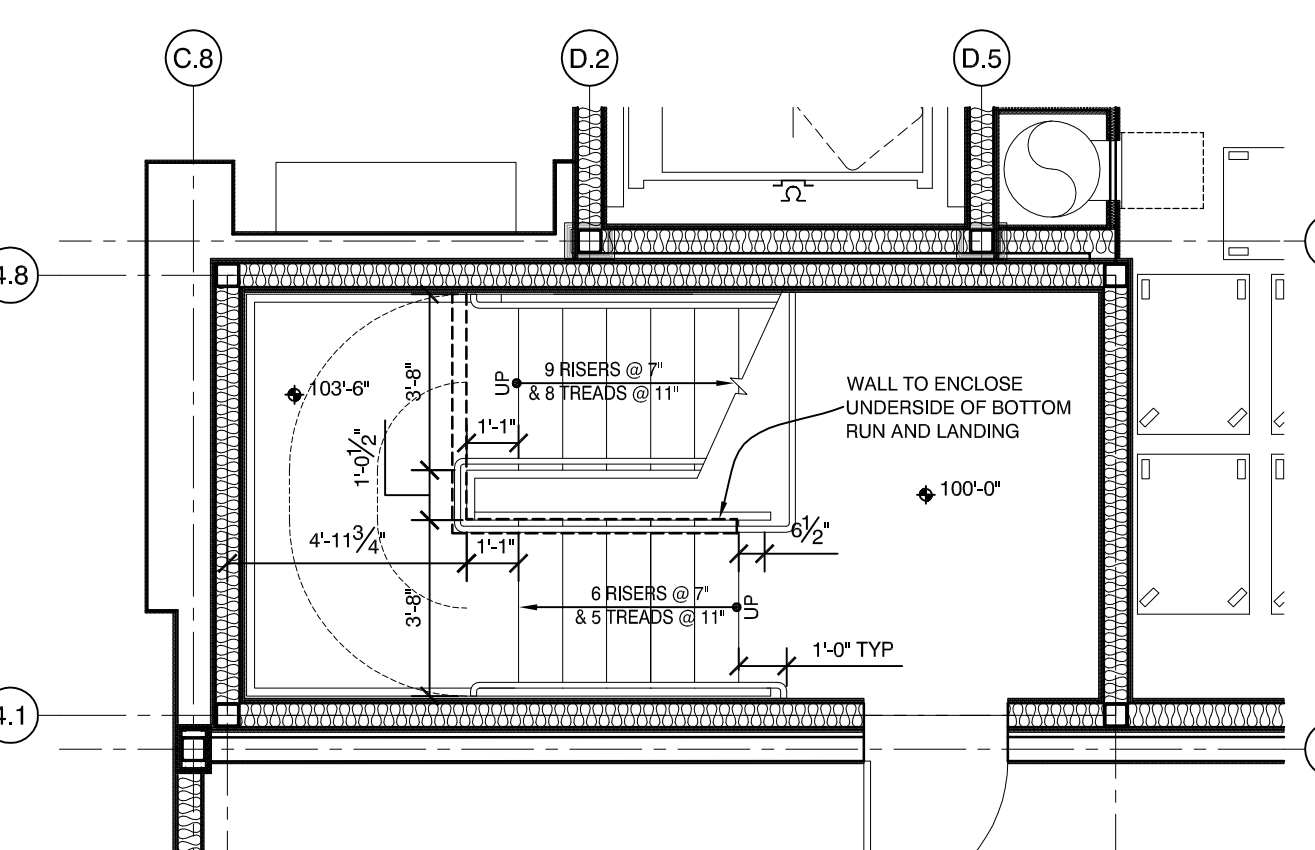
5 STAIR-1 FOURTH FLOOR PLAN
1/4" = 1'-0"



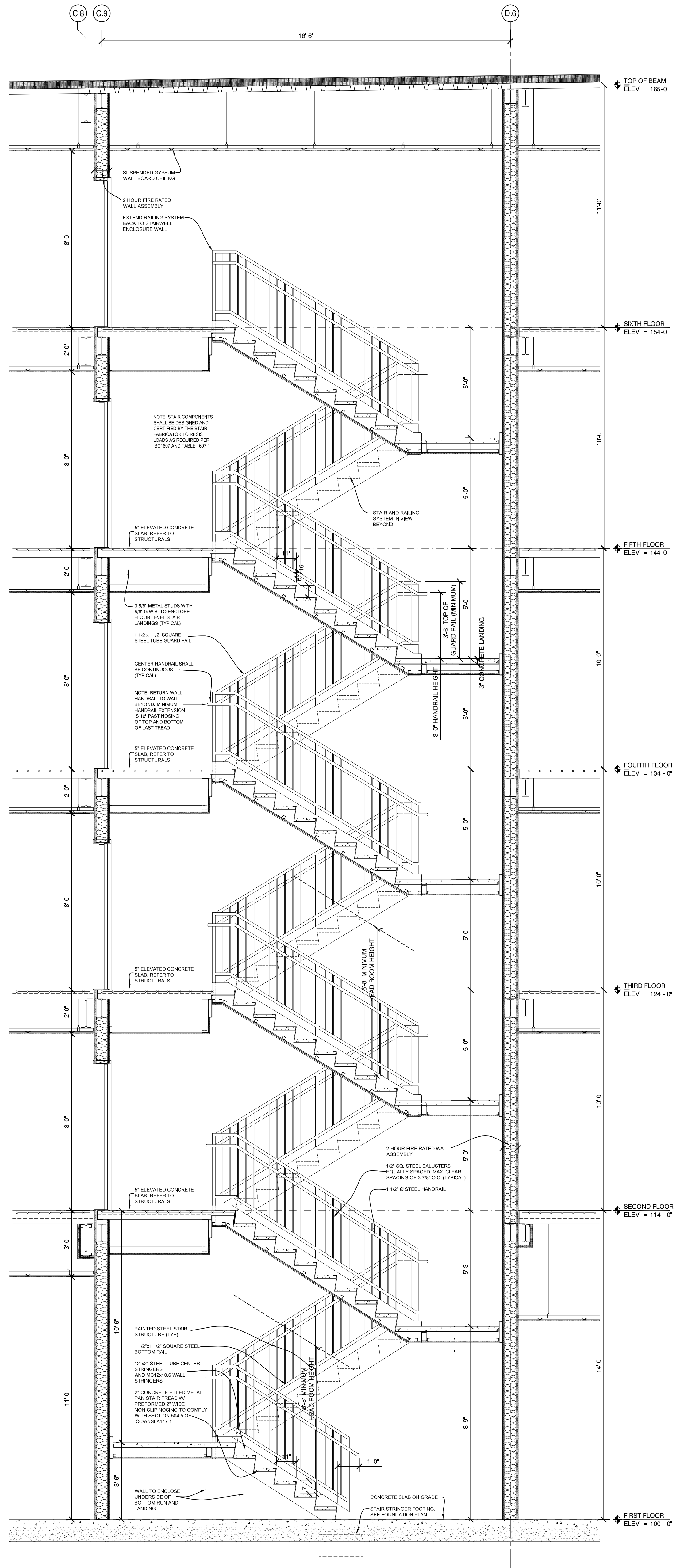
4 STAIR-1 THIRD FLOOR PLAN
1/4" = 1'-0"



3 STAIR-1 SECOND FLOOR PLAN
1/4" = 1'-0"



2 STAIR-1 FIRST FLOOR PLAN
1/4" = 1'-0"



1 STAIR-1 SECTION
3/8" = 1'-0"

sheet number:
A5.01

STAIR-1
SECTION &
PLAN DETAILS

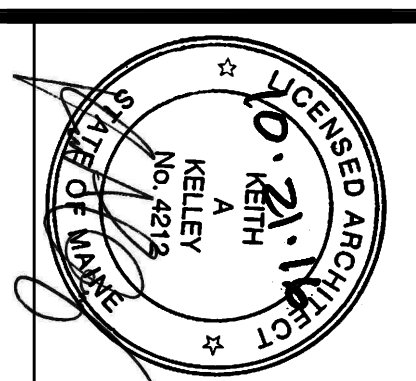
ISSUED:
10-18-16 60% MARRIOTT REVIEW
10-21-16 BUILDING SHELL PERMIT

REVISION:

project architect: KAK
drawn by: DLS

AC HOTELS by MARRIOTT

Fore Street / Hancock Street / Thames Street
Portland, Maine



OPECHEE
CONSTRUCTION CORPORATION

11 CORPORATE DRIVE • BELMONT • NH 03220
PHONE (603) 527-9090 • WWW.OPECHEE.COM