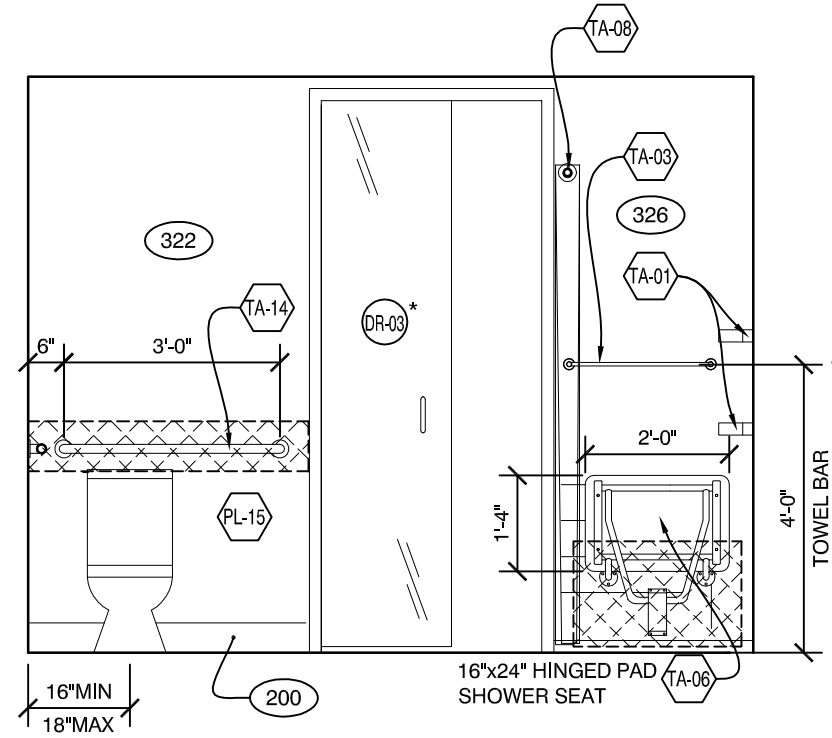
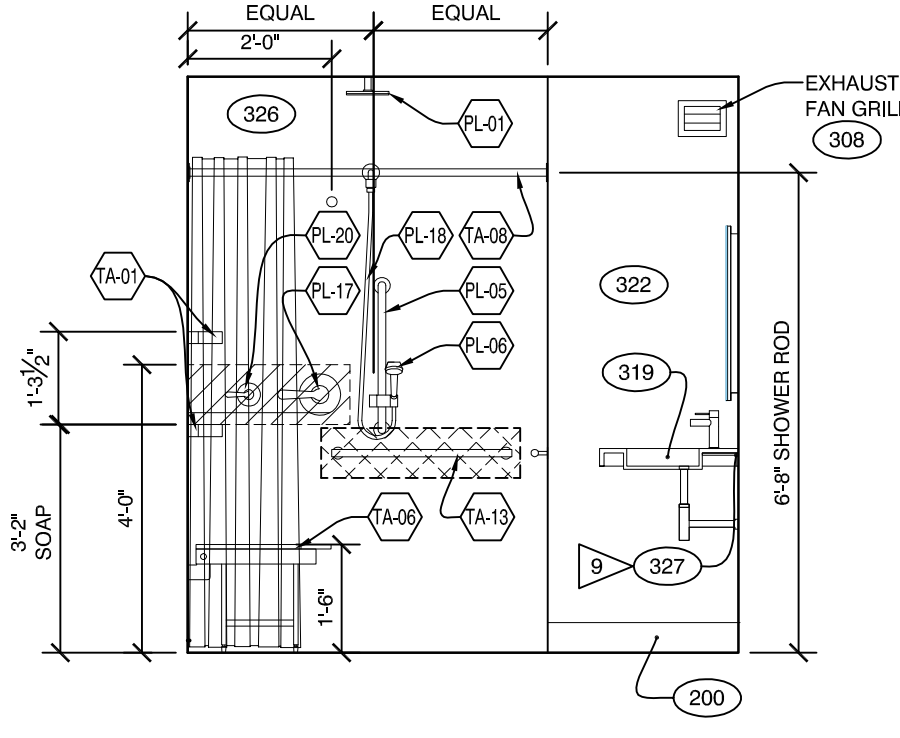


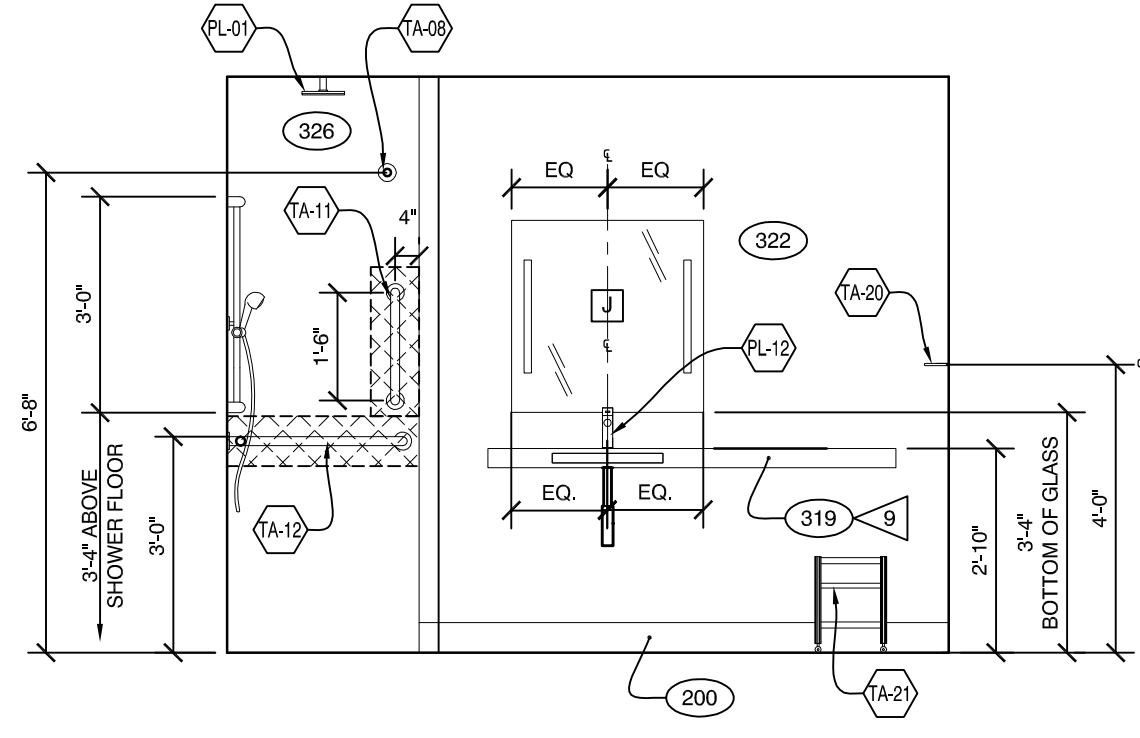
H BATH ELEVATION
3/8" = 1'-0"



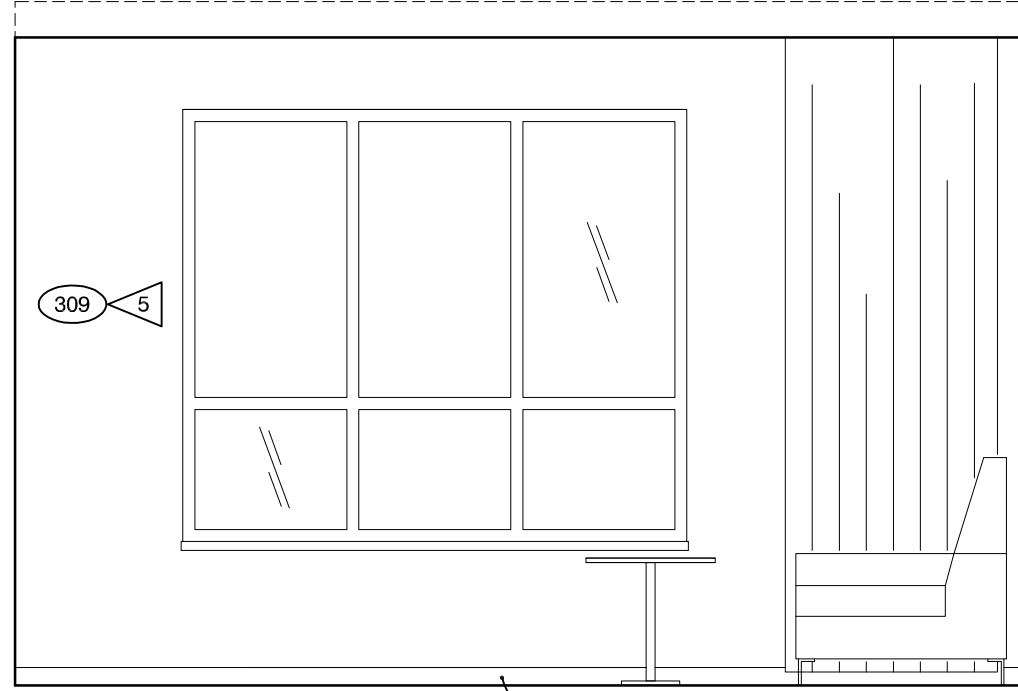
G BATH ELEVATION
3/8" = 1'-0"



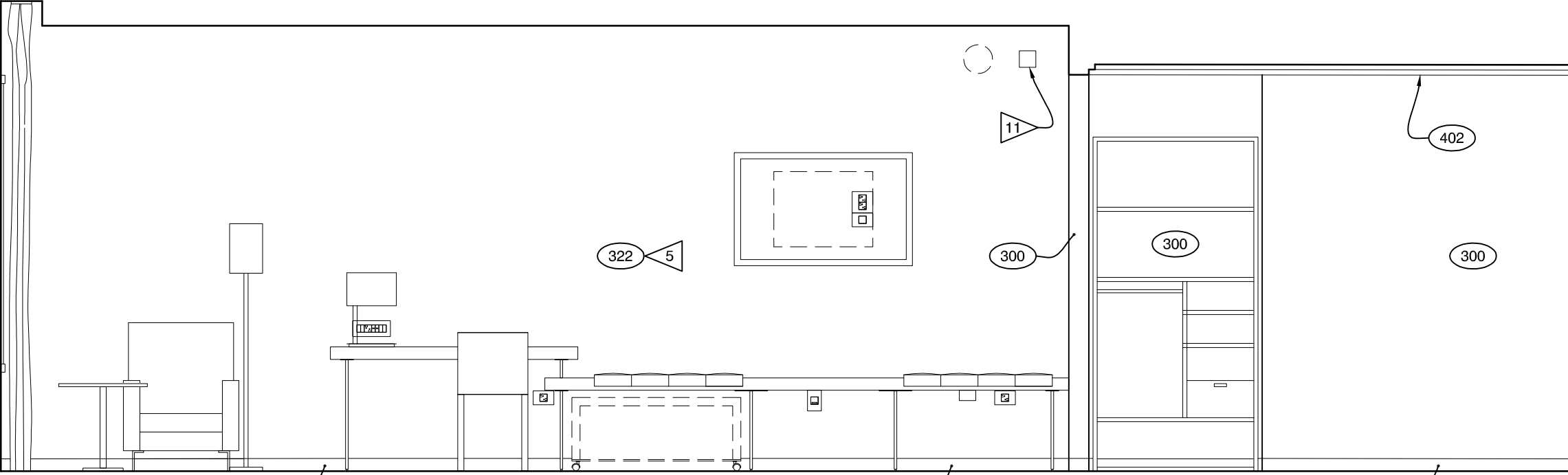
F BATH ELEVATION
3/8" = 1'-0"



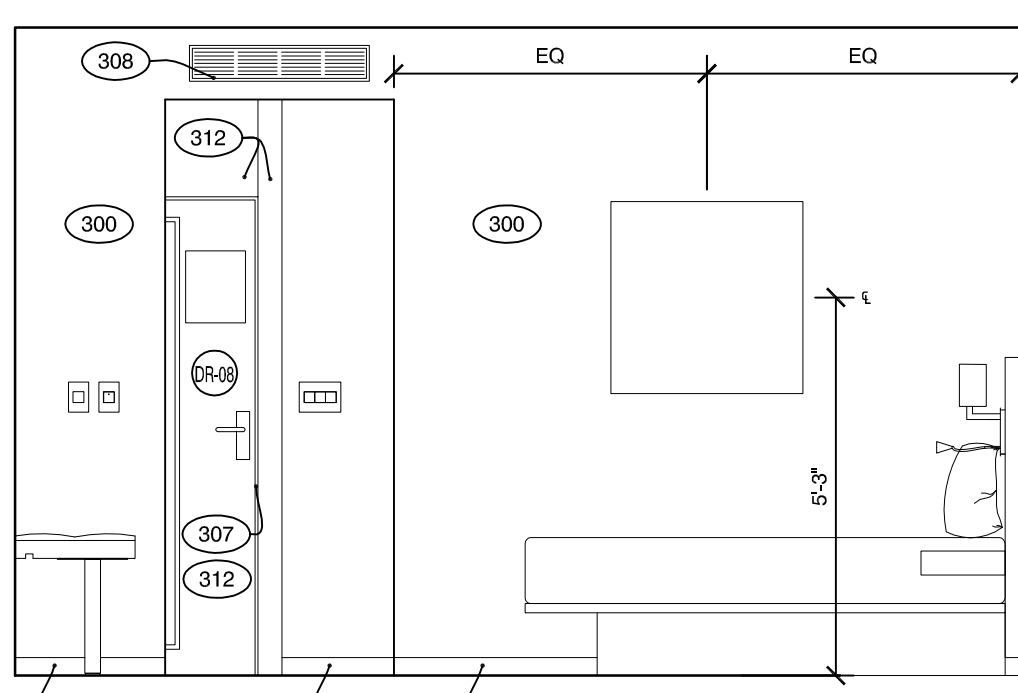
E BATH ELEVATION
3/8" = 1'-0"



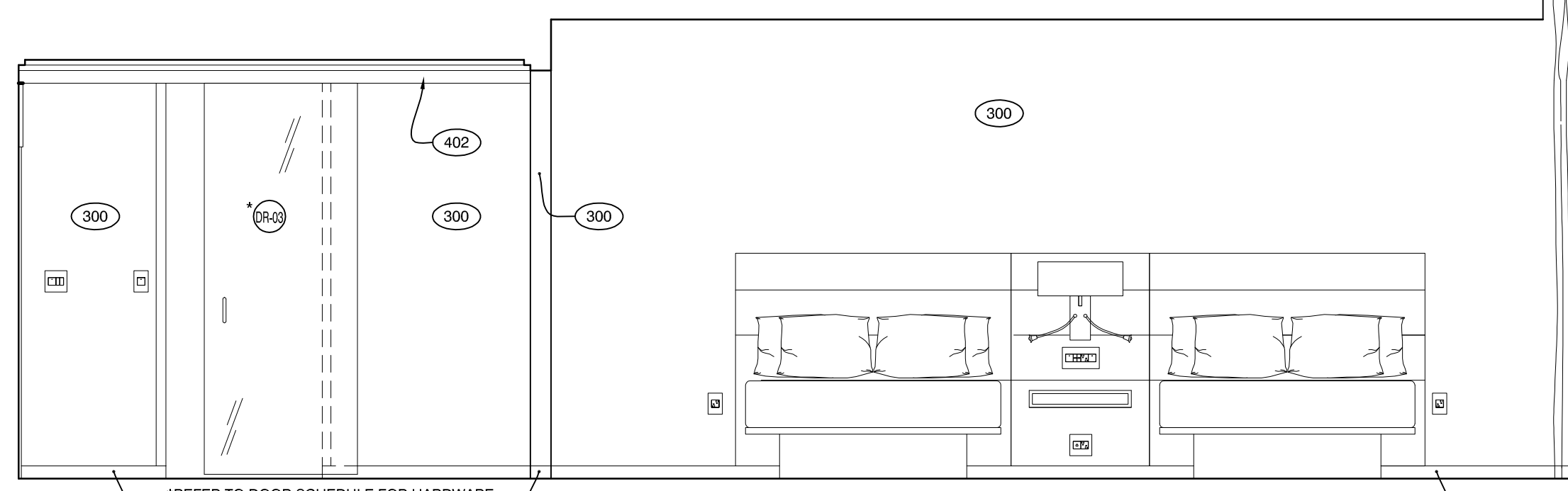
D ROOM ELEVATION
3/8" = 1'-0"



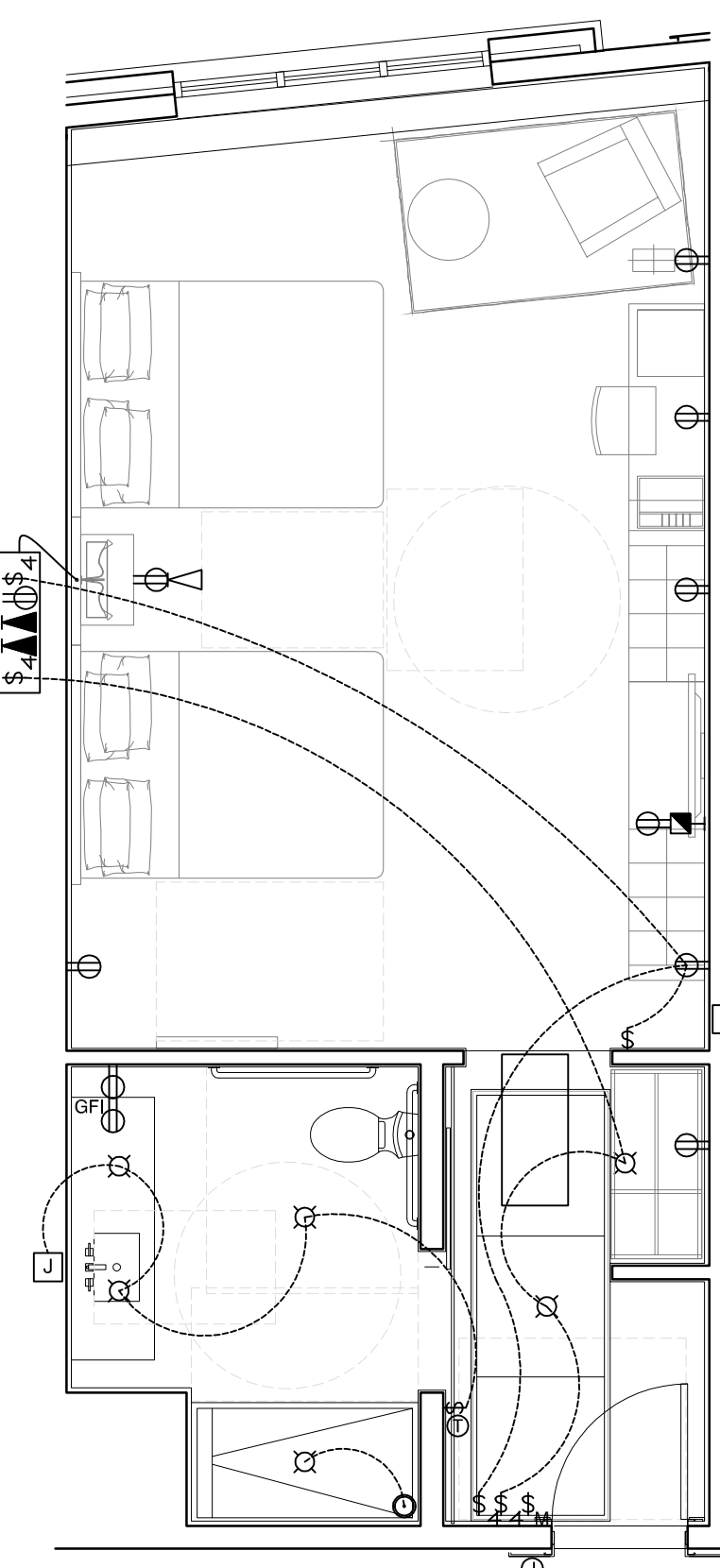
C ROOM ELEVATION
3/8" = 1'-0"



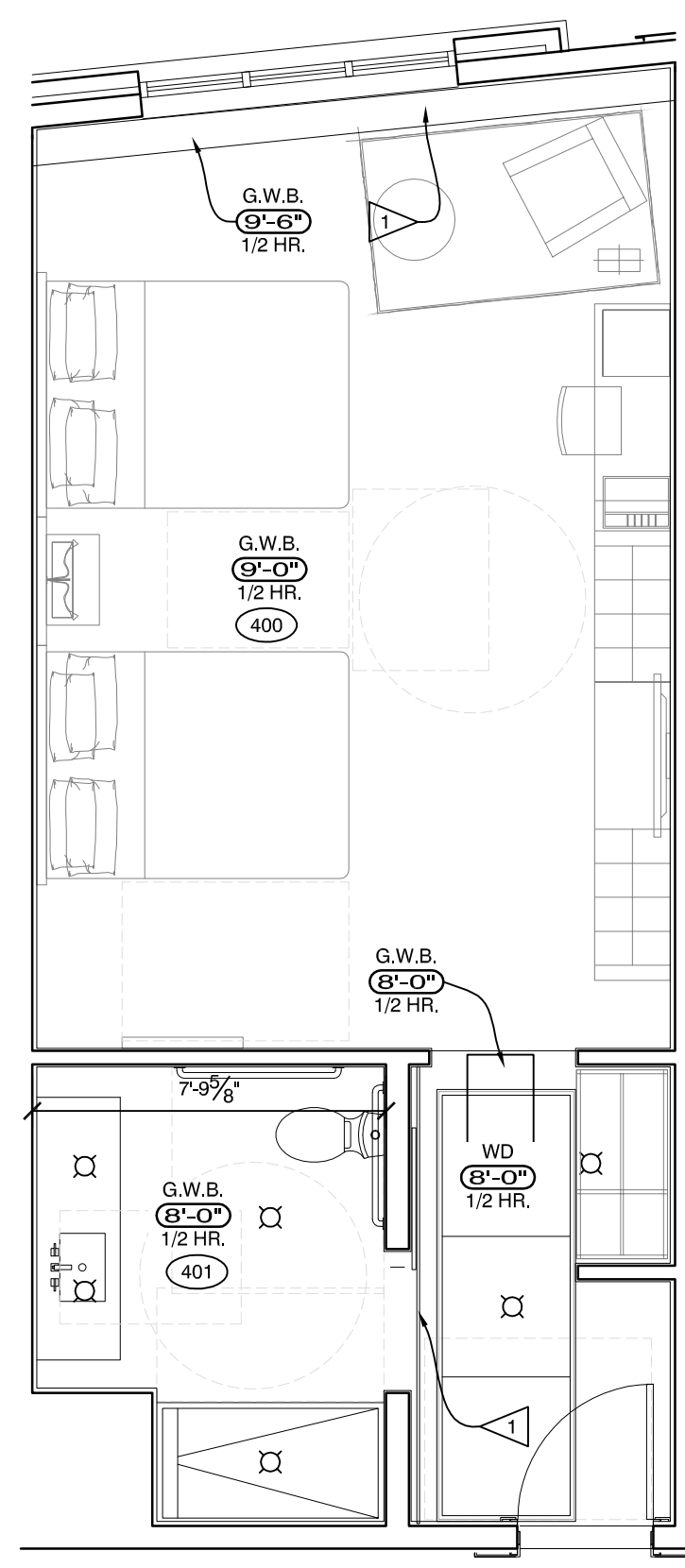
B ROOM ELEVATION
3/8" = 1'-0"



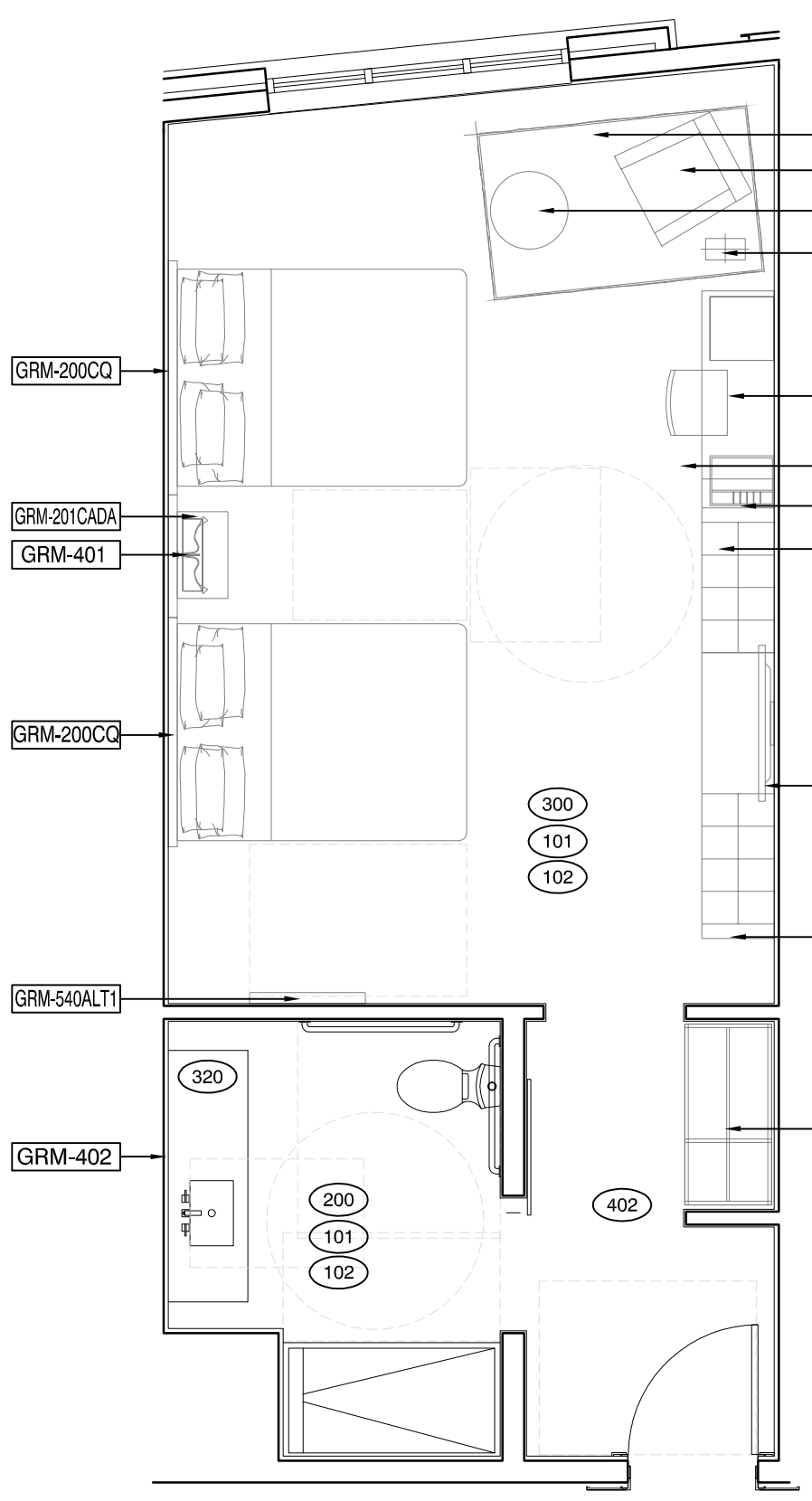
A ROOM ELEVATION
3/8" = 1'-0"



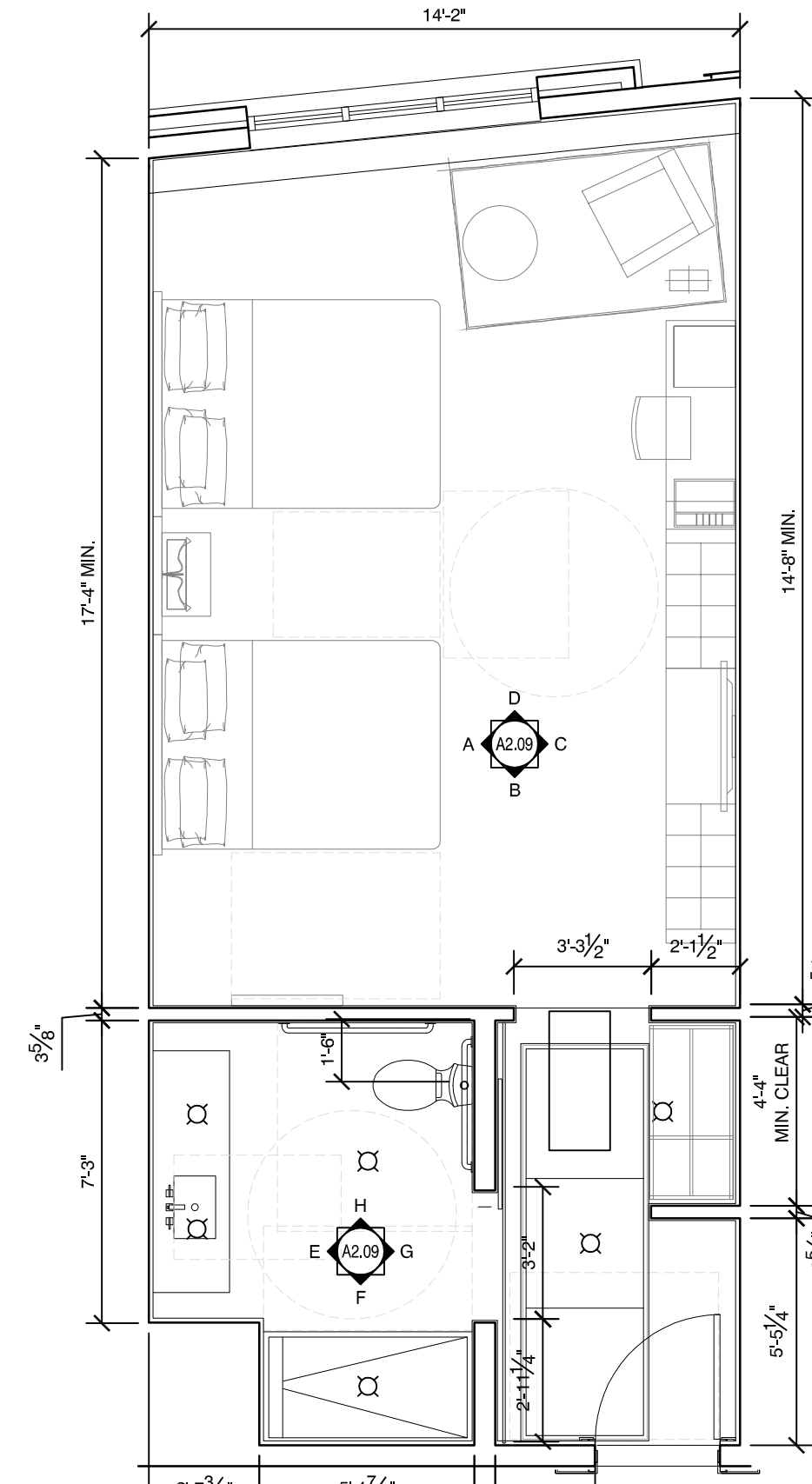
4 ELEC / PLUMBING PLAN
1/4" = 1'-0"



3 REFLECTED CEILING PLAN
1/4" = 1'-0"



2 FURNITURE PLAN - QQ2 ADA RIGHT
1/4" = 1'-0"



1 ARCHITECTURAL PLAN
1/4" = 1'-0"

SYMBOL LEGEND

- XX DOOR TAG - REFER TO SHEET A6.0X
- XXX FINISH TAG - REFER TO DESIGN GUIDE PROJECT MANUAL MASTER
- XX ACCESSORY TAG - REFER TO SPEC SECTION 10800
- X-000 FURNISHING REFERENCE - REFER TO INTERIOR DESIGN SPECIFICATIONS BOOK
- XX-00 M.E.P. COMPONENT REFERENCE - REFER TO IPFS
- J JUNCTION, PULL OR TAP BOX, CEILING, WALL OR FLOOR MOUNTED
- TELEPHONE OUTLET
- USB DATA JACK
- TV OUTLET, FLUSH MOUNTED
- DUPLX RECEPTACLE, 20A 125V, 3W., WALL MOUNTED NEMA 5-20R
- RECESSED CEILING LIGHTS.
- MOTION SENSOR
- T THERMOSTAT

REFERENCE NOTES

1. REFER TO INTERIOR PRODUCT AND FINISH SPECIFICATIONS.
2. ELECTRICAL OUTLETS SHOWN ON ELEC/PLUMBING MECH. PLAN AND ON ELEVATIONS ARE FOR DEVICES AND FIXTURES SPECIFIED. ADDITIONAL OUTLETS MAY BE REQUIRED BY LOCAL BUILDING CODES.
3. ELECTRICAL OUTLETS ARE MOUNTED AT STANDARD HEIGHT OF 18" UNLESS NOTED OTHERWISE.
4. SWITCHES AND THERMOSTATS TO BE LOCATED AT 48" CENTERLINE AFF UNLESS NOTED OTHERWISE.
5. REFER TO GUESTROOM ELEVATIONS FOR MOUNTING CONFIGURATIONS OF OUTLETS. COORDINATE FINAL LOCATIONS WITH CASEGOODS.
6. SOME PRODUCTS, FIXTURES AND FURNITURE ITEMS ARE HANDED (LEFT OR RIGHT), DESIGNED TO COORDINATE, WHERE APPLICABLE.
7. ALL DIMENSIONS ARE FROM FACE OF FINISH TO FACE OF FINISH, U.N.O. HOLD ALL CLEAR INTERIOR ROOM DIMENSIONS.
8. WATER CLOSET WASTE LINES ARE TO BE LOCATED IN WALL CHASE, NOT IN EXTERIOR WALLS.

CRITERIA NOTES

- 1 PROVIDE CONTINUOUS SOLID WOOD BLOCKING IN CEILING FOR DRAPERY ATTACHMENT AND SLIDING DOOR TRACKS.
- 2 COORDINATE PARTITION DIMENSIONS WITH HVAC EQUIPMENT & CONFIGURATION.
- 3 PROVIDE METAL TRIM TRANSITION (316) AT ALL OUTSIDE CORNERS OF BATHROOM.
- 4 IRONING BOARD MOUNT (316) & IRON RACK MOUNT (328) TO BE COORDINATED WITH CLOSET INSERT.
- 5 PROVIDE ACCENT VINYL (322)
- 6 NOT USED
- 7 COORDINATION BY HEADBOARD INSTALLER & ELECTRICIAN WILL BE REQUIRED AND MAY REQUIRE NUMEROUS VISITS BY BOTH TRADES.
- 8 WALL OUTLETS SHALL NOT OCCUR IN SAME WALL CAVITY OF ADJACENT GUESTROOMS, TYPICAL.
- 9 PROVIDE BLOCKING FOR ACCESSORIES, EQUIPMENT, AND FF&E AS REQUIRED.
- 10 MASTER LIGHT SWITCH WITH SIGNAGE TO CONTROL ALL HARDWIRED LIGHTS AND LED STRIP LIGHTING IN GUESTROOM, WITH EXCEPTION OF BATHROOM. WIRE AHEAD OF INDIVIDUAL SWITCHES. SEE 384/522.
- 11 AT HEARING IMPAIRED ROOM ONLY.
- 12 NOT USED
- 13 NOT USED
- 14 PAINT EXTERIOR WINDOW WALL (309) WITH MOLD AND MILDEW TEXTURED FINISH.
- 15 SIZE AND LOCATION OF EXTERIOR WINDOW TO BE ACCEPTED BY MARRIOTT.
- 16 ARCHITECT TO REVIEW VANITY SHOP DRAWINGS IN IPFS FOR LATEST INFORMATION (INCLUDING DIMENSIONS & FINISHES). FOR CUSTOM VANITIES, ARCHITECT TO OBTAIN ACCEPTANCE FROM MARRIOTT REVIEW TEAM. ARCHITECT TO PROVIDE VANITY SUPPORT DESIGN. SUPPORT DESIGN SHOULD COMPLY WITH LOCAL CODES.
- 17 4-WAY SWITCHES AT HEADBOARD AND GUESTROOM ENTRY, WIRED TO LED STRIP LIGHT (#1) TO PLUG INTO OUTLET UNDER BENCH NEAR ENTRY TO BEDROOM. SEE 384/522.
- 18 4-WAY SWITCH AT HEADBOARD AND GUESTROOM ENTRY, WIRED TO OVERHEAD ENTRY & CLOSET LIGHTS. SEE 384/522.
- 19 REMOVABLE CEILING PANELS.
- 20 DRAPERY PULL WANDS ARE LOOP TYPE HANDLES AND 48" MAX A.F.F.
- 21 ANY GAP LEFT BETWEEN THE FLOORING MATERIAL AND THE GUESTROOM WALL SHOULD BE NO MORE THAN A 1/2" SO THAT THE BASE WILL COMPLETELY COVER THIS GAP.
- 22 SECURE VANITY BASE TO FLOOR AND WALL. SECURE VANITY MIRROR TO CEILING. PROVIDE BLOCKING AS REQUIRED.
- 23 WRAP DRAINAGE AND SUPPLY PIPES WITH INSULATING MATERIAL.
- 24 PROVIDE (1) GFCI RECEPTACLE (EL-1B) ABOVE COUNTER BACKSPASH AT 48" A.F.F. AND (1) RECEPTACLE (EL-1) AT 60" A.F.F. CONNECT TOGETHER TO A DEDICATED SINGLE 120V CIRCUIT.
- 25 ARCHITECT TO REVIEW DOOR & SHOWER ASSEMBLY SHOP DRAWINGS IN IPFS FOR LATEST INFORMATION (INCLUDING DIMENSIONS & FINISHES). FOR MODIFYING SHOWER ASSEMBLIES & DOORS, ARCHITECT TO OBTAIN ACCEPTANCE FROM MARRIOTT REVIEW TEAM.
- 26 NOT USED
- 27 LED STRIP LIGHT (#2) ON MOTION SENSOR UNDER BENCH. MOTION SENSOR TO BE PLUGGED INTO ADJACENT OUTLET (EL-11). BREAK TAG ON ONE SIDE OF DUPLEX OUTLET, SO THAT PLUG CONTROLLING MOTION SENSOR IS CONTROLLED BY SWITCH (EL-13).
- 28 NOT USED
- 29 HOLES FOR LIGHTS IN CEILING PANELS TO BE CUT IN FIELD.
- 30 BASE BOARD CAN BE PURCHASED THROUGH MARRIOTT AND IS IN THE ID SPEC MANUAL.
- 31 REFRIGERATOR DOOR TO BE INSTALLED, SUCH THAT DOOR SWINGS TOWARDS ADJACENT WALL.
- 32 ELECTRICAL DEVICES FOR TV AND MOTION SENSOR OUTLET UNDER BENCH SHOULD NOT BE PROPRIETARY.