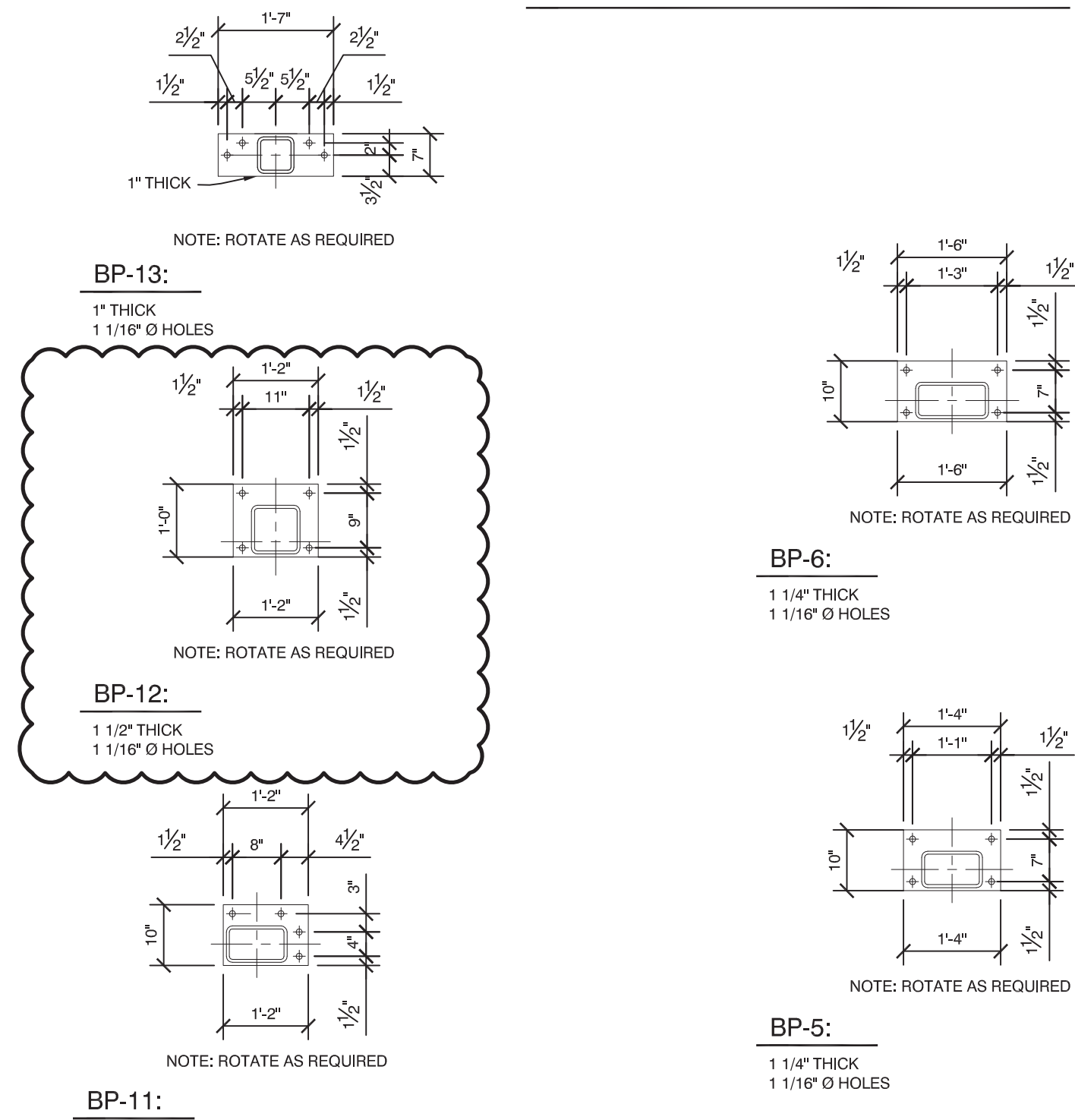
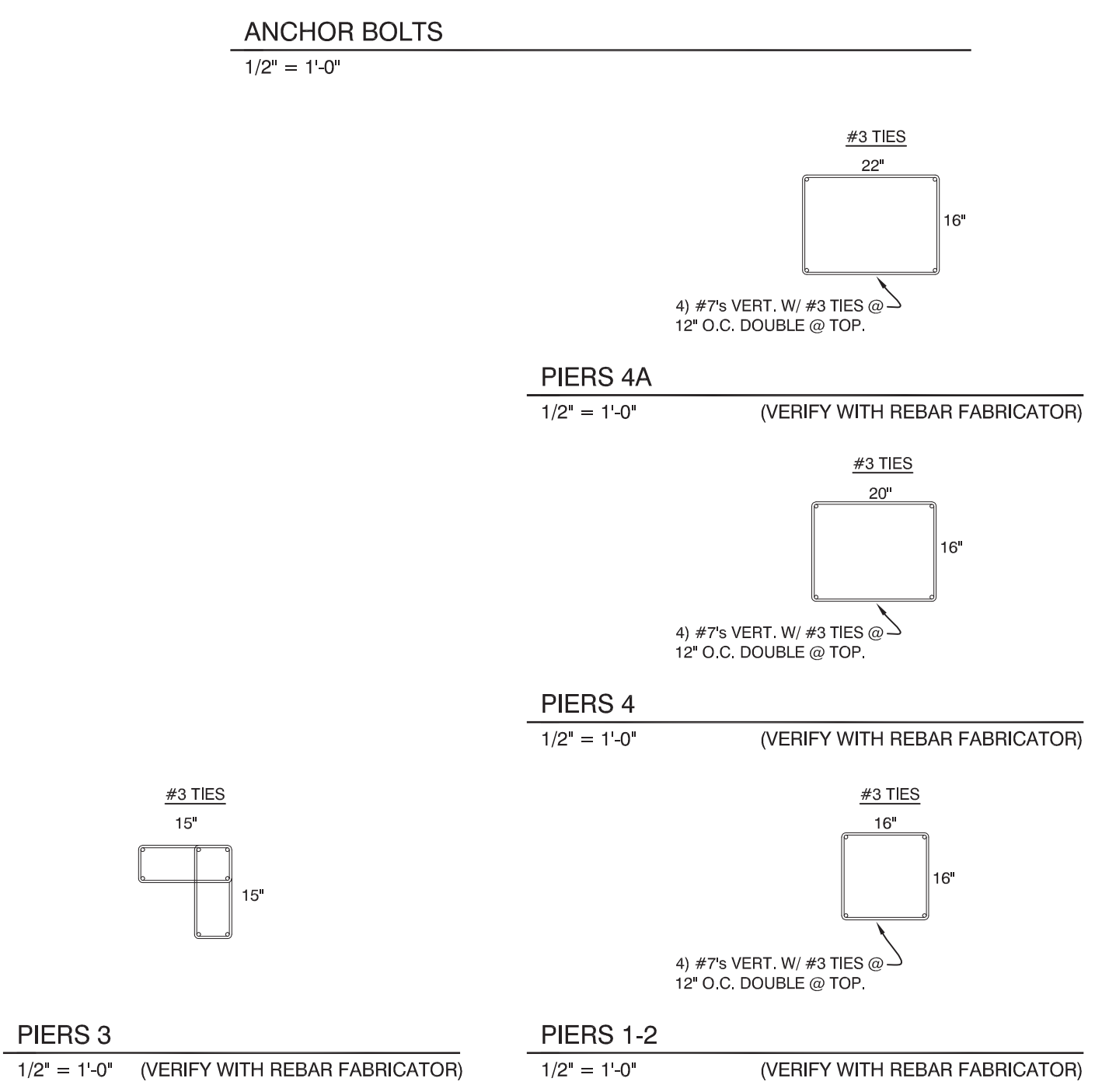
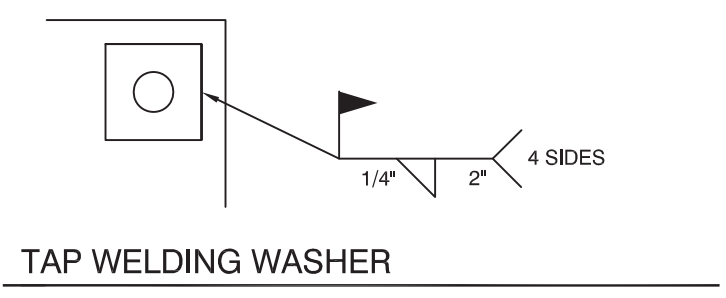
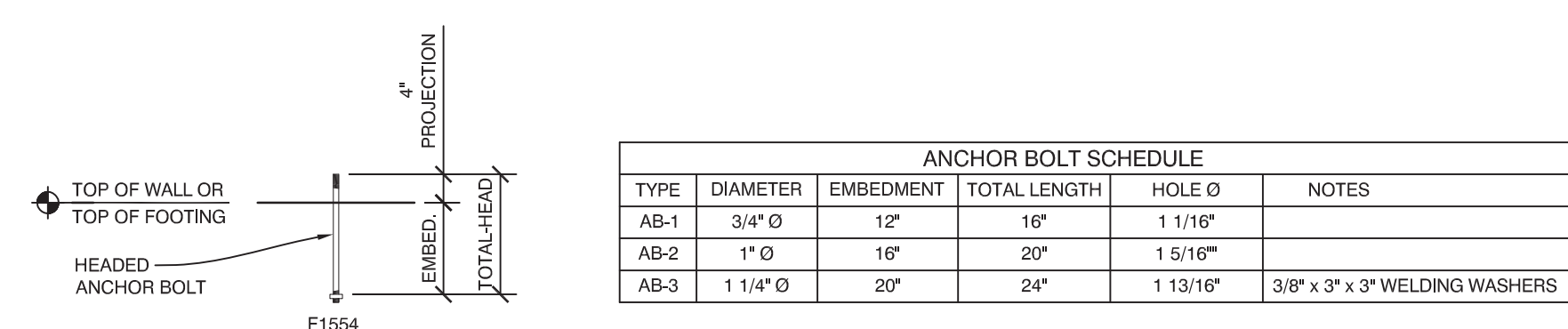
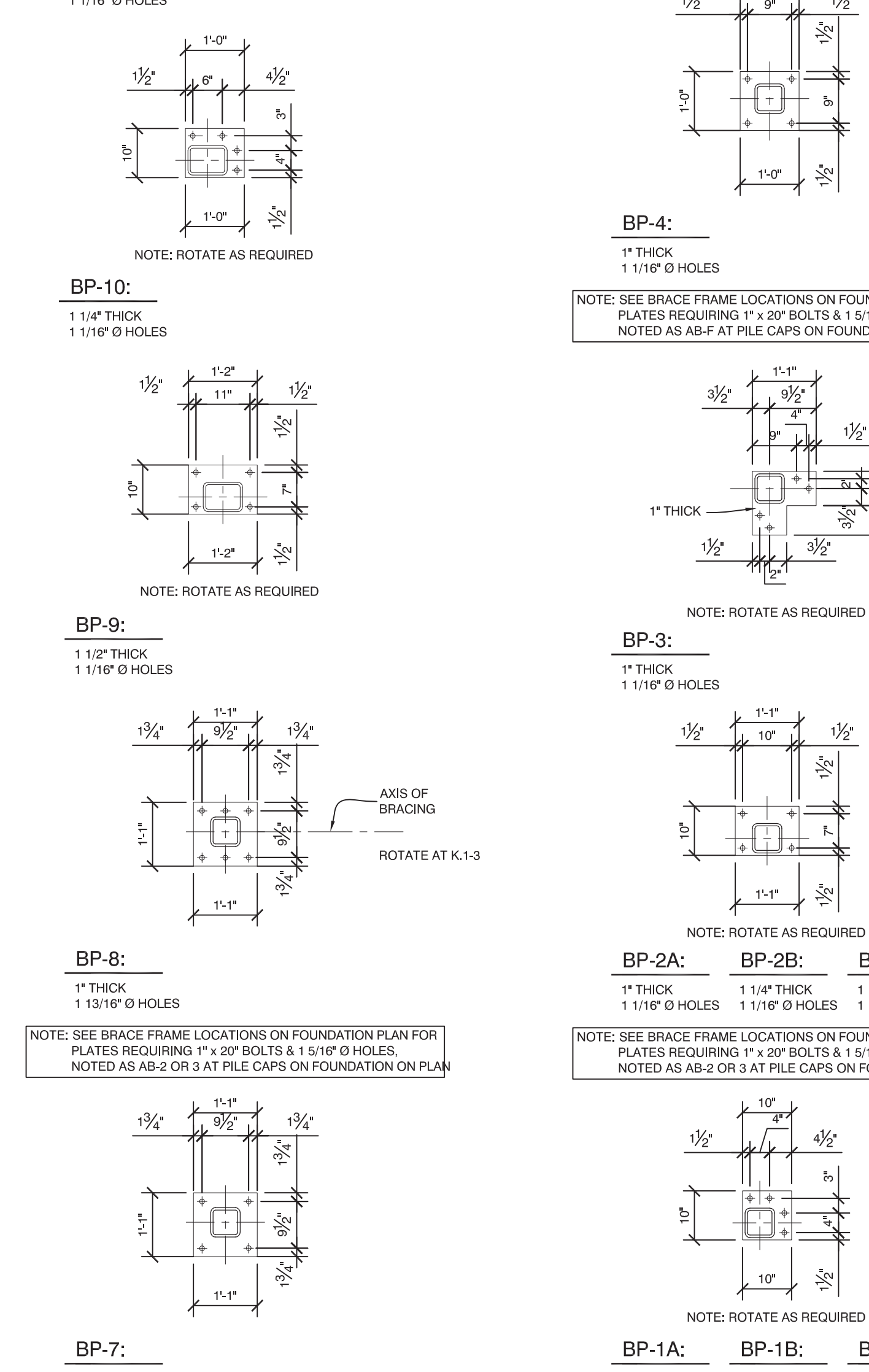
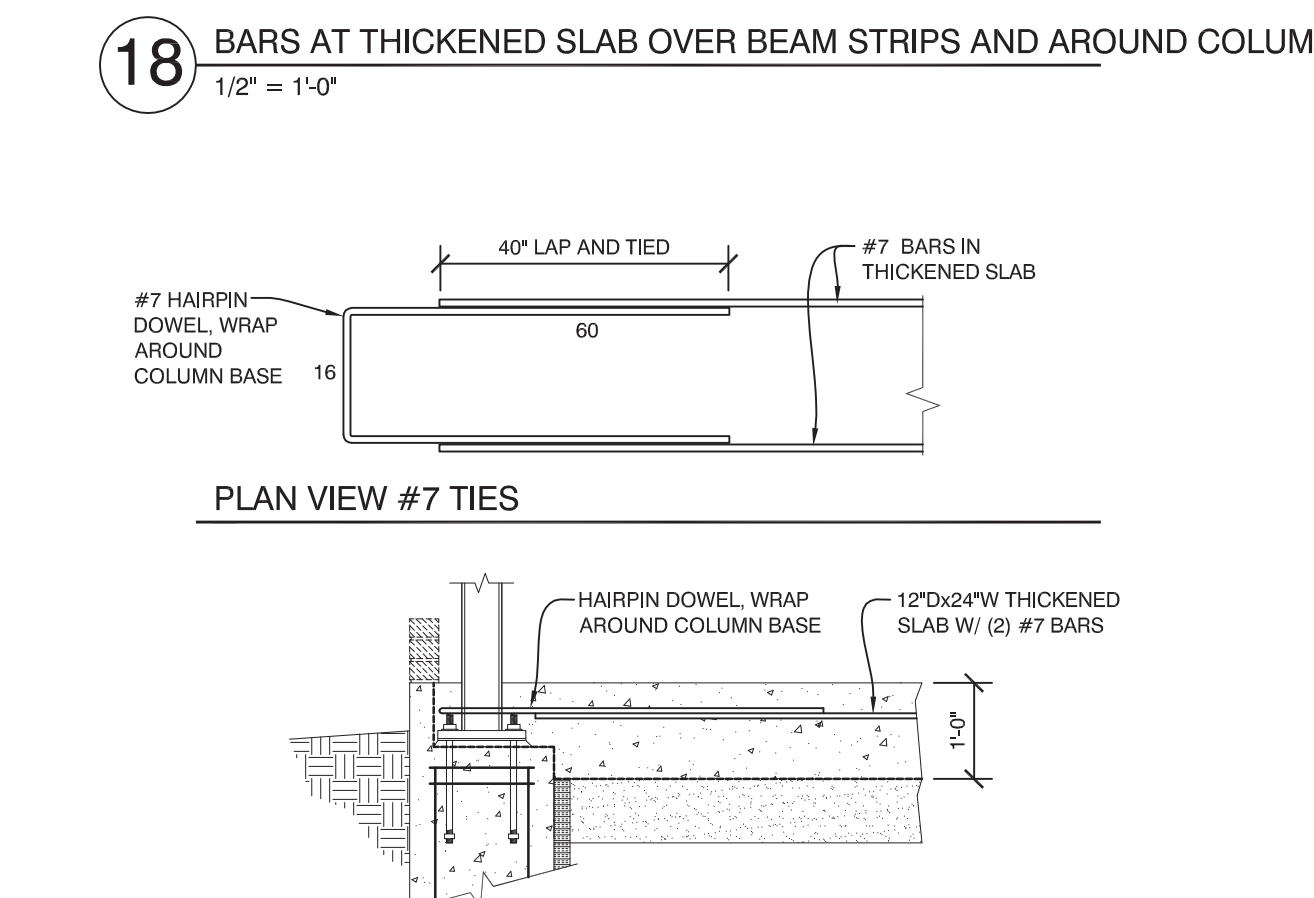
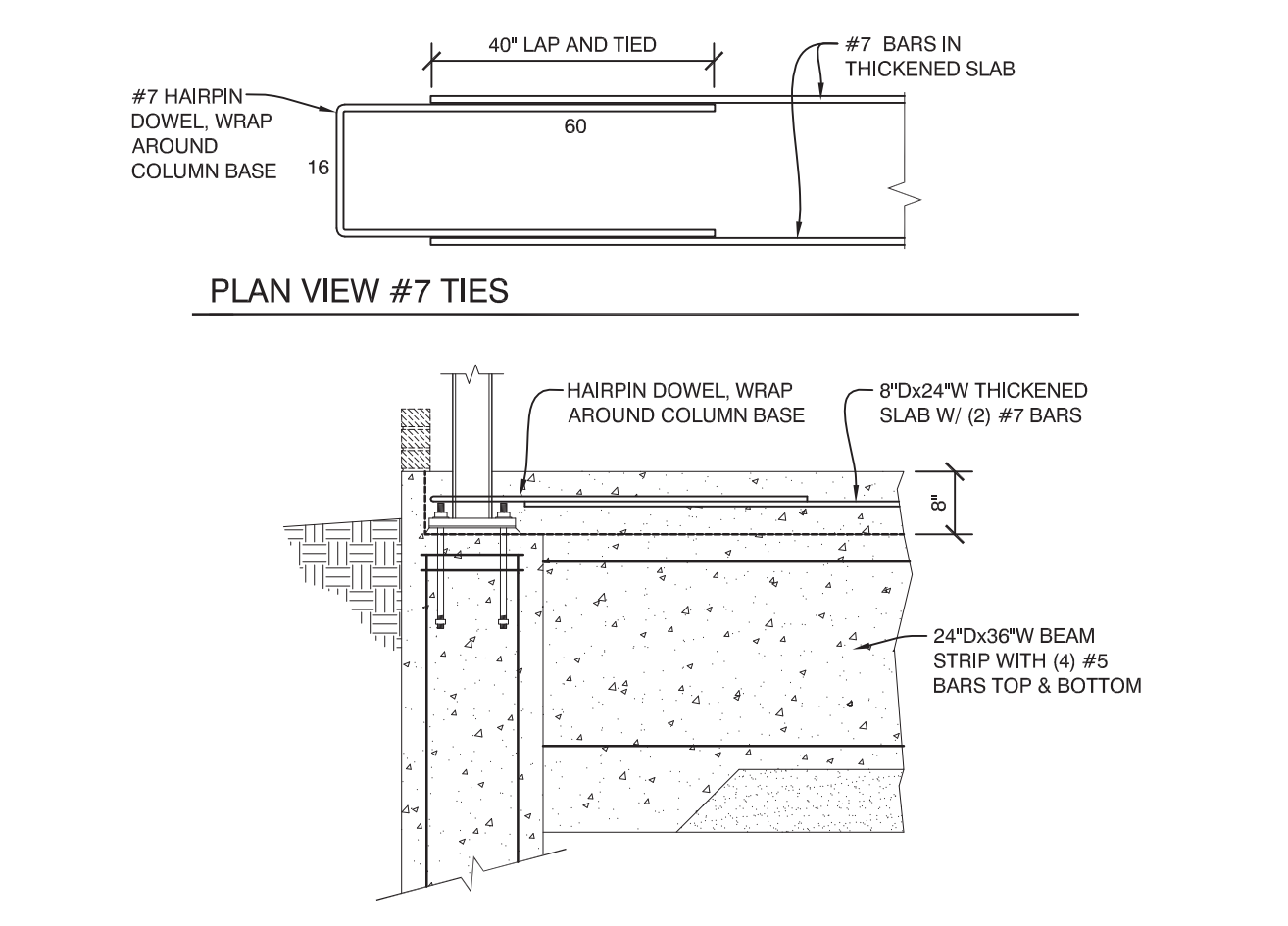


Copyright 2015 Opechee Construction Corporation  
 Wednesday, October 05, 2016 12:24:45 PM



NOTE: (4) #7s VERT. W/ #3 TIES @ 12" O.C. DOUBLE @ TOP, #7 VERT TO HAVE 15" BOTTOM LEG IN PIER CAP. TYPICAL PIER REINFORCING UNLESS NOTED OTHERWISE ON DETAILS BELOW.

TIE DIMENSIONS BY REBAR FABRICATOR, BASED ON PIER DIMENSIONS.



NOTE: SEE BRACE FRAME LOCATIONS ON FOUNDATION PLAN FOR PLATES REQUIRING 1" x 20" BOLTS & 1 5/16" Ø HOLES. NOTED AS AB-2 OR 3 AT PILE CAPS ON FOUNDATION ON PLAN

