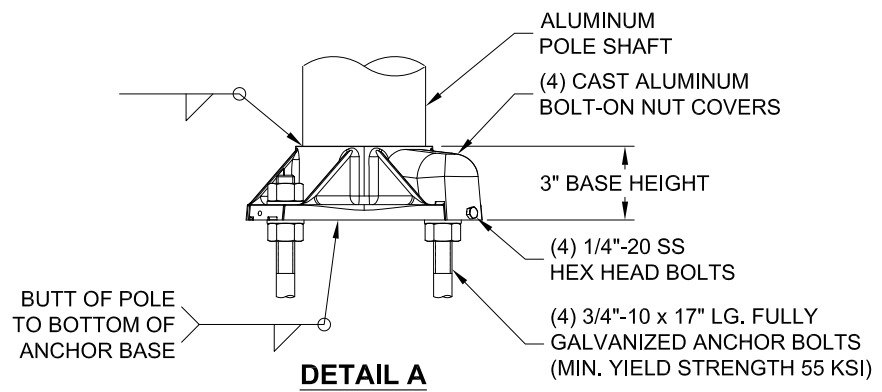


DETAIL B
DO NOT USE TO SET ANCHOR BOLTS
CONTACT CUSTOMER SERVICE FOR TEMPLATE

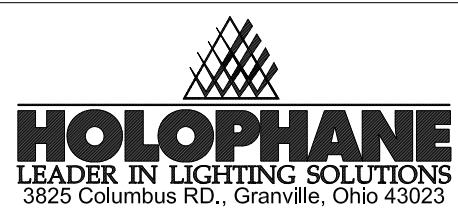


DETAIL A

POLE RATING (PER AASHTO 2009):
3-SEC GUST WIND SPEED: 100 MPH MAX
EPA (LUMINAIRE): 1.79 SQ. FT. MAX EACH
WEIGHT (LUMINAIRE): 56 LBS MAX EACH

Catalog #'s:
Pole: 180430505T4-1HT90H30X-18-BK **RFD267246**
Anchor Bolts: VAL.75ABSET **RFD267246**
(See assembly on Sheet 3)

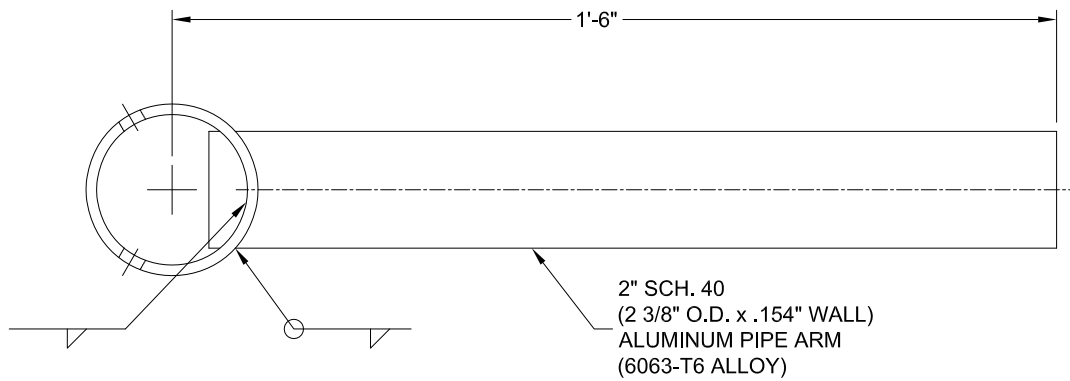
Customer Signature & Date:



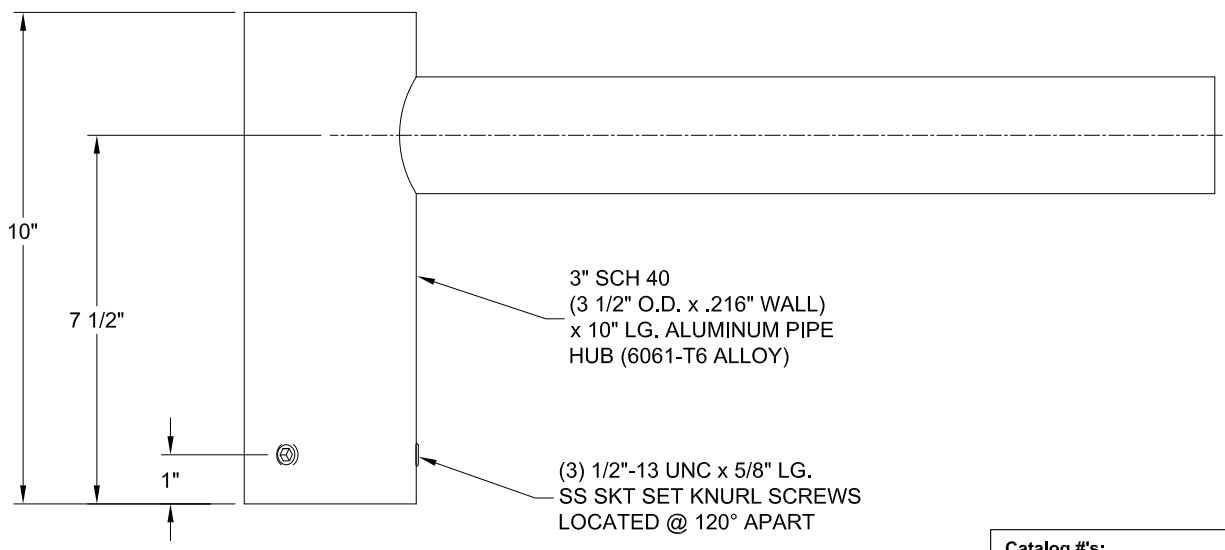
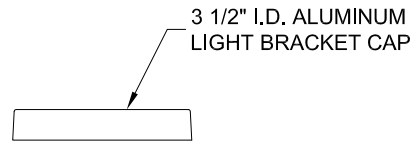
TITLE: S ANCHOR BASE POLE	QTY: 1
MODEL NO.: 180430505T4 (A4502B)	DWN BY: HJT/MAB
MATERIAL: ALUMINUM ALLOY	CHK'D BY:
FINISH: POWDER PAINT HOLOPHANE BLACK LAVA	APPR BY:
PROJECT: RFD267246 CITY OF PORTLAND	DATE: 04/05/18
SOLD TO: (DR15806)	DWG NO: TSG010719
SHIP TO: PORTLAND, MAINE	PAGE:
P.O. NO: 2066-18-12186-0	REV DATE REVISION DESCRIPTION BY
REP: JIM BAILEY	1 / 3

****CONFIDENTIAL****

The information contained in this drawing is privileged and confidential, and may be protected from disclosure. Please be aware that any use or dissemination of this drawing may be subject to legal restriction or sanction.



TOP VIEW
(LESS BRACKET CAP)



FRONT VIEW

Catalog #'s:
 Pole: 180430505T4-1HT90H30X-18-BK RFD267246
 Anchor Bolts: VAL.75ABSET RFD267246
 (See assembly on Sheet 3)

Customer Signature & Date:



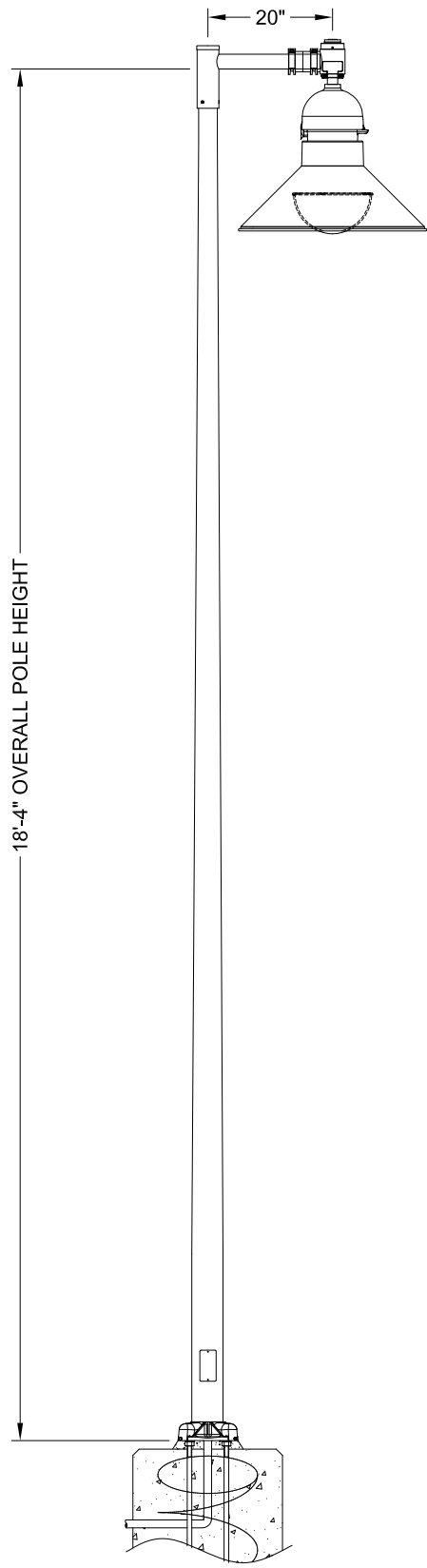
TITLE:	S SGL ARM HZ LT BRKT 3.0"ID HUB
MODEL NO.:	1HT90H30 (A4502B)
MATERIAL:	ALUMINUM ALLOY
FINISH:	POWDER PAINT HOLOPHANE BLACK LAVA
PROJECT:	RFD267246 CITY OF PORTLAND
SOLD TO:	(DR15806)
SHIP TO:	PORTLAND, MAINE
P.O. NO:	2066-18-12186-0
REP:	JIM BAILEY

QTY:	1
DWN BY:	HJT/MAB
CHKD BY:	
APPR BY:	
DATE:	04/05/18
DWG NO:	TSG010719
PAGE:	

****CONFIDENTIAL****

The information contained in this drawing is privileged and confidential, and may be protected from disclosure. Please be aware that any use or dissemination of this drawing may be subject to legal restriction or sanction.

REV	DATE	REVISION DESCRIPTION	BY



- Fixture: GELB0503KAS4B3P7EDM RFD267240
Hallbrook Extended Cover GlasWerks LED
- 50W System
 - 3000 Series CCT (RFD only)
 - Auto-Sensing Voltage (120-277)
 - Stem mounting
 - Black finish
 - Asymmetric Bowl Glass
 - External 7-position Dimming Photocontrol Receptacle

POLE RATING (PER AASHTO 2009):
 3-SEC GUST WIND SPEED: 100 MPH MAX
 EPA (LUMINAIRE): 1.79 SQ. FT. MAX EACH
 WEIGHT (LUMINAIRE): 56 LBS MAX EACH

Catalog #'s:
 Pole: 180430505T4-1HT90H30X-18-BK RFD267246
 Anchor Bolts: VAL.75ABSET RFD267246
 Fitter: GWDF13200BKP7
 Fixture: GELB0503KAS4B3P7EDM RFD267240

Customer Signature & Date:



TITLE: S ASSEMBLY
MODEL NO.: 180430505T4 (A4502B)
MATERIAL: ALUMINUM ALLOY
FINISH: POWDER PAINT HOLOPHANE BLACK LAVA
PROJECT: RFD267246 CITY OF PORTLAND
SOLD TO: (DR15806)
SHIP TO: PORTLAND, MAINE
P.O. NO: 2066-18-12186-0
REP: JIM BAILEY

QTY: 1
DWN BY: HJT/MAB
CHKD BY:
APPR BY:
DATE: 04/05/18

DWG NO: TSG010719
PAGE: 3 / 3

****CONFIDENTIAL****
 The information contained in this drawing is privileged and confidential, and may be protected from disclosure. Please be aware that any use or dissemination of this drawing may be subject to legal restriction or sanction.

REV	DATE	REVISION DESCRIPTION	BY