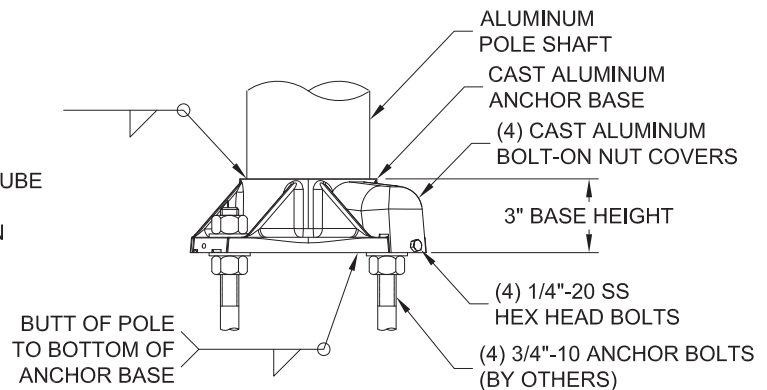


**DETAIL B**

DO NOT USE TO SET ANCHOR BOLTS  
CONTACT CUSTOMER SERVICE FOR TEMPLATE



**DETAIL A**

Commercial Street District

180430505T4-1HT90H30X BLACK  
AB-31-4

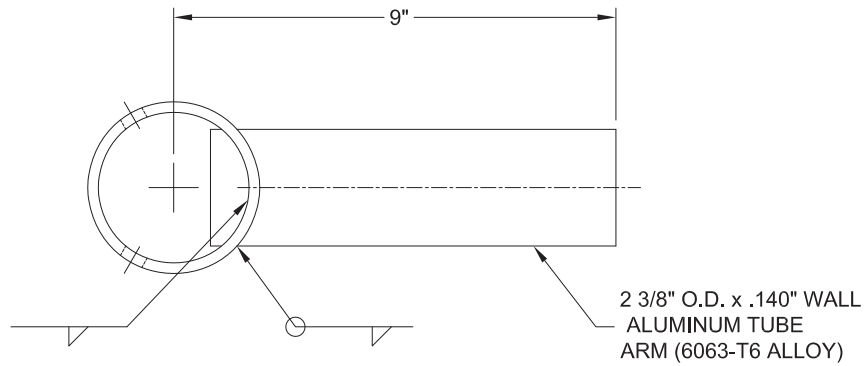
AC Hotel per revision we shipped black pole



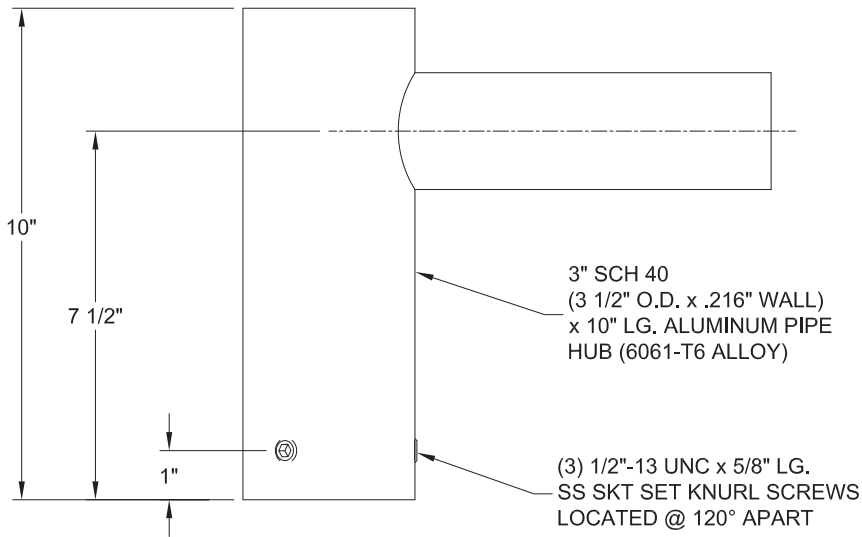
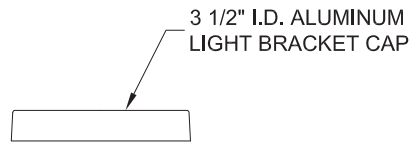
<b>TITLE:</b> S ANCHOR BASE POLE		<b>QTY:</b> 1	<b>Catalog #s:</b> RFD235990
<b>MODEL NO.:</b> 180430505T4 (A4502)		<b>DWN BY:</b> JLD/MAB	Pole: 180430505T4-1HT90H30X
<b>MATERIAL:</b> ALUMINUM ALLOY <span style="border: 1px solid black; padding: 2px;">black</span>		<b>CHK'D BY:</b>	Anchor Bolts: AB-31-4
<b>FINISH:</b> POWDER PAINT RAL6012 DARK GREEN		<b>APPR BY:</b>	<b>Customer Signature &amp; Date:</b>
<b>PROJECT:</b> RFD235990 CITY OF PORTLAND (DR 13920)		<b>DATE:</b> 07/18/17	
<b>SOLD TO:</b> CITY OF PORTLAND		<b>DWG NO:</b>	
<b>SHIP TO:</b> AC HOTEL, MAINE		<b>PAGE:</b>	
<b>P.O. NO:</b> 2066-17-11572-0		<b>BY</b>	2/ 3
<b>REP:</b> JIM BAILEY			
<b>REV</b>	<b>DATE</b>	<b>REVISION DESCRIPTION</b>	
△			
△	7/18/17	ADDED SHEETS 2 AND 3	

**\*\*CONFIDENTIAL\*\***

The information contained in this drawing is privileged and confidential, and may be protected from disclosure. Please be aware that any use or dissemination of this drawing may be subject to legal restriction or sanction.



**TOP VIEW**  
(LESS BRACKET CAP)



**FRONT VIEW**

**BLACK**



**TITLE:**  
S SGL 9" ARM HZ BKT 3"ID HUB

**MODEL NO.:** 1HT90H30L (A4502)

**MATERIAL:** ALUMINUM ALLOY

**FINISH:** POWDER PAINT RAL6012 DARK GREEN

**PROJECT:** RFD235990 CITY OF PORTLAND (DR 13920)

**SOLD TO:** CITY OF PORTLAND

**SHIP TO:** AC HOTEL, MAINE

**P.O. NO.:** 2066-17-11572-0

**REP:** JIM BAILEY

**QTY:**  
1

**DWN BY:**  
JLD/MAB

**CHK'D BY:**

**APPR BY:**

**DATE:**  
07/18/17

**DWG NO:**  
A4502

**PAGE:**  
3 / 3

**Catalog #'s:**  
See Sheet 2.

**Customer Signature & Date:**

**\*\*CONFIDENTIAL\*\***

The information contained in this drawing is privileged and confidential, and may be protected from disclosure. Please be aware that any use or dissemination of this drawing may be subject to legal restriction or sanction.

REV	DATE	REVISION DESCRIPTION	BY
	07/18/17	ADDED SHEETS 2 AND 3	MAB