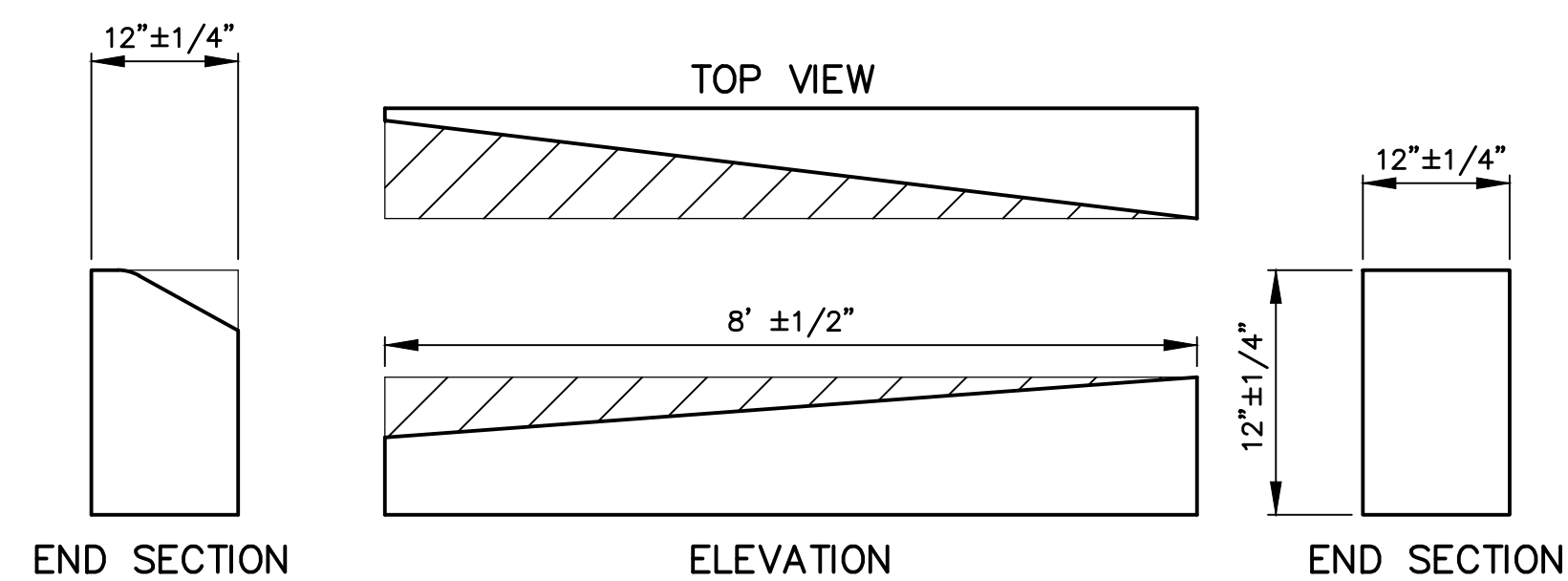
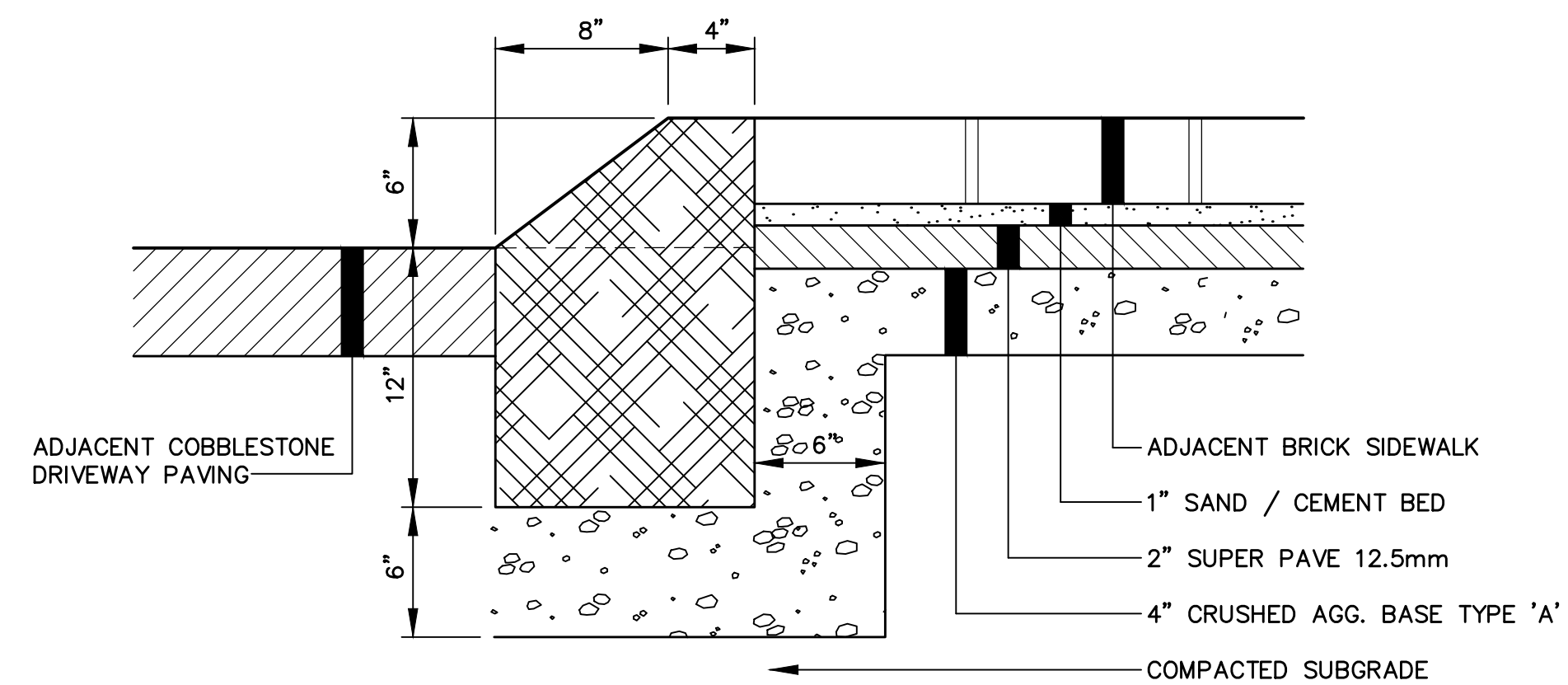


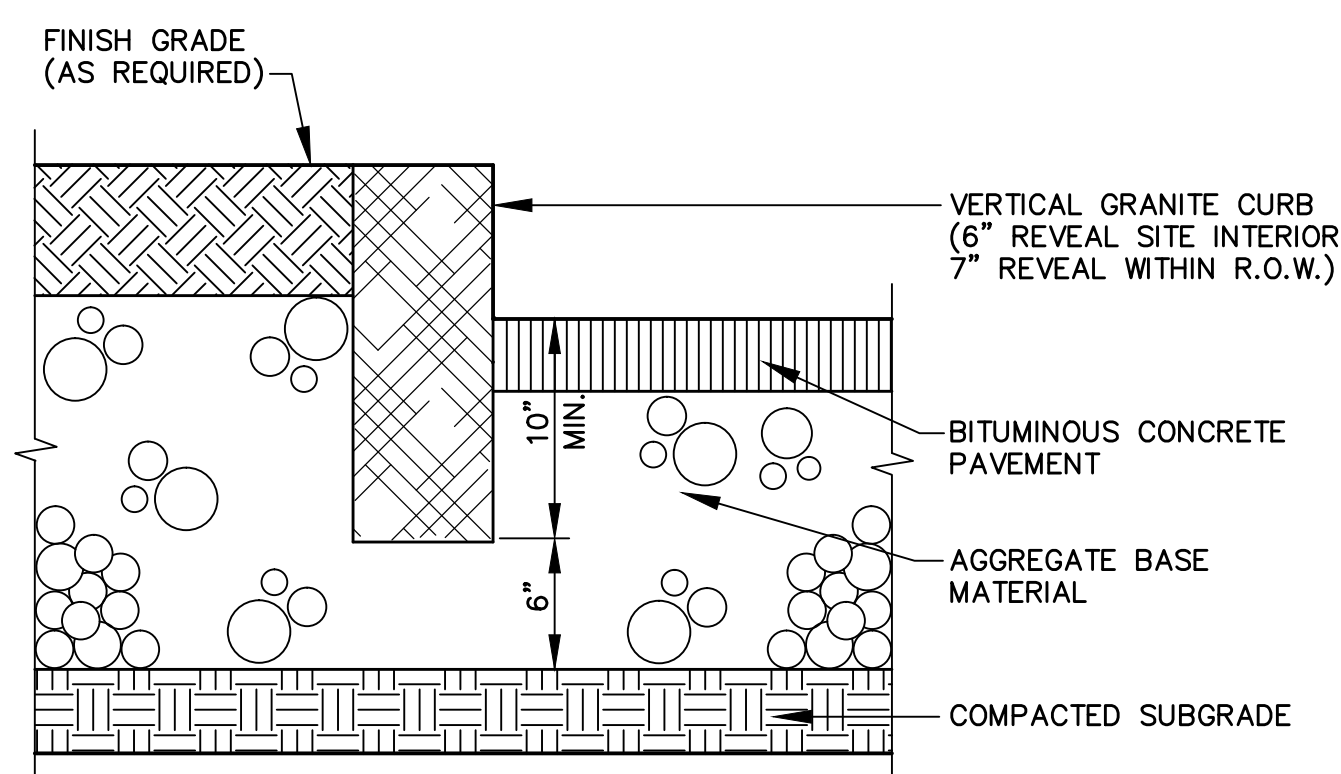
1 FLARED RAMP DETAIL
NOT TO SCALE



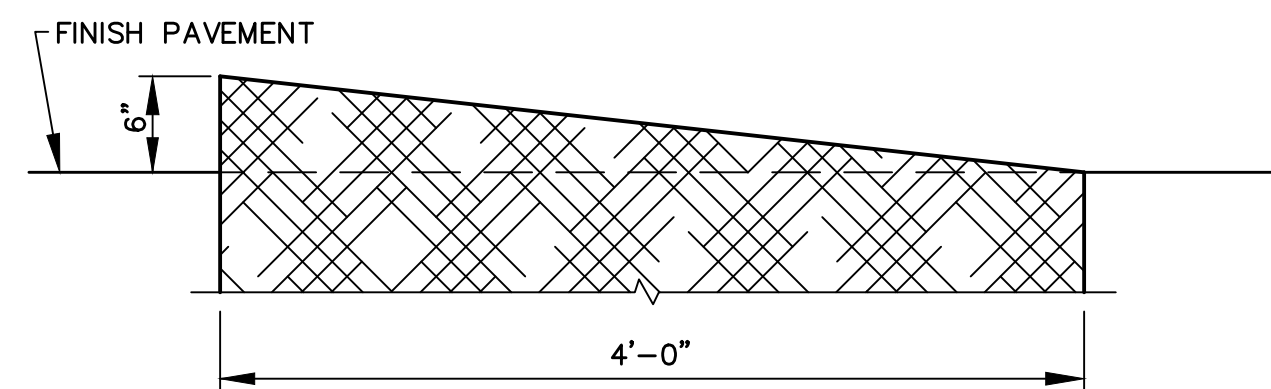
2 GRANITE TRANSITION CURB DETAIL
NOT TO SCALE



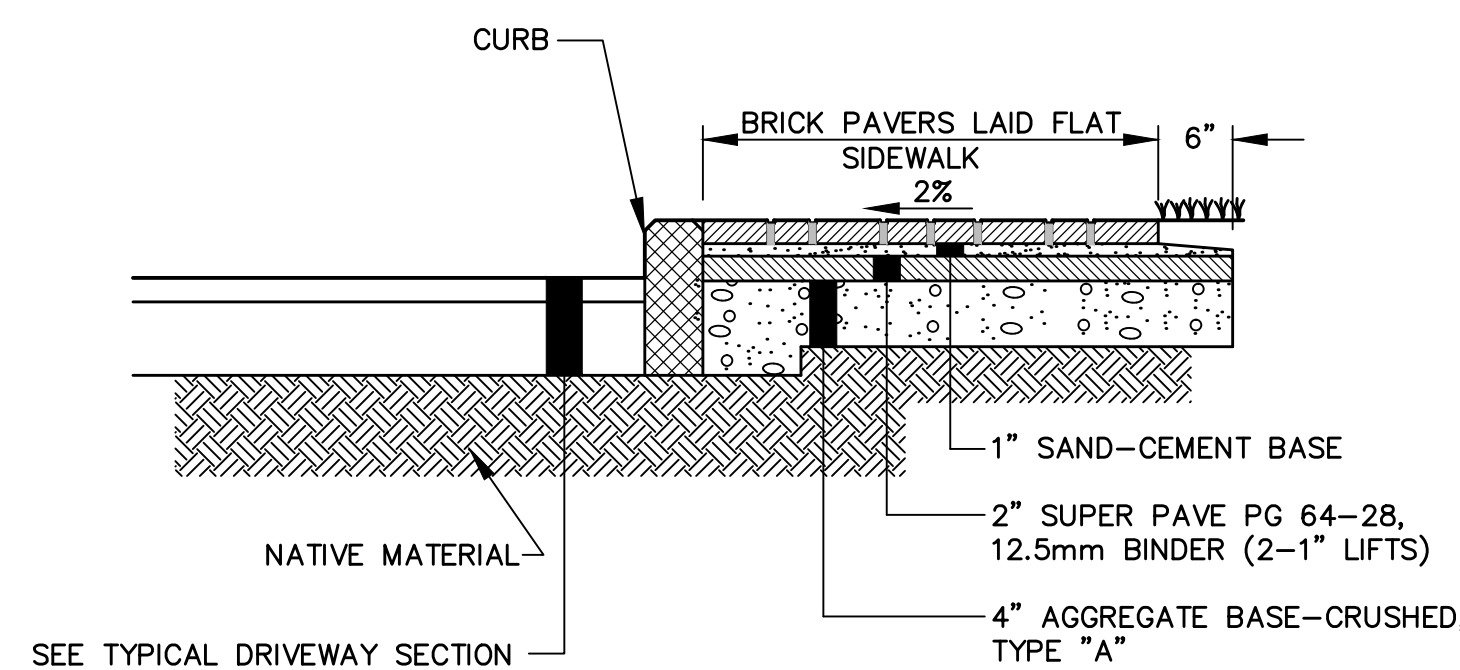
3 SLOPED GRANITE CURB DETAIL
NOT TO SCALE



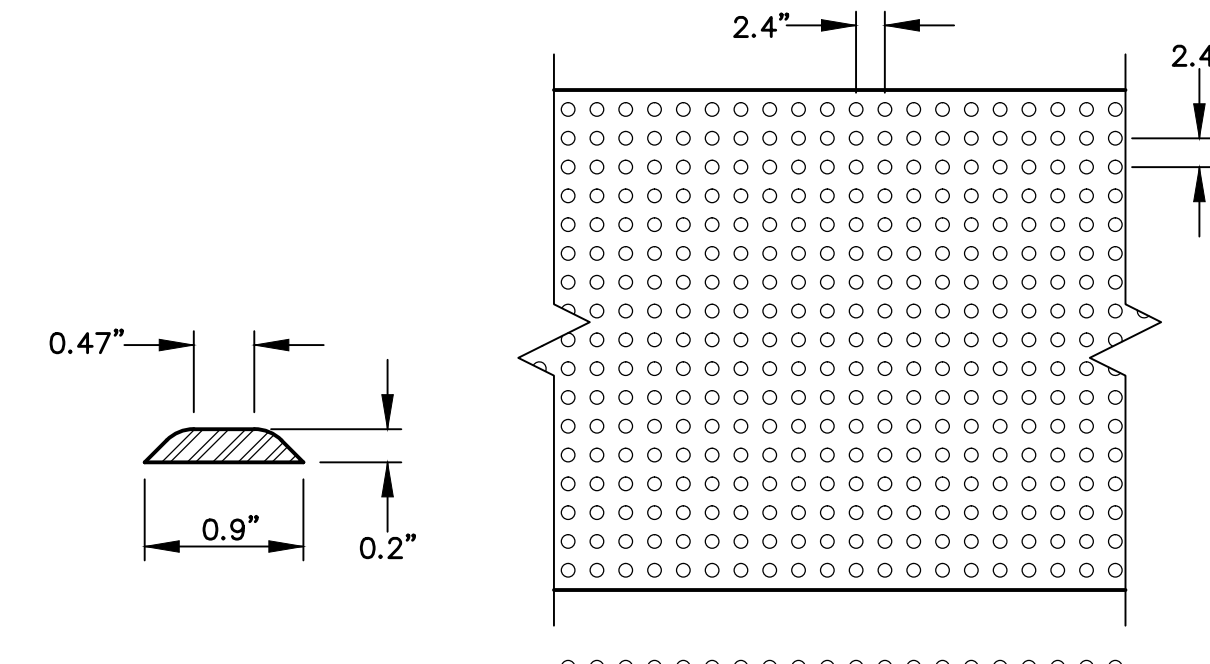
4 VERTICAL GRANITE CURBING
NOT TO SCALE



5 TYPICAL TIPDOWN CURB INSTALLATION
NOT TO SCALE



6 BRICK PAVER SIDEWALK SECTION
NOT TO SCALE



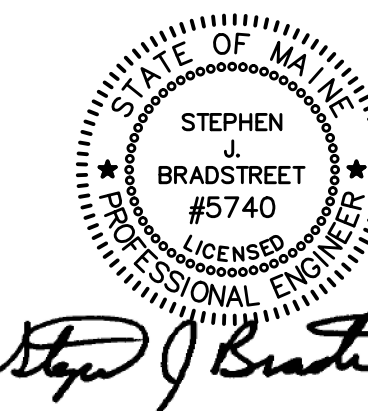
7 TRUNCATED DOMES DETAIL
NOT TO SCALE

PROPOSED AC HOTEL

FORE STREET /
HANCOCK STREET /
THAMES STREET
PORTLAND, MAINE

Prepared for:

PORTLAND NORWICH
GROUP, LLC
2330 PALM RIDGE ROAD
#305
SANIBEL, FL 33957



CIVIL ENGINEER:
STEPHEN J. BRADSTREET, PE #5740
400 COMMERCIAL STREET, SUITE 404
PORTLAND, ME 04101
207-772-2891



400 Commercial Street, Suite 404
Portland, ME 04101
Tel. (207) 772-2891
Fax (207) 772-3248
www.ransomenv.com

CONSTRUCTION
DETAILS

B	PRELIMINARY SUBMISSION	09/29/15
A	CLIENT REVIEW	09/15/15

No.	Revision/Issue	Date

Design by:	MPM	Checked by:	SJB
Drawn by:	JAR	Approved by:	SJB
Project:	150.06094	Date:	AUGUST 2015

Sheet No:
C2.1
Sheet 10 of 13