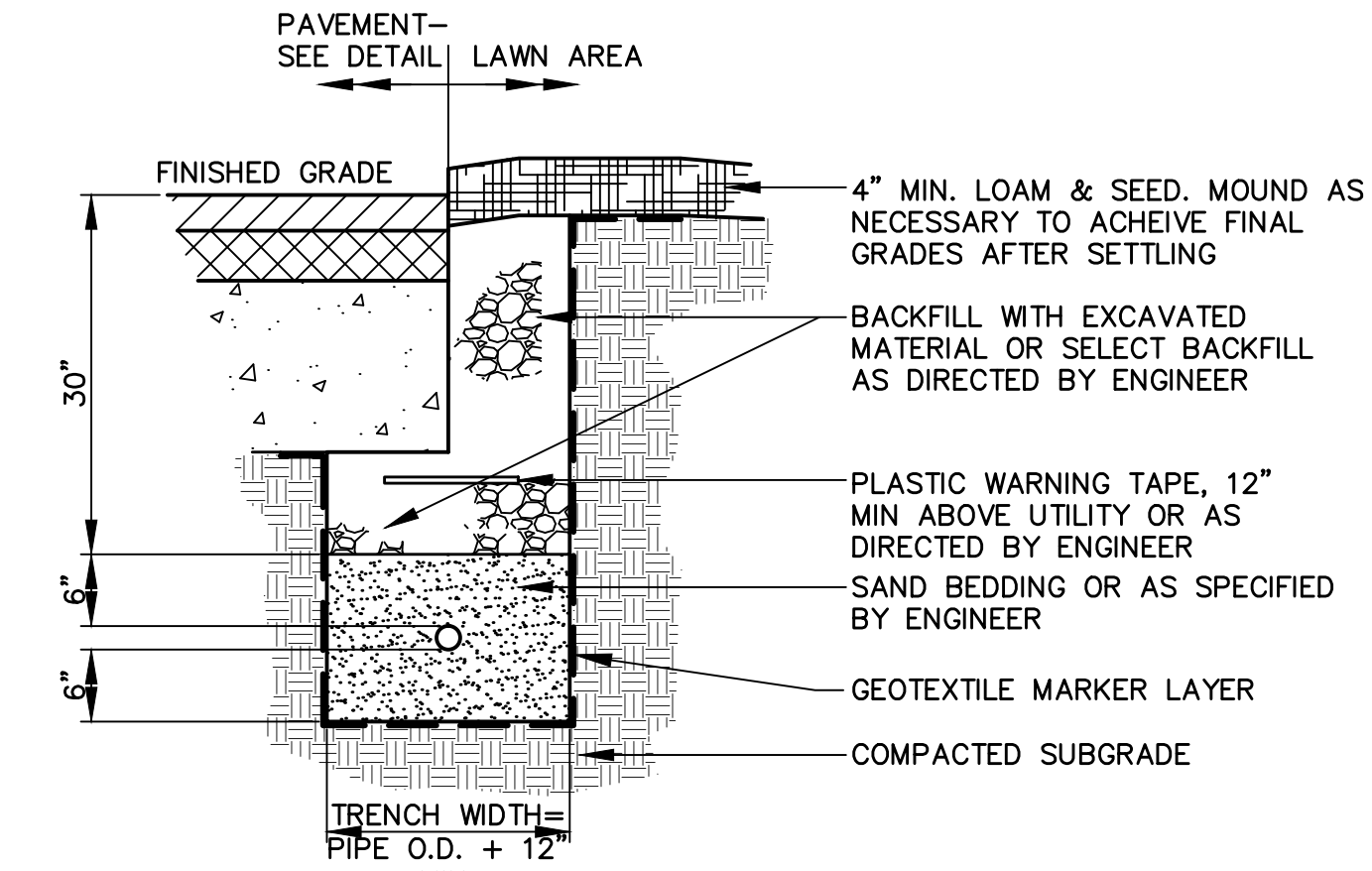
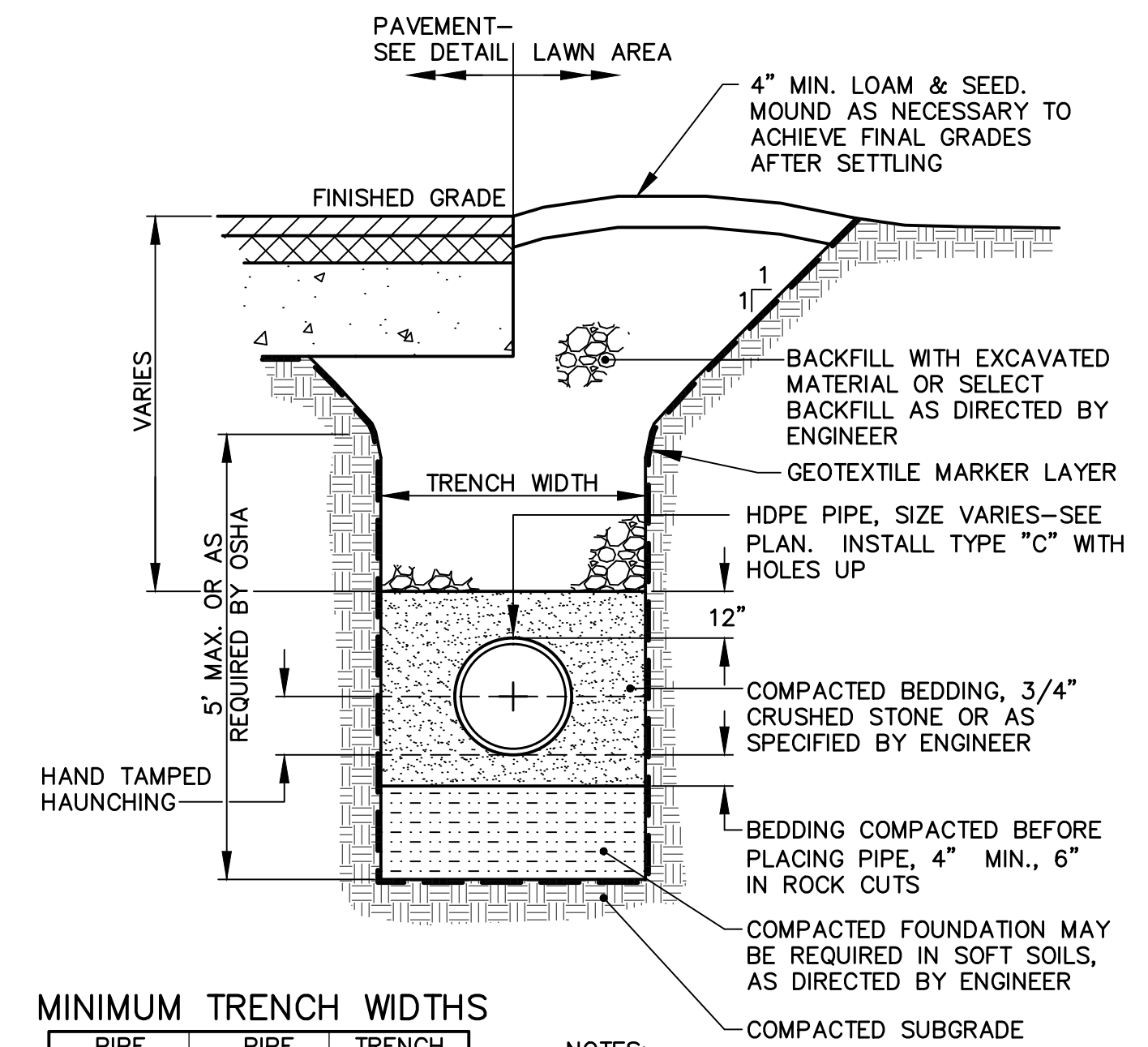


1 UNDERGROUND UTILITY TRENCH DETAIL (WITHIN SITE) NOT TO SCALE



2 GAS OR ELECTRIC UTILITY TRENCH SECTION NOT TO SCALE

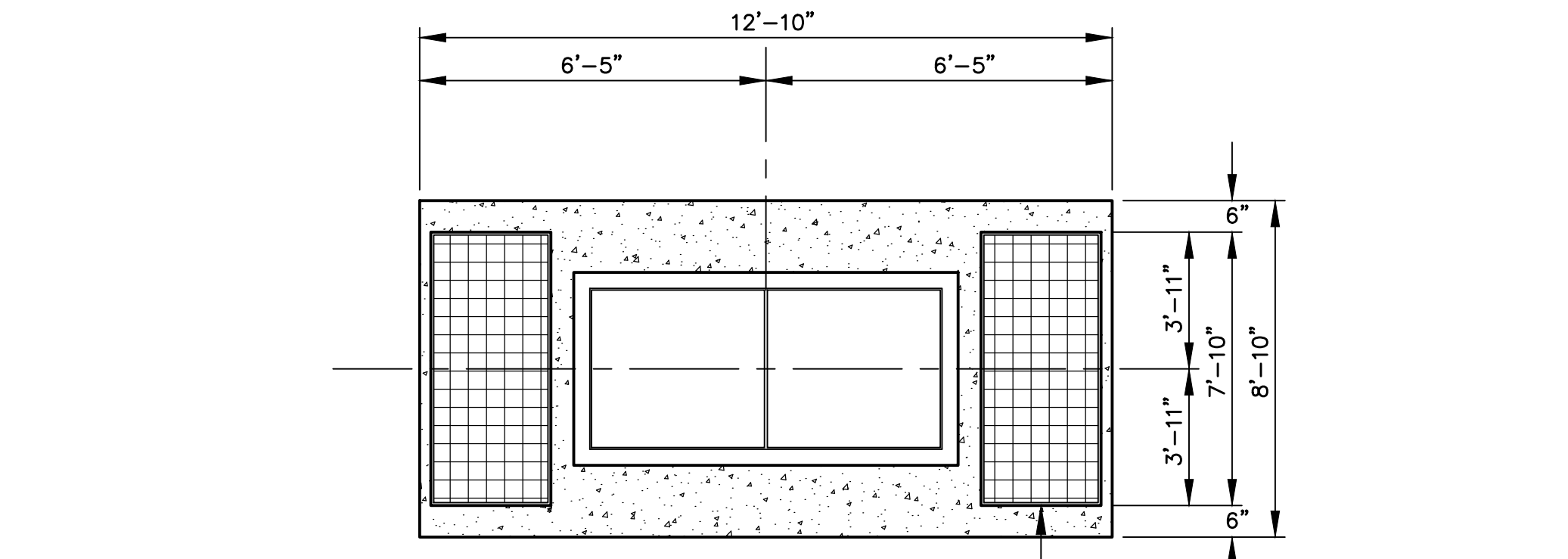


MINIMUM TRENCH WIDTHS

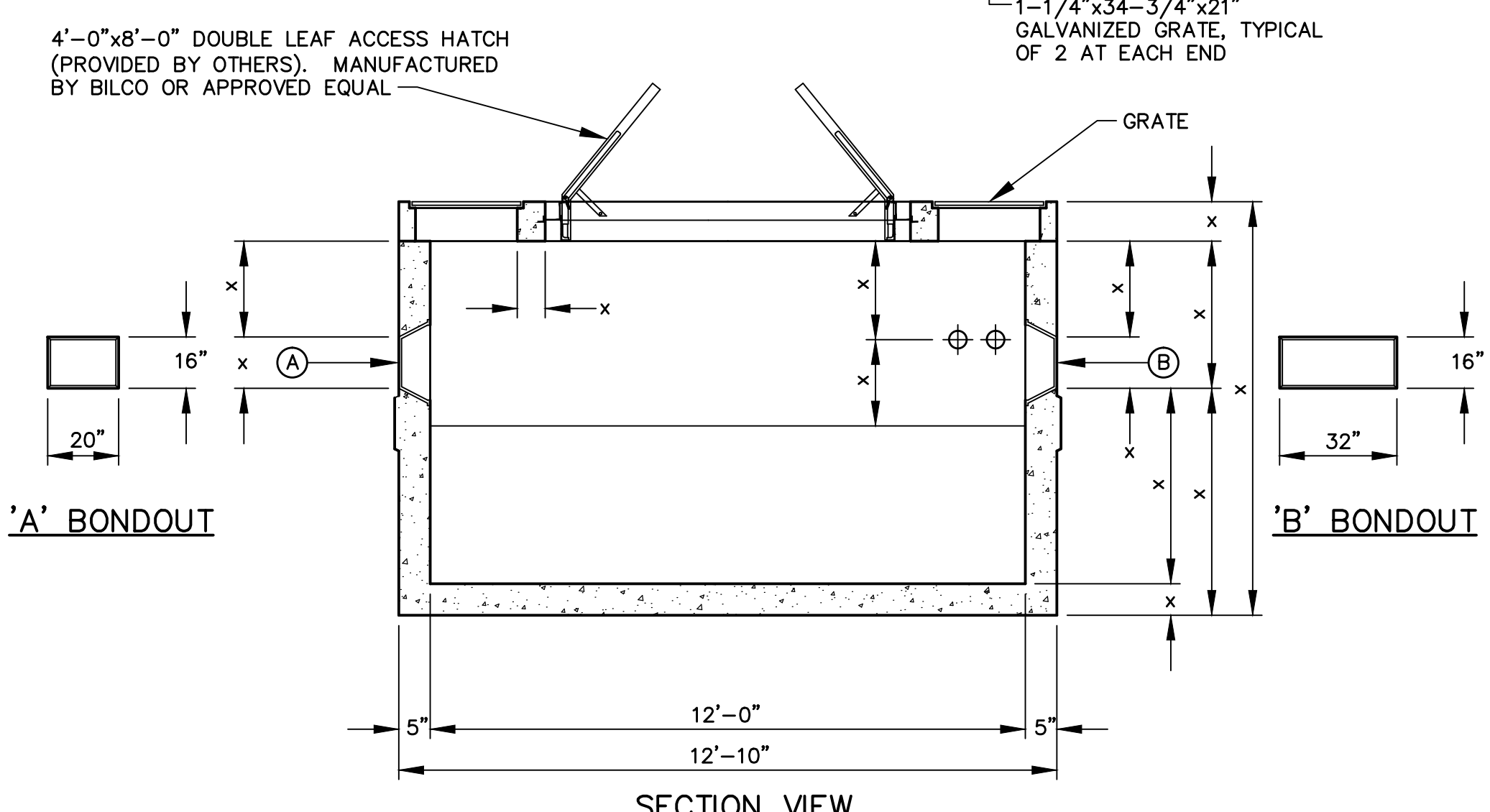
PIPE DIA.	PIPE O.D.	TRENCH WIDTH
12"	14.45"	31"
15"	17.65"	34"
18"	21.10"	39"
24"	28.30"	48"
30"	36.10"	66"
36"	42.25"	78"
42"	47.00"	83"
48"	53.00"	89"
60"	66.30"	102"

- NOTES:
- WHERE TRENCHES PENETRATE DETENTION BASIN EMBANKMENTS OR OTHER SUCH SPECIAL SECTIONS, BACKFILL SHALL CONFORM TO THEIR REQUIREMENTS.
  - INSTALL WATER STOPS EVERY 100' OR AS NECESSARY TO PREVENT FINES FROM MIGRATING.
  - TRENCH WIDTH SHALL BE WIDE ENOUGH TO ACCOMMODATE COMPACTION EQUIPMENT.

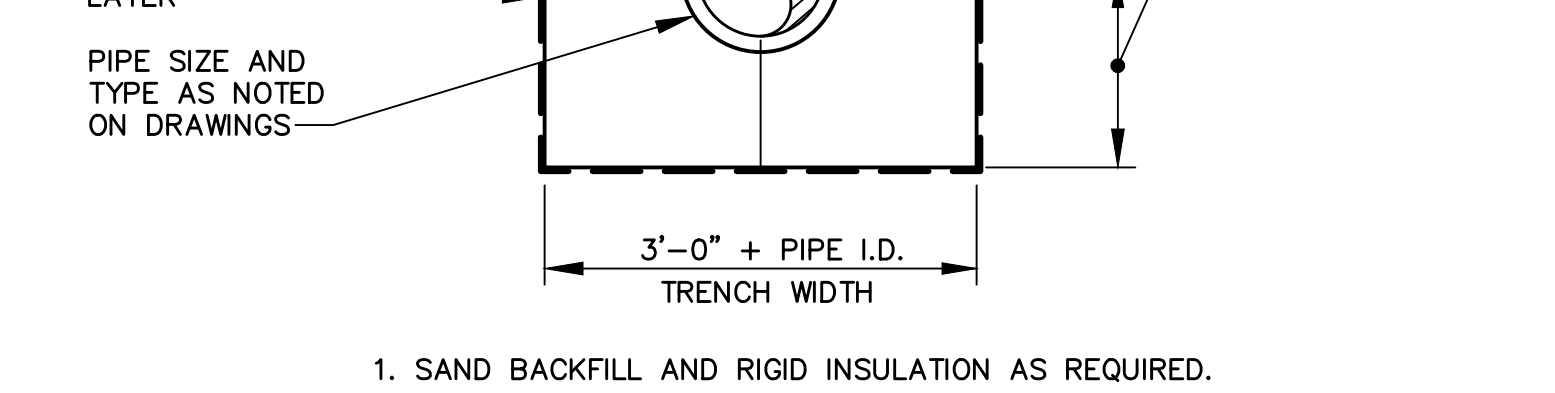
3 STORM/SANITARY PIPE TRENCH NOT TO SCALE



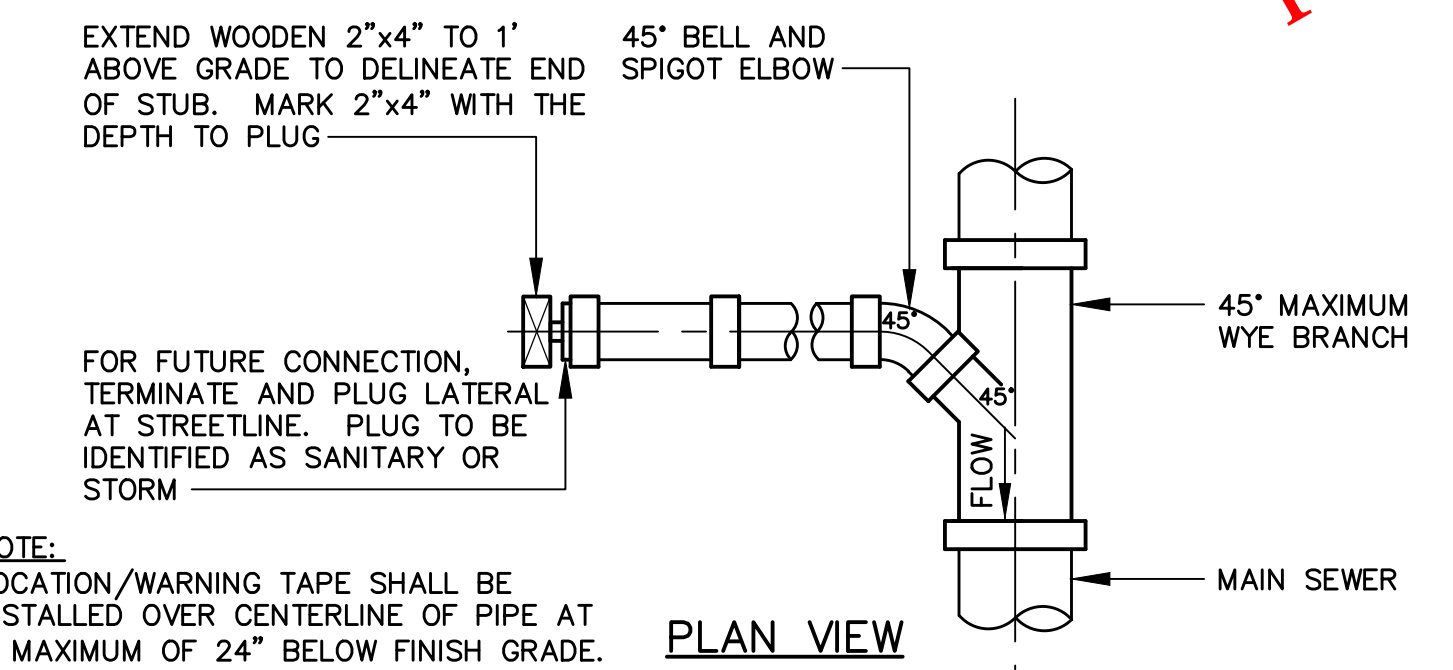
4 WATER TRENCH SECTION NOT TO SCALE



5 8' x 12' SIDEWALK VAULT NOT TO SCALE



6 CONCRETE ENCASED DUCT NOT TO SCALE



7 TYPICAL HOUSE LATERAL TEE/WYE CONNECTION NOT TO SCALE

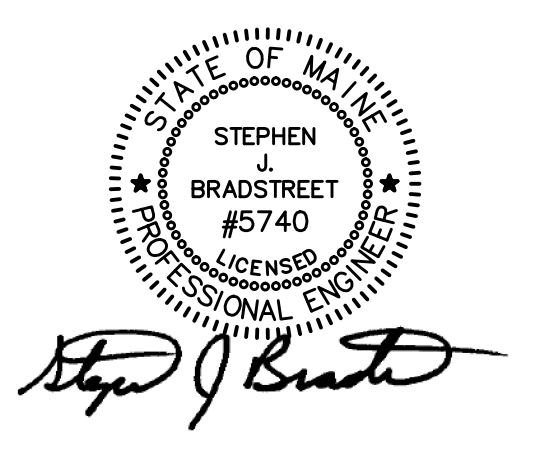
- NOTES:
- CONCRETE: 5,000 PSI AFTER 28 DAYS.
  - JOINTS TO BE SEALED WITH CONSEAL CS102 JOINT SEALANT.
  - KNOCKOUTS EXTEND 6" INTO THE WALL WITH SIDES SLOPED @ 45° FORMING A BELL TYPE OPENING. KNOCKOUTS SHOULD BE CLEAR OF ANY REINFORCING.
  - REINFORCING: DESIGNED FOR H-20 LOADING.
  - HATCH AND GALVANIZED GRATING PROVIDED BY OTHERS.
  - VAULT SHALL BE DESIGNED TO WITHSTAND H-20 WHEEL LOADING WITH 6 INCHES OF OVERBURDEN. THE DESIGN SHALL ALSO COMPLY WITH THE STRENGTH REQUIREMENTS OF NATIONAL ELECTRICAL SAFETY CODE SECTION 323A. PROVIDE SHOP DRAWINGS STAMPED BY A STATE OF MAINE REGISTERED PROFESSIONAL ENGINEER UPON REQUEST.
  - JOINTS SEALED WITH ASPHALT.
  - MOUNTINGS FOR CABLE HOOKS, ETC. CAST IN WALL BY FURTHER PLANE OR FIELD LOCATED.
  - MANHOLE SHALL BE SET ON A SUITABLE GRAVEL BASE.
  - CABLES ARE TO BE RACKED ALONG ONE WALL ONLY.

CASTING WEIGHTS:  
 BASE: 16,850 LBS.  
 BARREL: 8,980 LBS.  
 COVER: 6,750 LBS.

WEIGHTS SHOWN DO NOT INCLUDE LIFTING GEAR.

PROPOSED AC HOTEL  
 PORTLAND  
 FORE STREET /  
 HANCOCK STREET /  
 THAMES STREET  
 PORTLAND, MAINE

Prepared for:  
 PORTLAND NORWICH GROUP, LLC.  
 2330 PALM RIDGE ROAD #305  
 SANIBEL, FLORIDA 33957



CIVIL ENGINEER:  
 STEPHEN J. BRADSTREET, PE #5740  
 400 COMMERCIAL STREET, SUITE 404  
 PORTLAND, ME 04101  
 207-772-2891

PRELIMINARY NOT FOR CONSTRUCTION

**RANSOM**  
 Consulting  
 Engineers  
 and Scientists  
 400 Commercial Street, Suite 404  
 Portland, ME 04101  
 Tel. (207) 772-2891  
 Fax (207) 772-3248  
 www.ransomenv.com

CONSTRUCTION DETAILS

No.	Revision/Issue	Date
C	FINAL SUBMISSION	03/15/16
B	PRELIMINARY SUBMISSION	09/29/15
A	CLIENT REVIEW	09/15/15

Design by:	Checked by:
MPM	SJB
Drawn by:	Approved by:
JAR	SJB
Project:	Date:
150.06094	AUGUST 2015

Sheet No: **C2.3**  
 Sheet 10 of 17