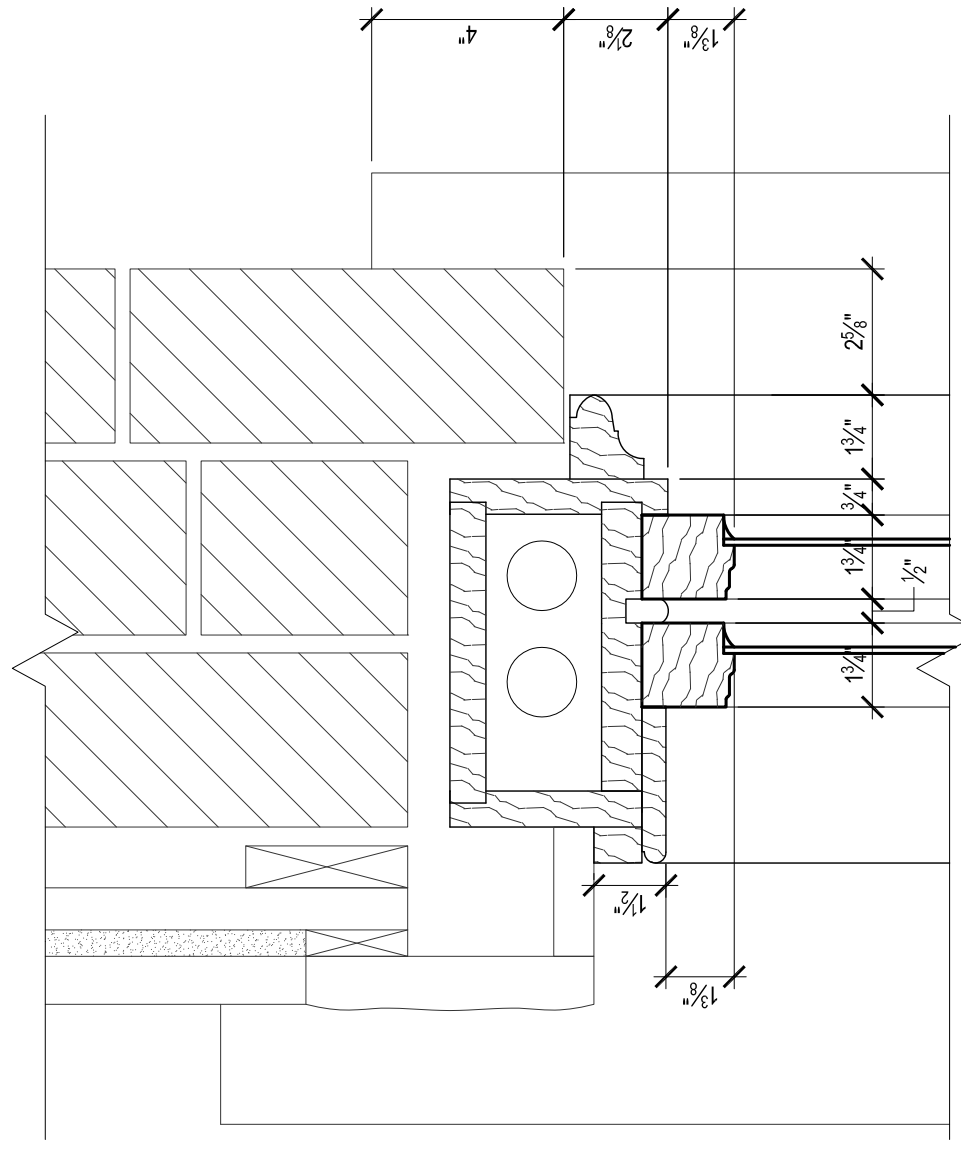
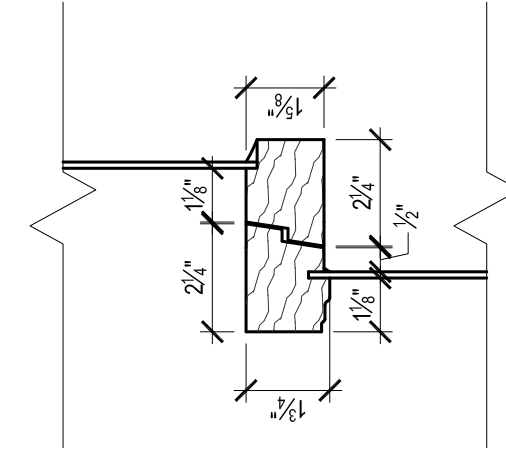


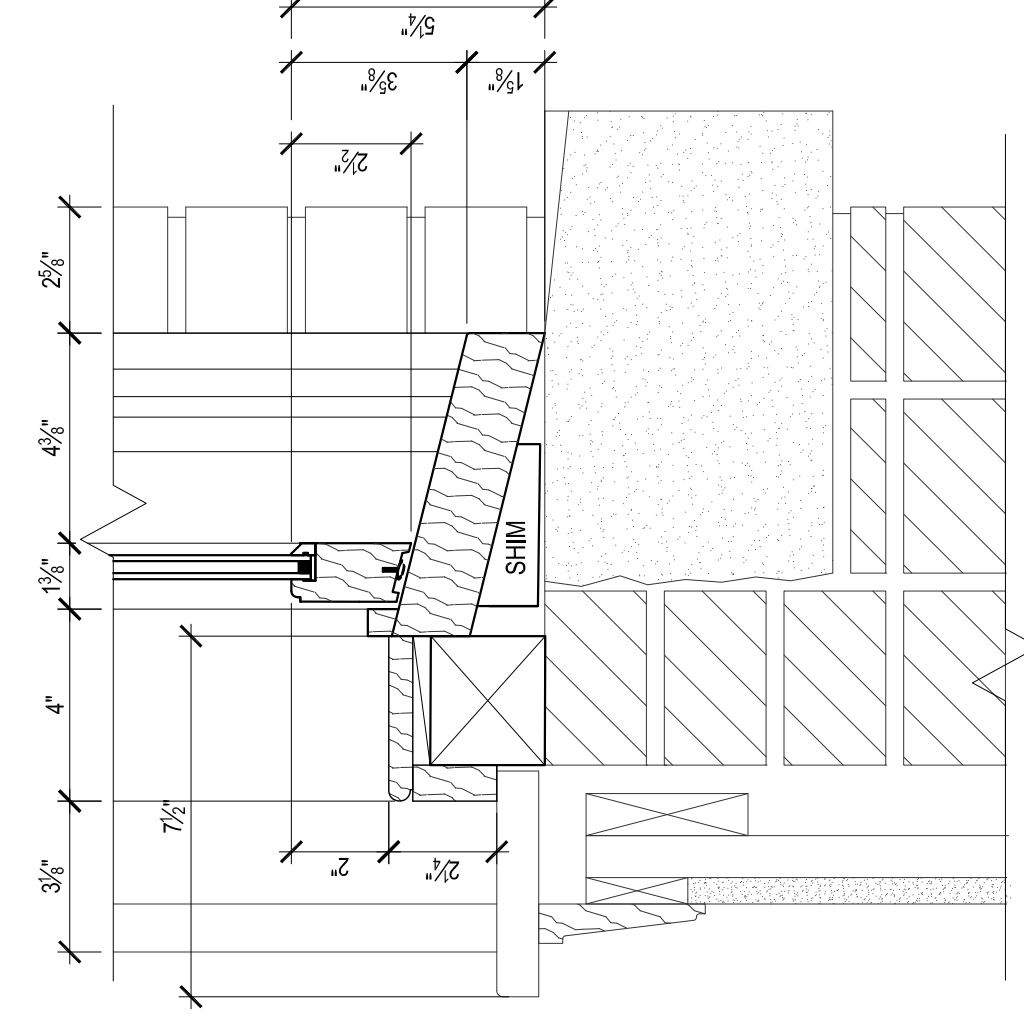
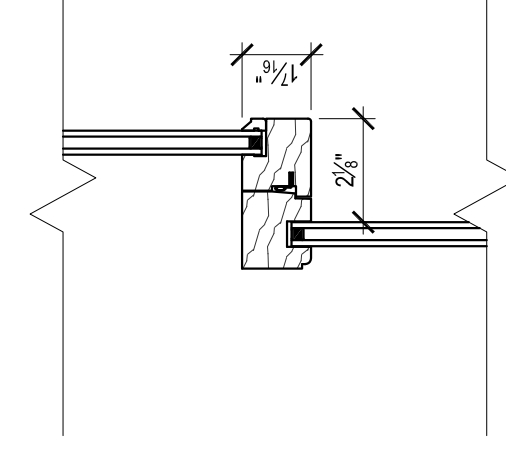
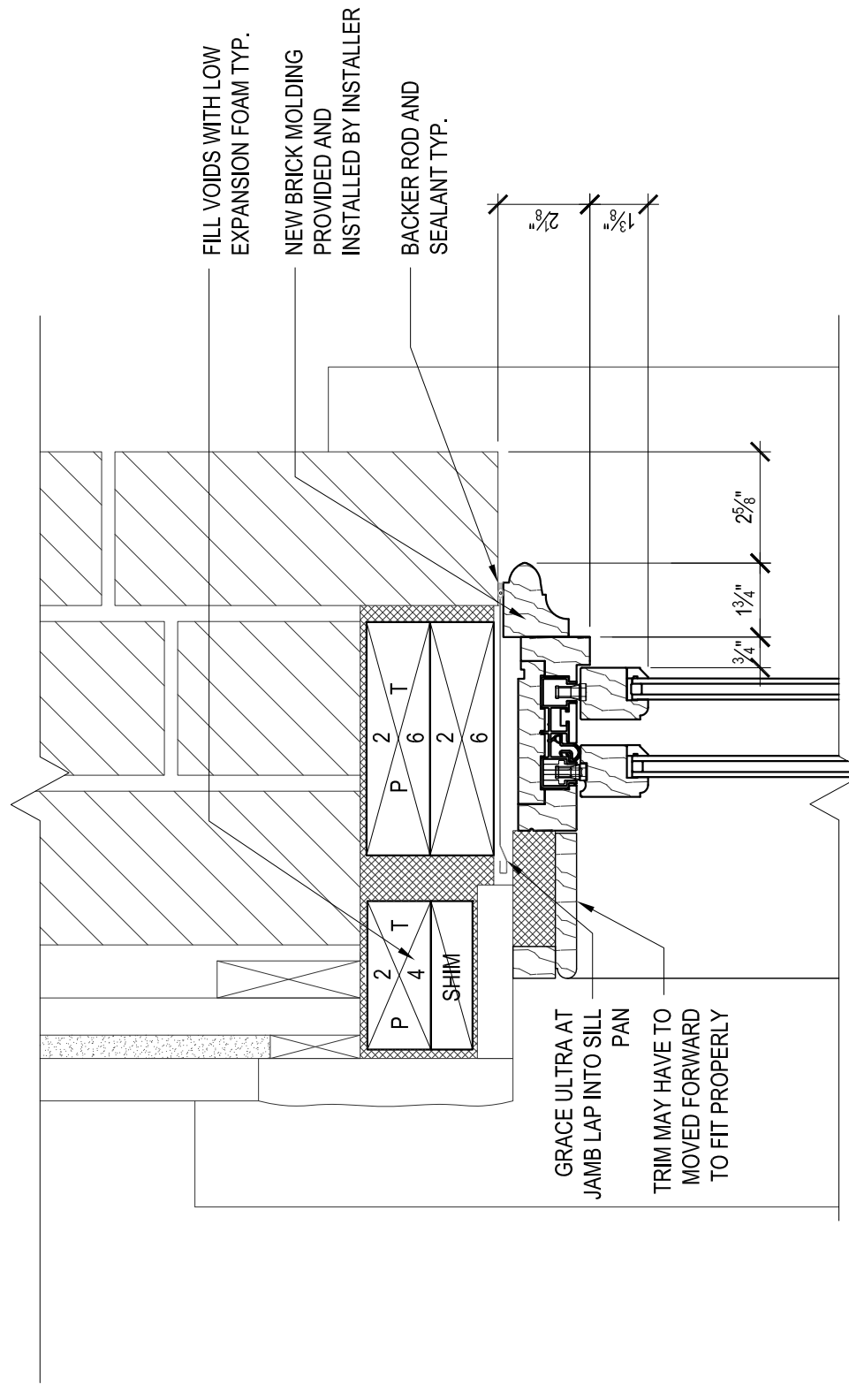
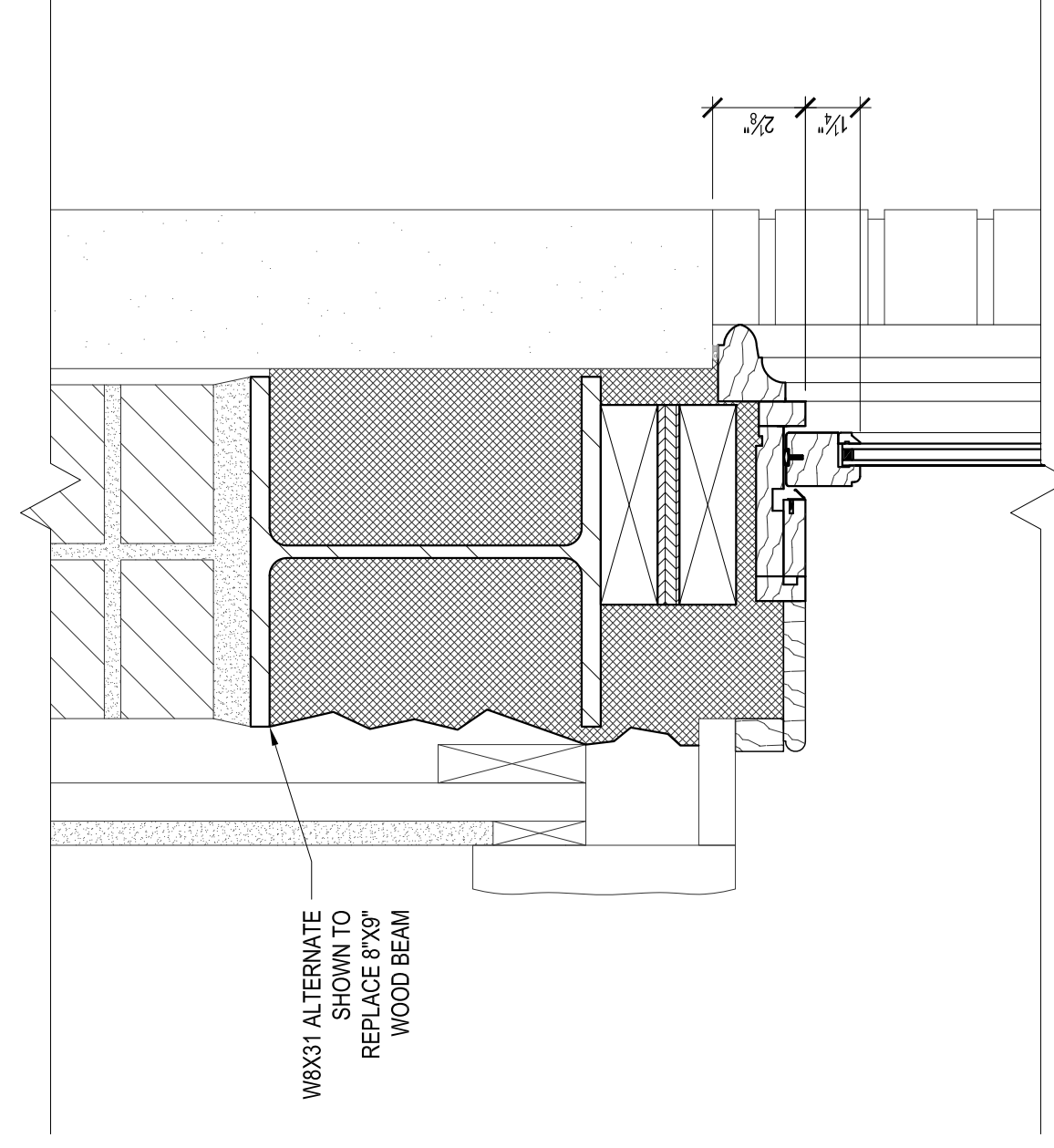
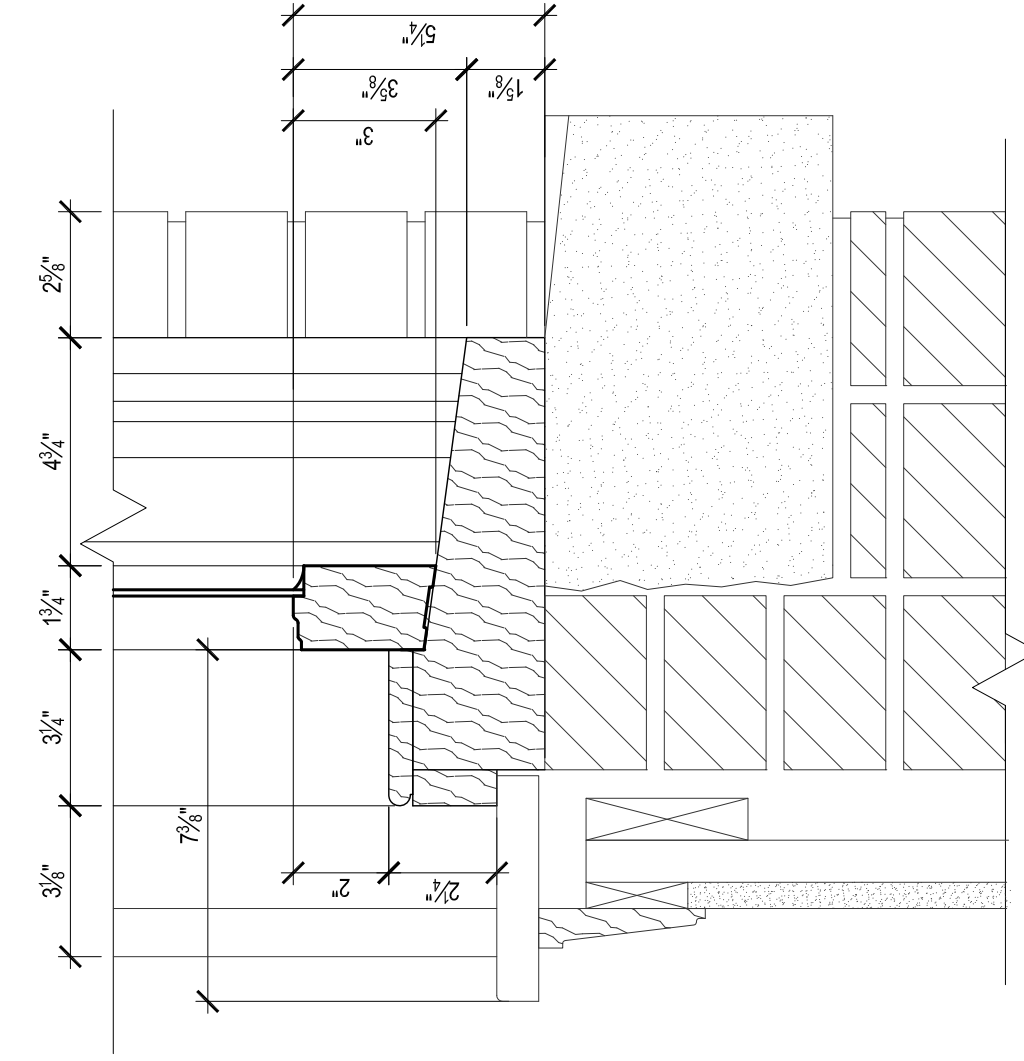
WINDOW HEAD



JAMB



MEETING RAIL



2 EXISTING THIRD FLOOR WINDOW DETAILS

Date: MAR 10 2016  
Scale: As indicated

SECONDFLOOR WINDOW DETAILS

BE9

Revisions:

SCALE: 3/8"=1'-0"

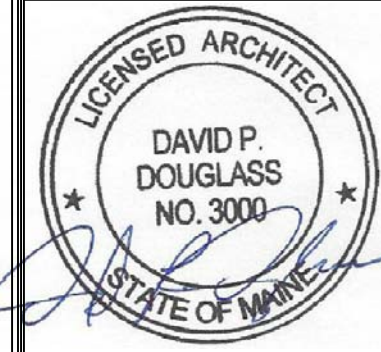
Project: GRAND TRUNK BUILDING  
1 INDIA STREET  
PORTLAND, ME

Architect: ARCHETYPE architects  
48 Union Wharf Portland, Maine 04101  
(207) 772-6027 ARCHETYPE@ARCHETYPEPA.COM

Consultant: Building Envelope Specialists  
PO BOX 28897 SOUTH PORTLAND, MAINE 04118  
PHONE: 207-880-0086

Prepared For: GORHAM SAVINGS BANK  
10 WENTWORTH DRIVE  
GORHAM, ME 04038

SCALE: 3/8"=1'-0"



1 NEW THIRD FLOOR WINDOW DETAILS