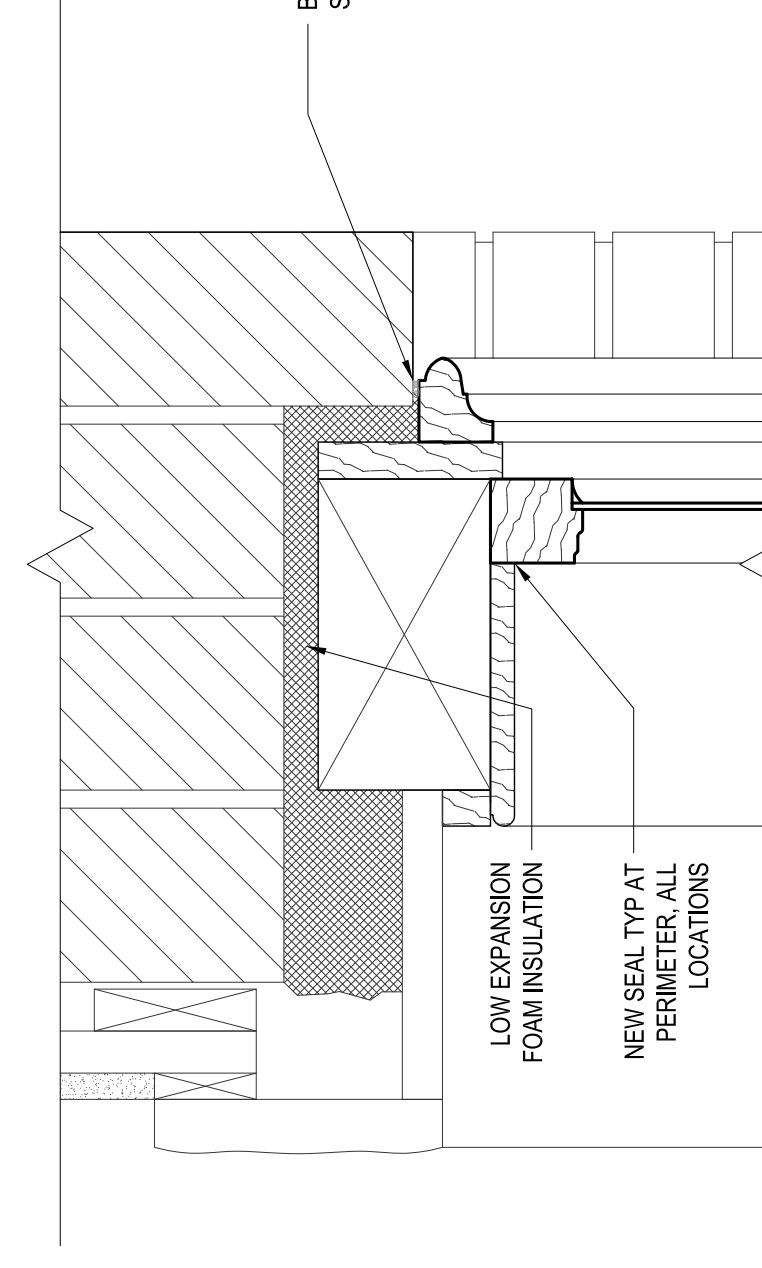
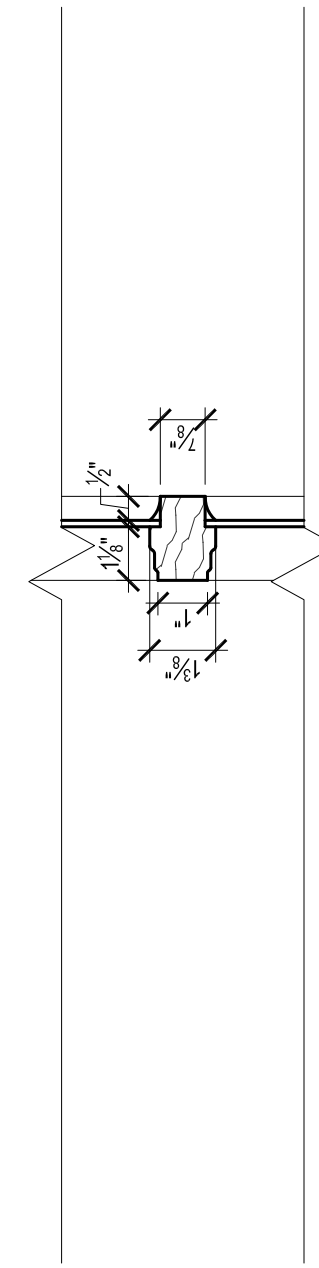
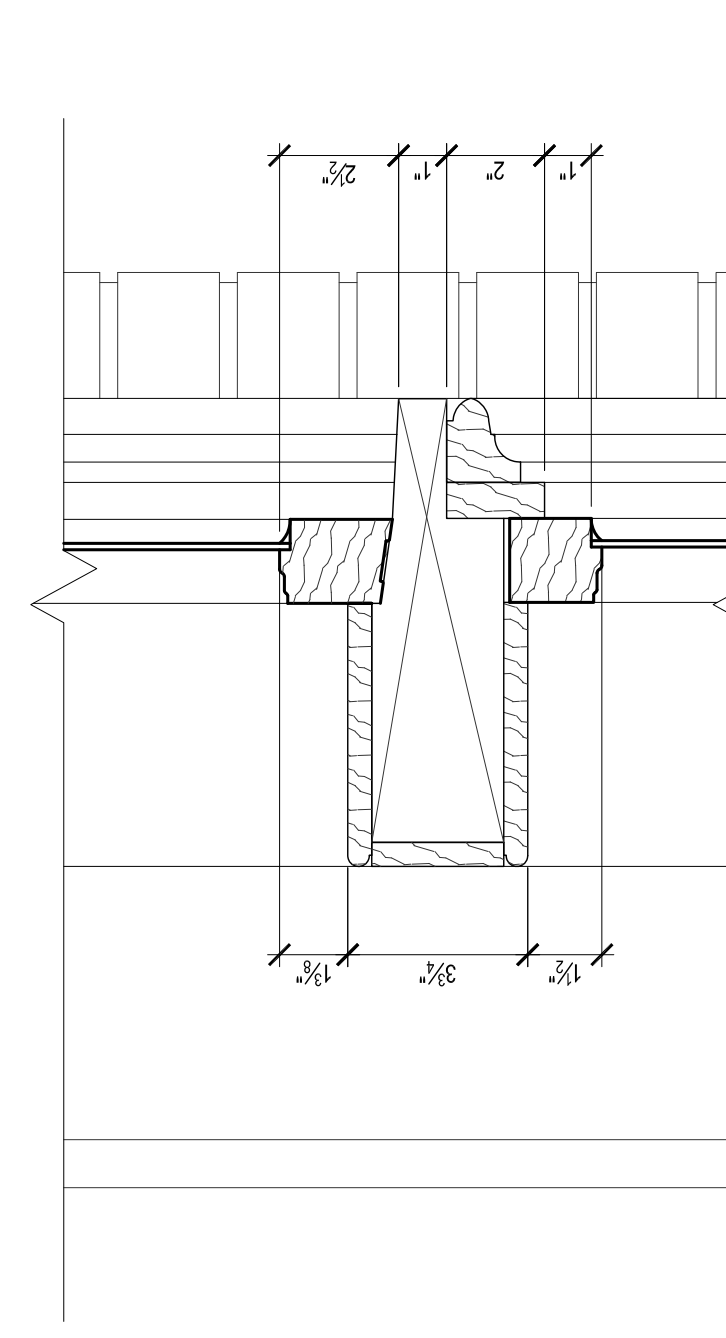


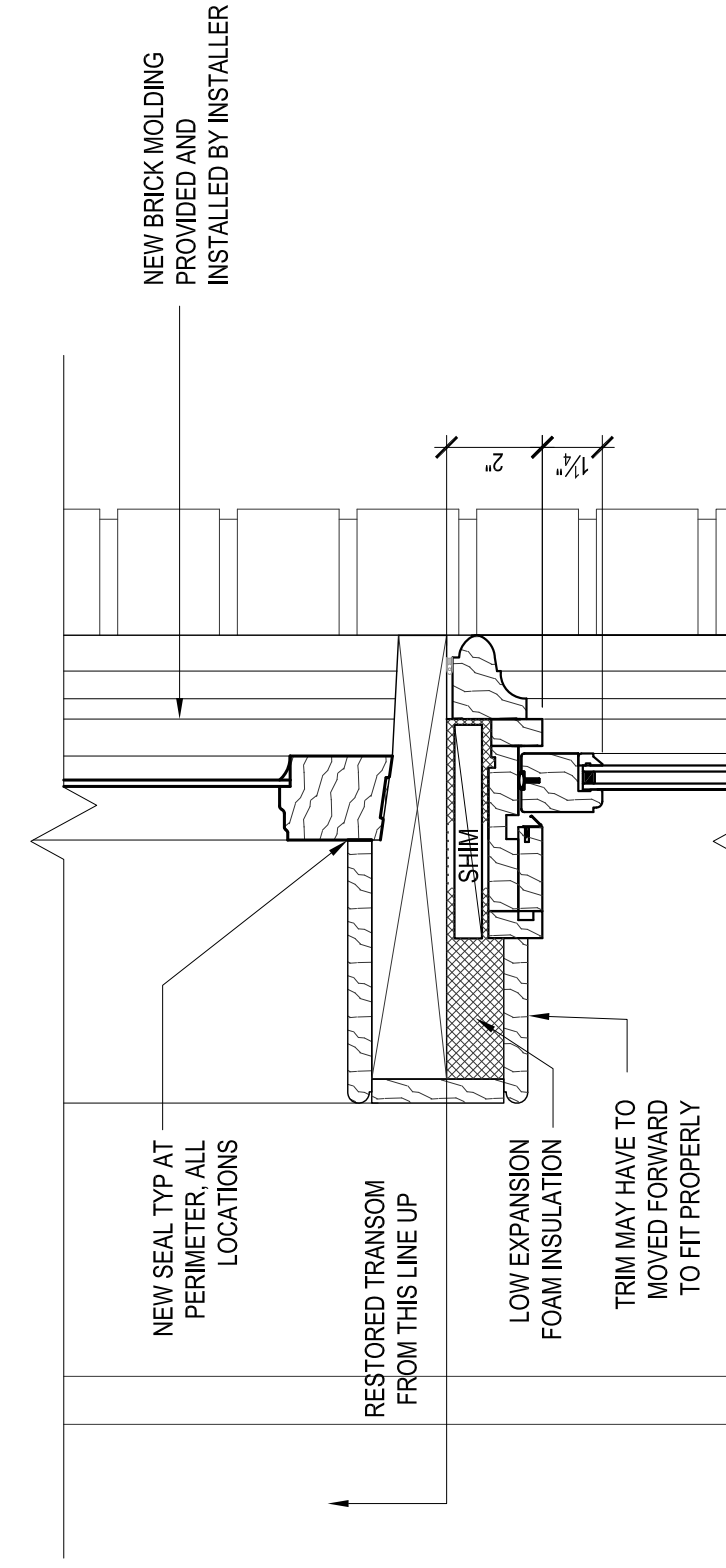
TRANSOM HEAD



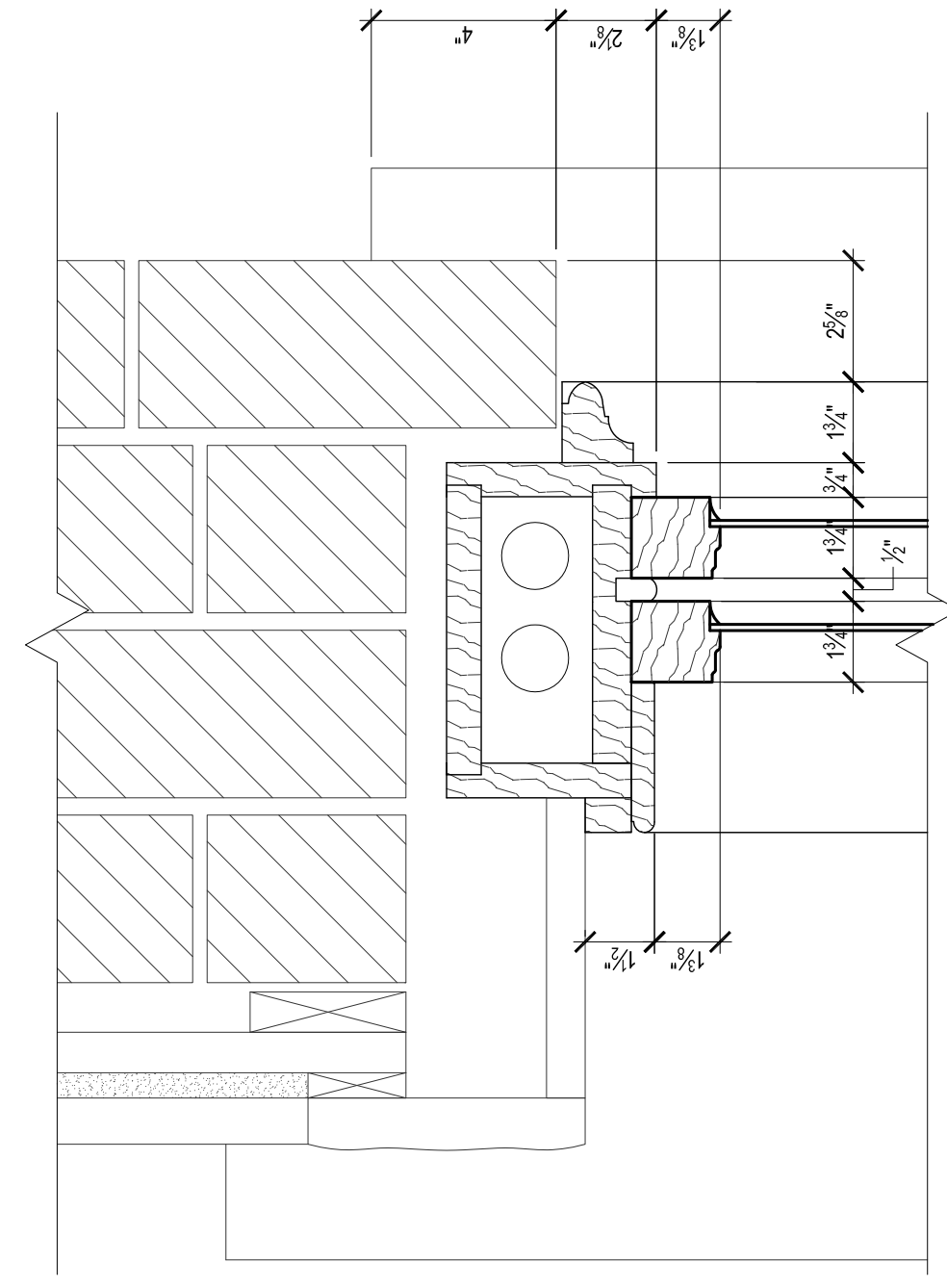
TRANSOM HEAD



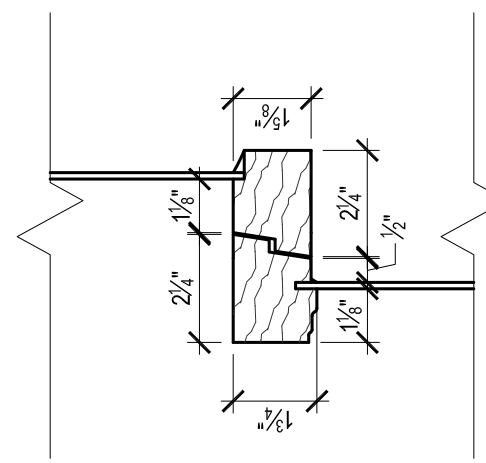
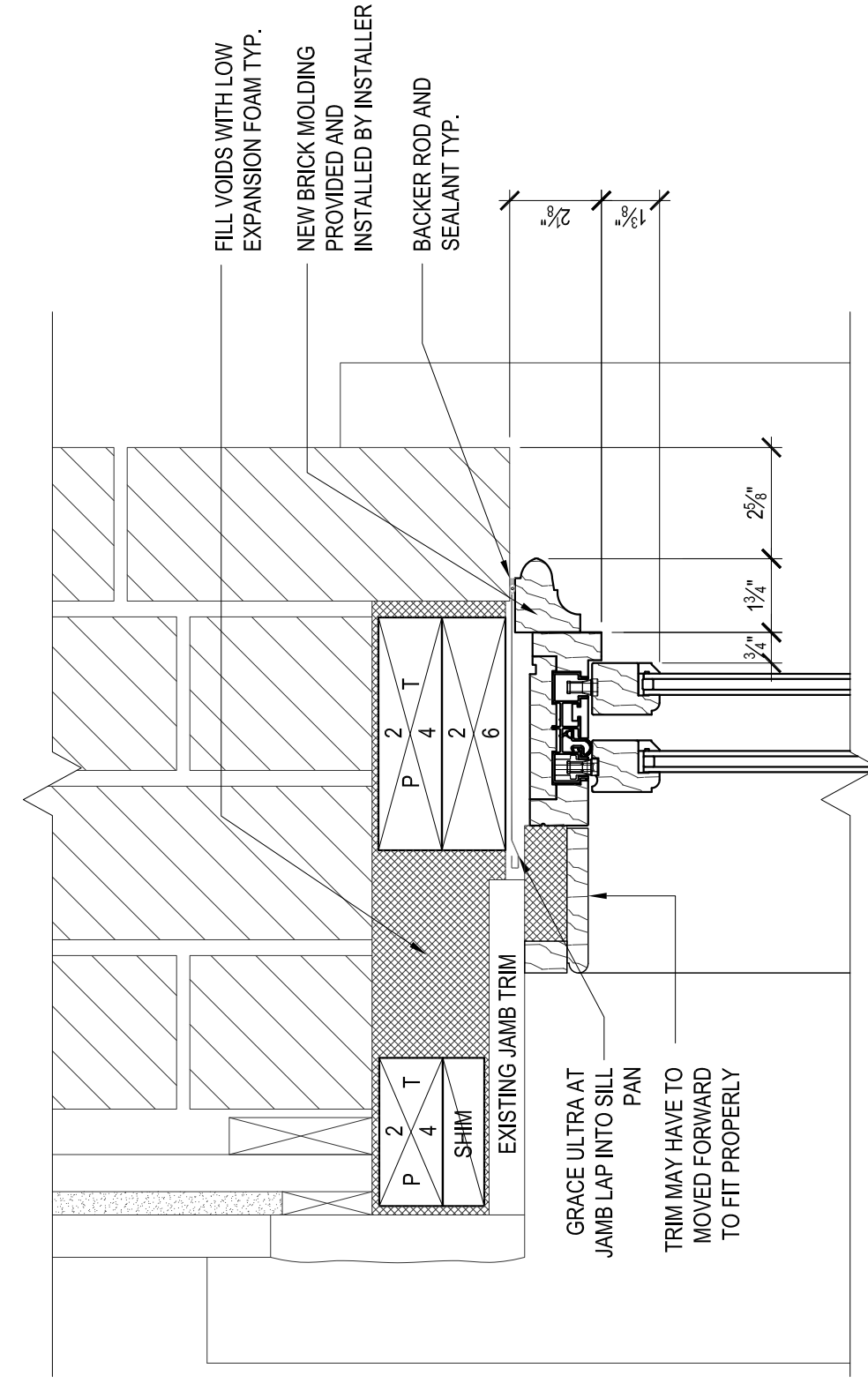
HEAD AT TRANSOM



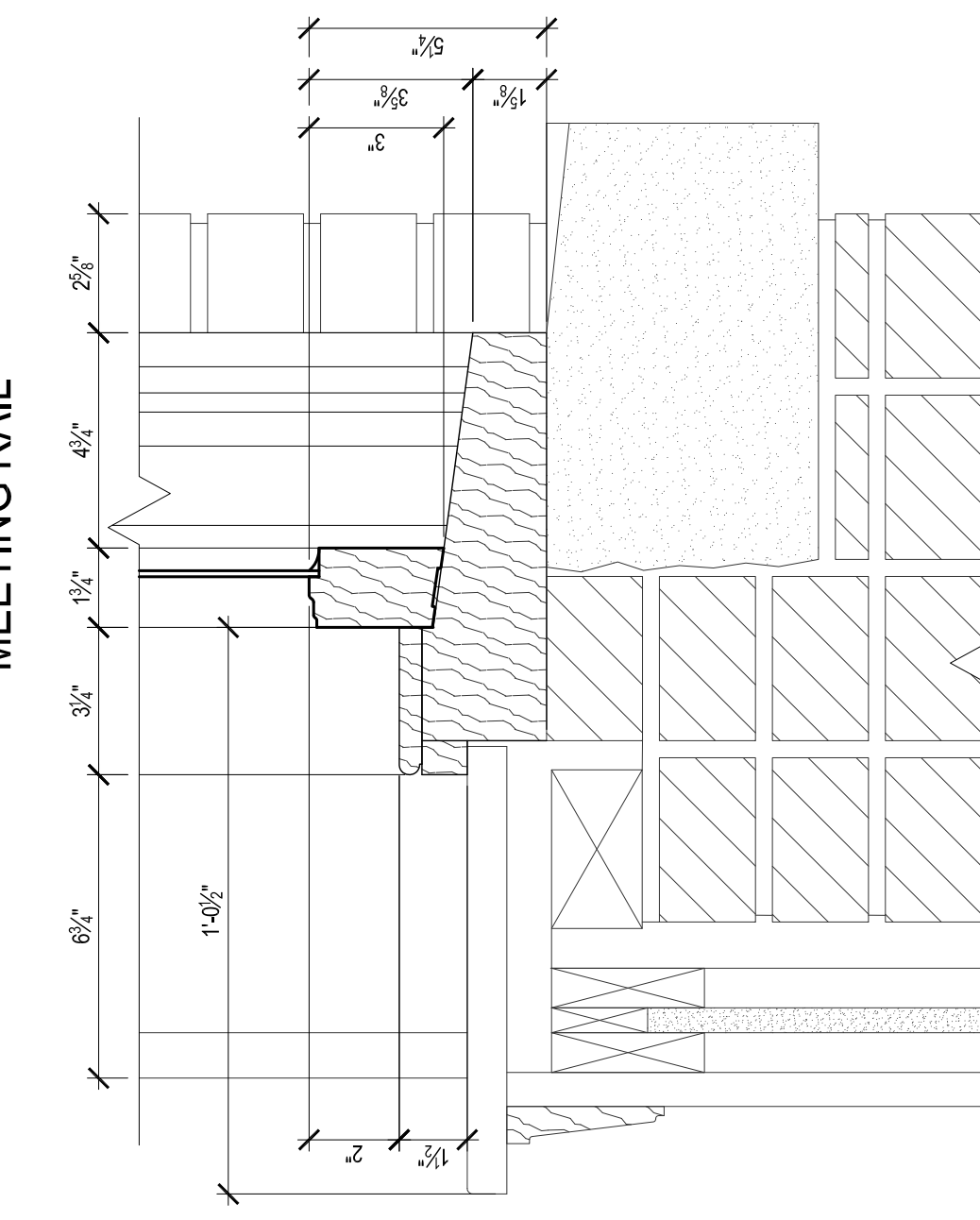
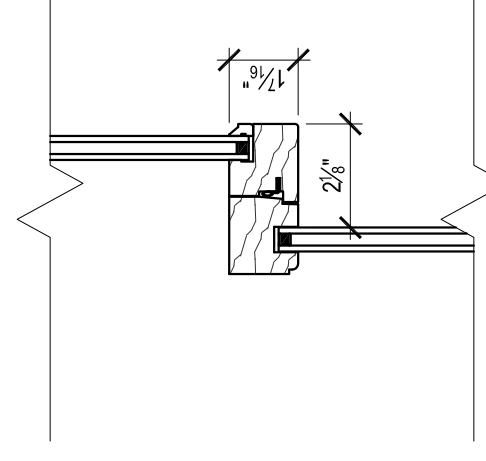
HEAD AT TRANSOM



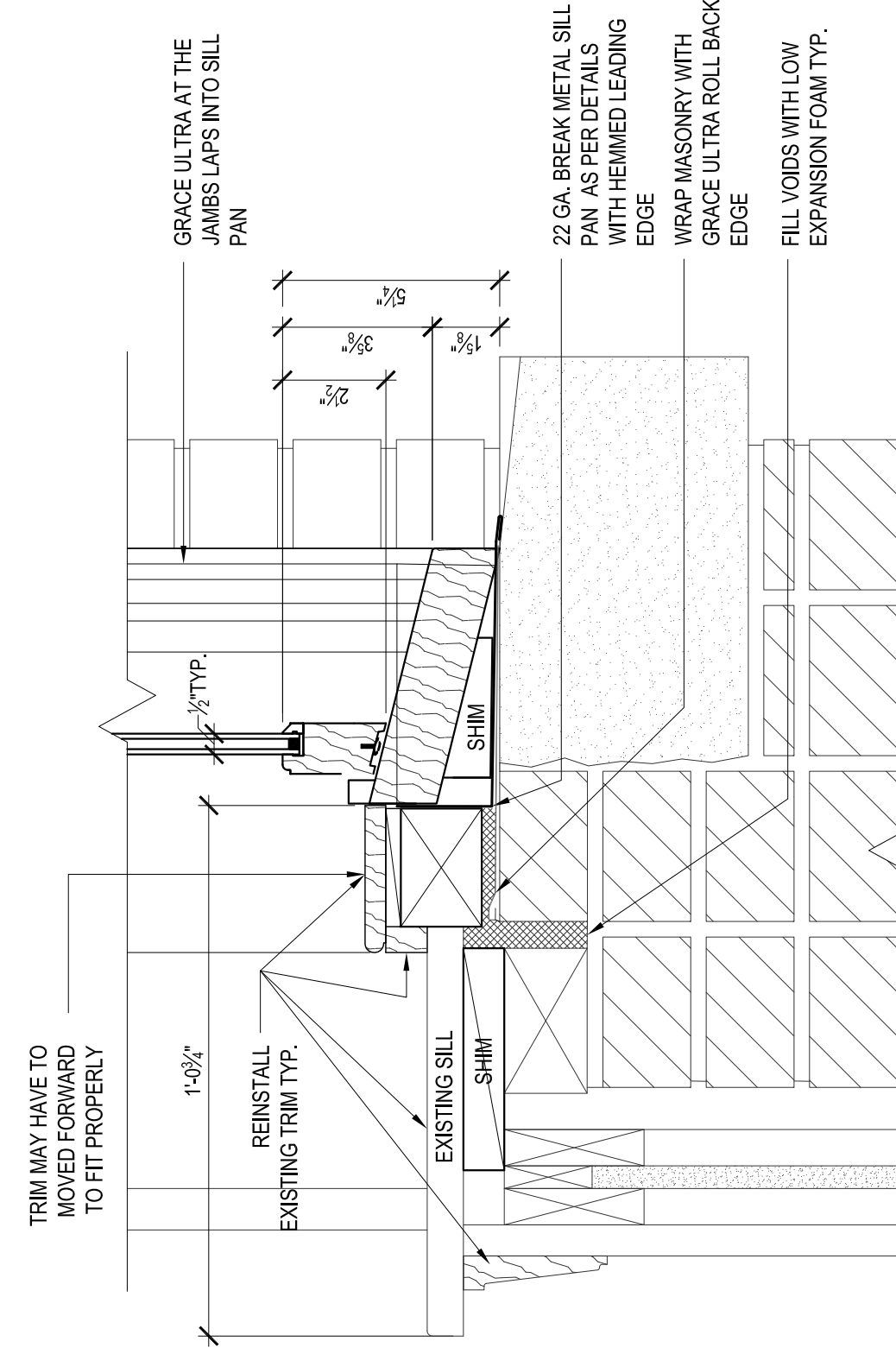
JAMB



MEETING RAIL



SILL



1 EXISTING FIRST FLOOR WINDOW DETAILS

2

NEW FIRST FLOOR WINDOW DETAILS

Date: MAR 10 2016  
 Scale: As indicated  
**FIRST FLOOR WINDOW DETAILS**

Revisions:  
 Project: **GRAND TRUNK BUILDING**  
 Architect: **ARCHETYPE architects**  
 48 Union Wharf Portland, Maine 04101  
 (207) 772-6023 ARCHETYPE@ARCHETYPEPA.COM  
 1 INDIA STREET  
 PORTLAND, ME

Consultant: **Building Envelope Specialists**  
 1111 S. GORHAM ST. PORTLAND, MAINE 04116  
 PHONE: 207-400-0986  
 Prepared For: **GORHAM SAVINGS BANK**  
 10 WENTWORTH DRIVE  
 GORHAM, ME 04038

SCALE: 1/2"=1'-0"  
 LICENSED ARCHITECT  
 DAVID P. DOUGLASS  
 NO. 3000  
 STATE OF MAINE

**BE7**