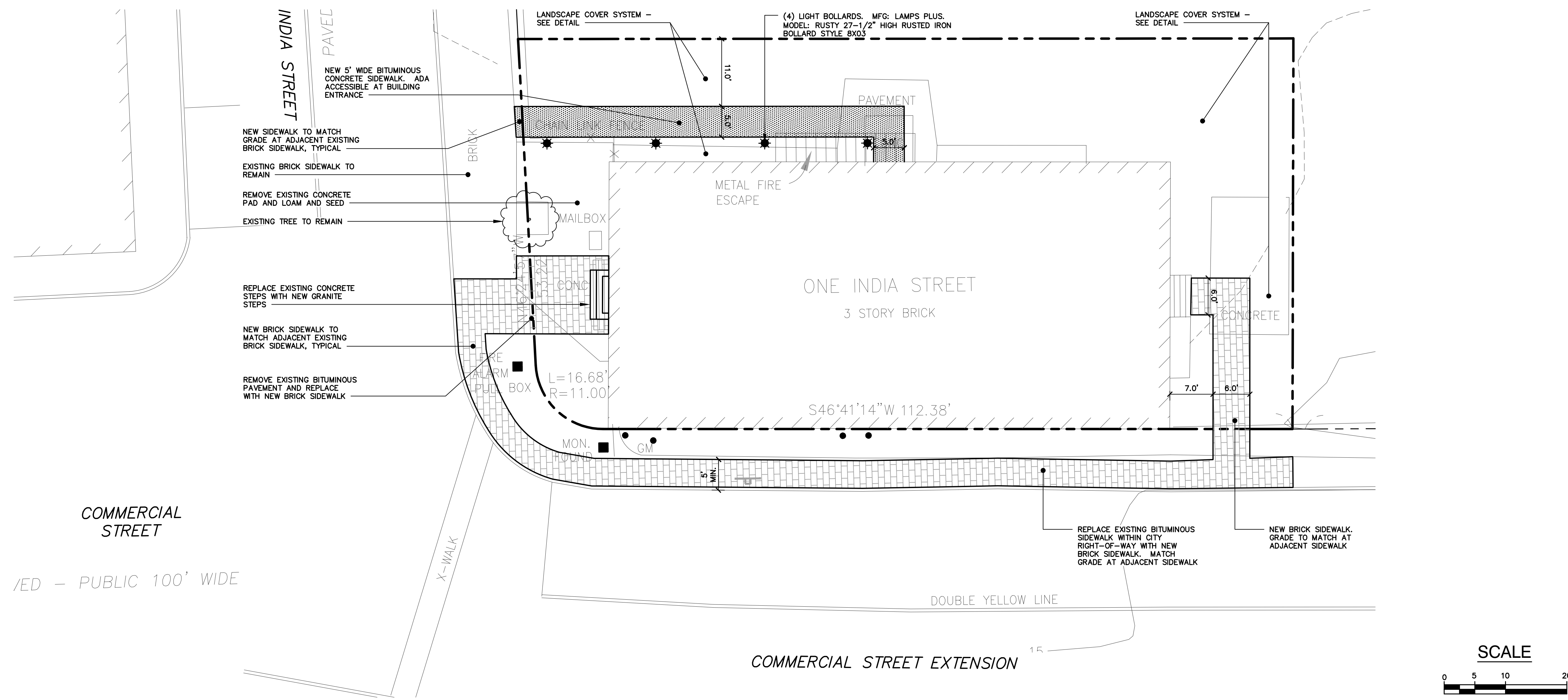
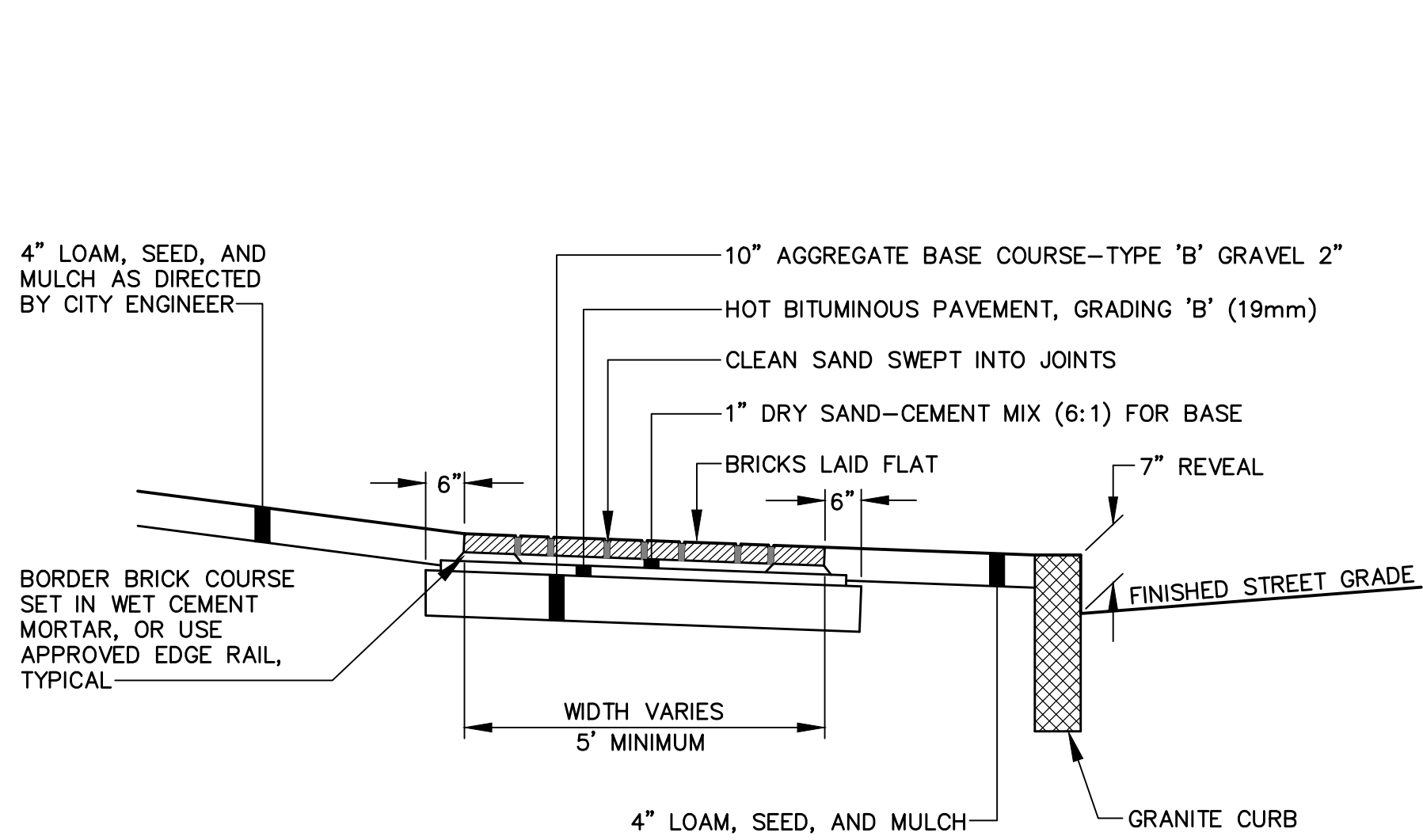




NORTH



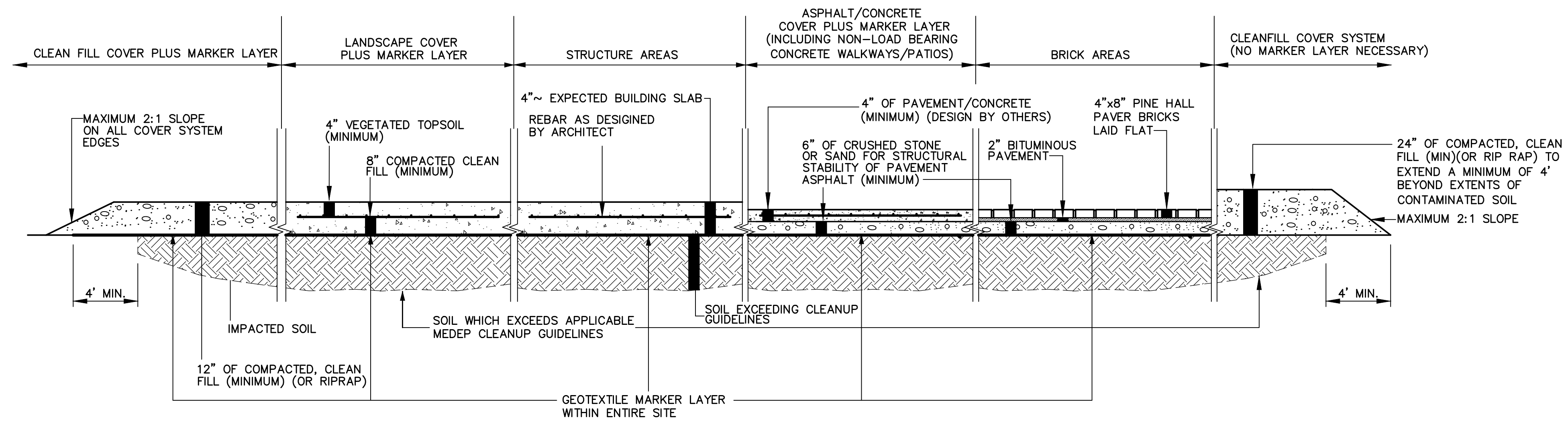
PLAN: 1 INDIA STREET  
SCALE: 1" = 10' (H)



**BRICKS TO BE USED:**  
**NEW CONSTRUCTION:**  
 4"x8" PINE HALL PATHWAY PAVER BRICK MANUFACTURED BY PINE HALL BRICK CO., MADISON, NORTH CAROLINE. LACHANCE ITEM # 193623, PINE HALL PATHWAY BRICK.  
**REPAIR/MAINTENANCE TO EXISTING BRICK SIDEWALKS:**  
 VERMONT PAVER SUPPLIED BY GAGNE AND SONS. SPECIFICATION # VERMONT BACKER BRICK, ITEM # VB8B.

CITY OF PORTLAND  
 BRICK SIDEWALK WITH BITUMINOUS BASE  
 (TYPICAL WITHIN CITY RIGHT-OF-WAY)

1 NOT TO SCALE



**NOTE:**  
 THE QUANTITIES IDENTIFIED ARE MINIMUM REQUIREMENTS FOR COVERING OF THE IDENTIFIED CONTAMINATED SOILS. ADDITIONAL SUB-BASE MATERIALS MAY BE REQUIRED IN AREAS PROPOSED FOR ASPHALT PAVING, BUILDINGS AND/OR CONCRETE SIDEWALKS/PATIOS, AS NECESSARY, TO MAINTAIN STRUCTURAL INTEGRITY OF THESE MATERIALS. THE SITE DESIGN ENGINEER IS REQUIRED TO MAKE THE DETERMINATION OF STRUCTURAL SUITABILITY.

2 SOIL COVER SYSTEM (WITHIN LIMITS OF SITE)  
 NOT TO SCALE

Site: **GRAND TRUNK BUILDING**  
 1 INDIA STREET  
 PORTLAND, MAINE

Prepared for:  
**GORHAM SAVINGS BANK**  
 64 MAIN STREET  
 GORHAM, MAINE 04038

CIVIL ENGINEER:  
**MAUREEN P. MCGLONE, PE #**  
 400 COMMERCIAL STREET, SUITE 404  
 PORTLAND, ME 04101  
 207-772-2891

400 Commercial Street, Suite 404  
 Portland, ME 04101  
 Tel. (207) 772-2891  
 Fax (207) 772-3248  
 www.ransomenv.com

**SITE PLAN**

No.	Revision/Issue	Date
A	BUILDING SUBMISSION	03/15/16

Design by:	MPM	Checked by:	SJB
Drawn by:	JAR	Approved by:	SJB
Project:	140.06143	Date:	MARCH 2016

Sheet No: **C-100**  
 Sheet 1 of 2