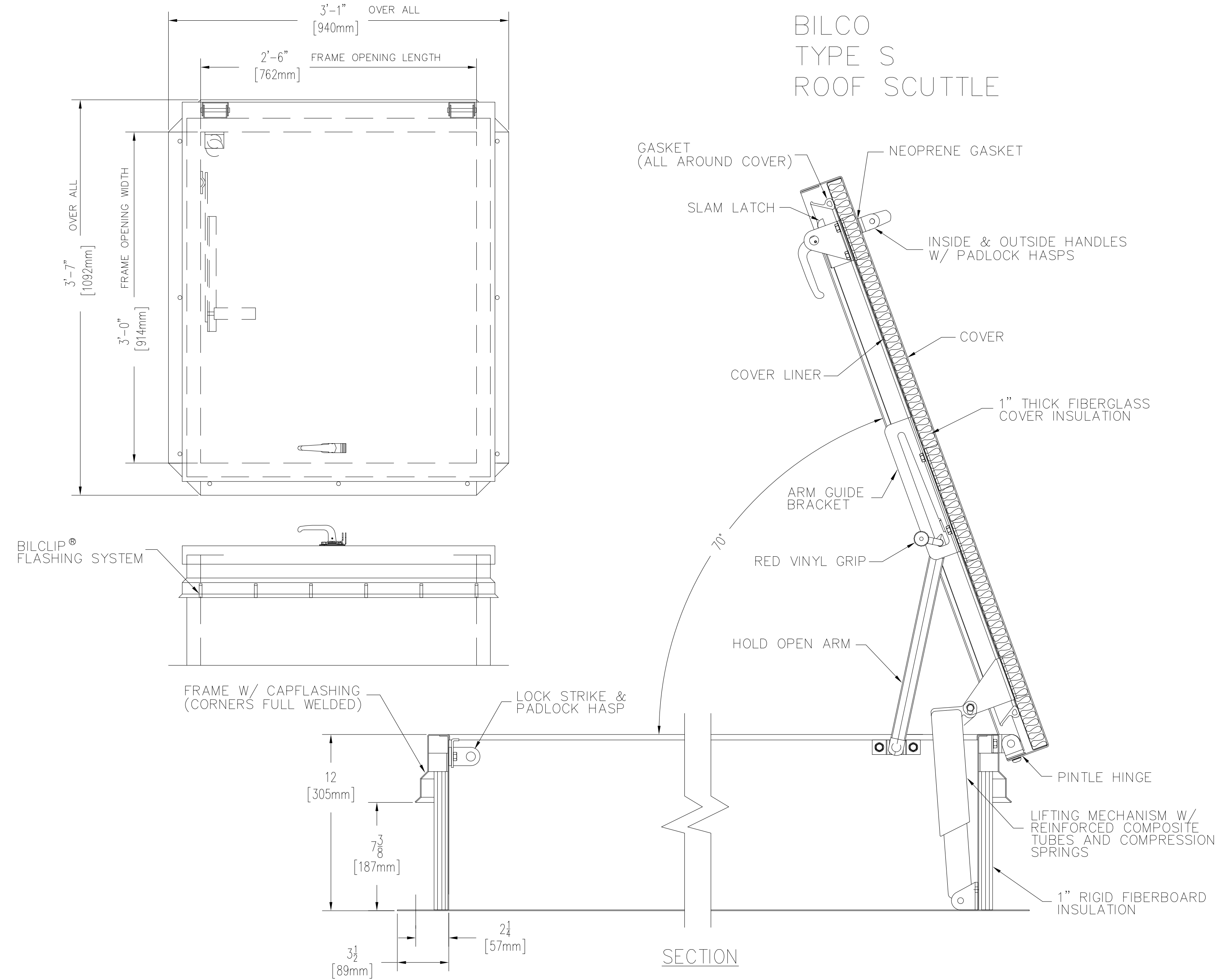


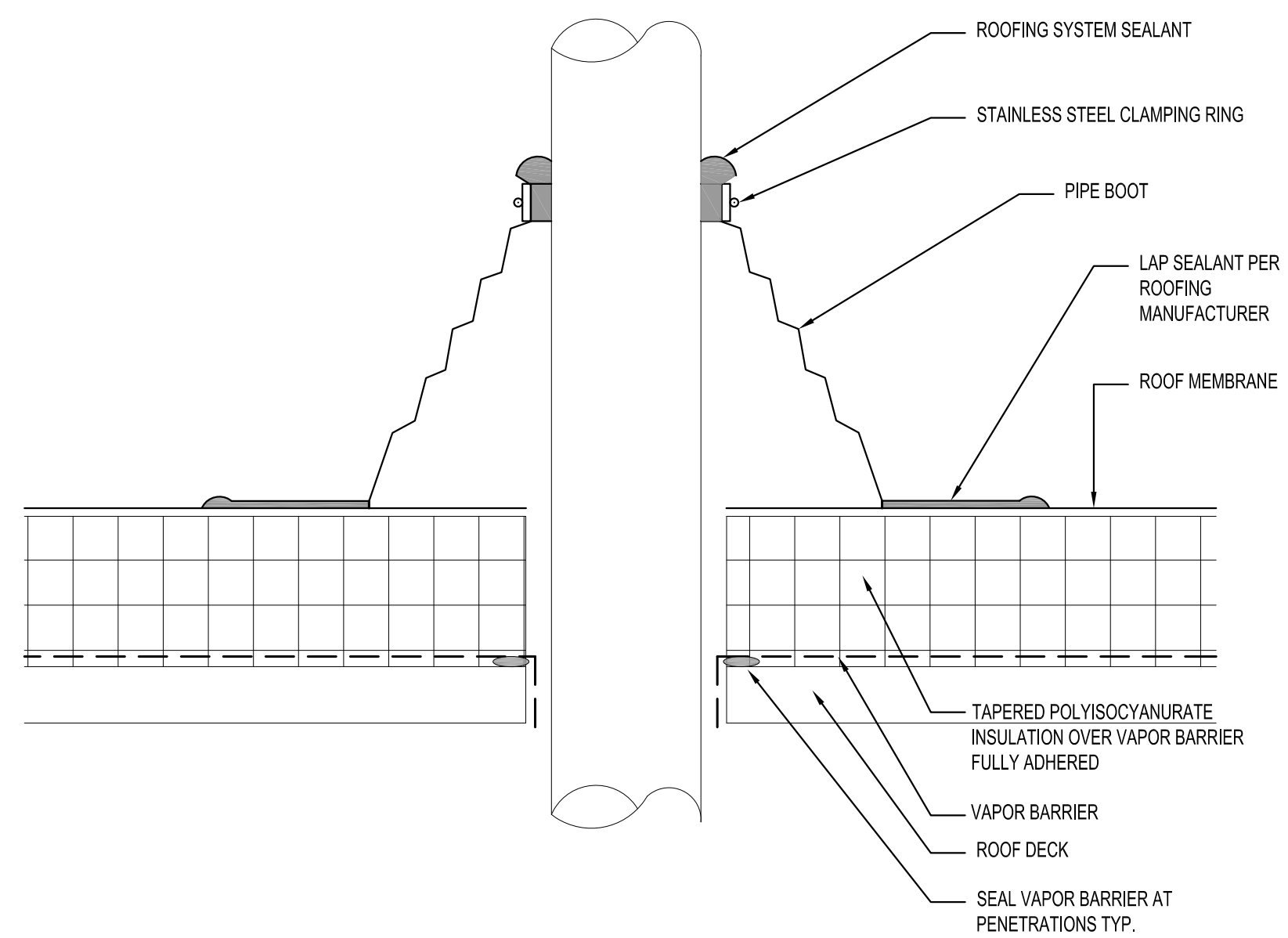
4 ROOF HATCH DETAIL



3 SPECIFIED ROOF HATCH

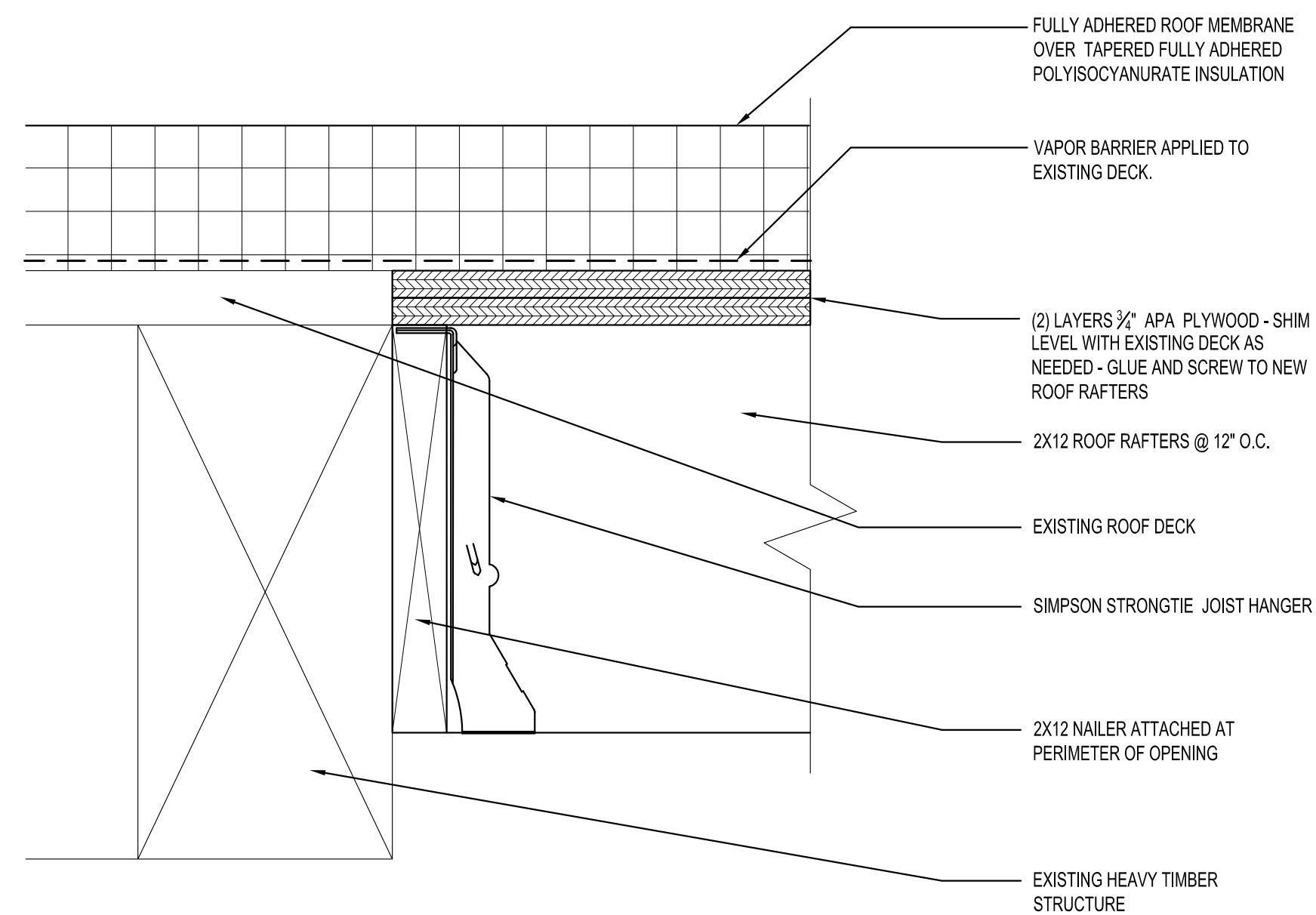
CONTRACTOR MUST VERIFY WITH A.H.J. THIS HATCH MEETS THE CITY REQUIREMENT FOR ACCESS PRIOR TO ORDERING AND INSTALLING.

SCALE: 1 1/2"=1'-0"



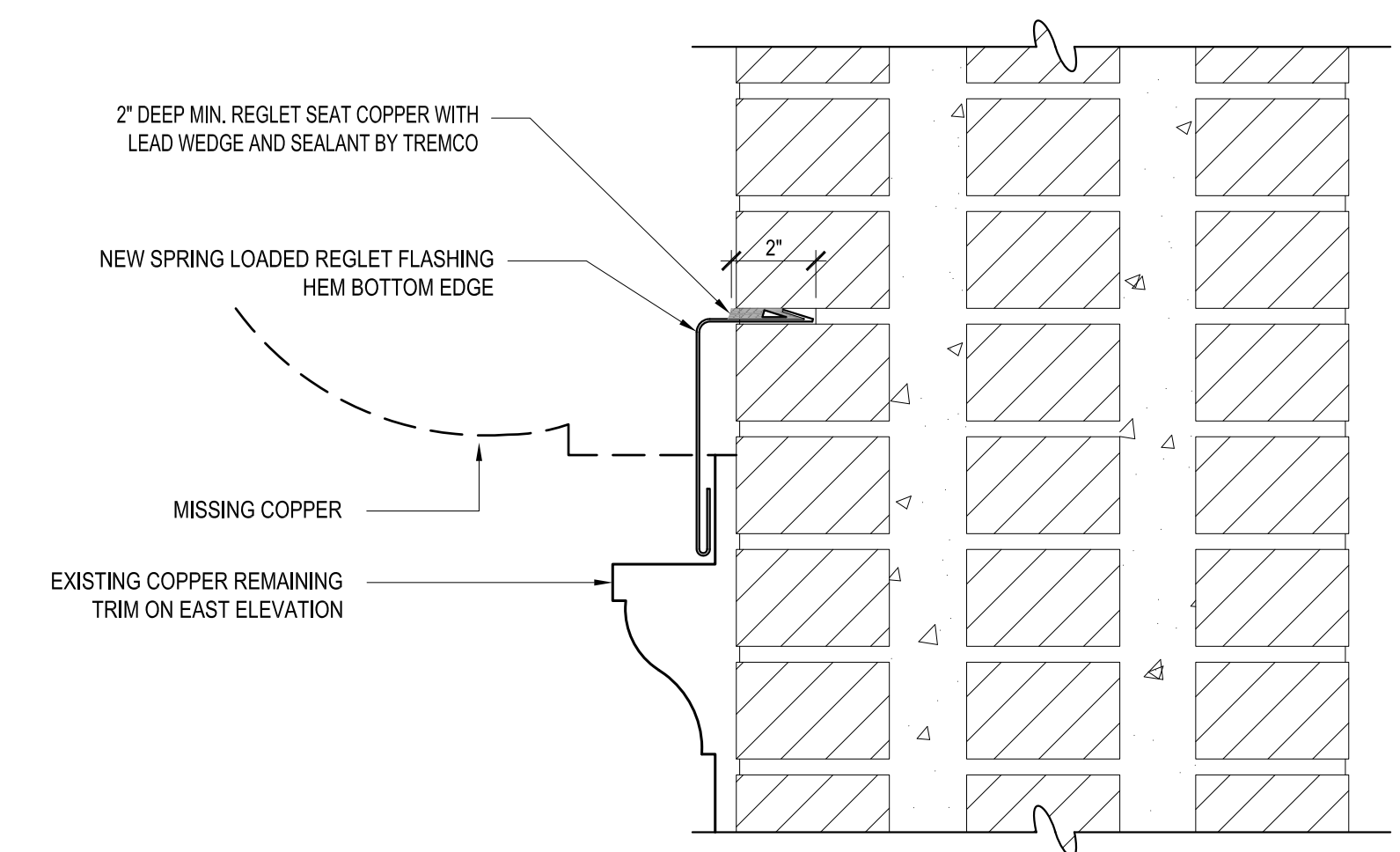
2 TYPICAL PENETRATION

SCALE: 3"=1'-0"



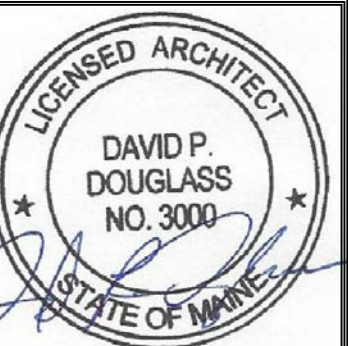
1 HATCH INFILL AREA

SCALE: 3"=1'-0"



5 COPPER FLASHING DETAIL

SCALE: 3"=1'-0"



Prepared For:
GORHAM SAVINGS BANK
10 WENTWORTH DRIVE
GORHAM, ME 04038

Consultant:
Building Envelope Specialists
1111 BOSTON STREET, SUITE 100, PORTLAND, MAINE 04108
PHONE: 207-480-0096

Architect:
ARCHETYPE architects
48 Union Wharf Portland, Maine 04101
(207) 772-6022 ARCHETYPE@ARCHETYPEPA.COM

Project:
GRAND TRUNK BUILDING
1 LINDA STREET
PORTLAND, ME

Revisions:

Date: MAR 10 2016
Scale: As indicated

ROOF DETAILS

BE14