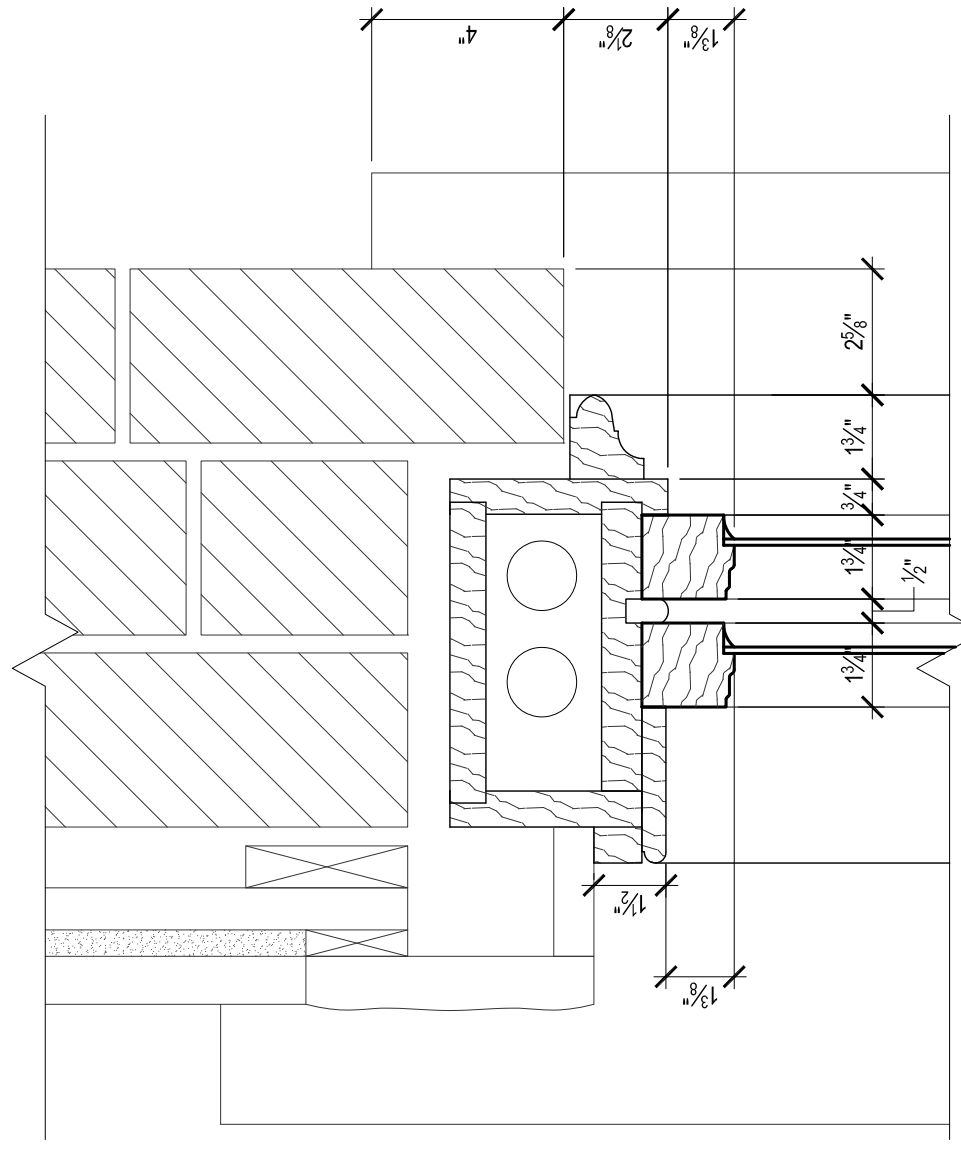
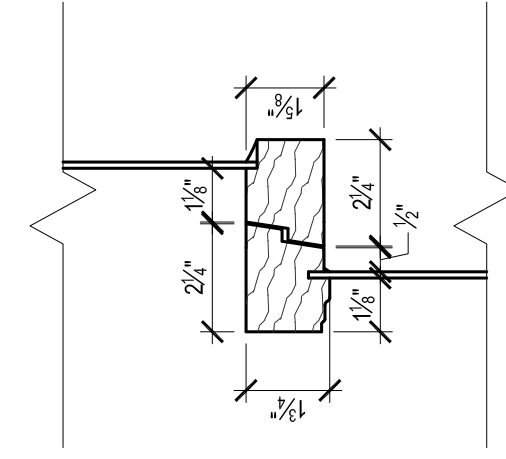


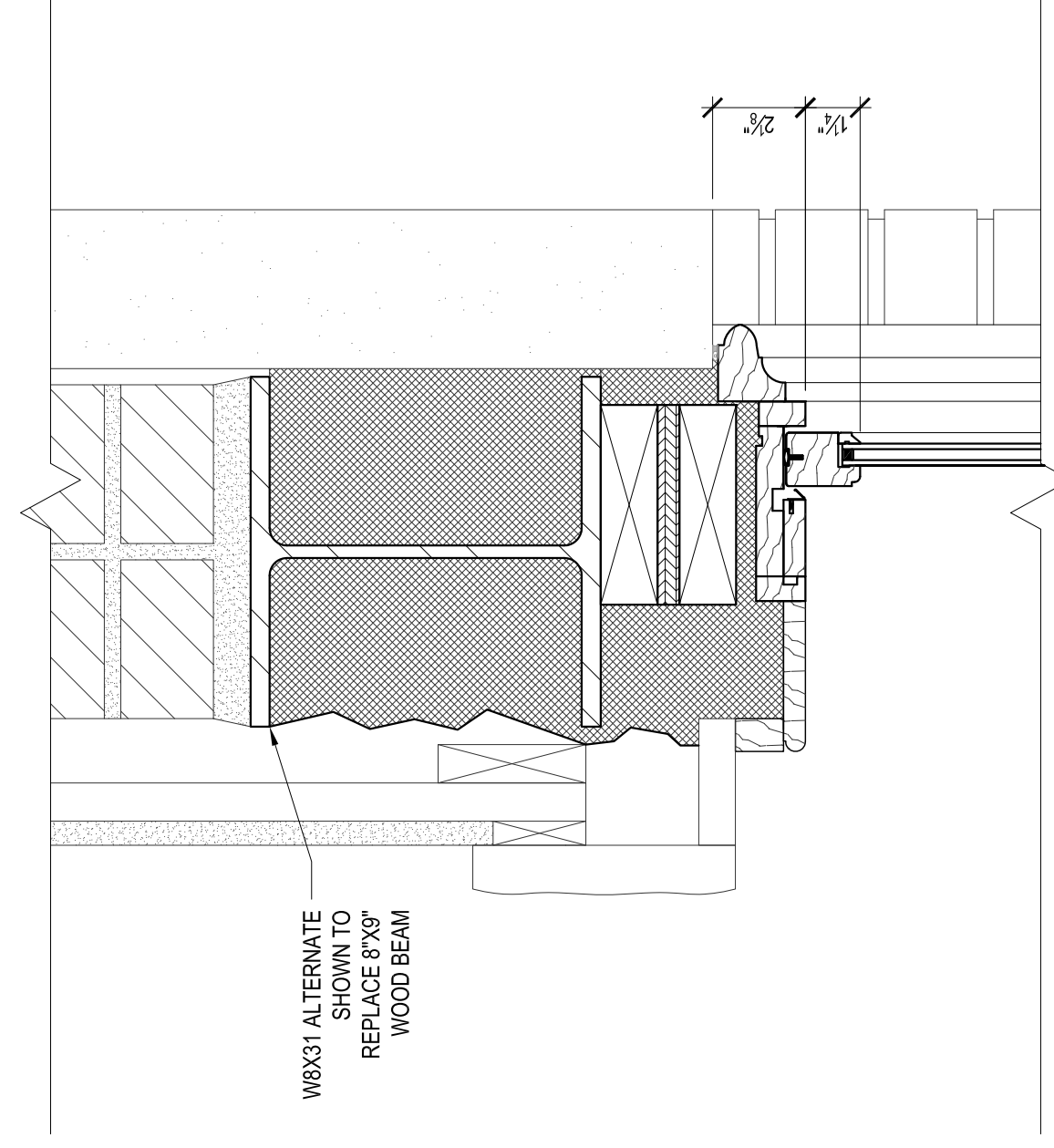
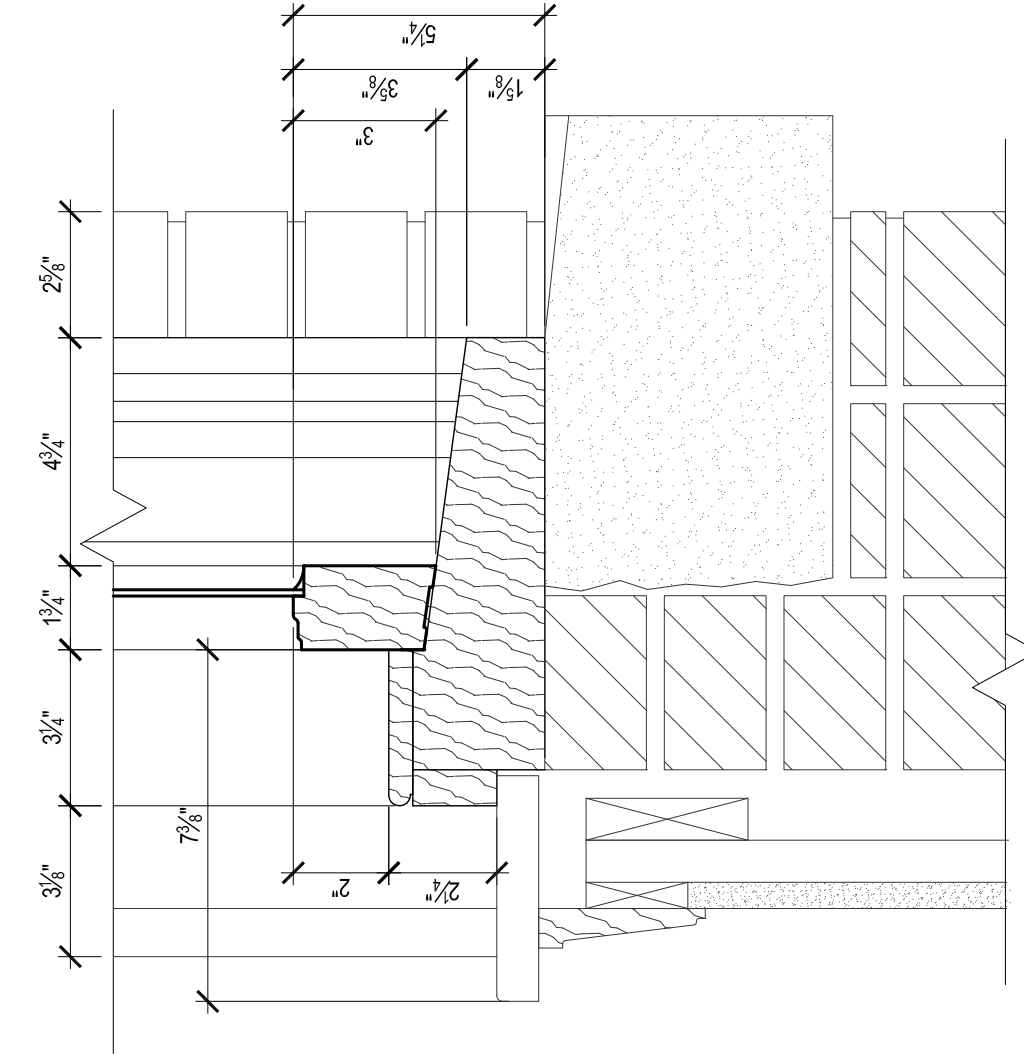
WINDOW HEAD



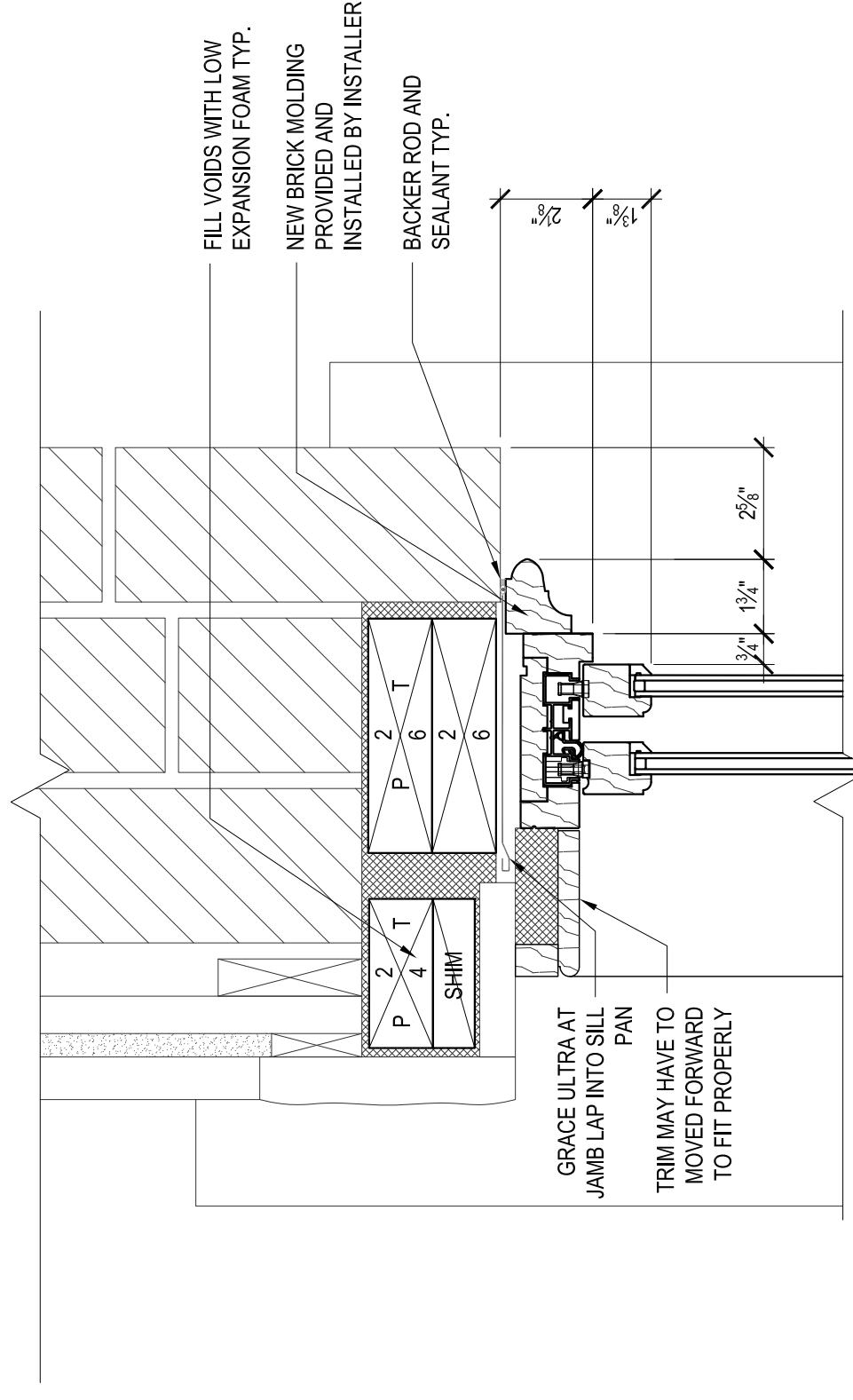
JAMB



MEETING RAIL

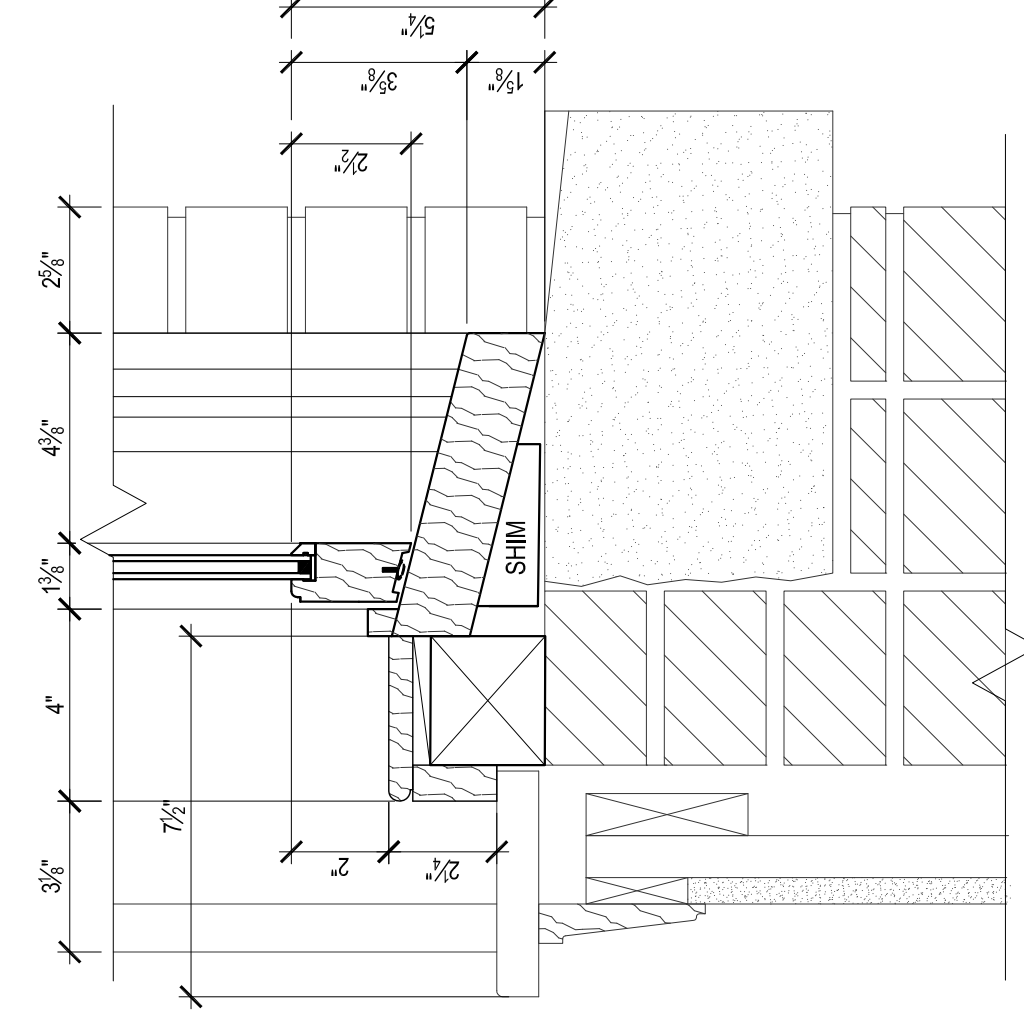
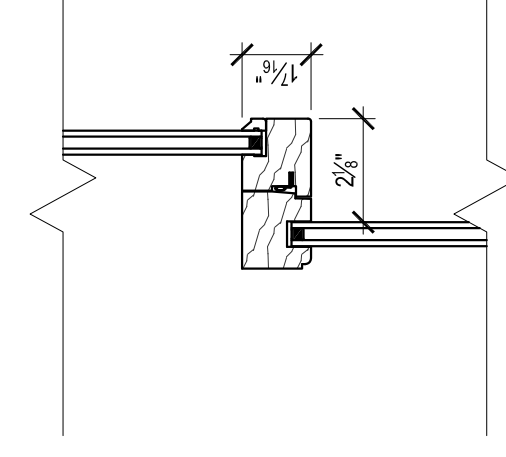


WBX31 ALTERNATE  
SHOWN TO  
REPLACE 6\"/>



FILL VOIDS WITH LOW  
EXPANSION FOAM TYP.  
NEW BRICK MOLDING  
PROVIDED AND  
INSTALLED BY INSTALLER  
BACKER ROD AND  
SEALANT TYP.

GRACE ULTRA AT  
JAMB LAP INTO SILL  
PAIN  
TRIM MAY HAVE TO  
MOVED FORWARD  
TO FIT PROPERLY



2 EXISTING THIRD FLOOR WINDOW DETAILS

SCALE: 3/8"=1'-0"

Date: MAR 10 2016

Scale: As indicated

SECONDFLOOR  
WINDOW DETAILS

Revisions:

Project: GRAND TRUNK BUILDING

1 INDIA STREET  
PORTLAND, ME

Architect:

**ARCHETYPE**  
architects  
48 Union Wharf Portland, Maine 04101  
(207) 772-6027 ARCHETYPE@ARCHETYPEPA.COM

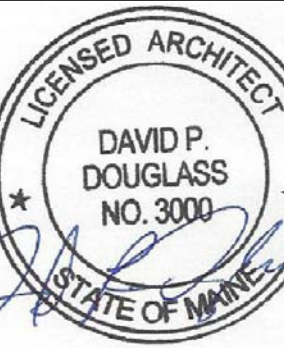
Consultant:

**Building Envelope Specialists**  
PO BOX 28897 SOUTH PORTLAND, MAINE 04118  
PHONE: 207-880-0086

Prepared For:

**GORHAM SAVINGS BANK**  
10 WENTWORTH DRIVE  
GORHAM, ME 04038

SCALE: 3/8"=1'-0"



1 NEW THIRD FLOOR WINDOW DETAILS

**BE9**