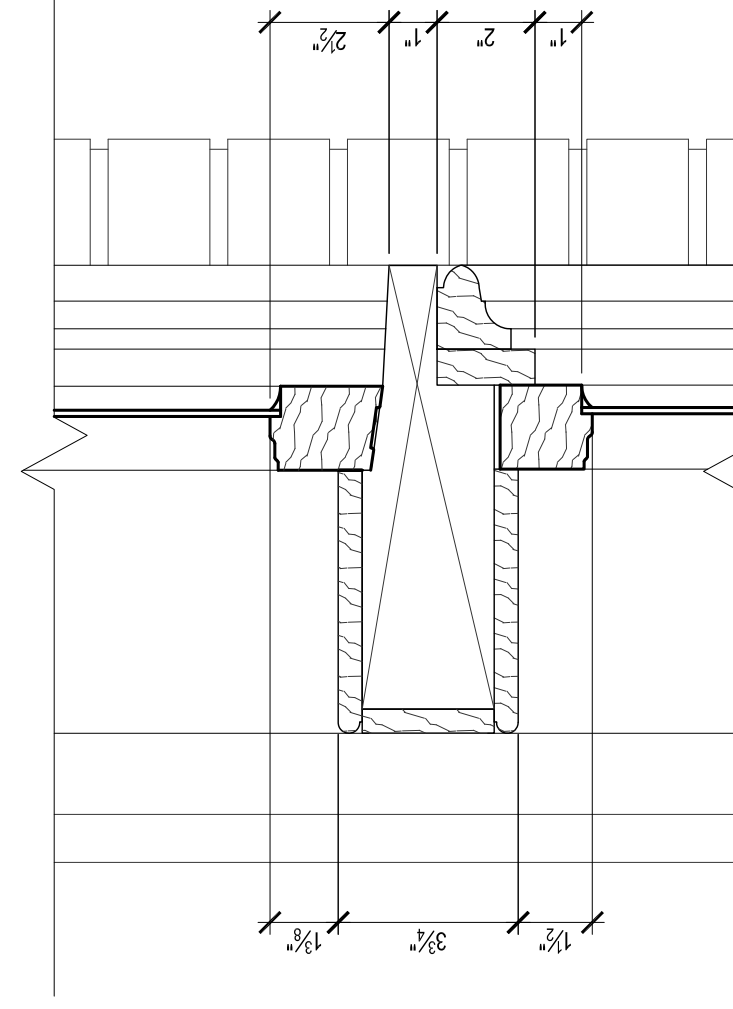
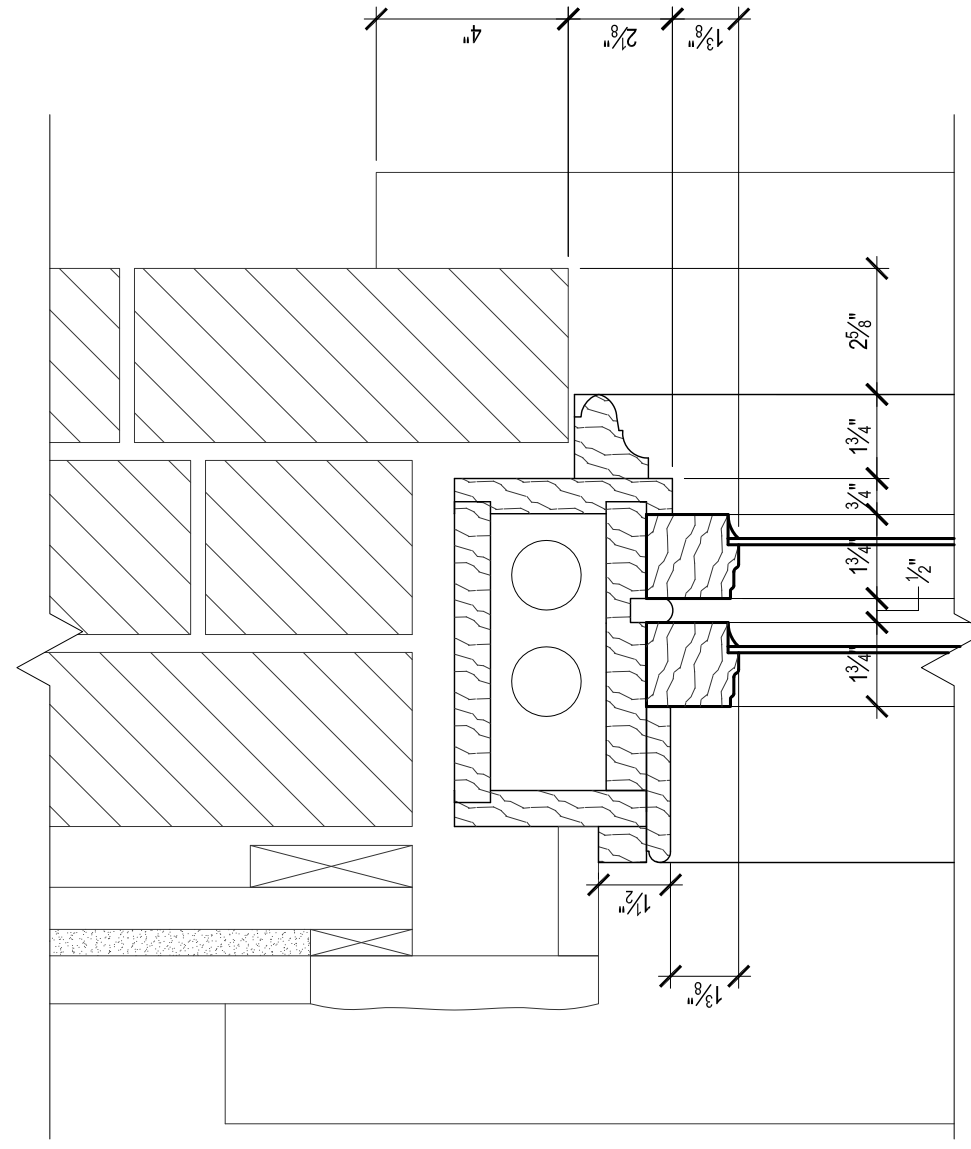


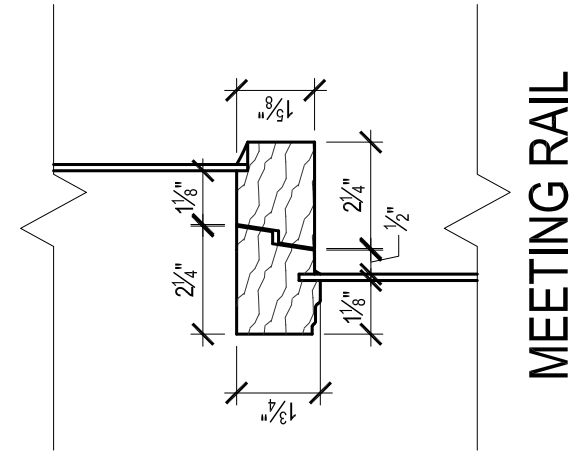
TRANSOM HEAD



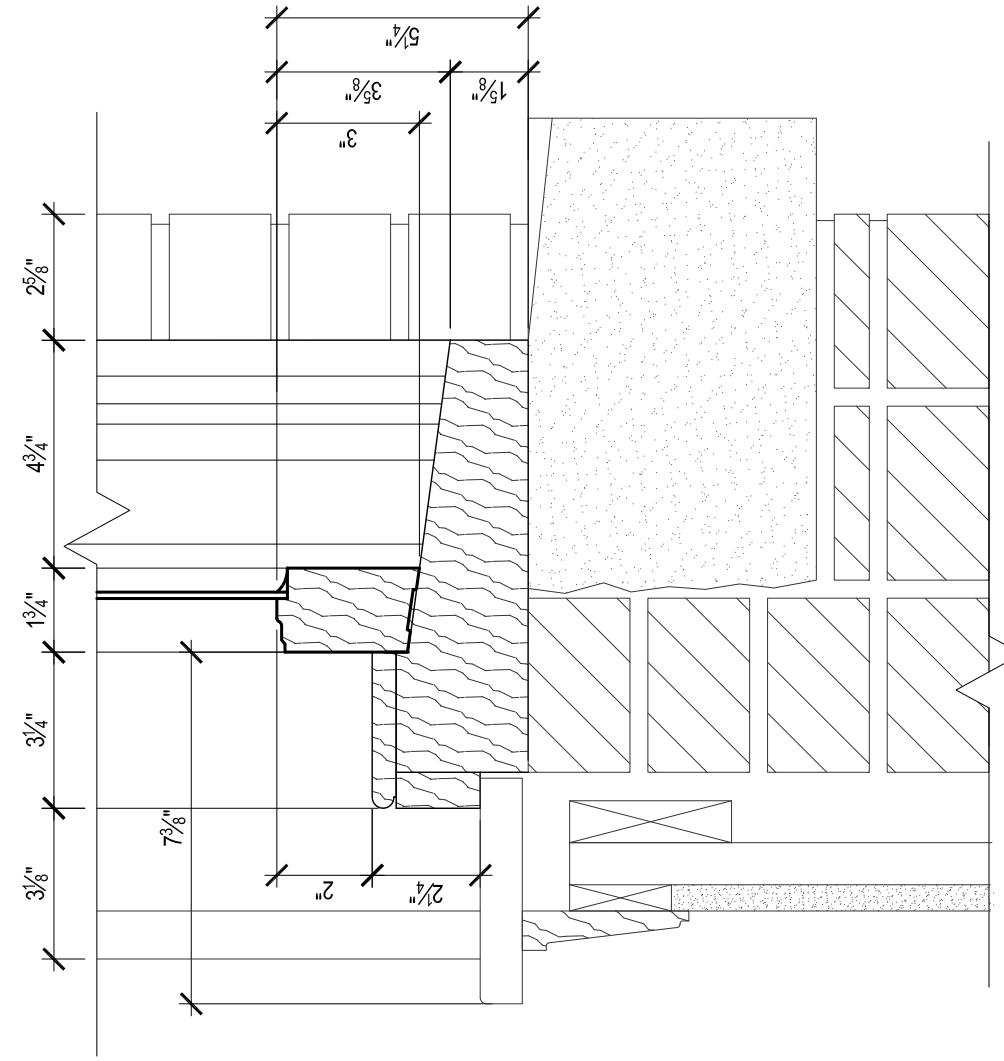
HEAD AT TRANSOM



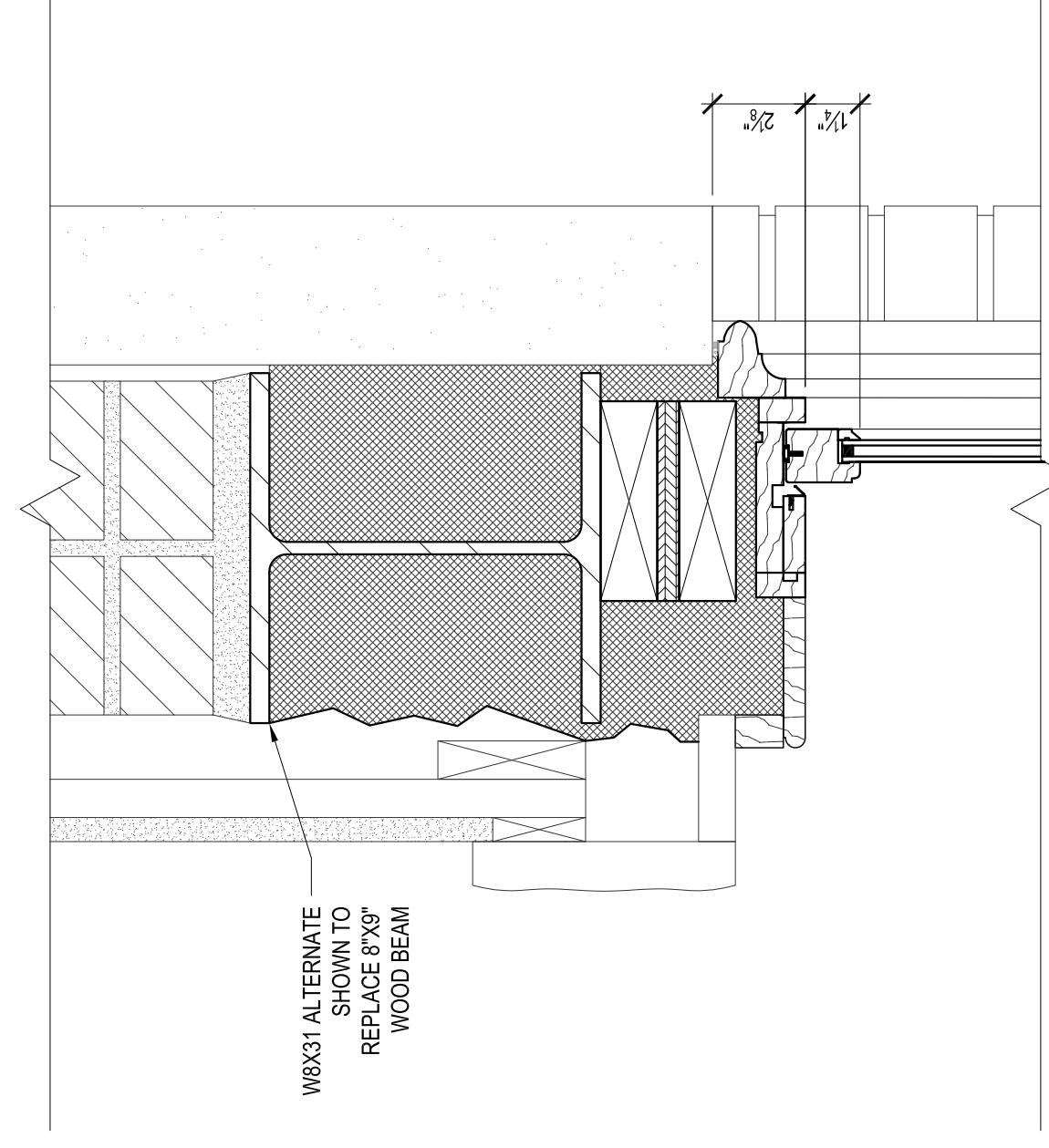
JAMB



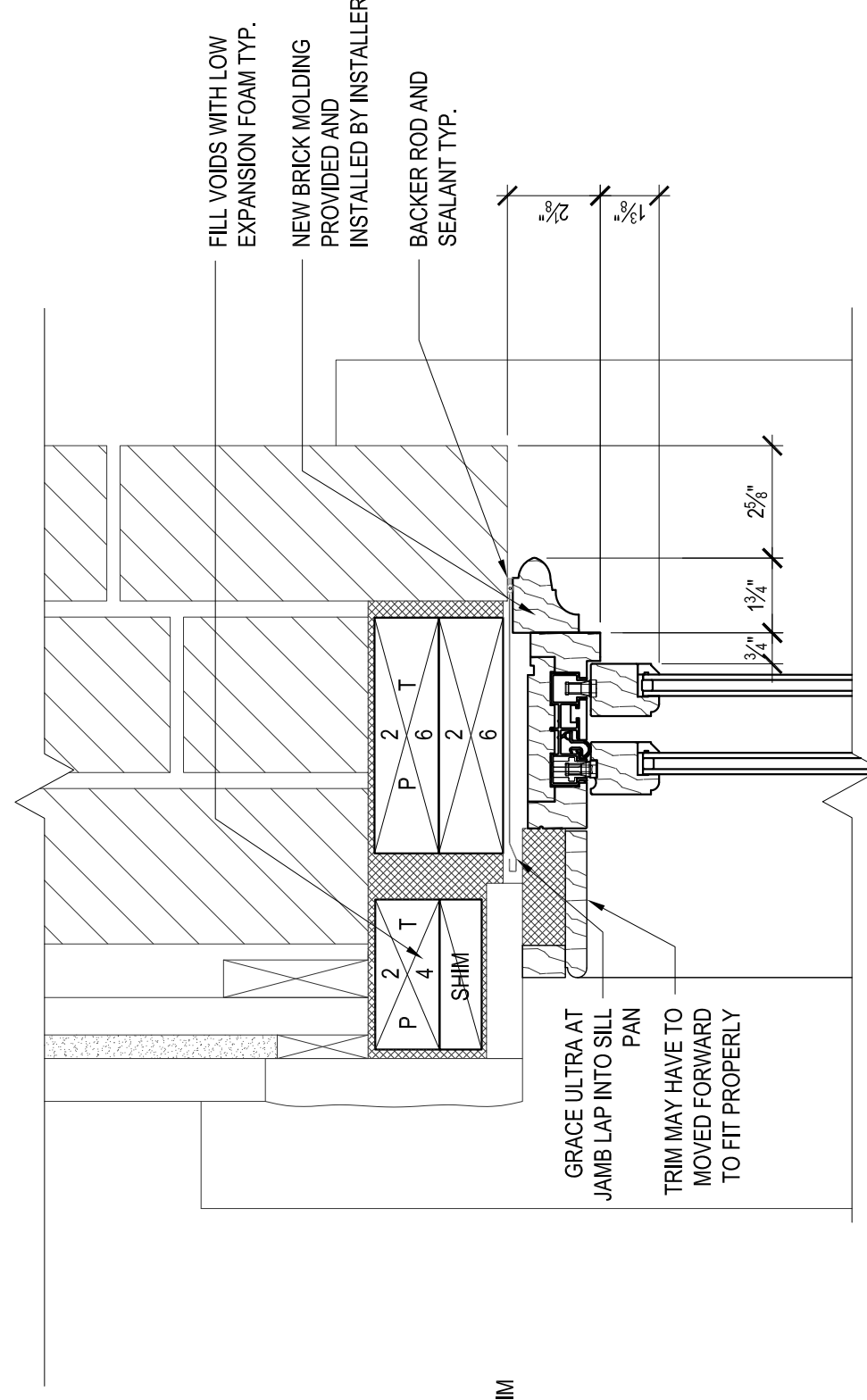
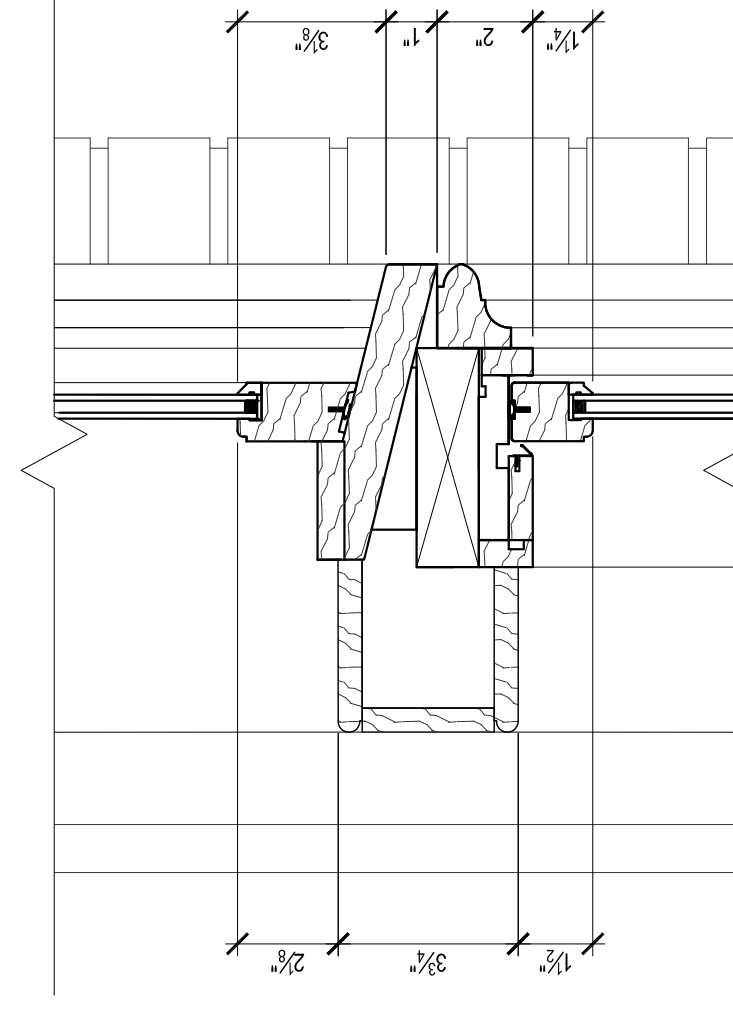
MEETING RAIL



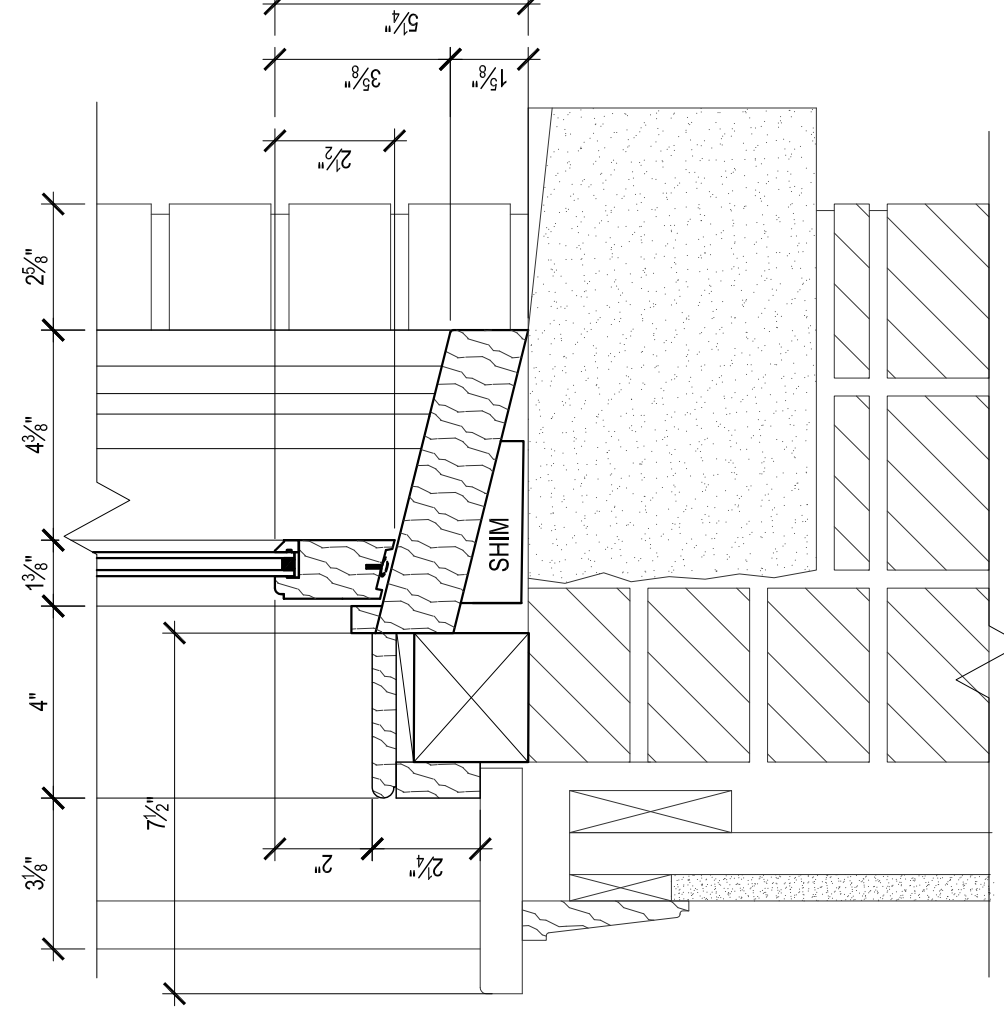
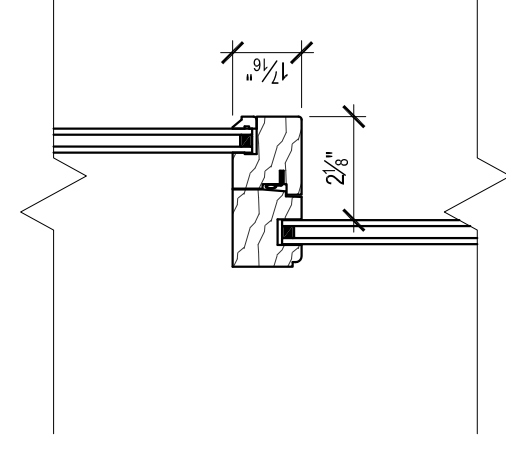
SILL



W8X31 ALTERNATE
SHOWN TO
REPLACE 8X8"
WOOD BEAM



EXISTING JAMB TRIM



2 EXISTING SECOND FLOOR WINDOW DETAILS

SCALE: 3/8"=1'-0"

Date: MAR 10 2016

Scale: As indicated

SECOND FLOOR
WINDOW DETAILS

Revisions:

Project:
GRAND TRUNK
BUILDING

1 LINDA STREET
PORTLAND, ME

Architect:

ARCHETYPE
architects
48 Union Wharf Portland, Maine 04101
(207) 772-6023 ARCHETYPE@ARCHETYPEPA.COM

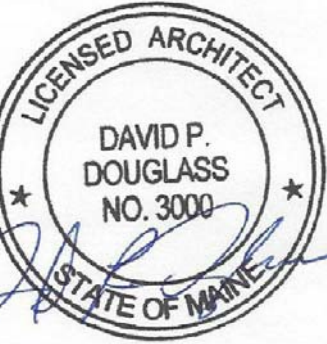
Consultant:

Building Envelope Specialists
P.O. BOX 23895 SOUTH PORTLAND, MAINE 04116
PHONE: 207-800-0086

Prepared For:

**GORHAM
SAVINGS BANK**
10 WENTWORTH DRIVE
GORHAM, ME 04038

SCALE: 3/8"=1'-0"



1 NEW SECOND FLOOR WINDOW DETAILS

BE8