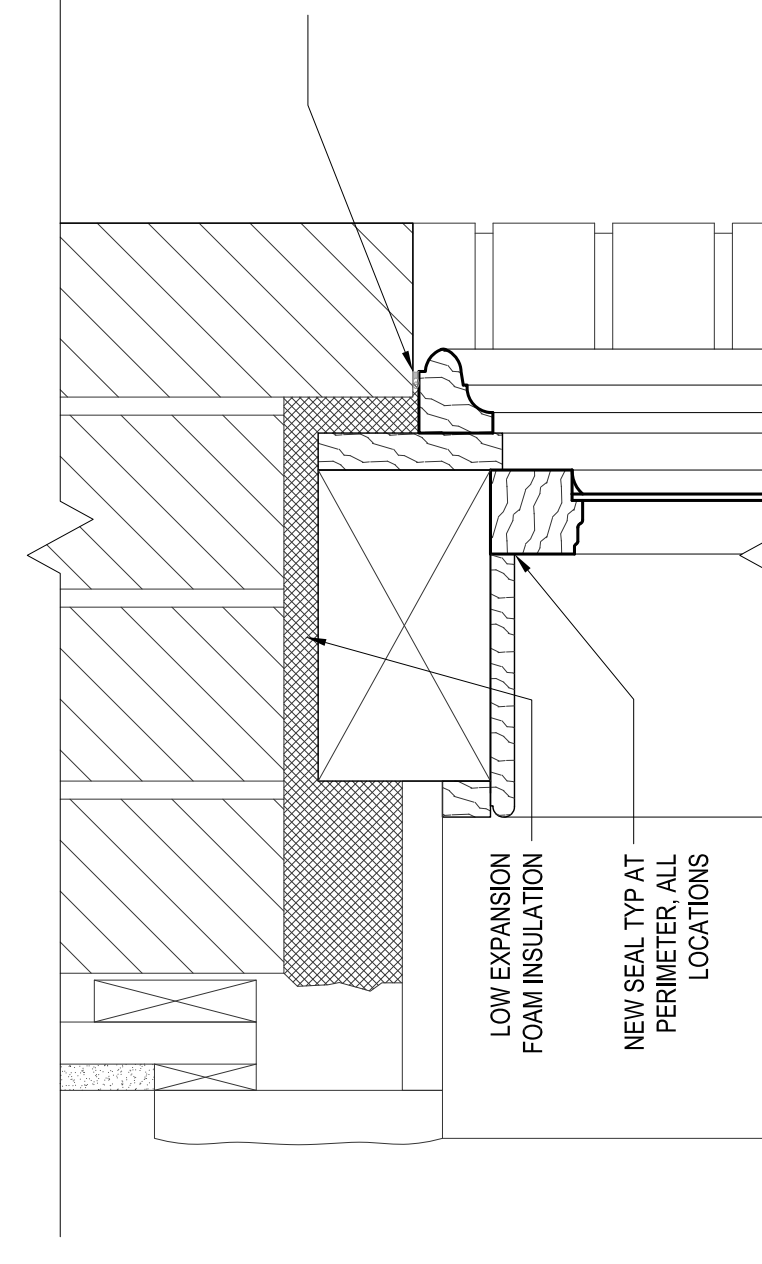
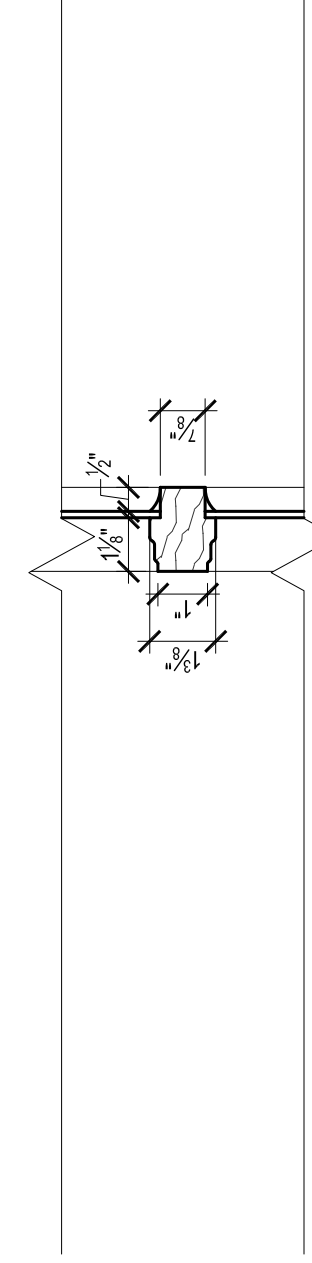
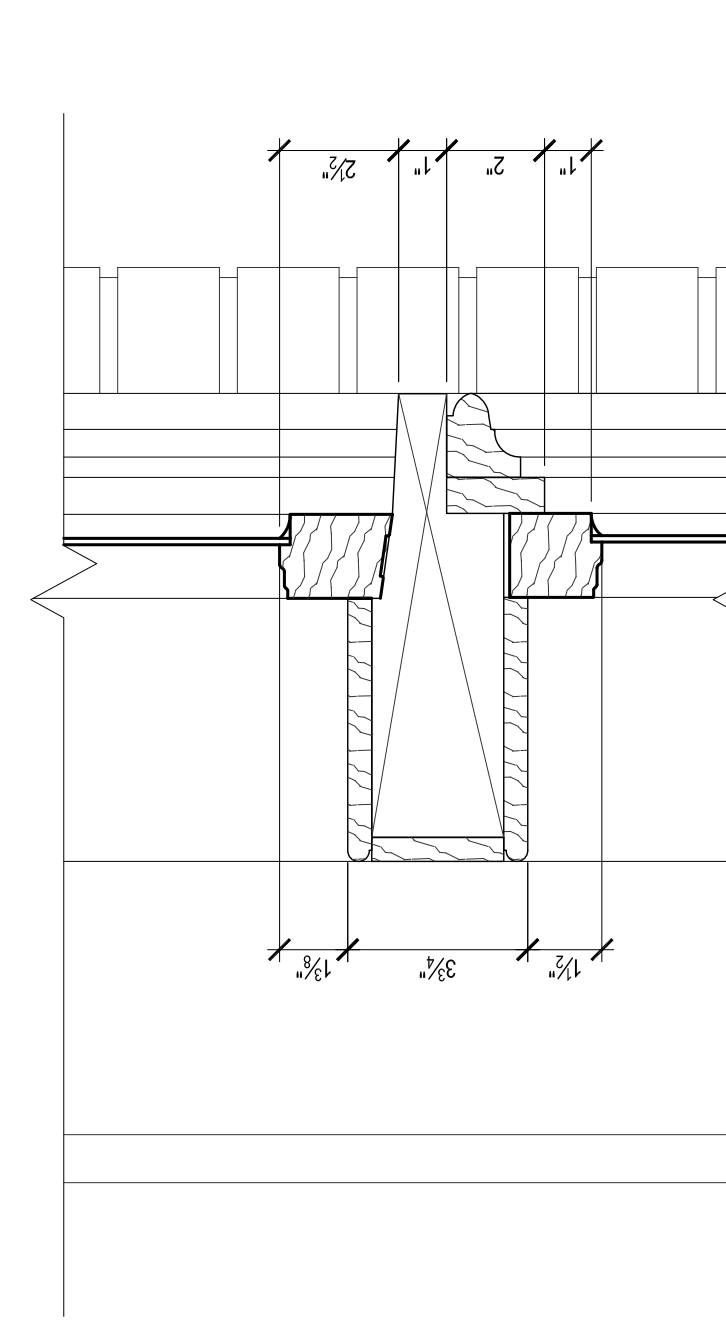


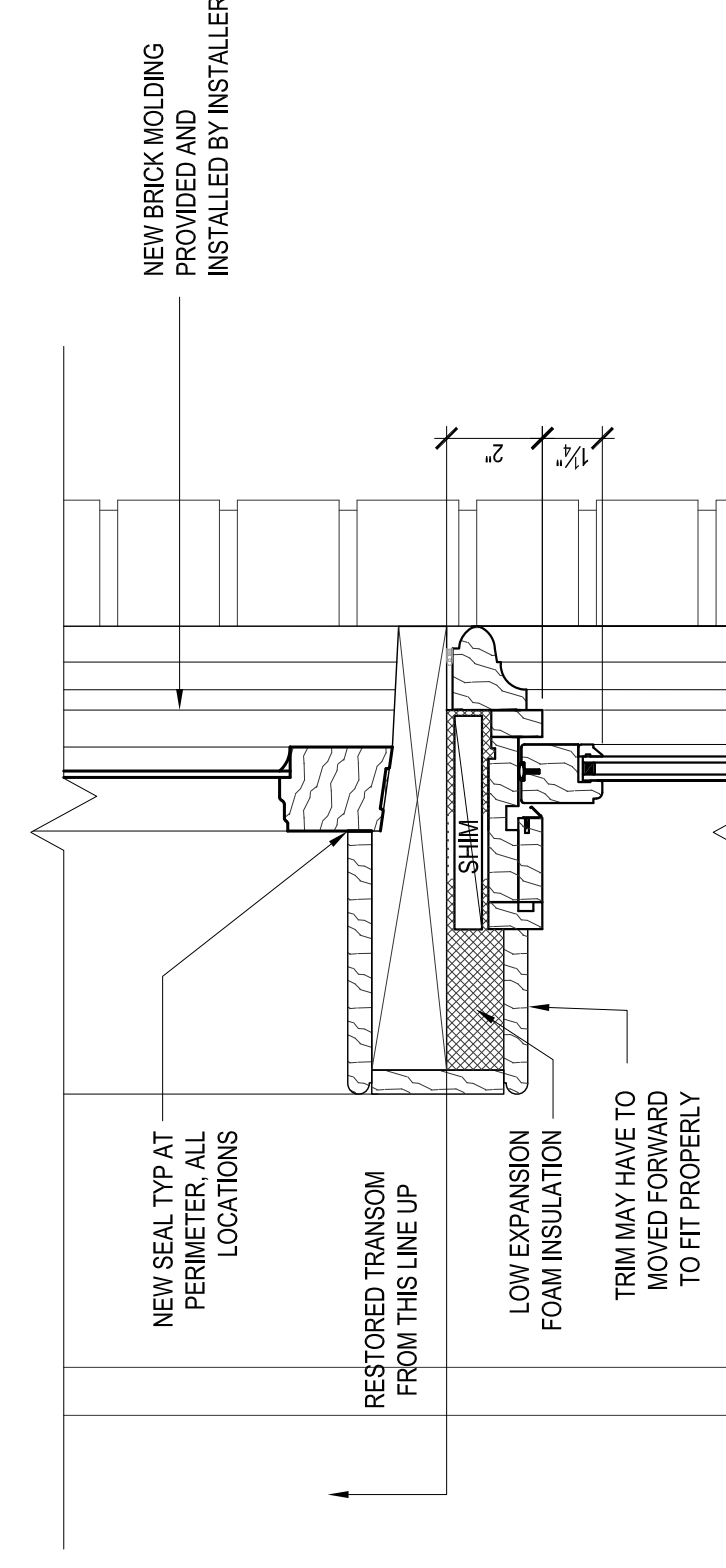
TRANSOM HEAD



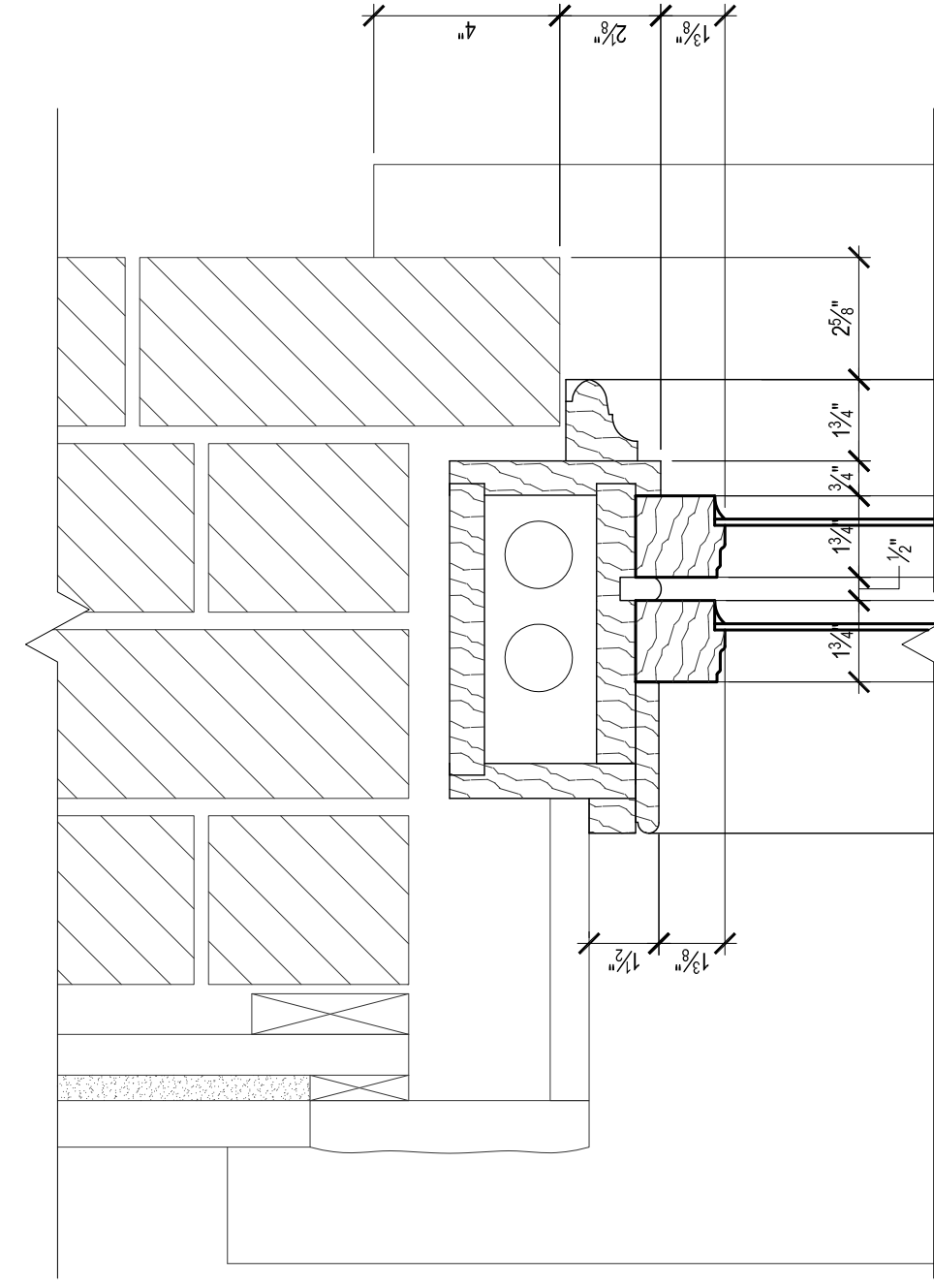
TRANSOM HEAD



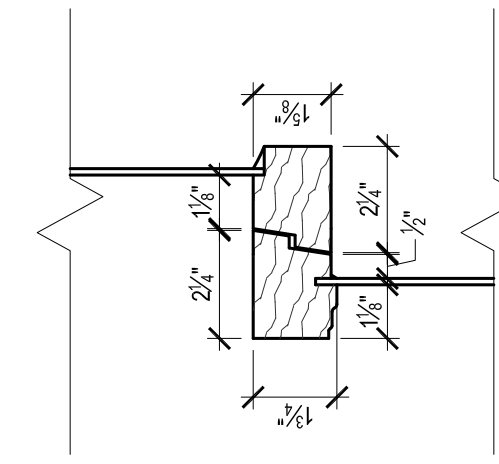
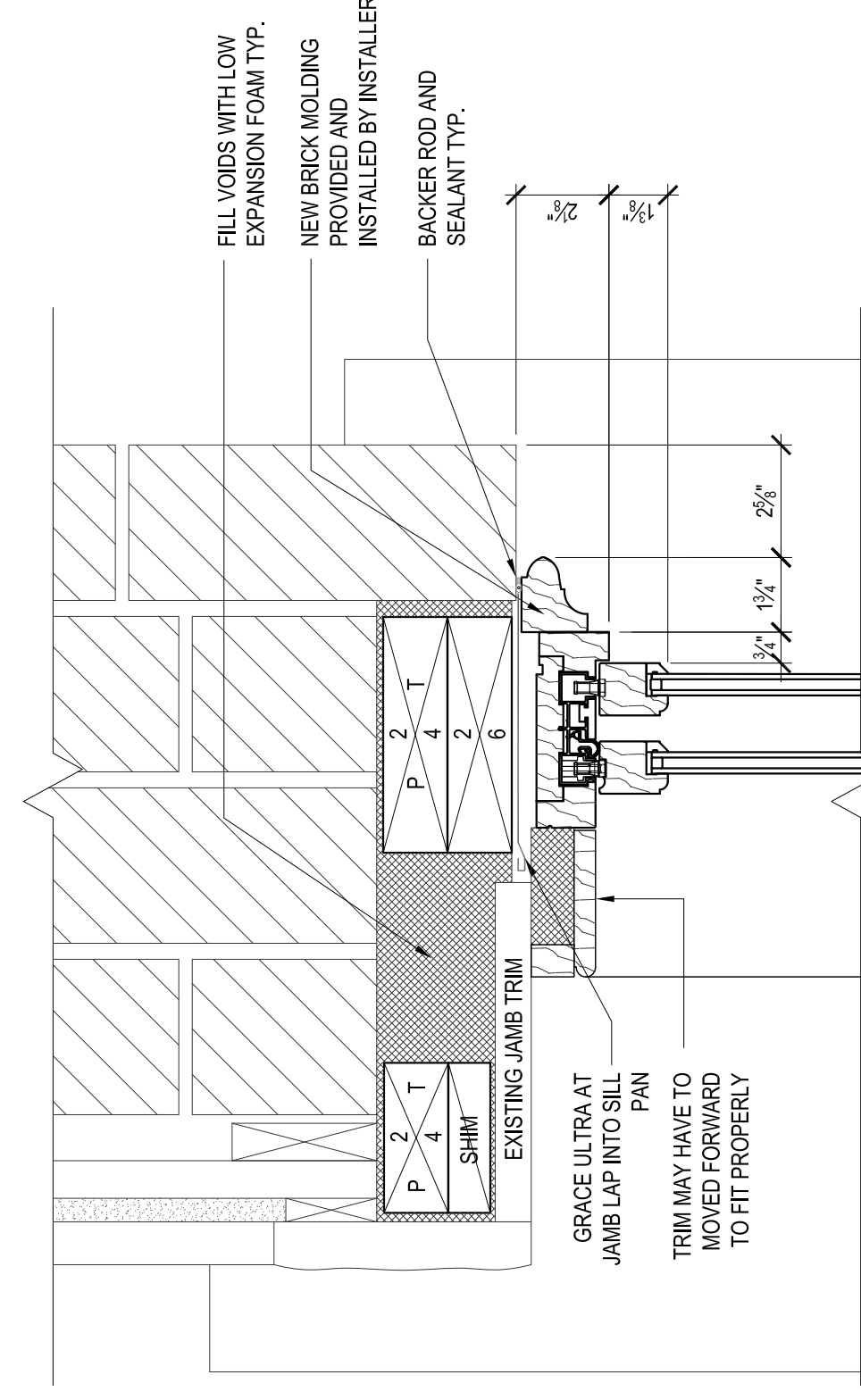
HEAD AT TRANSOM



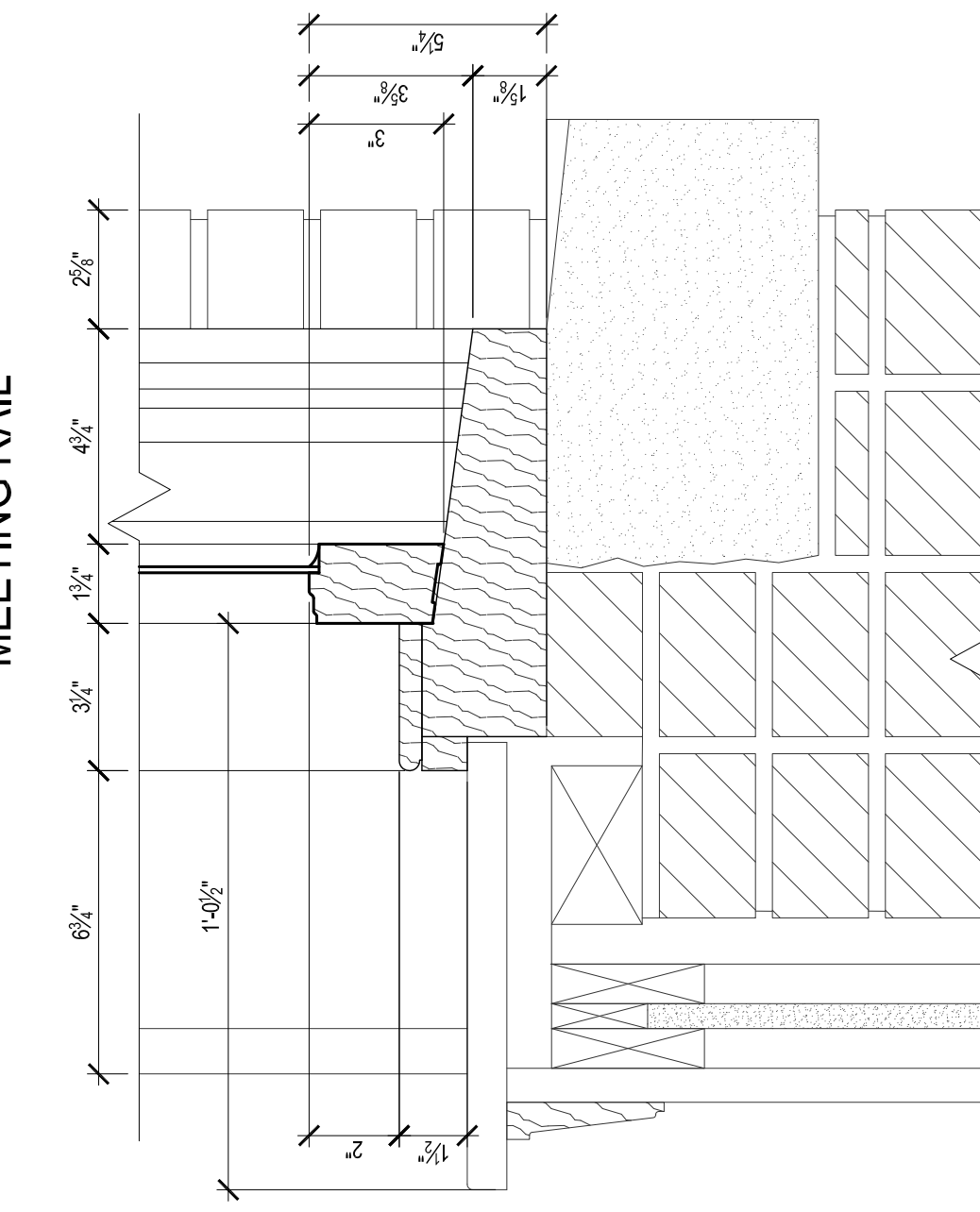
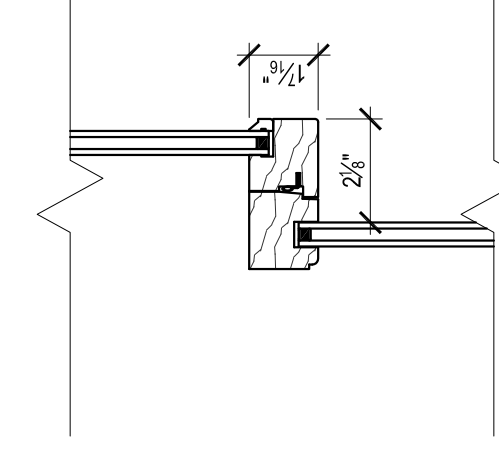
HEAD AT TRANSOM



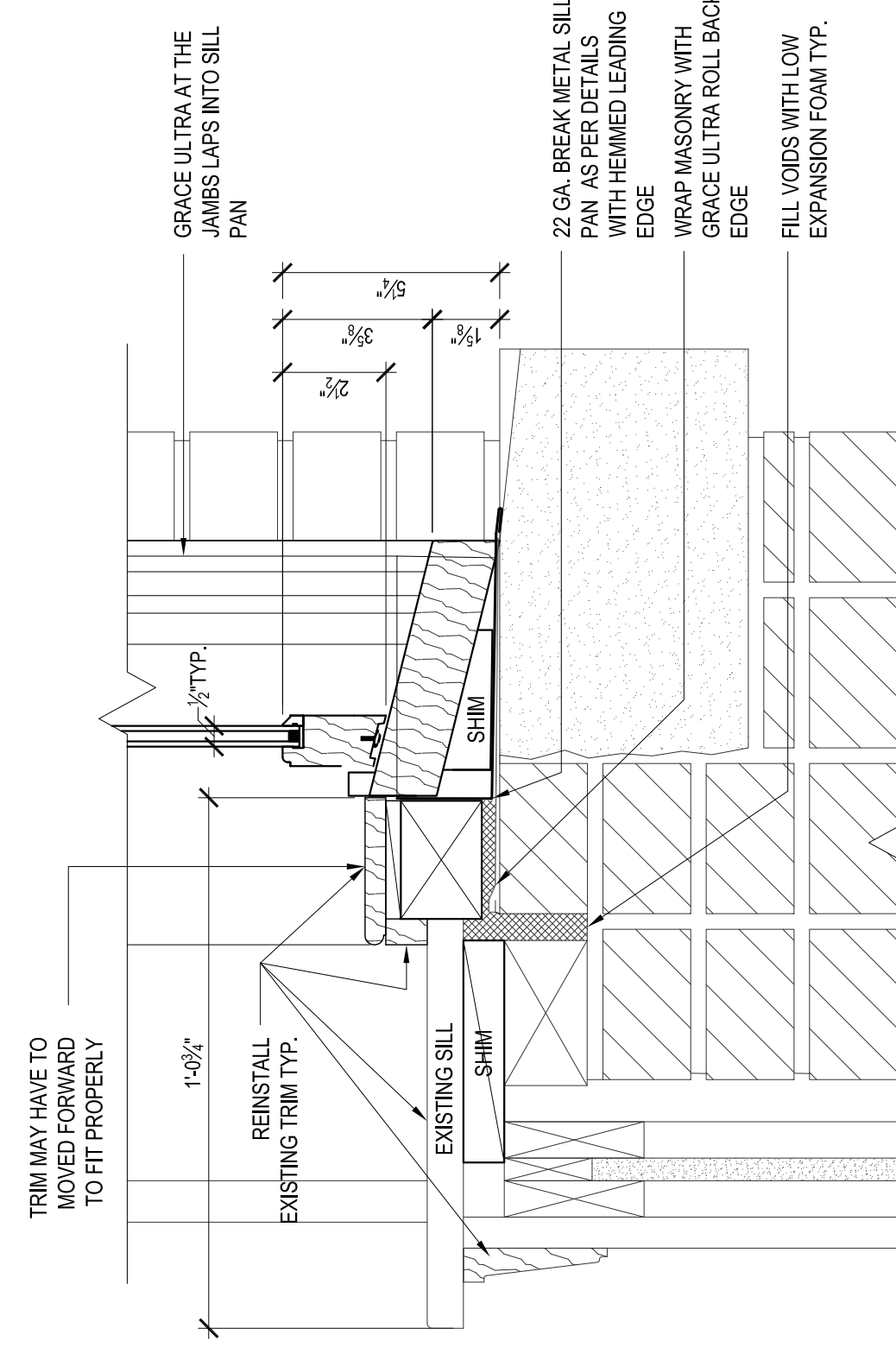
JAMB



MEETING RAIL



SILL



1 EXISTING FIRST FLOOR WINDOW DETAILS

2 NEW FIRST FLOOR WINDOW DETAILS

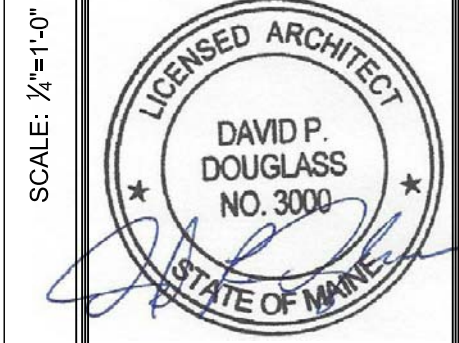
Date:	MAR 10 2016	Scale:	As indicated
Revisions:			
Project:			
GRAND TRUNK BUILDING		Architect:	
1 INDIA STREET PORTLAND, ME		ARCHETYPE architects 48 Union Wharf Portland, Maine 04101 (207) 772-0022 ARCHETYPE@ARCHTYPEPA.COM	

FIRST FLOOR WINDOW DETAILS

Architect: ARCHETYPE architects  
48 Union Wharf Portland, Maine 04101  
(207) 772-0022 ARCHETYPE@ARCHTYPEPA.COM

Consultant: Building Envelope Specialists  
PO BOX 23897 SOUTH PORTLAND MAINE 04116  
PHONE: 207-800-0986

Prepared For: GORHAM SAVINGS BANK  
10 WENTWORTH DRIVE  
GORHAM, ME 04038



SCALE: 1/2"=1'-0"

